



US00D552081S

(12) **United States Design Patent**
Yano

(10) **Patent No.:** **US D552,081 S**
(45) **Date of Patent:** **** Oct. 2, 2007**

(54) **COMBINED SPEAKER BOX AND POWER SUPPLY ADAPTOR**

(75) Inventor: **Ken Yano**, Tokyo (JP)

(73) Assignee: **Sony Corporation**, Tokyo (JP)

(**) Term: **14 Years**

(21) Appl. No.: **29/256,153**

(22) Filed: **Mar. 17, 2006**

(30) **Foreign Application Priority Data**

Oct. 13, 2005 (JP) D2005-029874

(51) **LOC (8) Cl.** **14-01**

(52) **U.S. Cl.** **D14/214; D13/110**

(58) **Field of Classification Search** D14/204,
D14/209-216; D13/110; 181/143-144,
181/147-148, 150, 157, 198-199, 151, 153;
381/300-302, 306, 333, 345, 361-364, 386-388,
381/332, 336

See application file for complete search history.

(56) **References Cited**

U.S. PATENT DOCUMENTS

D368,466 S * 4/1996 Ahn et al. D13/110

D395,888 S * 7/1998 Fenner et al. D14/214

D503,676 S * 4/2005 Krieger et al. D13/110

FOREIGN PATENT DOCUMENTS

JP D995834 S 11/1997

OTHER PUBLICATIONS

Web page "PSP-26SB" file://C:\DOCTIME\1\000092\1\LOCALS\1\Temp\AKKUIXMF.htm, 1 sheet, Princeton (Dec. 2005).

Office Action mailed on Sep. 12, 2006 (Russia).

* cited by examiner

Primary Examiner—Nanda Bondade

(74) *Attorney, Agent, or Firm*—Rader, Fishman & Grauer LLP

(57) **CLAIM**

The ornamental design for a combined speaker box and power supply adaptor, as shown.

DESCRIPTION

FIG. 1 is a perspective view of a combined speaker box and power supply adaptor showing my new design;

FIG. 2 is a front elevational view thereof;

FIG. 3 is a rear elevational view thereof;

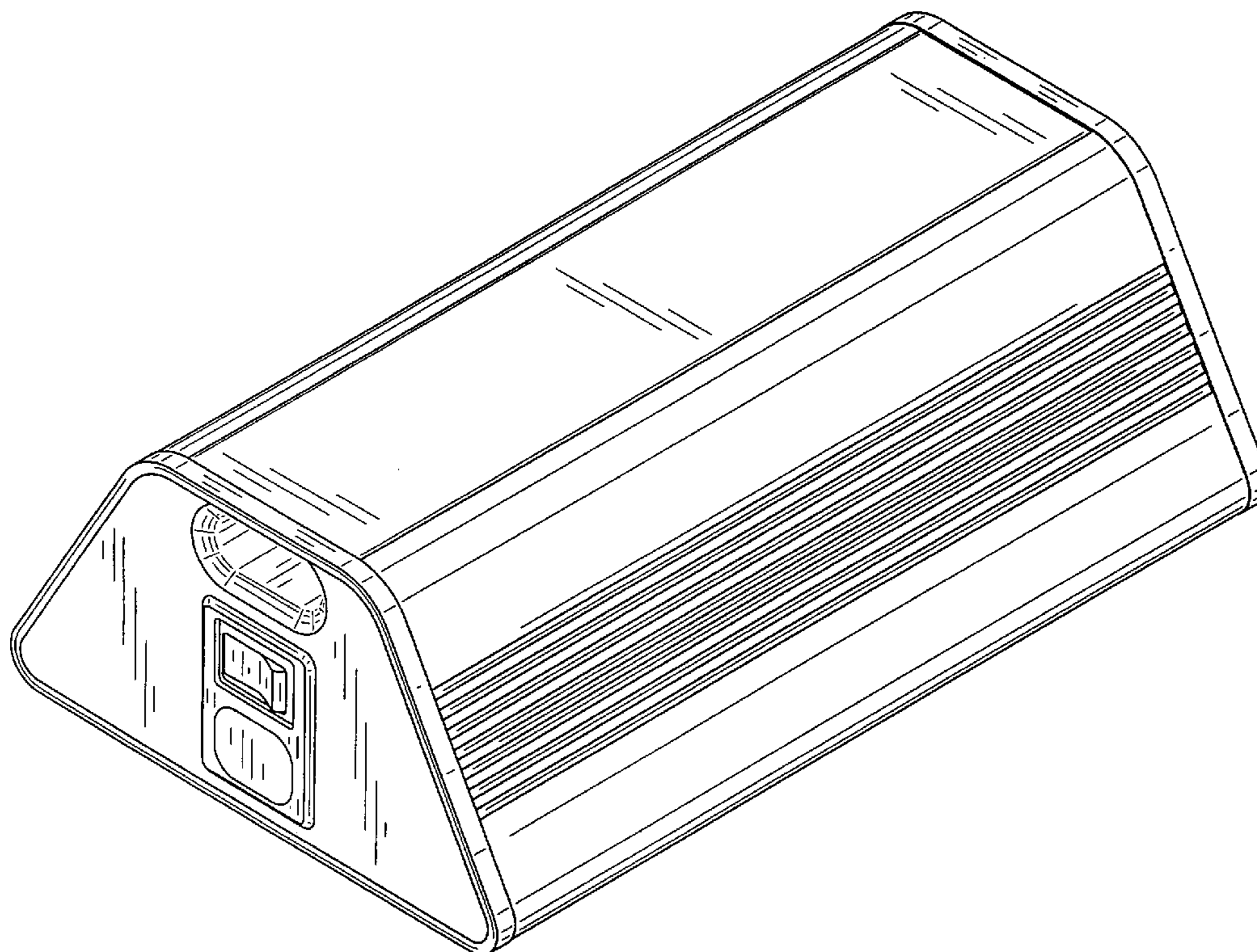
FIG. 4 is a left side elevational view thereof;

FIG. 5 is a right side elevational view thereof;

FIG. 6 is a top plan view thereof; and,

FIG. 7 is a bottom plan view thereof.

1 Claim, 7 Drawing Sheets



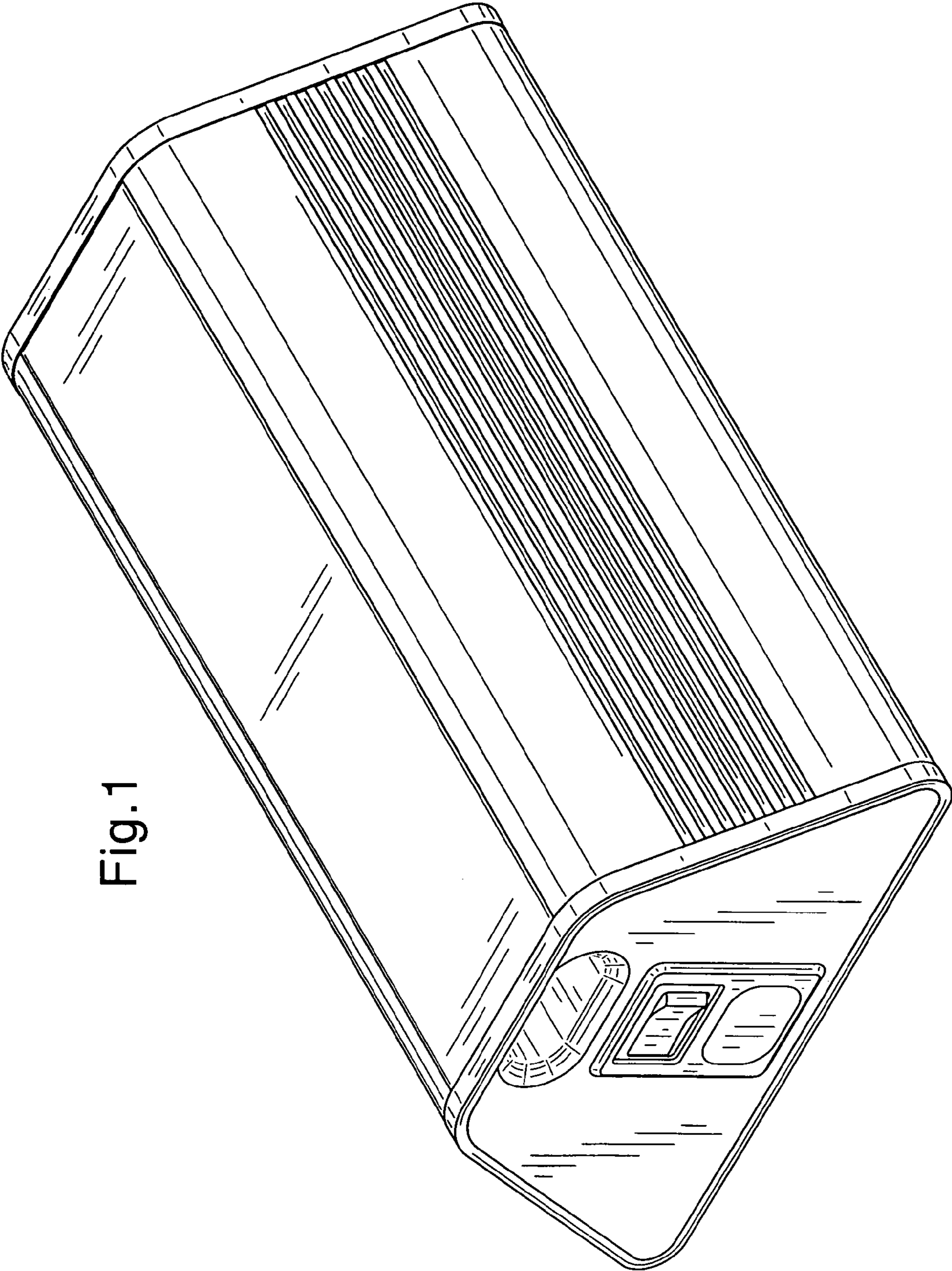


Fig.1

Fig. 2

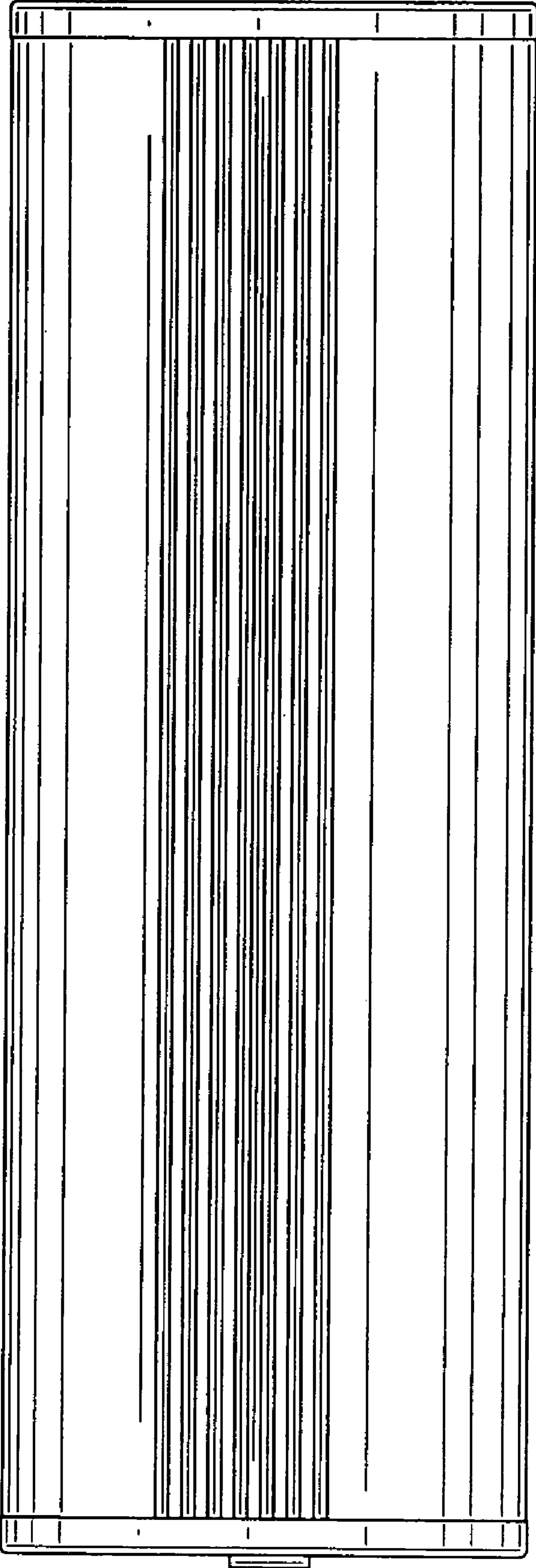


Fig. 3

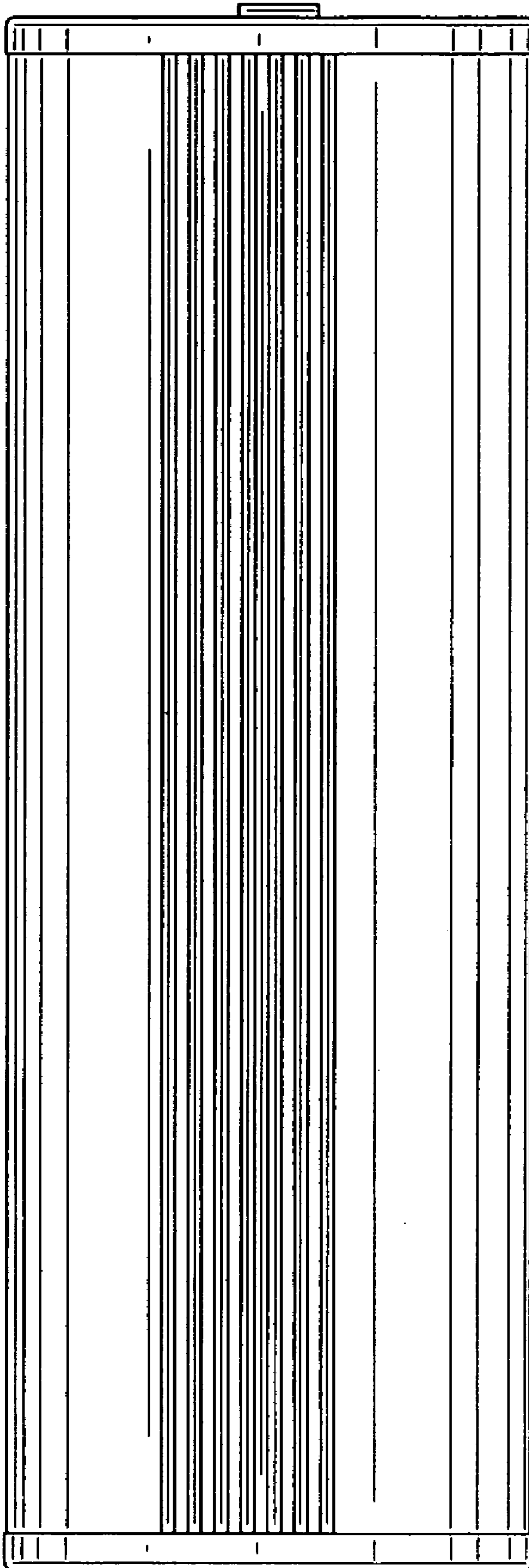


Fig. 4

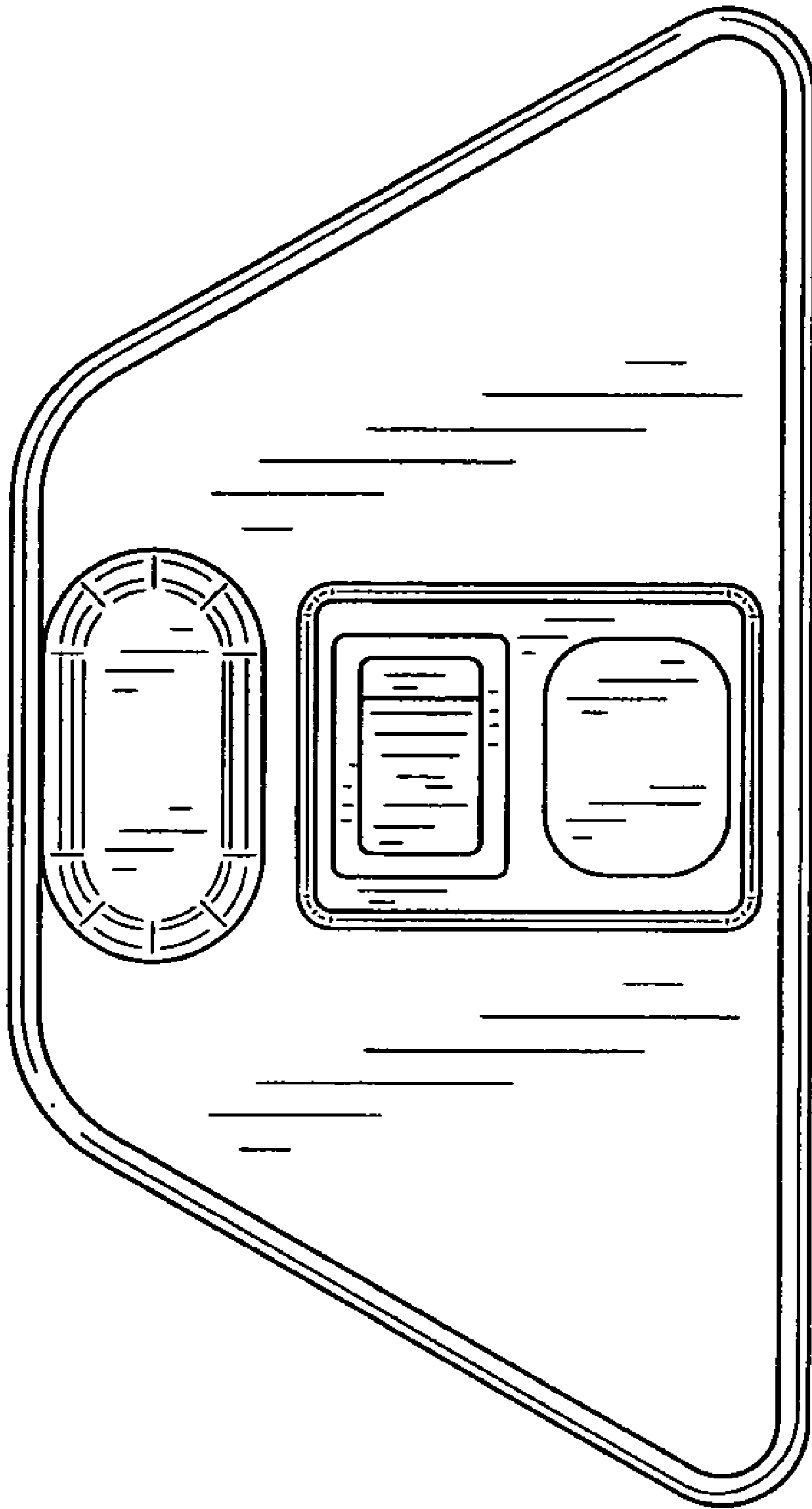


Fig. 5

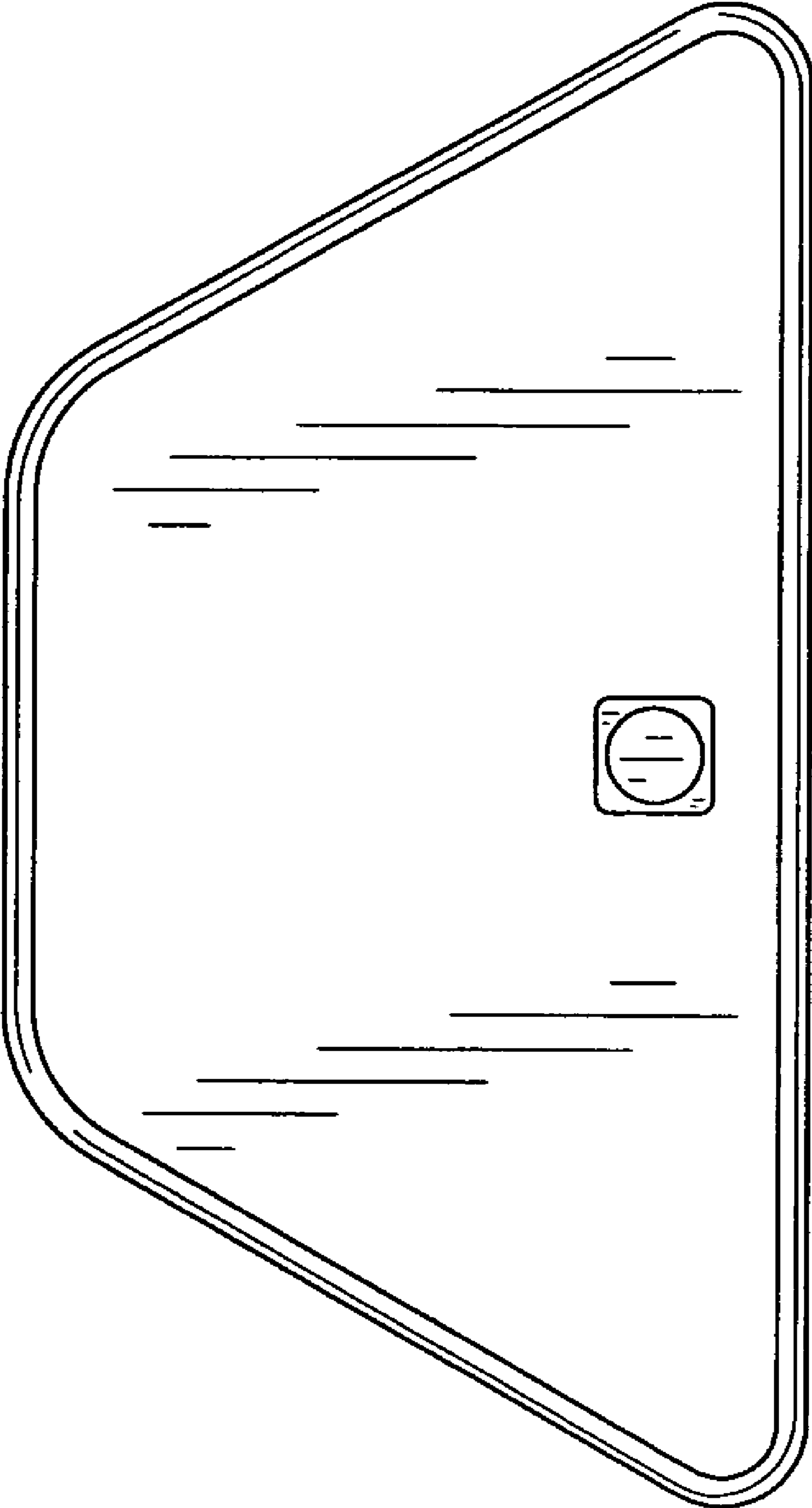


Fig. 6

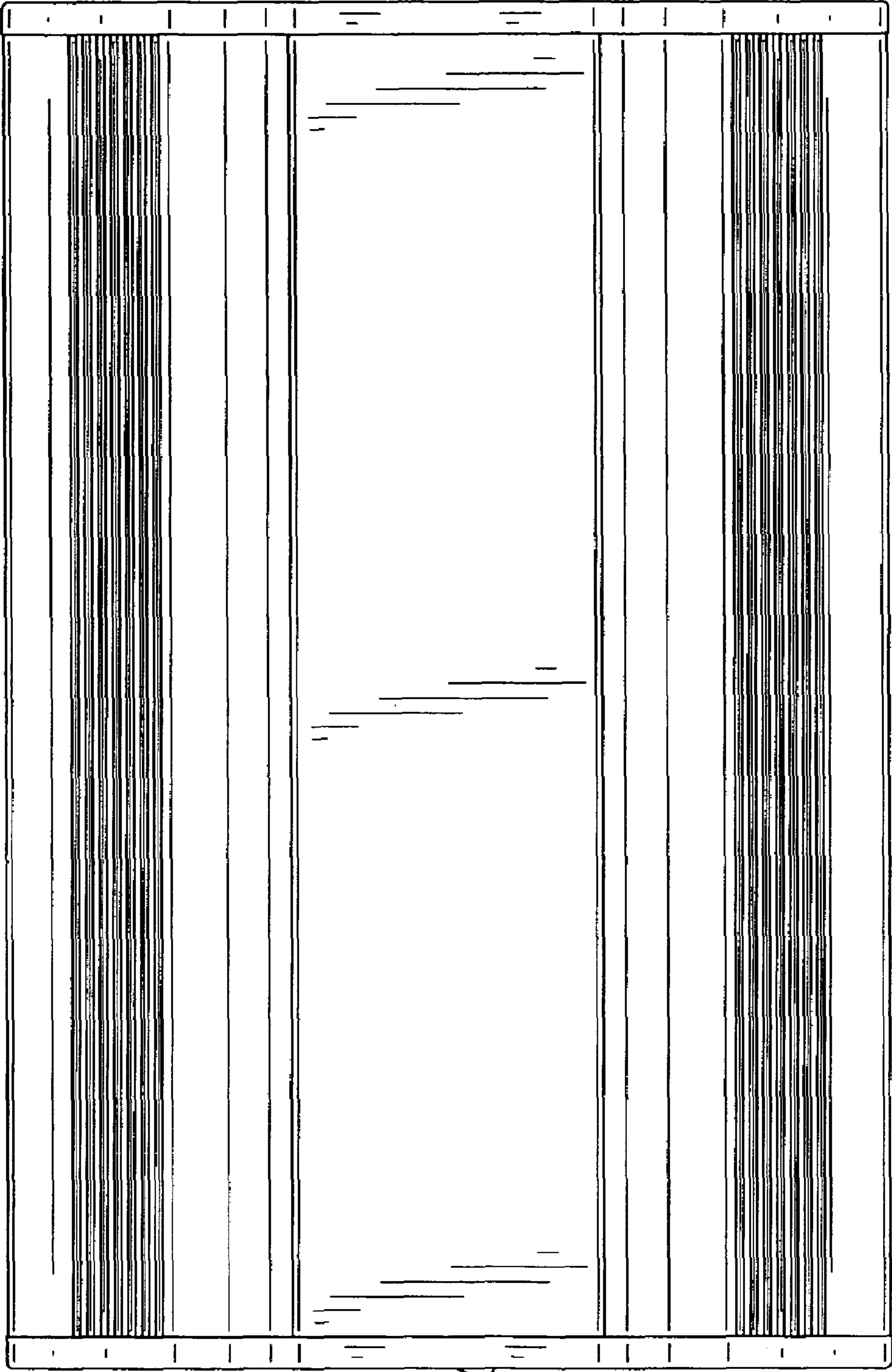


Fig. 7

