



US00D552080S

(12) **United States Design Patent**  
**Langberg et al.**

(10) **Patent No.:** **US D552,080 S**

(45) **Date of Patent:** **\*\* Oct. 2, 2007**

(54) **PORTABLE MEDIA REPRODUCTION SYSTEM**

(75) Inventors: **Eric Aaron Langberg**, Milford, PA (US); **Richard Messerle**, Port Jervis, NY (US); **Gerd Schmieta**, Boston, MA (US); **Jens Andersson**, Vaxjo (SE); **Robert J. McCaffrey**, Hillsborough, NH (US)

(73) Assignee: **Altec Lansing, a division of Plantronics, Inc.**, Milford, PA (US)

(\*\*) Term: **14 Years**

(21) Appl. No.: **29/255,259**

(22) Filed: **Mar. 7, 2006**

**Related U.S. Application Data**

(63) Continuation of application No. 11/143,945, filed on Jun. 3, 2005.

(51) **LOC (8) Cl.** ..... **14-01**

(52) **U.S. Cl.** ..... **D14/214; D14/217**

(58) **Field of Classification Search** ..... D14/204, D14/207, 214, 217, 156, 168, 172, 496; 348/837; 181/143-144, 147-148, 150, 157, 198-199, 181/151, 153; 381/300-302, 306, 333, 345, 381/361-364, 386-388, 332, 336; 725/75, 725/81

See application file for complete search history.

(56) **References Cited**

**U.S. PATENT DOCUMENTS**

D360,637 S \* 7/1995 Arie ..... D14/214

6,742,185 B1 \* 5/2004 Andrews ..... 348/837

D493,154 S \* 7/2004 Hussaini et al. .... D14/217

D510,584 S \* 10/2005 Tierney ..... D14/496

D527,722 S \* 9/2006 Yeh ..... D14/215

\* cited by examiner

*Primary Examiner*—Nanda Bondade

(74) *Attorney, Agent, or Firm*—Richard E. Kurtz; Greenberg Traurig, LLP

(57) **CLAIM**

The ornamental design for a portable media reproduction system, as shown and described.

**DESCRIPTION**

FIG. 1 is a top perspective view of a portable media reproduction system showing the present design;

FIG. 2 is a bottom perspective view thereof;

FIG. 3 is a right side view thereof;

FIG. 4 is a right side view thereof in an open position;

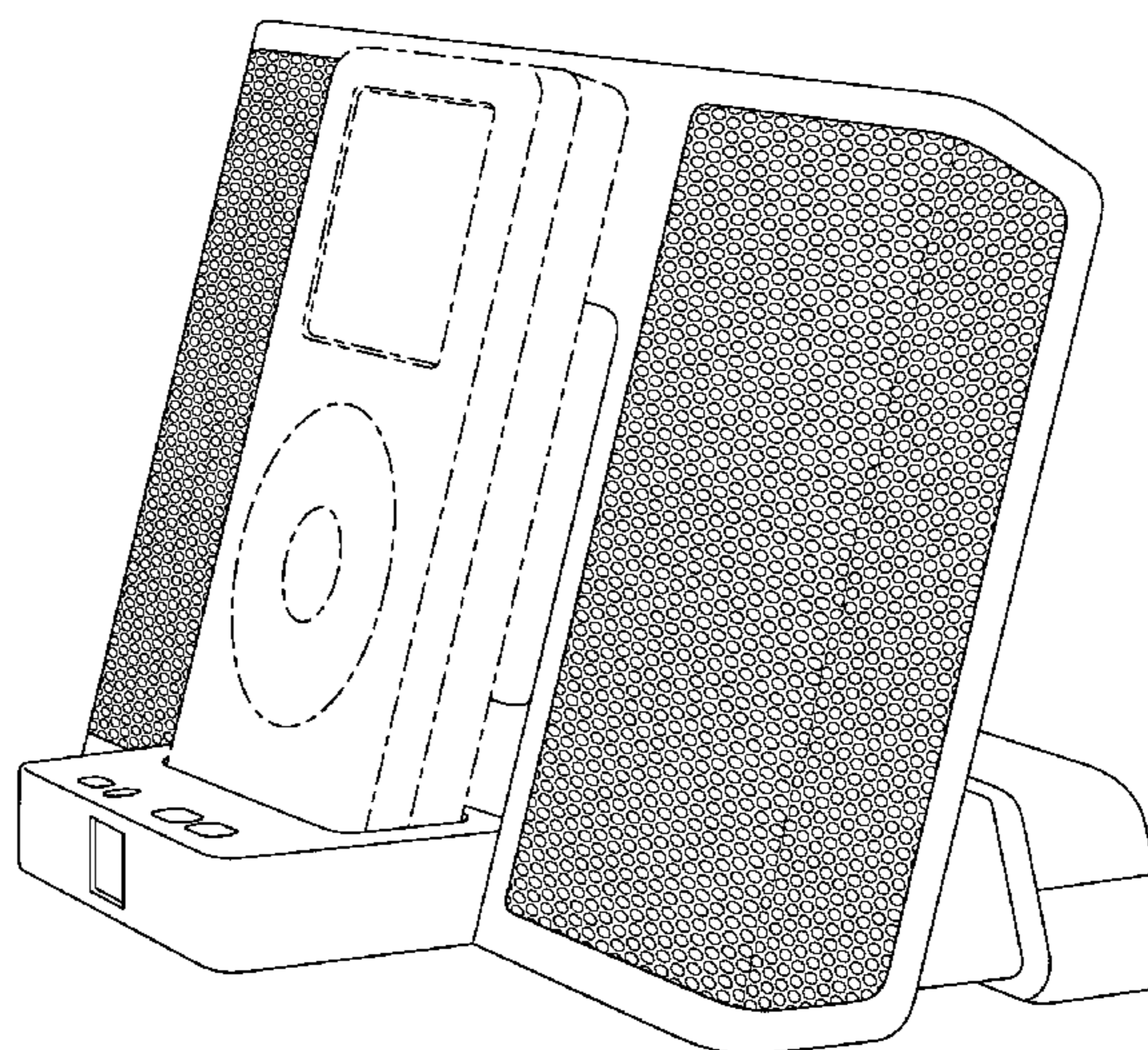
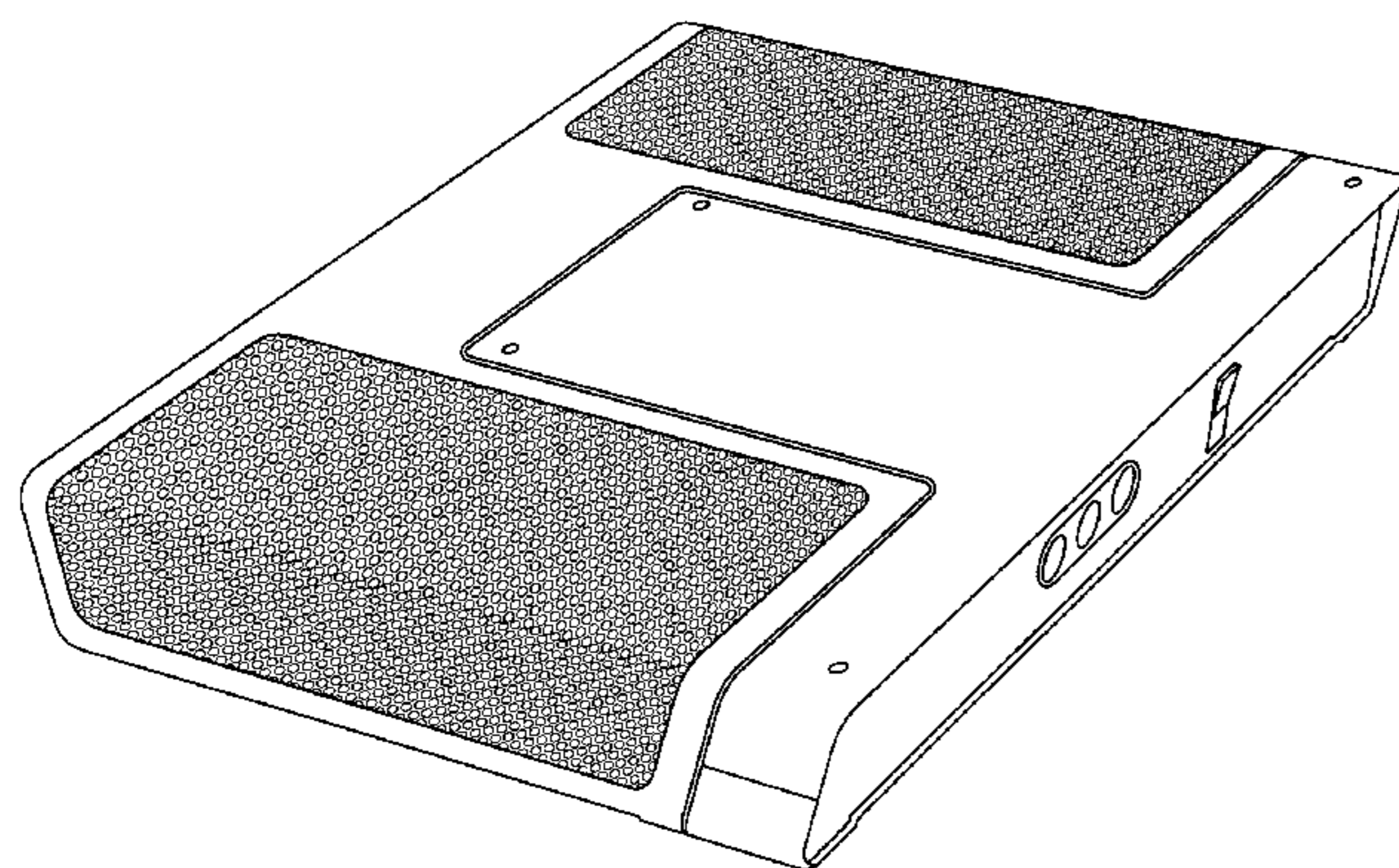
FIG. 5 is front perspective view thereof;

FIG. 6 is front elevation view thereof; and,

FIG. 7 is a rear perspective view thereof.

The broken line showing on the drawing disclosure is for illustrative purposes only and forms no part of the claimed design.

**1 Claim, 6 Drawing Sheets**





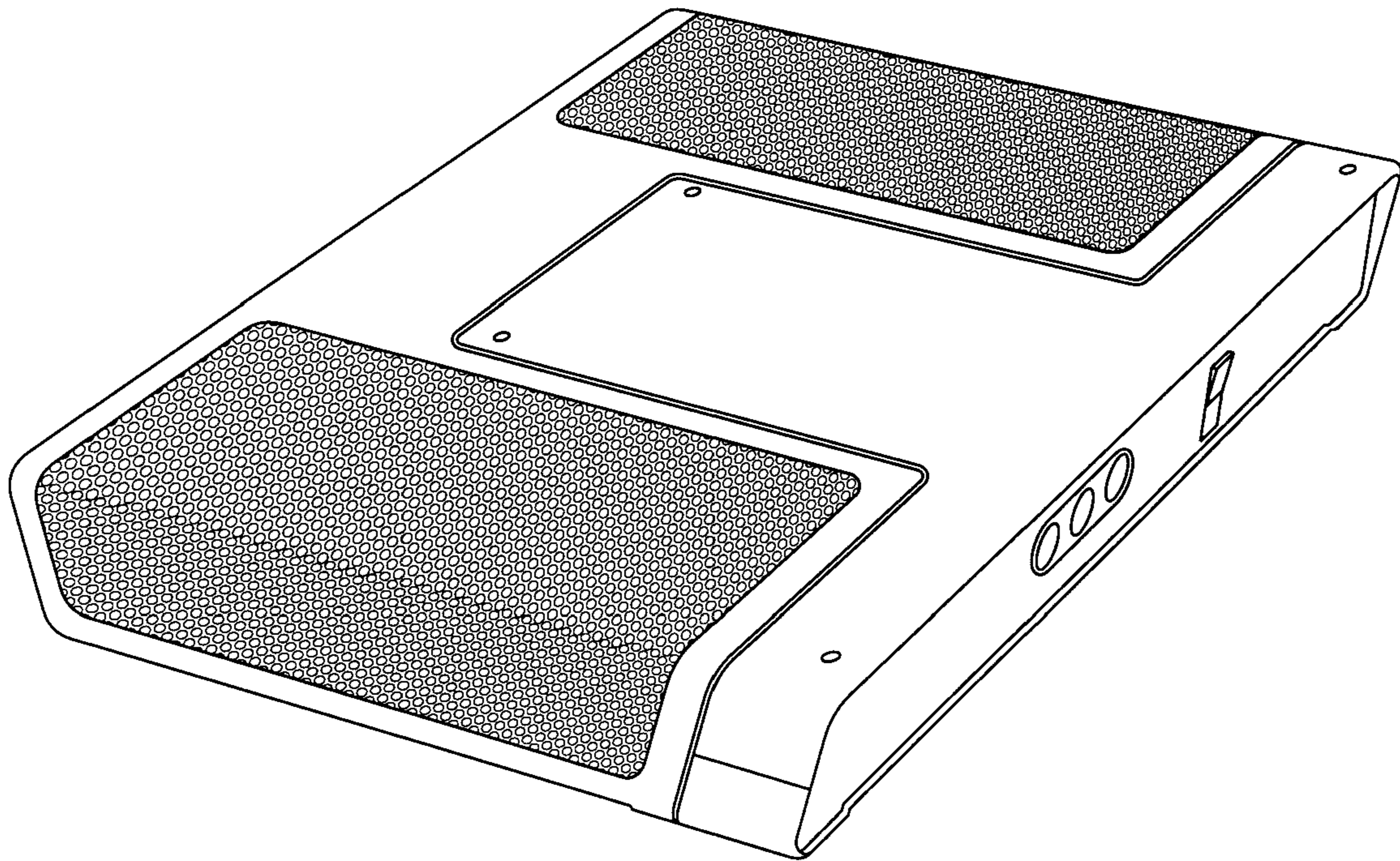


FIG. 1

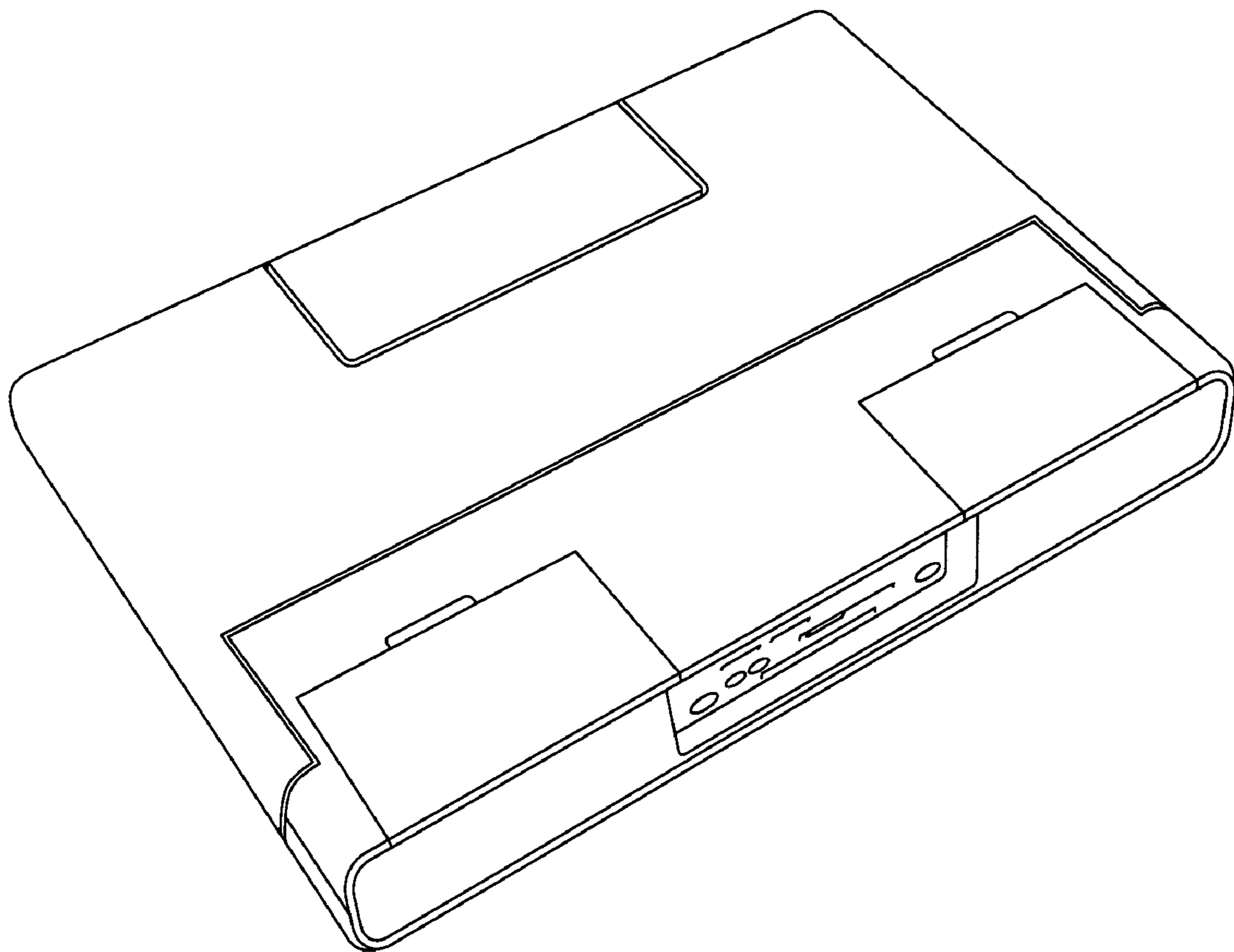


FIG. 2

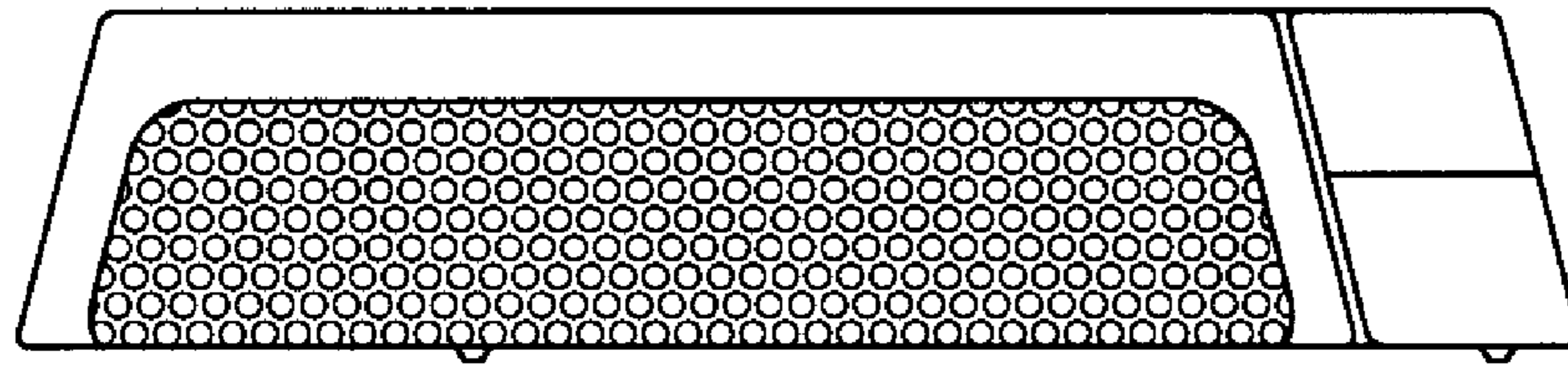


FIG. 3

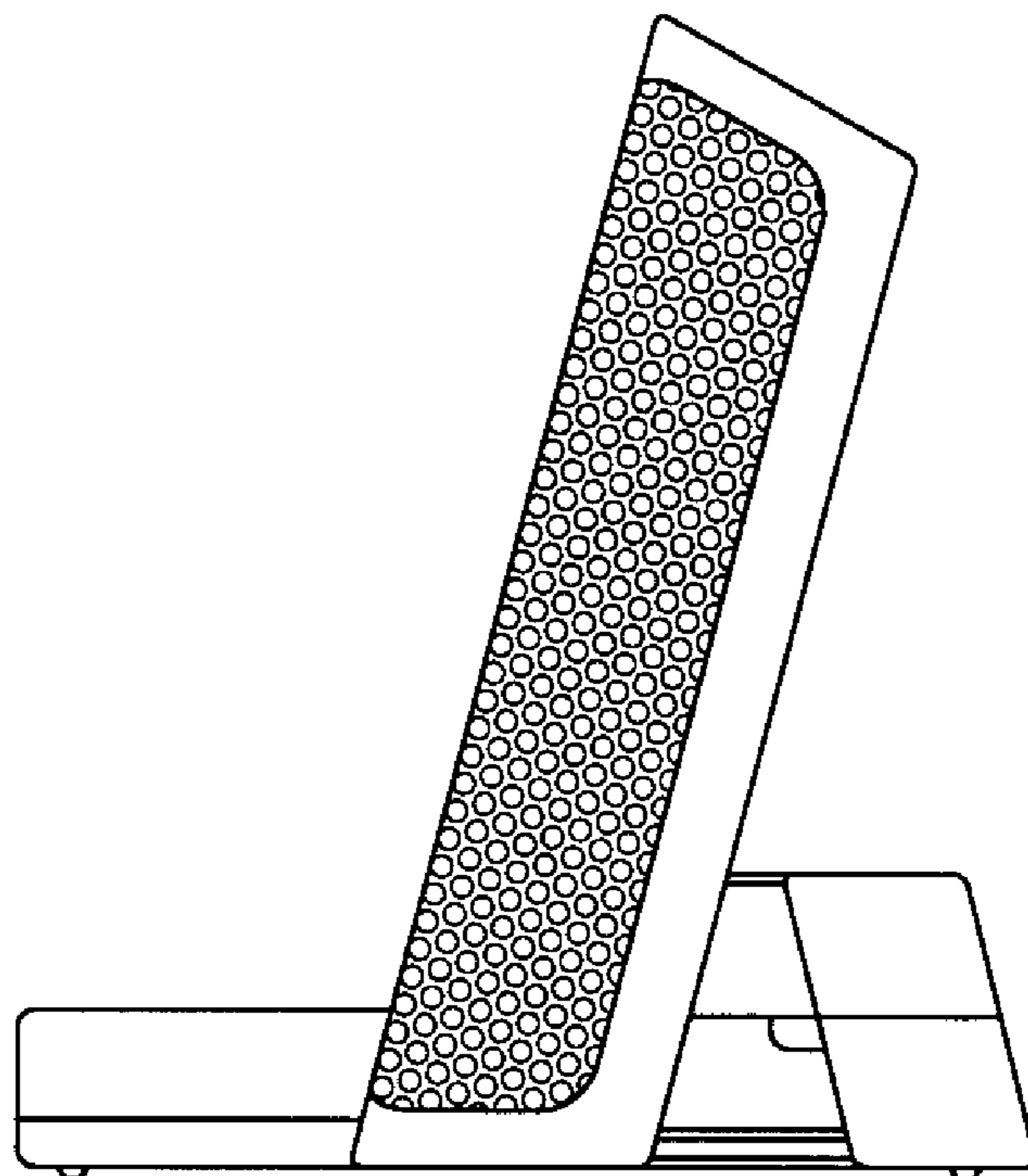


FIG. 4



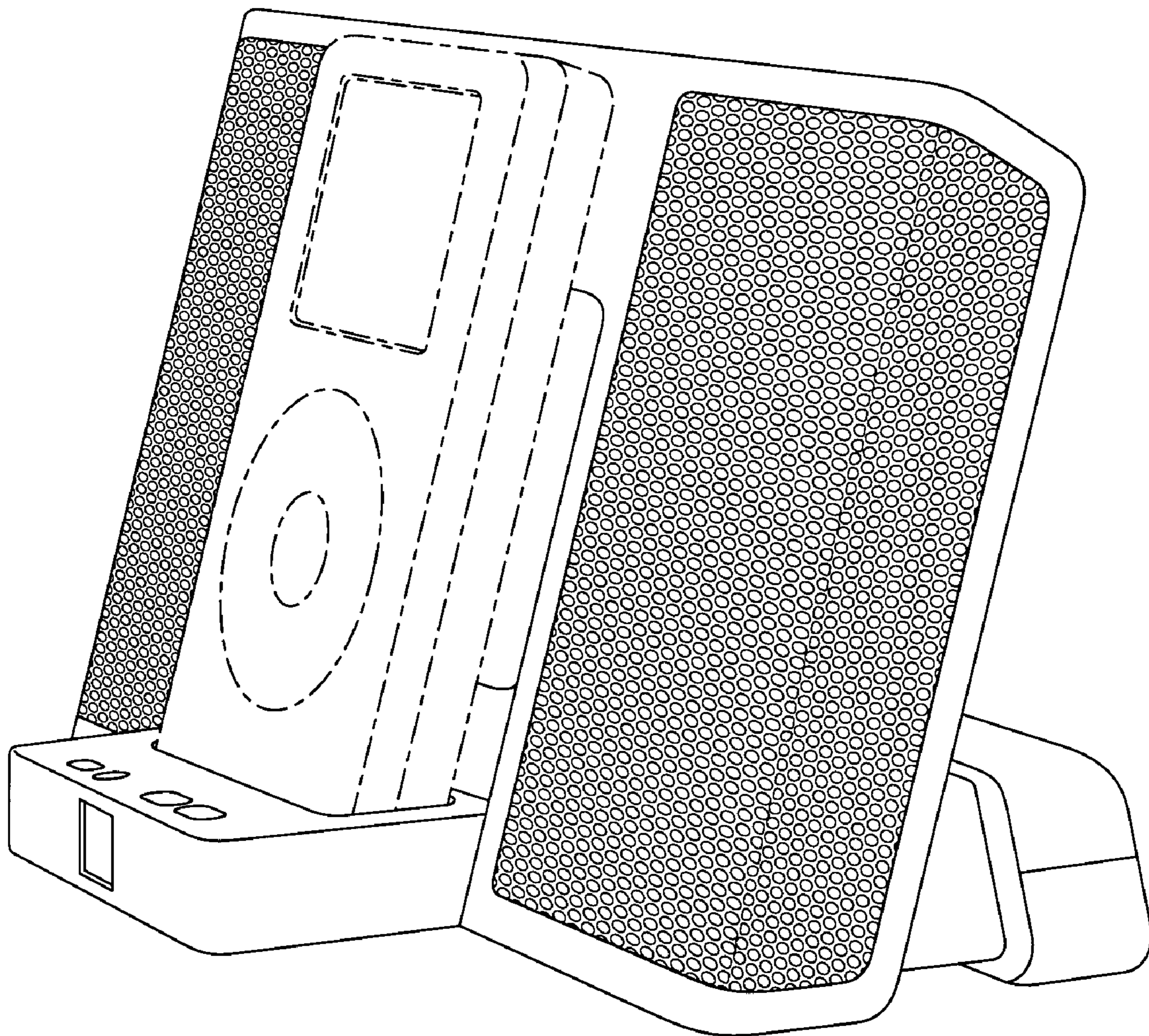


FIG. 5

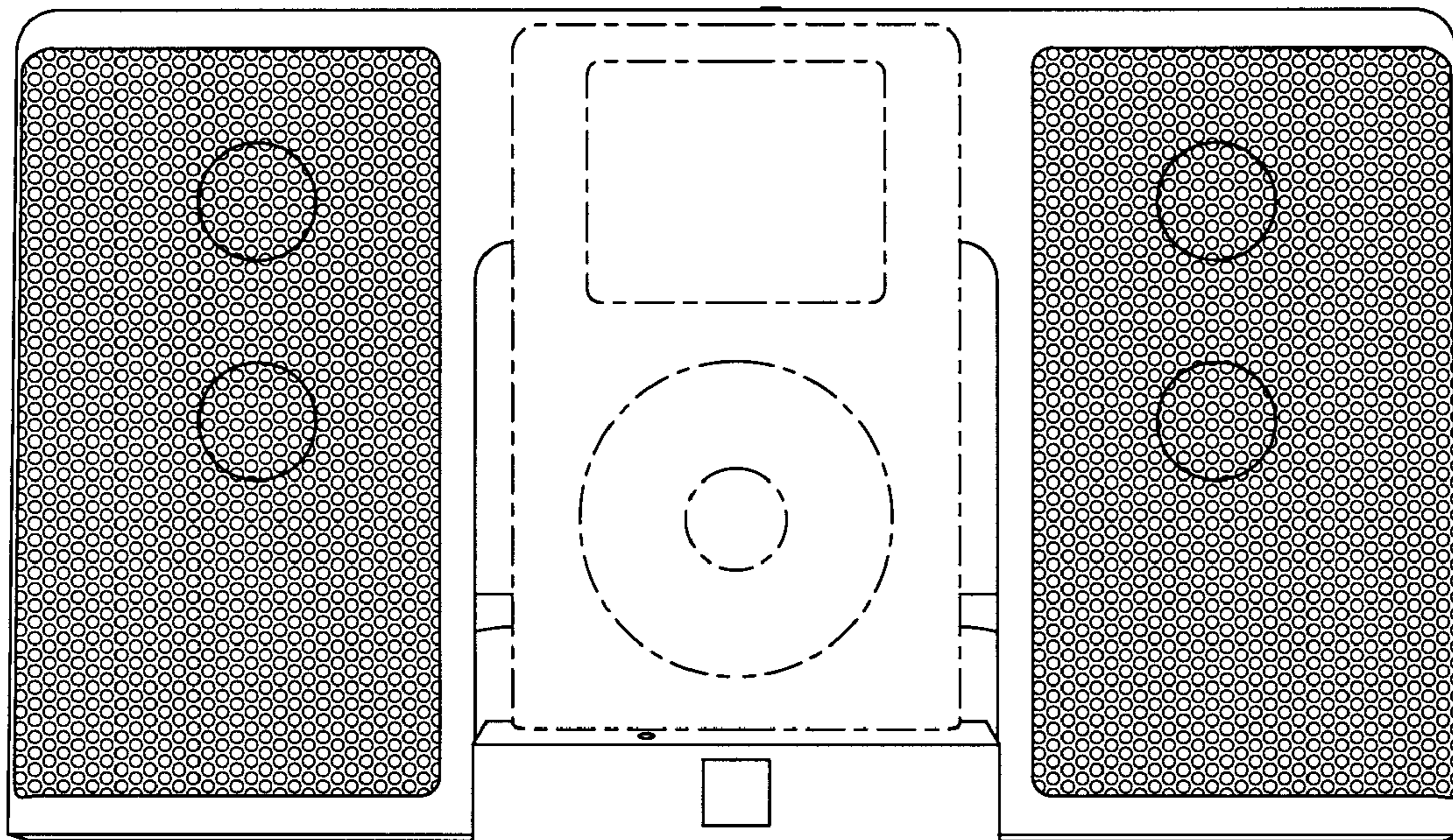


FIG. 6

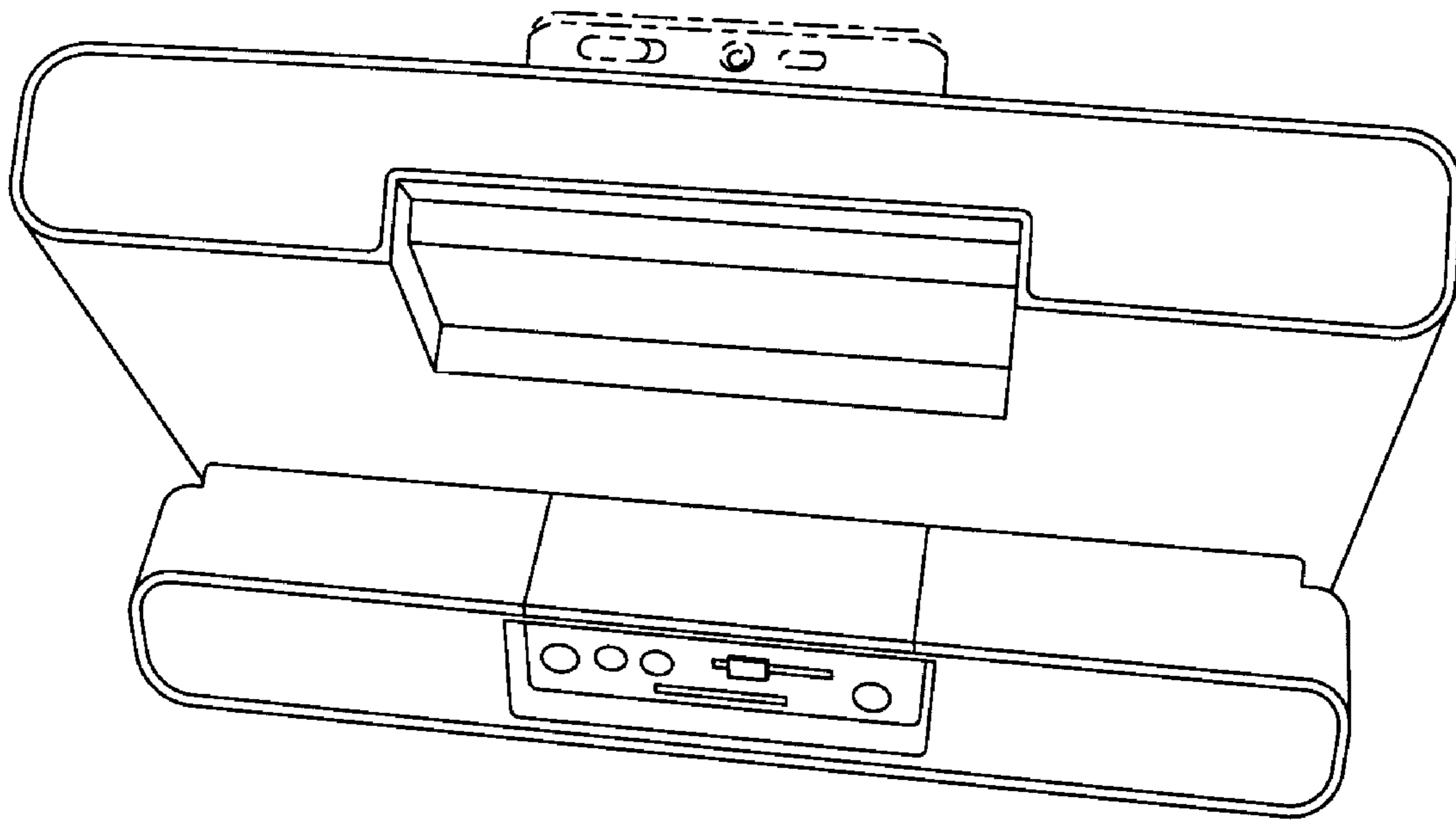


FIG. 7