



US00D552079S

(12) **United States Design Patent**
Hakoda

(10) **Patent No.:** **US D552,079 S**

(45) **Date of Patent:** **** Oct. 2, 2007**

(54) **SPEAKER BOX**

(75) Inventor: **Katsuhisa Hakoda**, Tokyo (JP)

(73) Assignee: **Sony Corporation**, Tokyo (JP)

(**) Term: **14 Years**

(21) Appl. No.: **29/254,454**

(22) Filed: **Feb. 24, 2006**

(30) **Foreign Application Priority Data**

Sep. 9, 2005 (JP) 2005-026119

(51) **LOC (8) Cl.** **14-01**

(52) **U.S. Cl.** **D14/214**

(58) **Field of Classification Search** D14/204,
D14/210-214; 181/143-150, 157, 198-199;
381/300-302, 306, 333, 345, 361-364, 386-388,
381/332, 336

See application file for complete search history.

(56) **References Cited**

U.S. PATENT DOCUMENTS

D432,117 S 10/2000 Miyazaki
D440,220 S * 4/2001 Dunk et al. D14/211
D471,894 S 3/2003 Oikawa
D478,891 S * 8/2003 Hisatsune D14/211

D491,165 S 6/2004 Hakoda
D496,924 S 10/2004 Salyer et al.
D503,396 S * 3/2005 Hisatsune D14/214
D511,339 S * 11/2005 Tsuge D14/214

OTHER PUBLICATIONS

Office Action mailed on Sep. 21, 2006 (Russia).

* cited by examiner

Primary Examiner—Nanda Bondade

(74) *Attorney, Agent, or Firm*—Rader, Fishman & Grauer
PLLC

(57) **CLAIM**

The ornamental design for a speaker box, as shown.

DESCRIPTION

FIG. 1 is a perspective view of a speaker box showing my new design;

FIG. 2 is a front elevational view thereof;

FIG. 3 is a rear elevational view thereof;

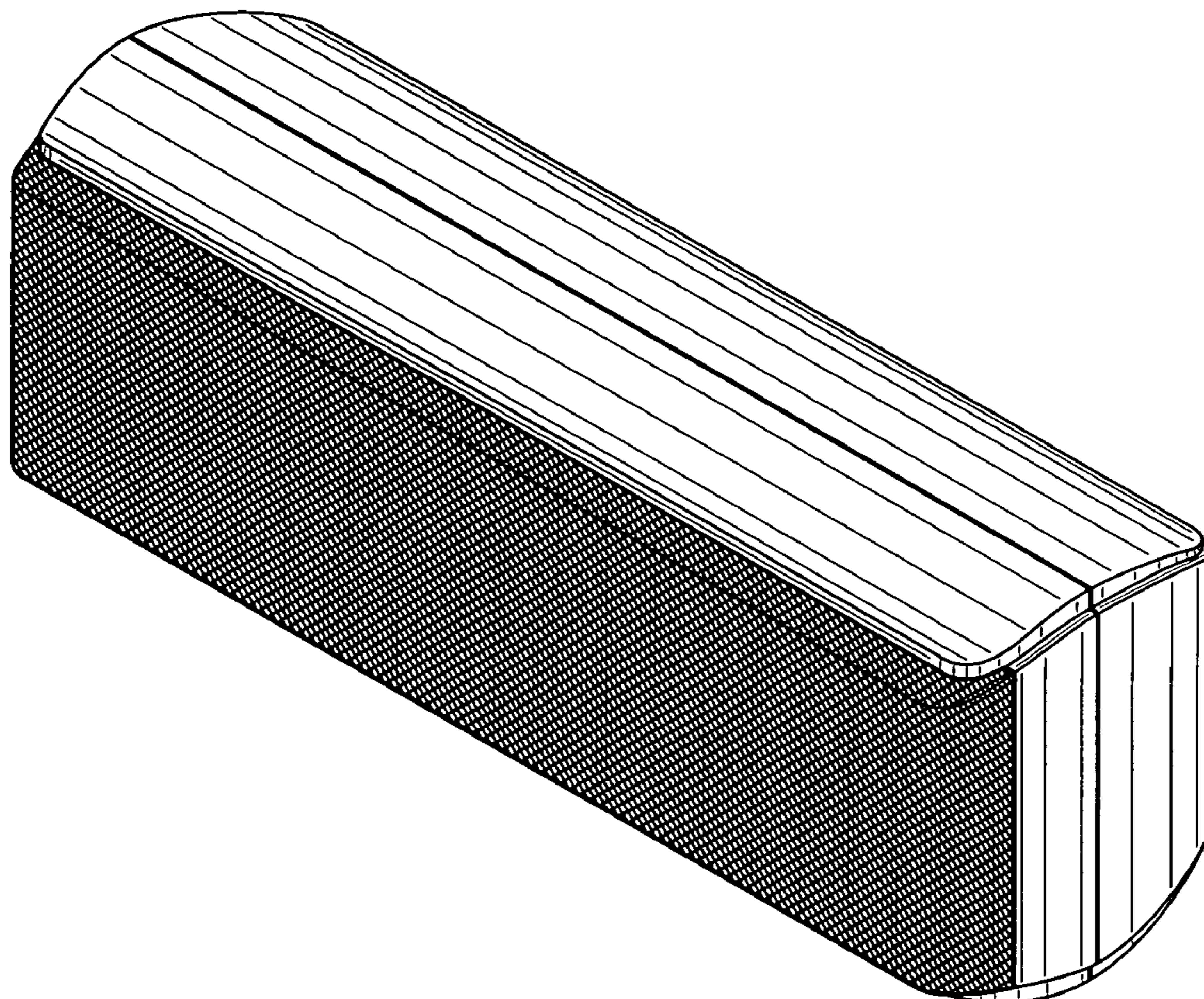
FIG. 4 is a left side elevational view thereof;

FIG. 5 is a right side elevational view thereof;

FIG. 6 is a top plan view thereof; and,

FIG. 7 is a bottom plan view thereof.

1 Claim, 7 Drawing Sheets



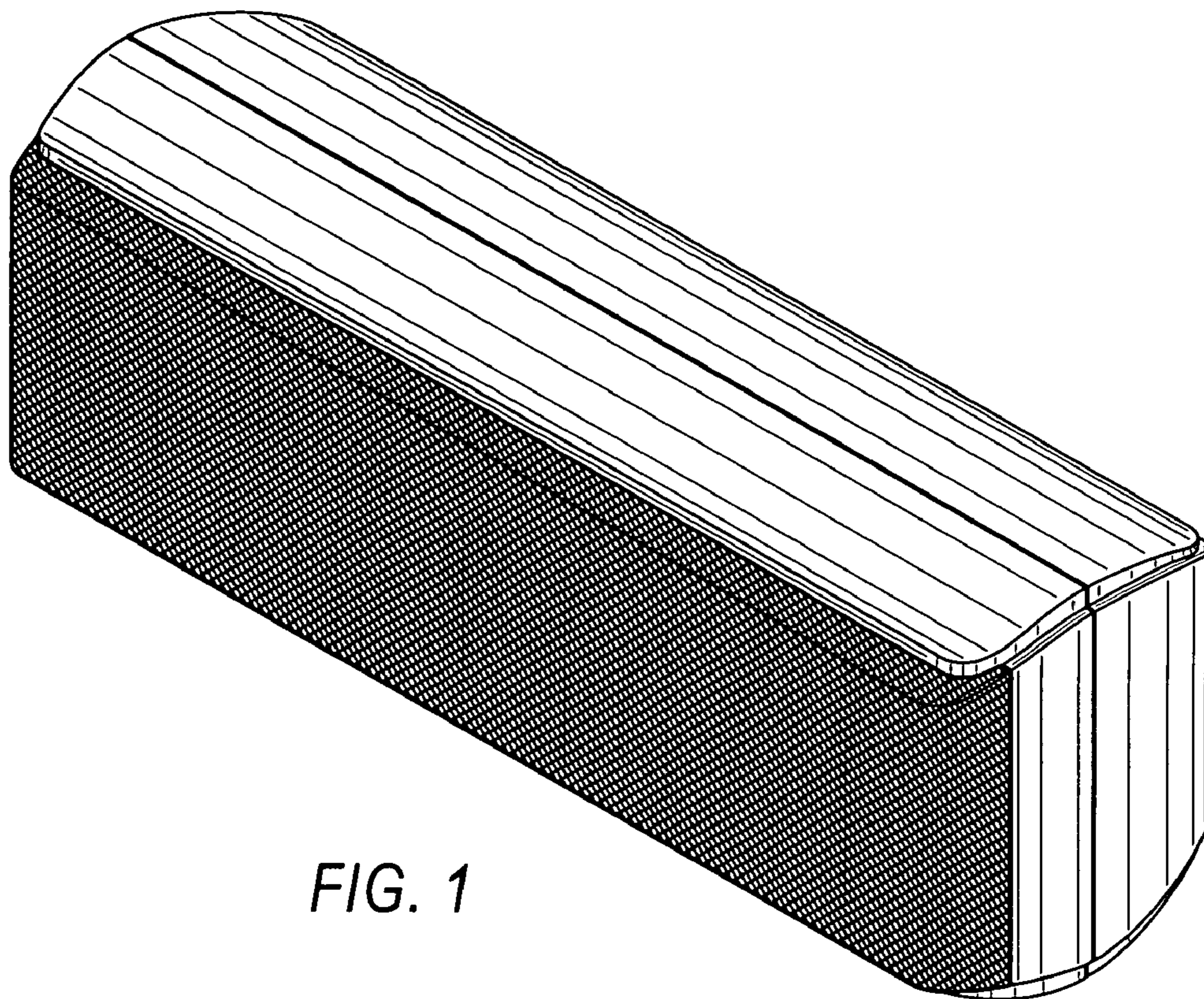


FIG. 1

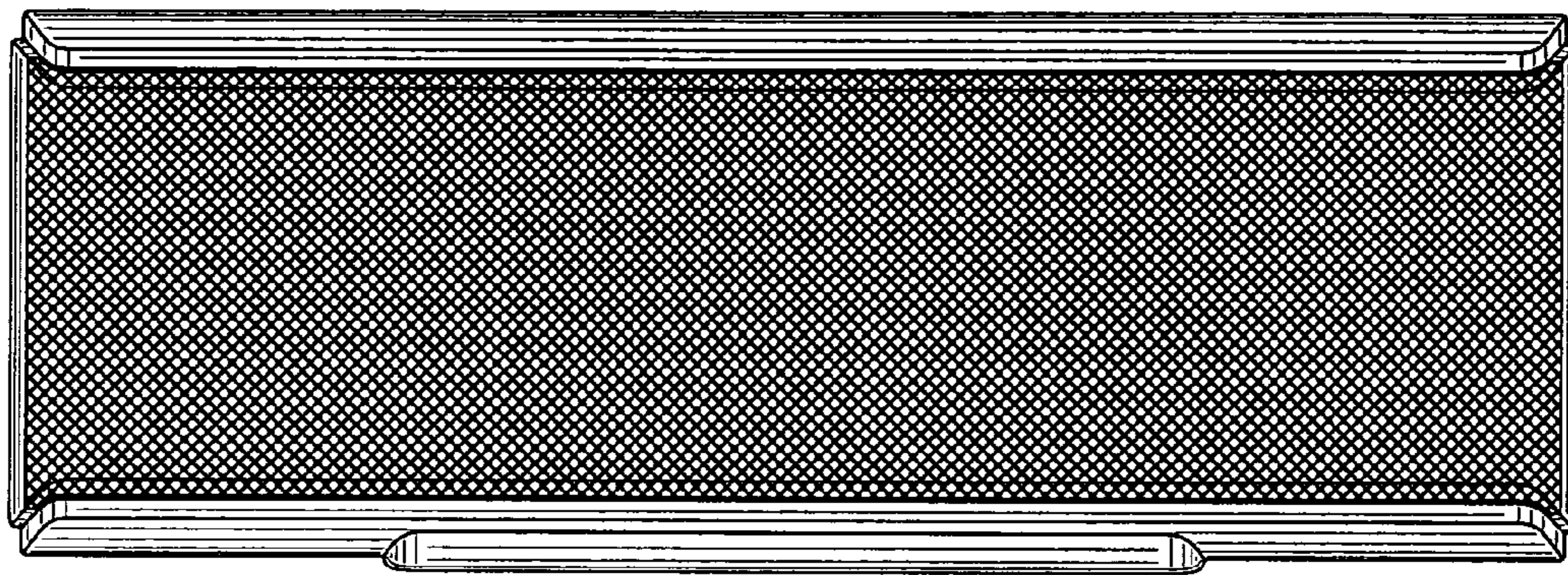


FIG. 2

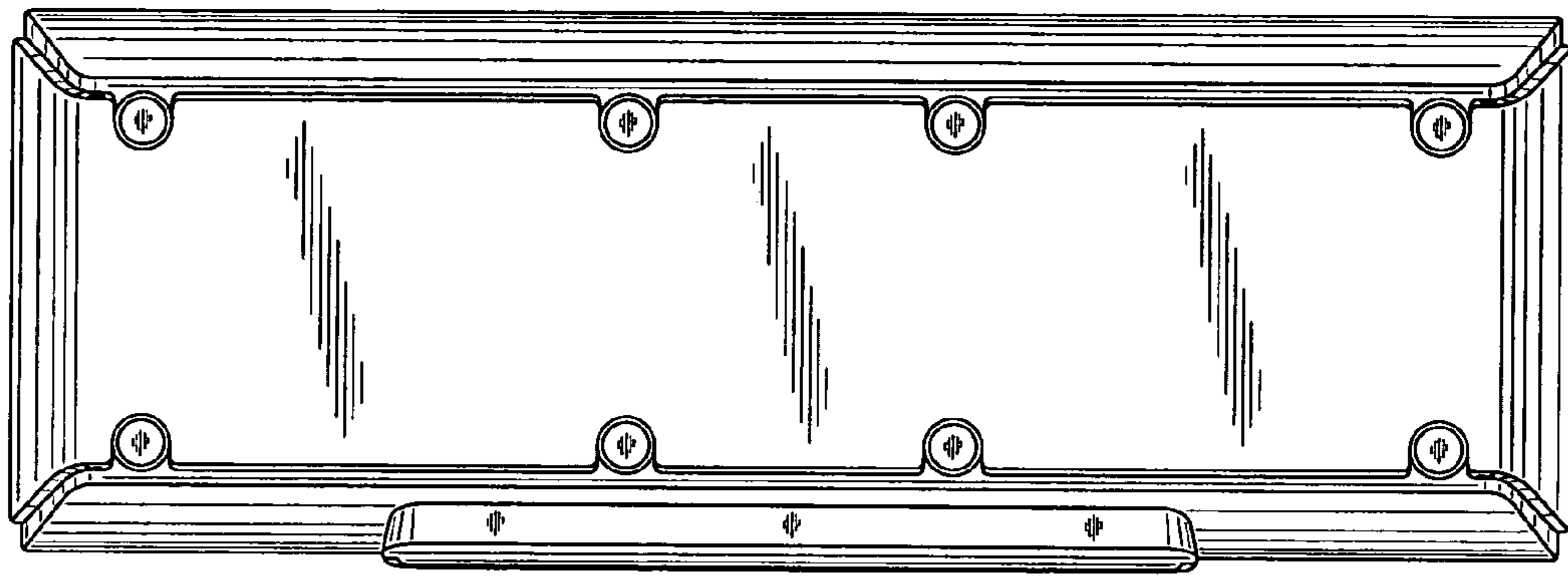


FIG. 3

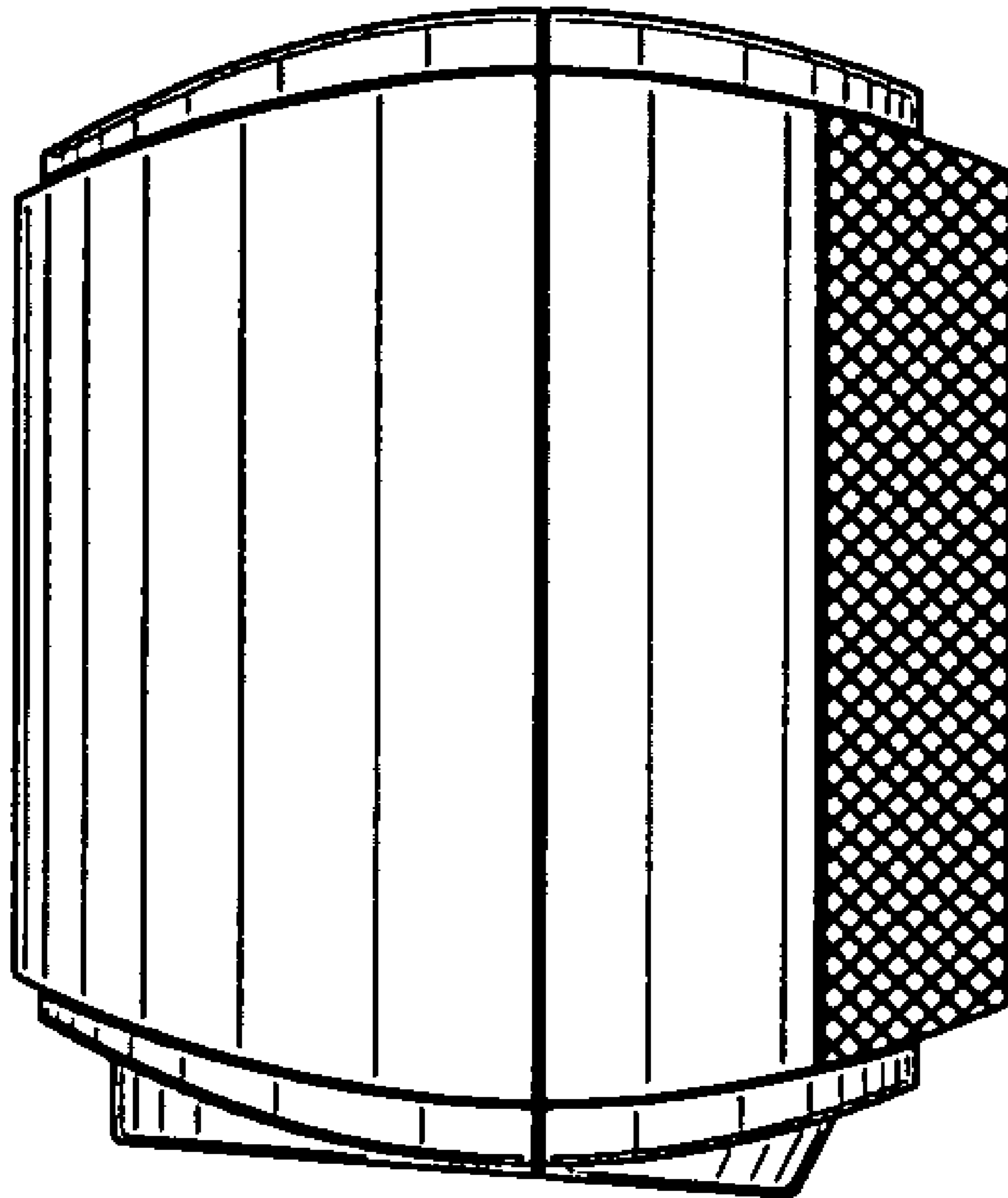


FIG. 4

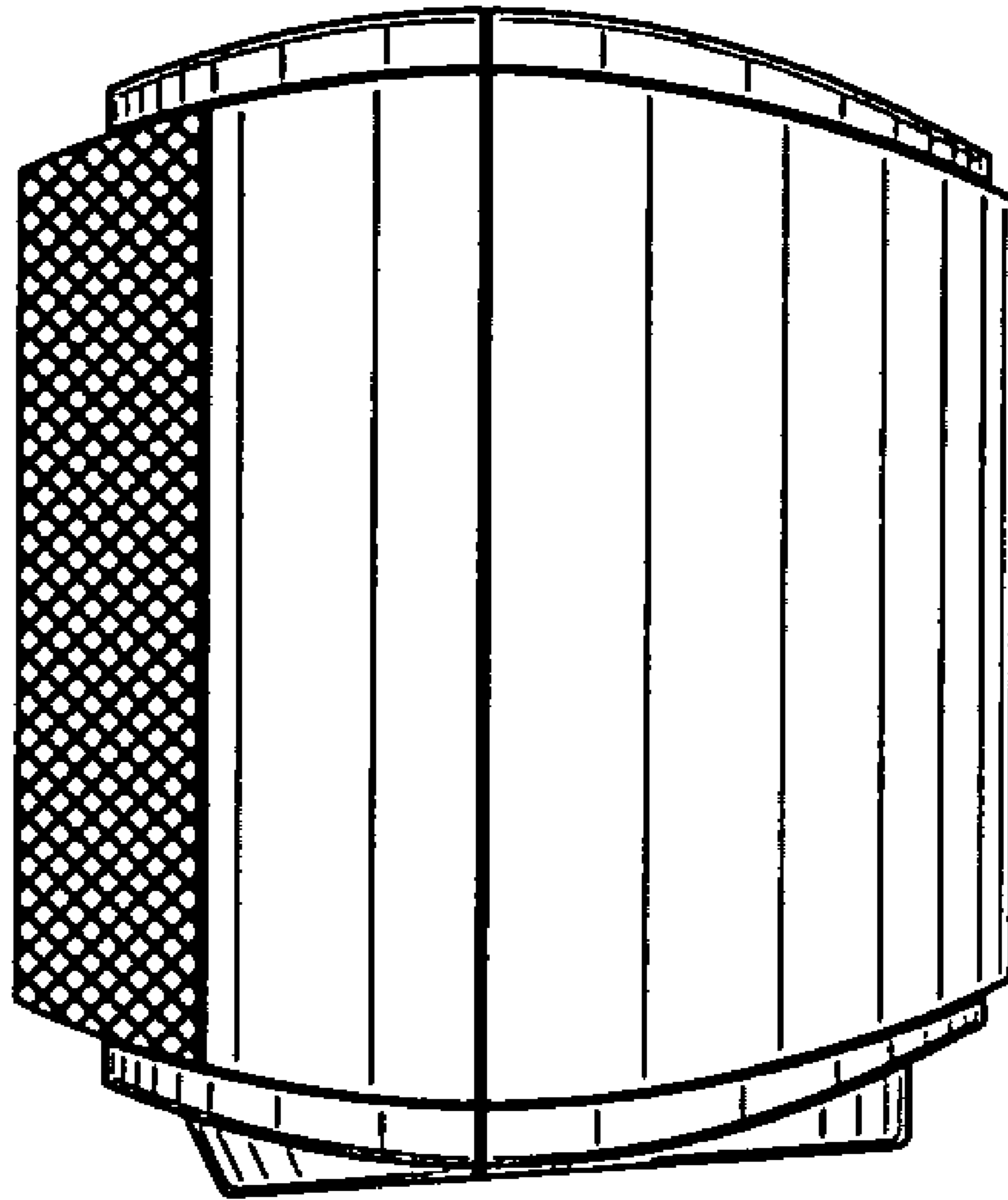


FIG. 5

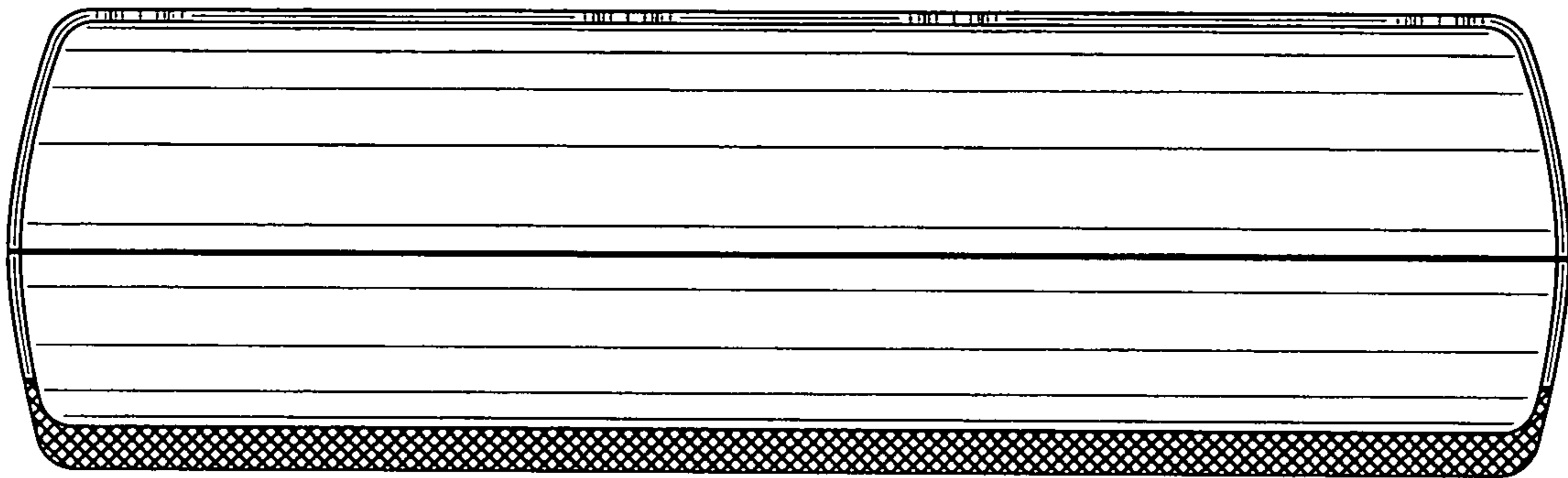


FIG. 6

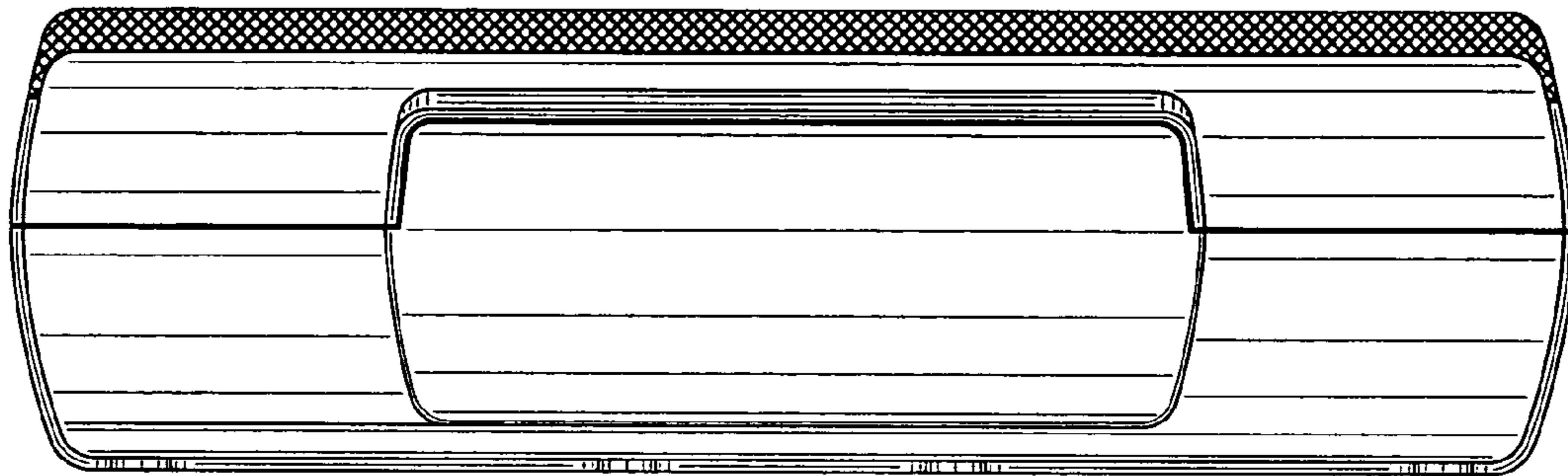


FIG. 7