



US00D552075S

(12) **United States Design Patent**  
**Zeitman**

(10) **Patent No.:** **US D552,075 S**

(45) **Date of Patent:** **\*\* Oct. 2, 2007**

(54) **COMBINED ALARM CLOCK WITH RADIO AND CD PLAYER**

D480,062 S \* 9/2003 Kulkarni ..... D14/168

(75) Inventor: **Josh Zeitman**, Brooklyn, NY (US)

Lenoxx Electronics, <http://www.lenoxx.com/2005/clockradio/CDR1906.htm>, May 2, 2007, 2pgs.\*

(73) Assignee: **Lenoxx Electronics Corp.**, Brooklyn, NY (US)

\* cited by examiner

(\*\*) Term: **14 Years**

*Primary Examiner*—Mitchell Siegel

*Assistant Examiner*—Keli L. Acker

(21) Appl. No.: **29/239,582**

(74) *Attorney, Agent, or Firm*—Buchanan Ingersoll & Rooney PC

(22) Filed: **Oct. 3, 2005**

(57) **CLAIM**

(51) **LOC (8) Cl.** ..... **14-02**

The ornamental design for an combined alarm clock with radio and CD player, as shown and described.

(52) **U.S. Cl.** ..... **D14/171; D10/2**

(58) **Field of Classification Search** ..... D14/68,  
D14/170, 171, 188, 193-198; D10/1, 2,  
D10/15, 128; 312/7.1; 455/91, 95, 100,  
455/128, 344, 347, 350, 351

See application file for complete search history.

**DESCRIPTION**

FIG. 1 is a front view of an combined alarm clock with radio and CD player showing my design;

FIG. 2 is a back view thereof;

FIG. 3 is a left side view thereof;

FIG. 4 is a right side view thereof;

FIG. 5 is a top view thereof;

FIG. 6 is a bottom view thereof; and,

FIG. 7 is a perspective view thereof.

(56) **References Cited**

**U.S. PATENT DOCUMENTS**

D328,896 S \* 8/1992 Warburton ..... D14/171

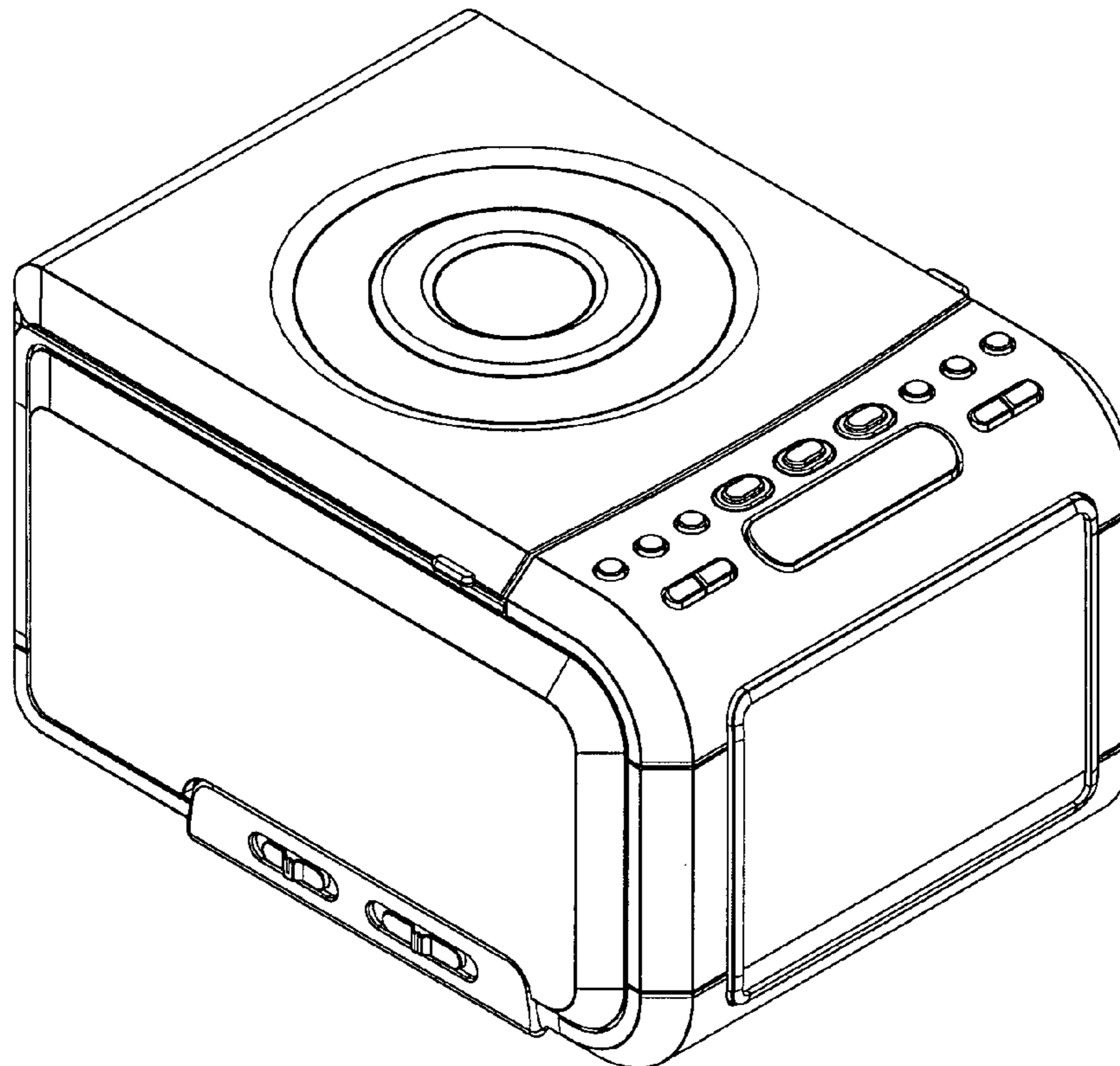
D365,563 S \* 12/1995 Gioscia ..... D14/171

D381,983 S \* 8/1997 Nagai ..... D14/168

D421,007 S \* 2/2000 Nagai ..... D14/156

D434,749 S \* 12/2000 Ito et al. .... D14/168

**1 Claim, 7 Drawing Sheets**



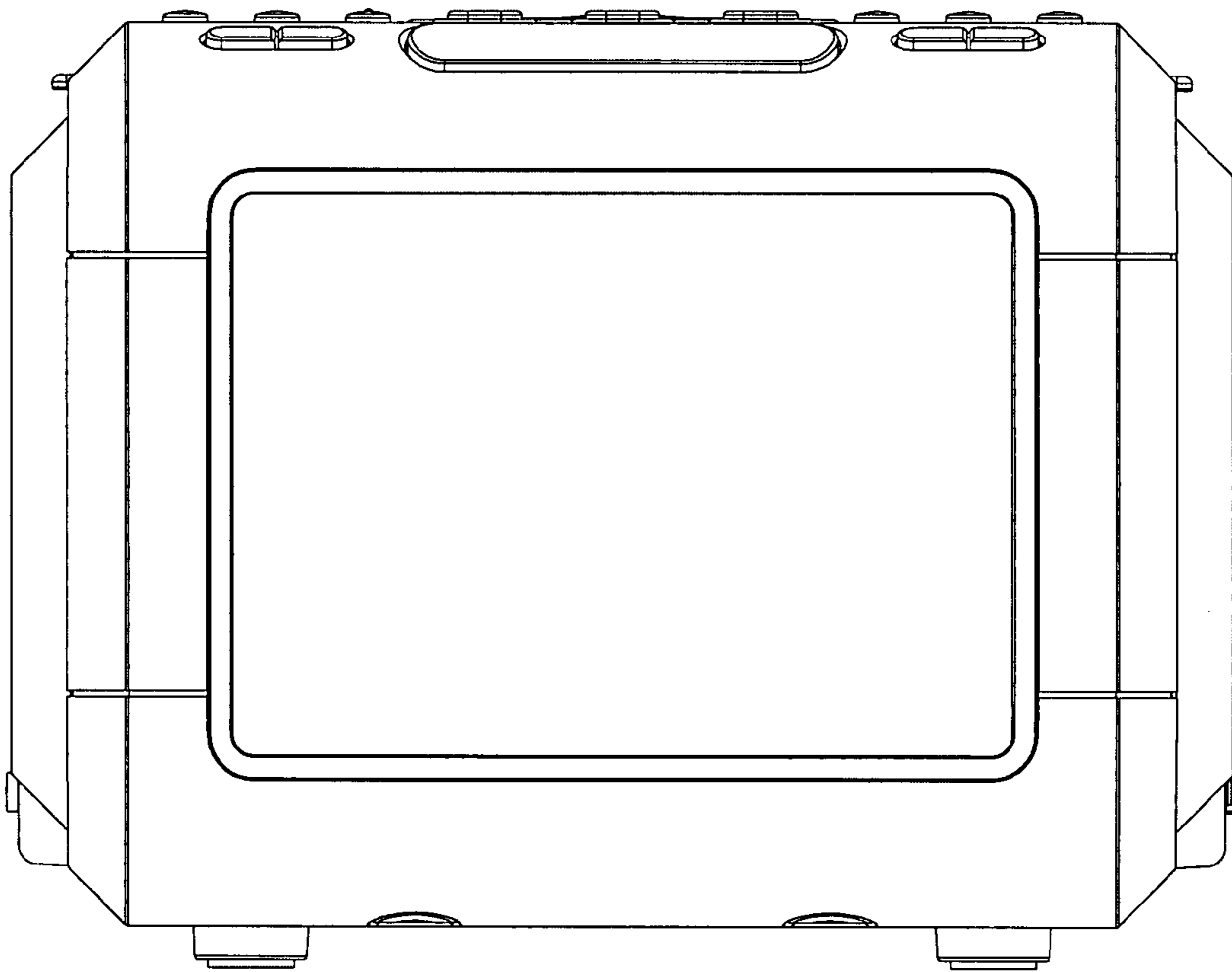


Figure 1

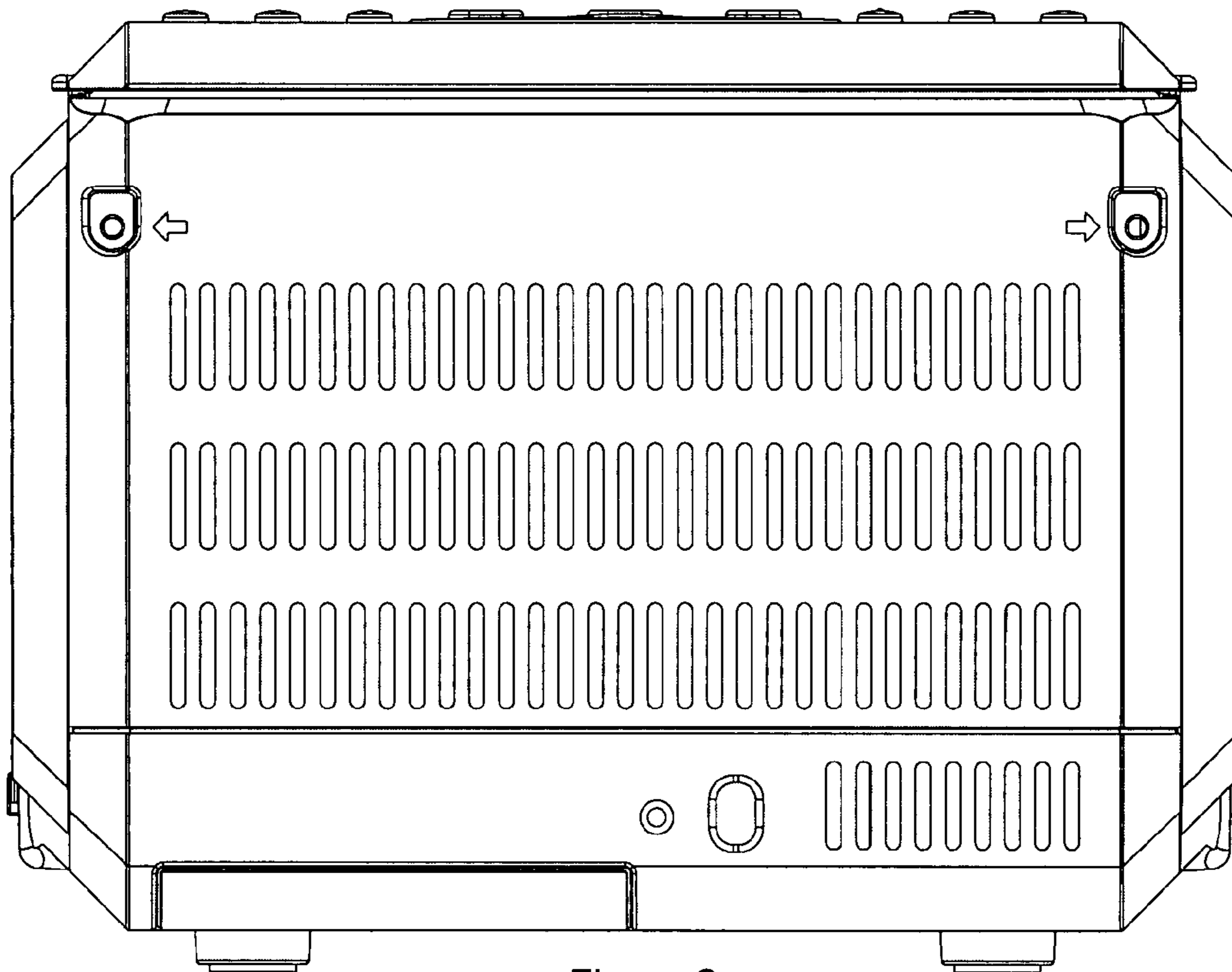


Figure 2

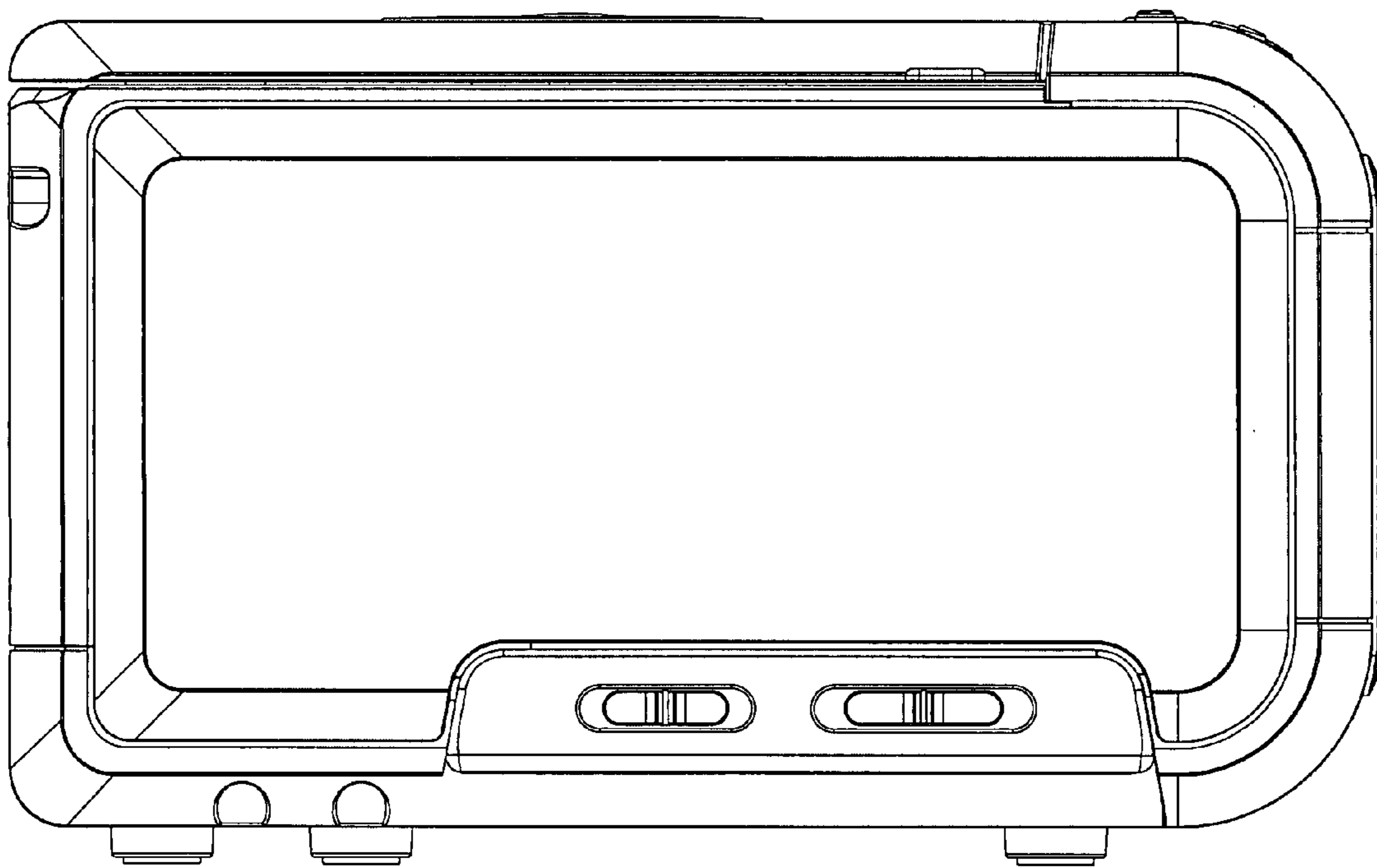


Figure 3

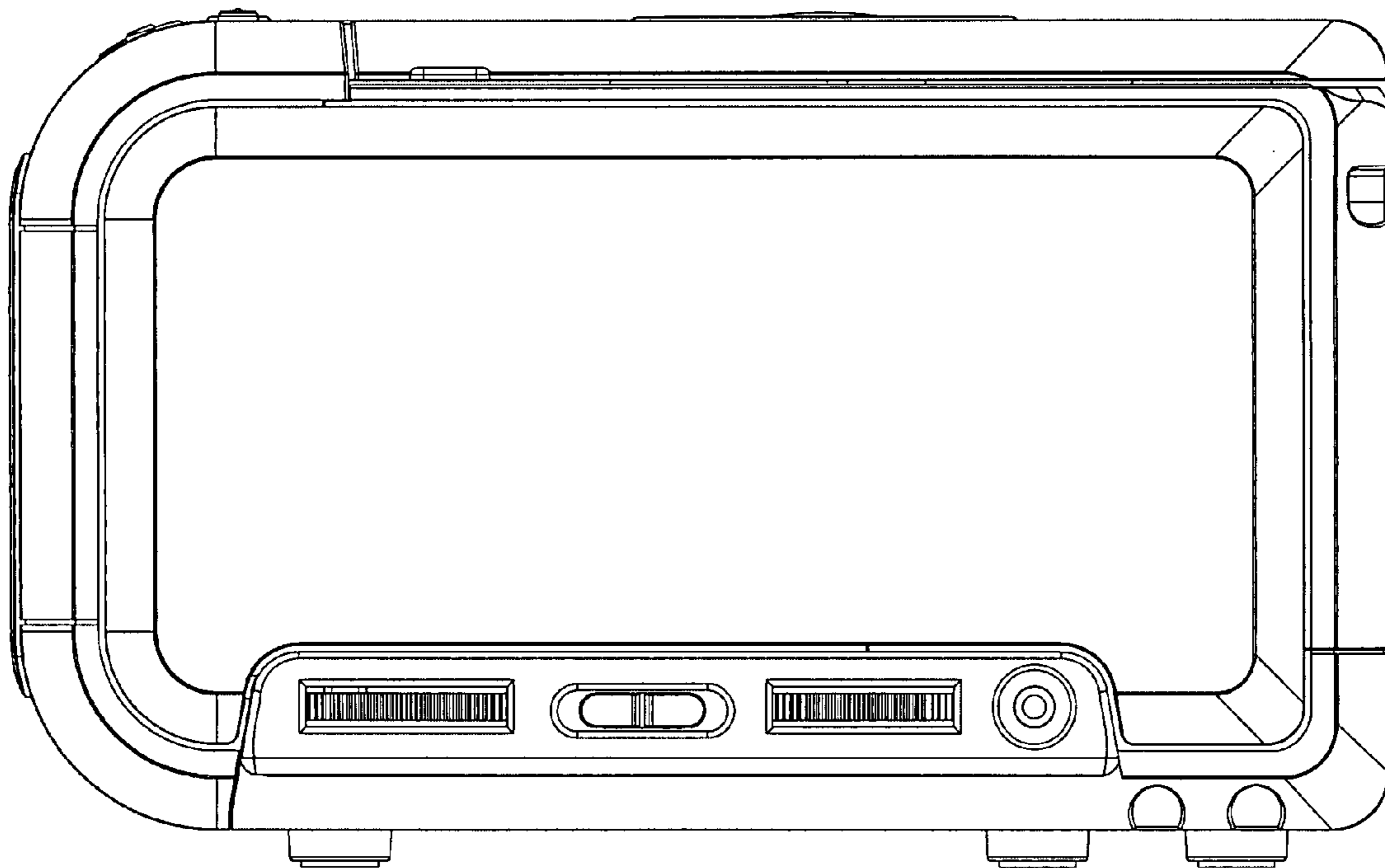


Figure 4

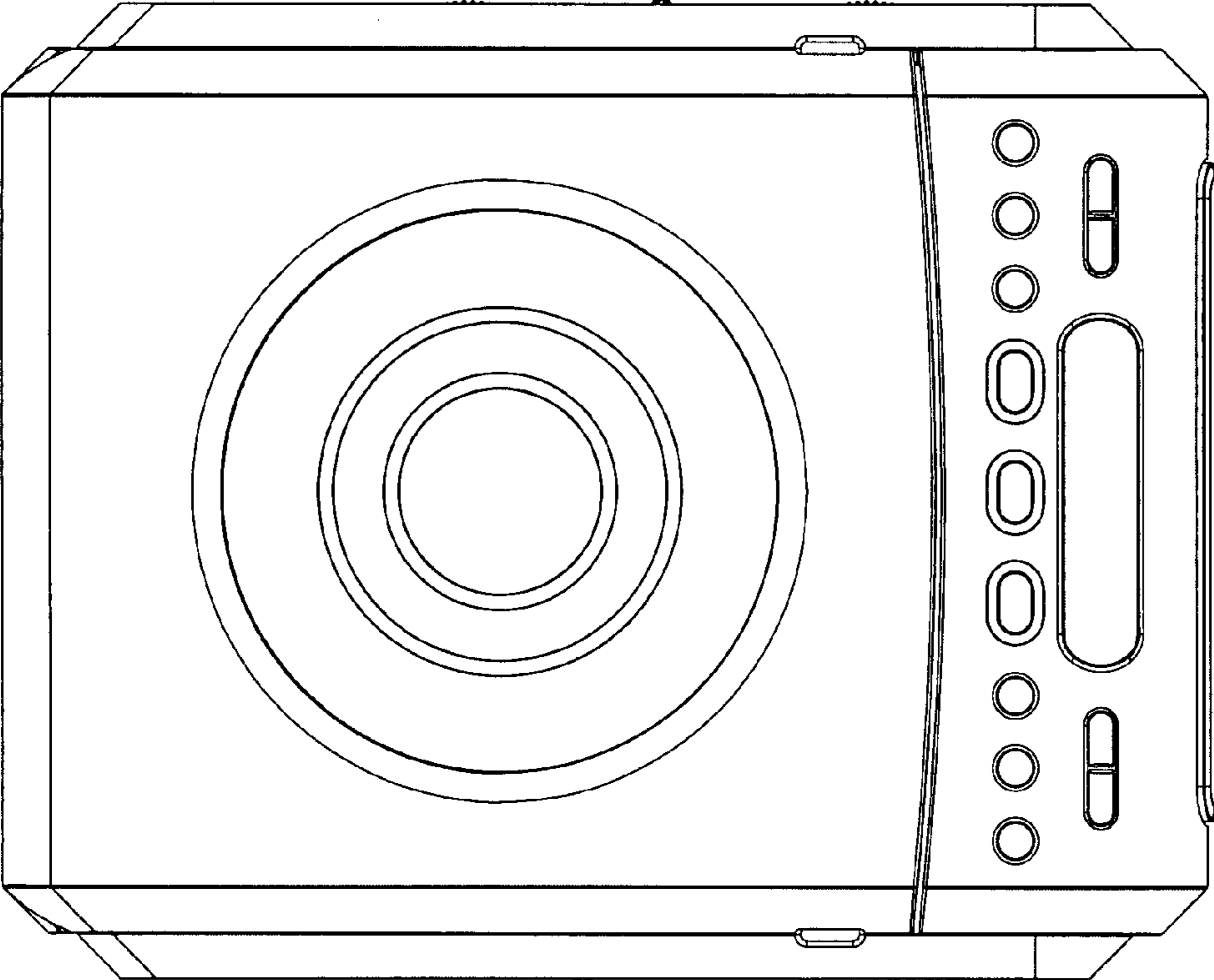


Figure 5

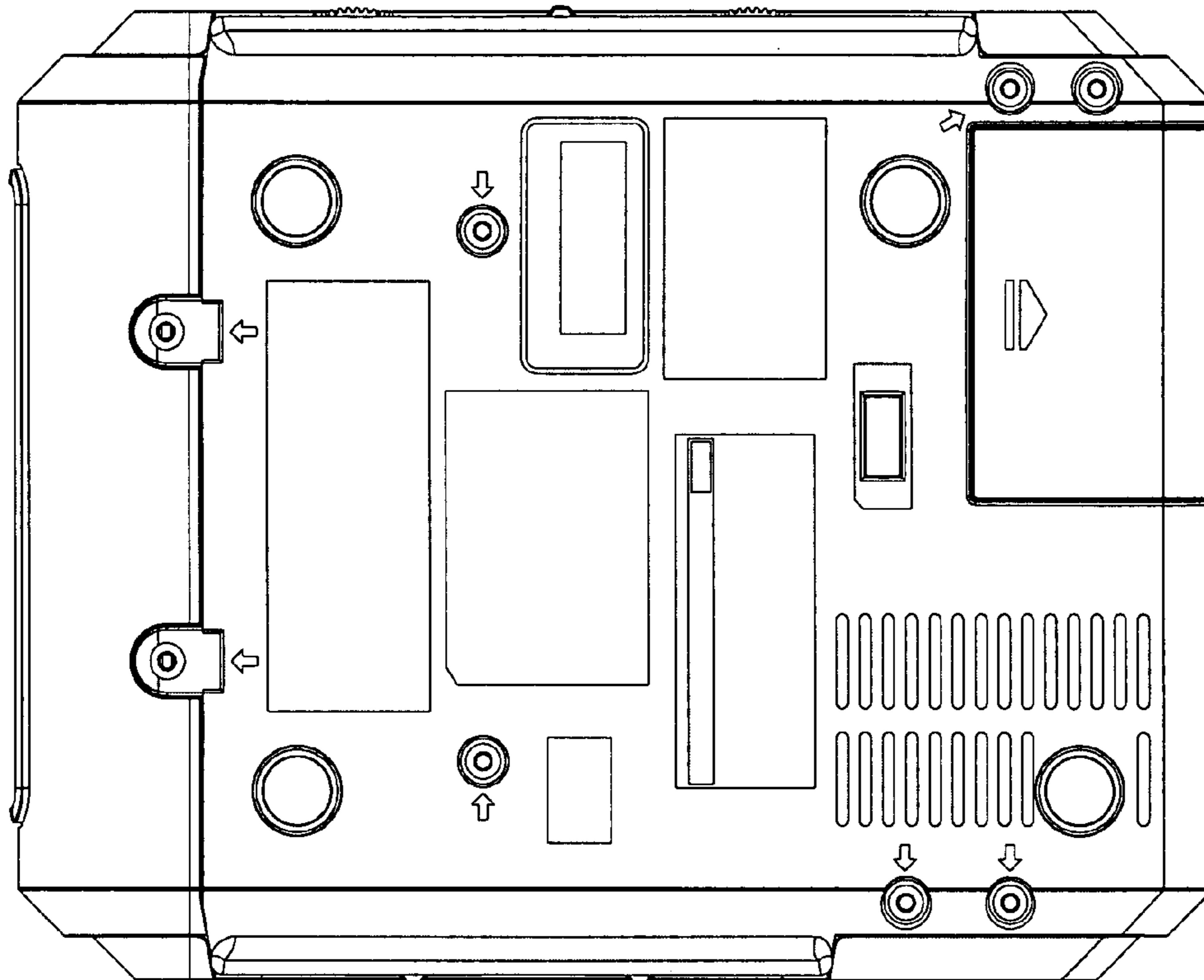


Figure 6

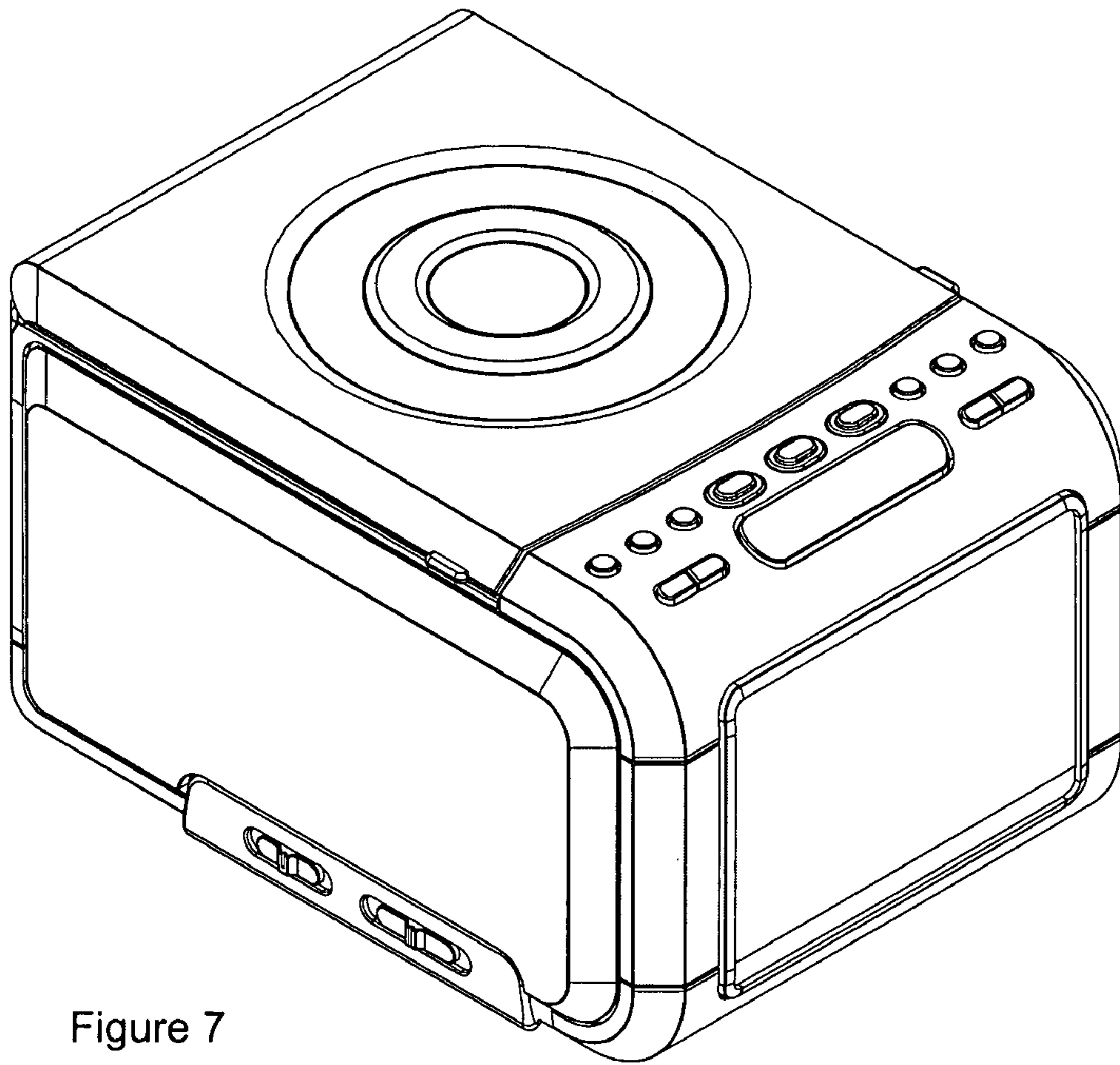


Figure 7