



US00D552067S

(12) **United States Design Patent**
Han et al.

(10) **Patent No.:** **US D552,067 S**

(45) **Date of Patent:** **** Oct. 2, 2007**

(54) **MOBILE PHONE**

(75) Inventors: **Woo-Seung Han**, Seoul (KR);
Hyun-Sook Kim, Yongin-si (KR);
Yoon-Young Cho, Seoul (KR);
Chang-Hwan Hwang, Goyang-si (KR)

(73) Assignee: **Samsung Electronics Co., Ltd.**,
Suwon-Si (KR)

(**) Term: **14 Years**

(21) Appl. No.: **29/245,730**

(22) Filed: **Dec. 29, 2005**

(30) **Foreign Application Priority Data**

Jul. 15, 2005 (KR) 30-2005-0023864

(51) **LOC (8) Cl.** **14-03**

(52) **U.S. Cl.** **D14/138**

(58) **Field of Classification Search** D14/191,
D14/138, 147-148, 247-248, 144, 496, 156,
D14/341-347; 379/433.01-433.13; 455/575.3,
455/566, 575.1, 556.1, 556.2, 90.3
See application file for complete search history.

(56) **References Cited**

U.S. PATENT DOCUMENTS

5,923,751	A *	7/1999	Ohtsuka et al.	379/433.13
D488,453	S *	4/2004	Chang et al.	D14/138
D500,480	S *	1/2005	Daw	D14/138
6,882,726	B2 *	4/2005	Kim	379/433.13
D507,252	S *	7/2005	Kim et al.	D14/138
D508,035	S *	8/2005	Kim et al.	D14/138
D508,036	S *	8/2005	Wada	D14/138
D508,685	S *	8/2005	Kim et al.	D14/138
D510,922	S *	10/2005	Kim et al.	D14/138
D518,467	S *	4/2006	Kim et al.	D14/138
D519,966	S *	5/2006	Salmi et al.	D14/138
D521,477	S *	5/2006	Kim et al.	D14/138
D521,481	S *	5/2006	Shin	D14/138
7,140,073	B2 *	11/2006	Park et al.	16/348
D536,685	S *	2/2007	Feng et al.	D14/138

D536,687	S *	2/2007	Lheem	D14/138
2003/0092401	A1 *	5/2003	Ikeuchi	455/90
2003/0109232	A1 *	6/2003	Park et al.	455/90
2004/0097262	A1 *	5/2004	Lee	455/556.1
2004/0142718	A1 *	7/2004	Kim	455/550.1
2004/0203535	A1 *	10/2004	Kim et al.	455/90.3
2004/0209645	A1 *	10/2004	Park et al.	455/556.1
2005/0245296	A1 *	11/2005	Hong et al.	455/575.3
2005/0261041	A1 *	11/2005	Im	455/575.3
2005/0282596	A1 *	12/2005	Park et al.	455/575.3
2006/0094482	A1 *	5/2006	Takagi	455/575.3

OTHER PUBLICATIONS

Samsung D300 telephone, announced Feb. 2006, [online],
[retrieved on Mar. 2, 2007]. Retrieved from Internet , <URL:
<http://www.gsmarena.com>>.*

LG U310 telephone, announced Oct. 2006, [online],
[retrieved on Mar. 6, 2007]. Retrieved from Internet , <URL:
<http://www.gsmarena.com>>.*

Samsung D810 telephone, announced 1st Q 2006, [online],
[retrieved on Mar. 5, 2007]. Retrieved from Internet , <URL:
<http://www.gsmarena.com>>.*

* cited by examiner

Primary Examiner—Jeffrey Asch
(74) *Attorney, Agent, or Firm*—Staas & Halsey LLP

(57) **CLAIM**

The ornamental design for the mobile phone, as shown and described.

DESCRIPTION

FIG. 1 is a perspective view of the mobile phone showing our design;

FIG. 2 is a front view thereof;

FIG. 3 is a rear view thereof;

FIG. 4 is a left side view thereof;

FIG. 5 is a right side view thereof;

FIG. 6 is a top plan view thereof; and,

FIG. 7 is a bottom plan view thereof.

1 Claim, 3 Drawing Sheets

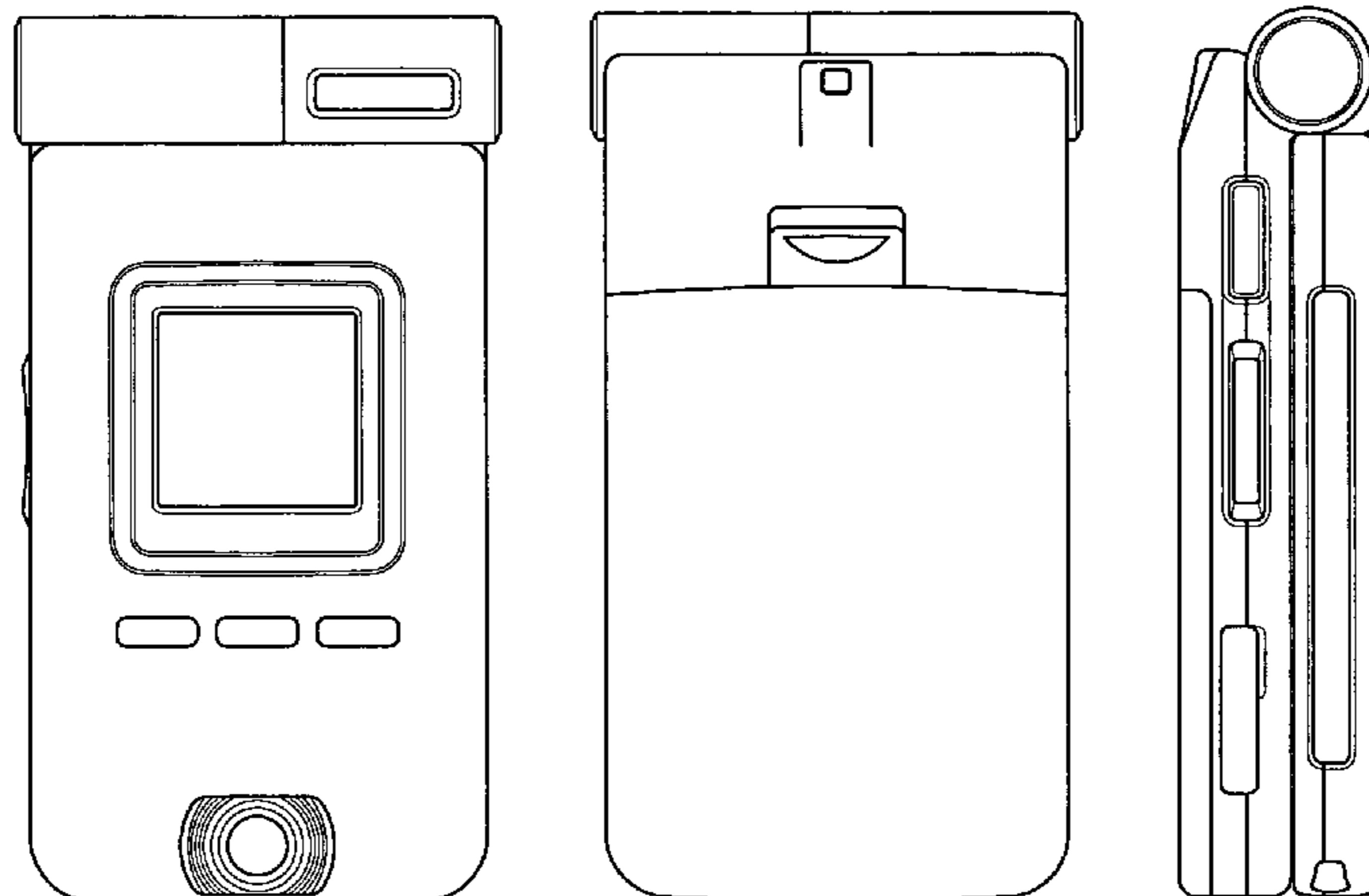


FIG. 1

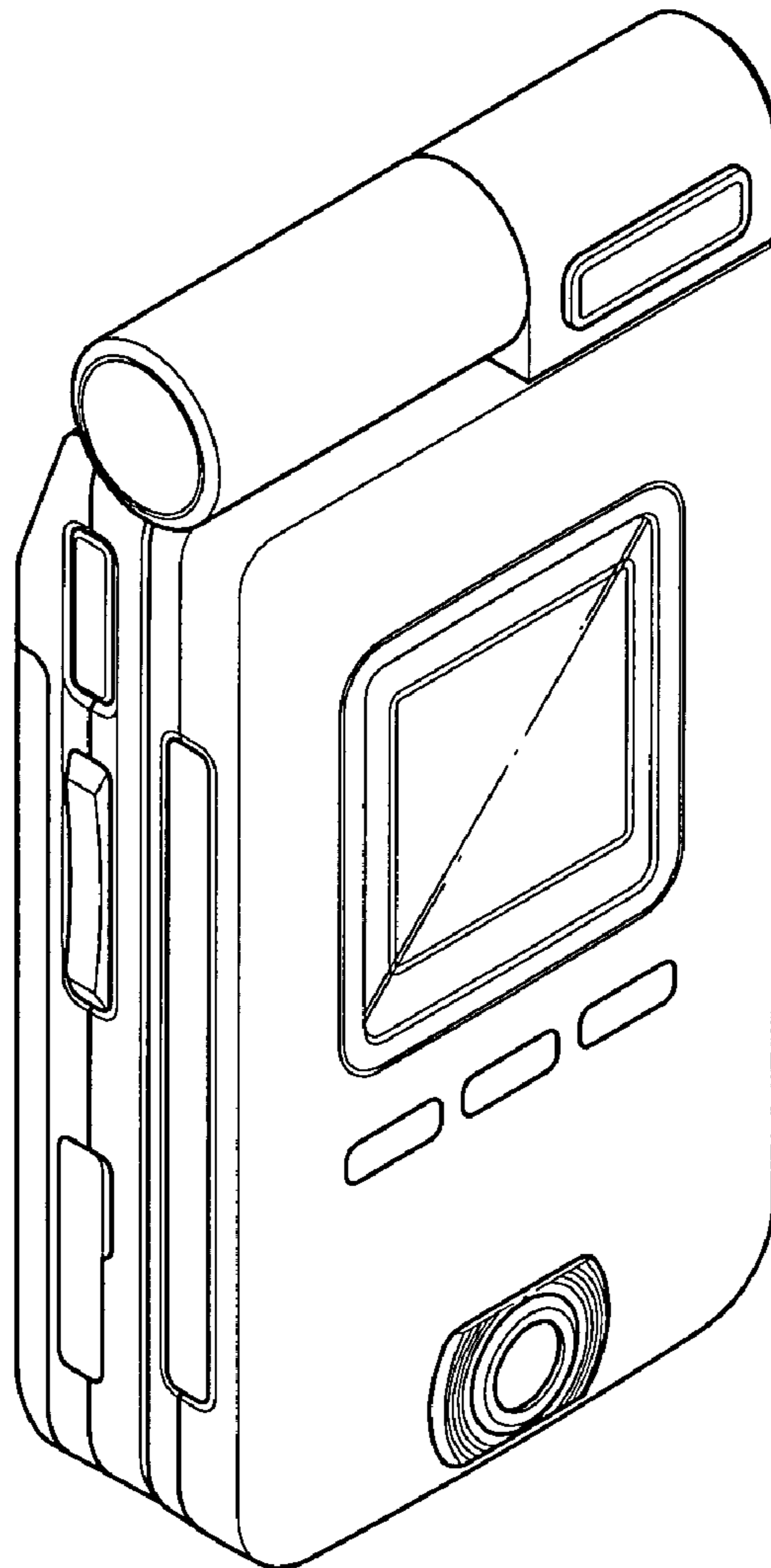


FIG. 2

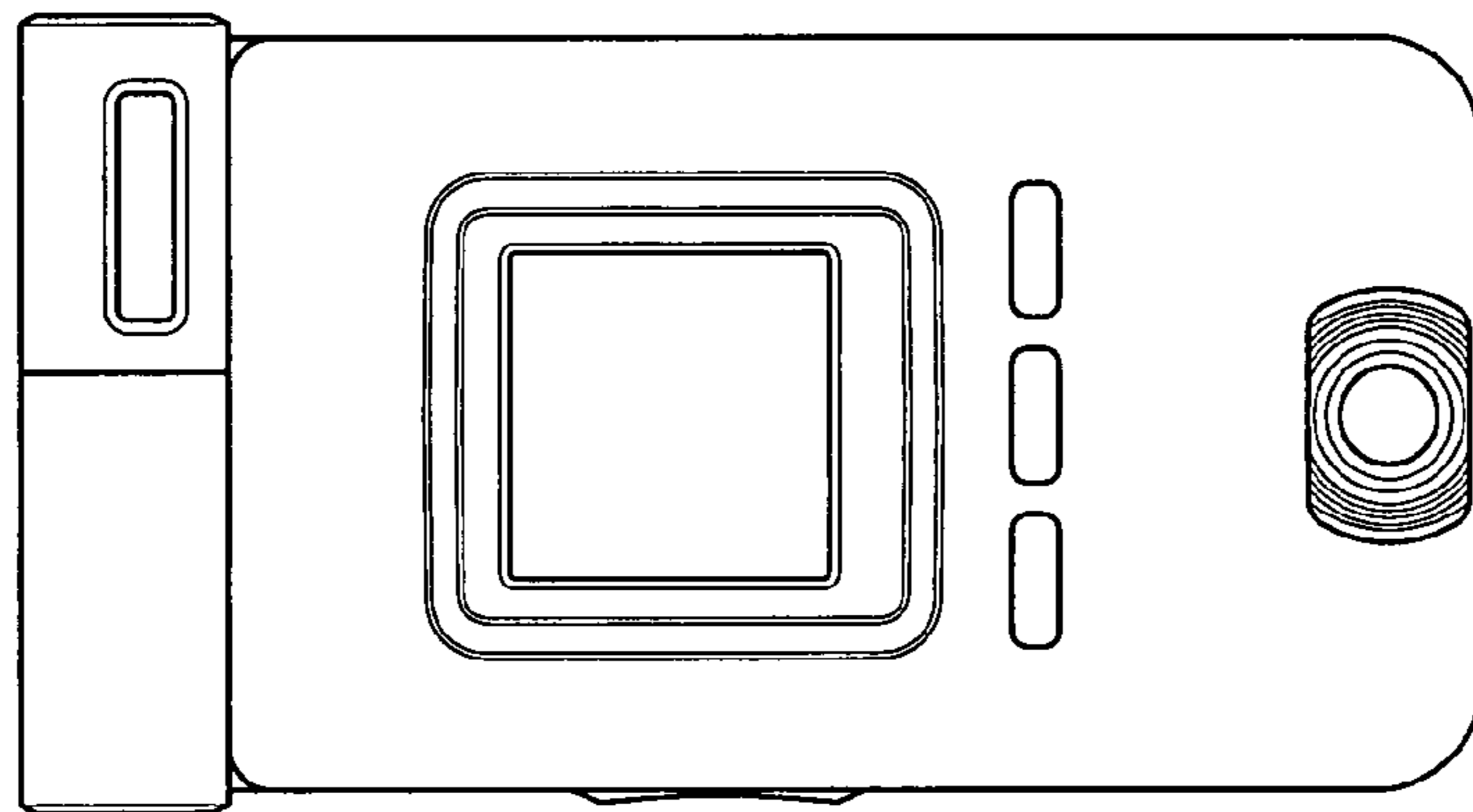


FIG. 3

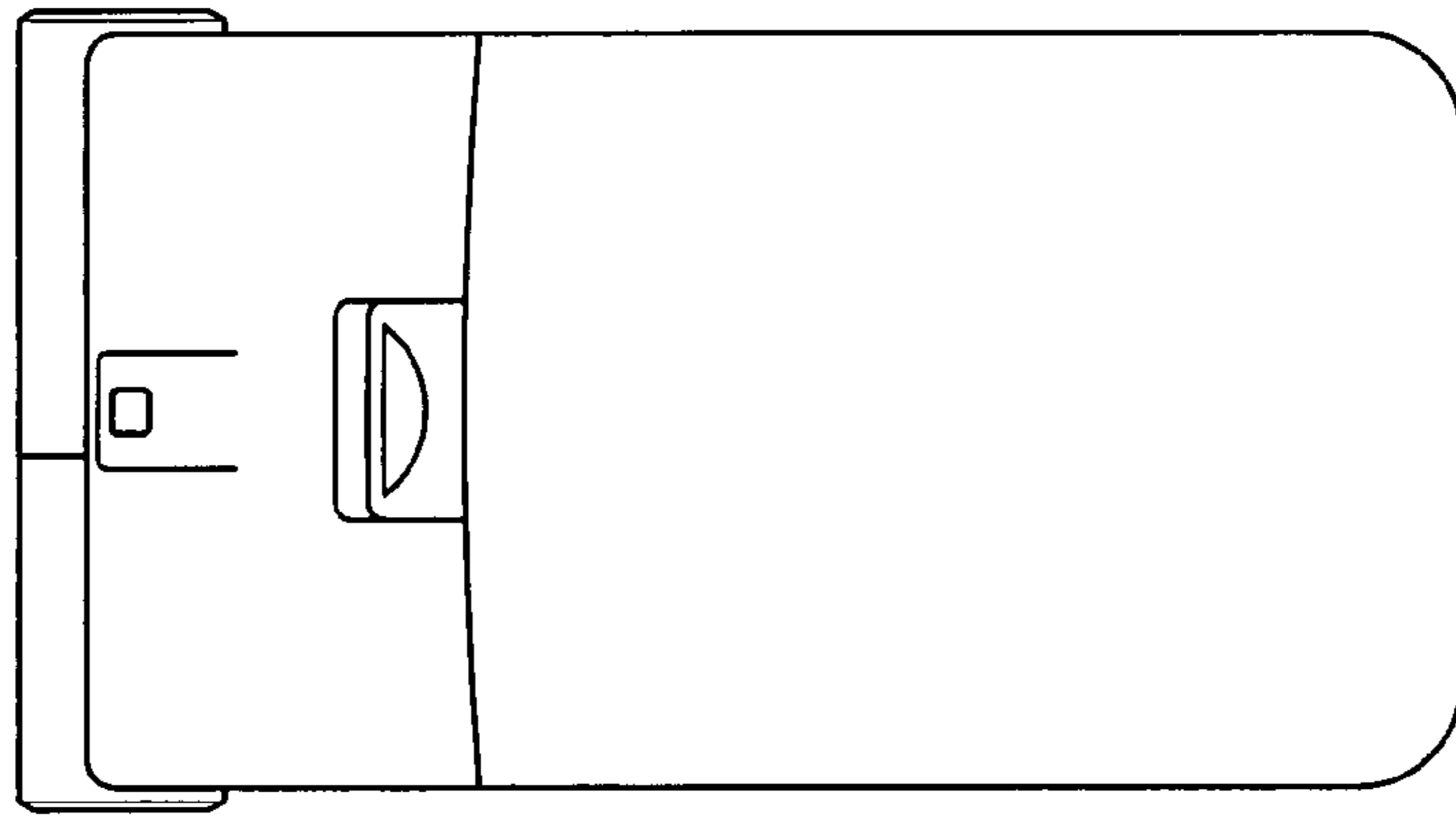


FIG. 4

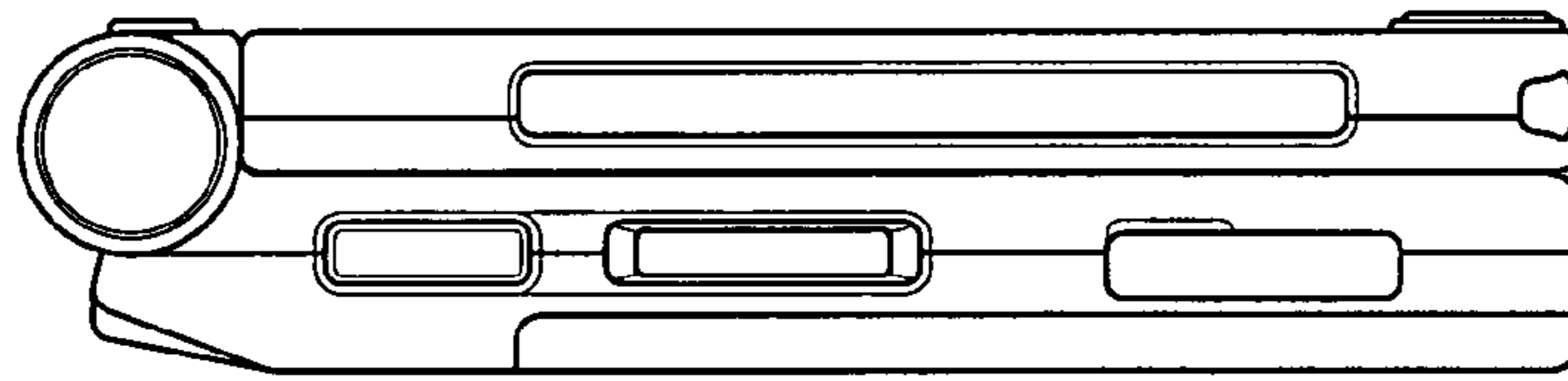


FIG. 5

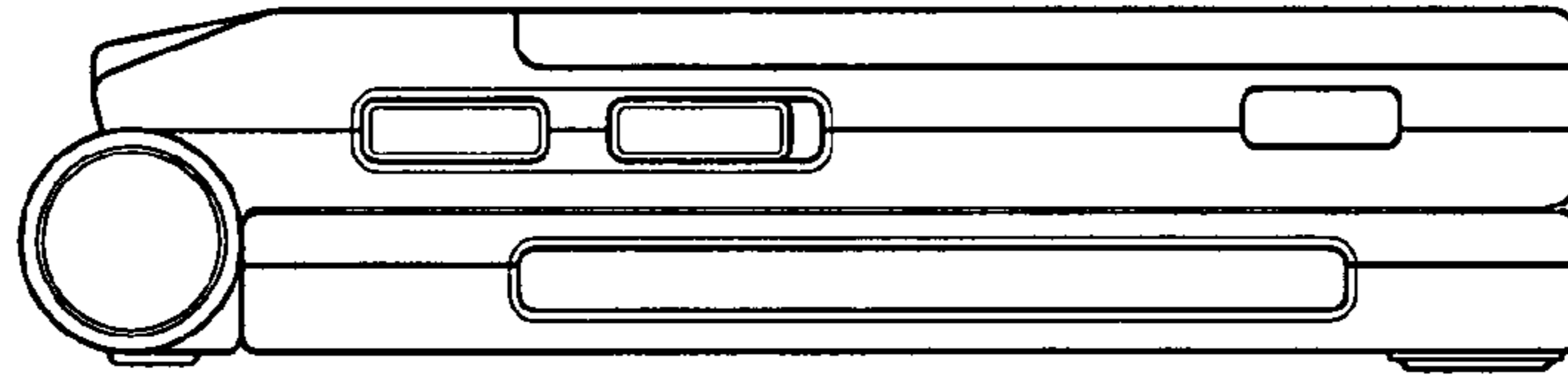


FIG. 6

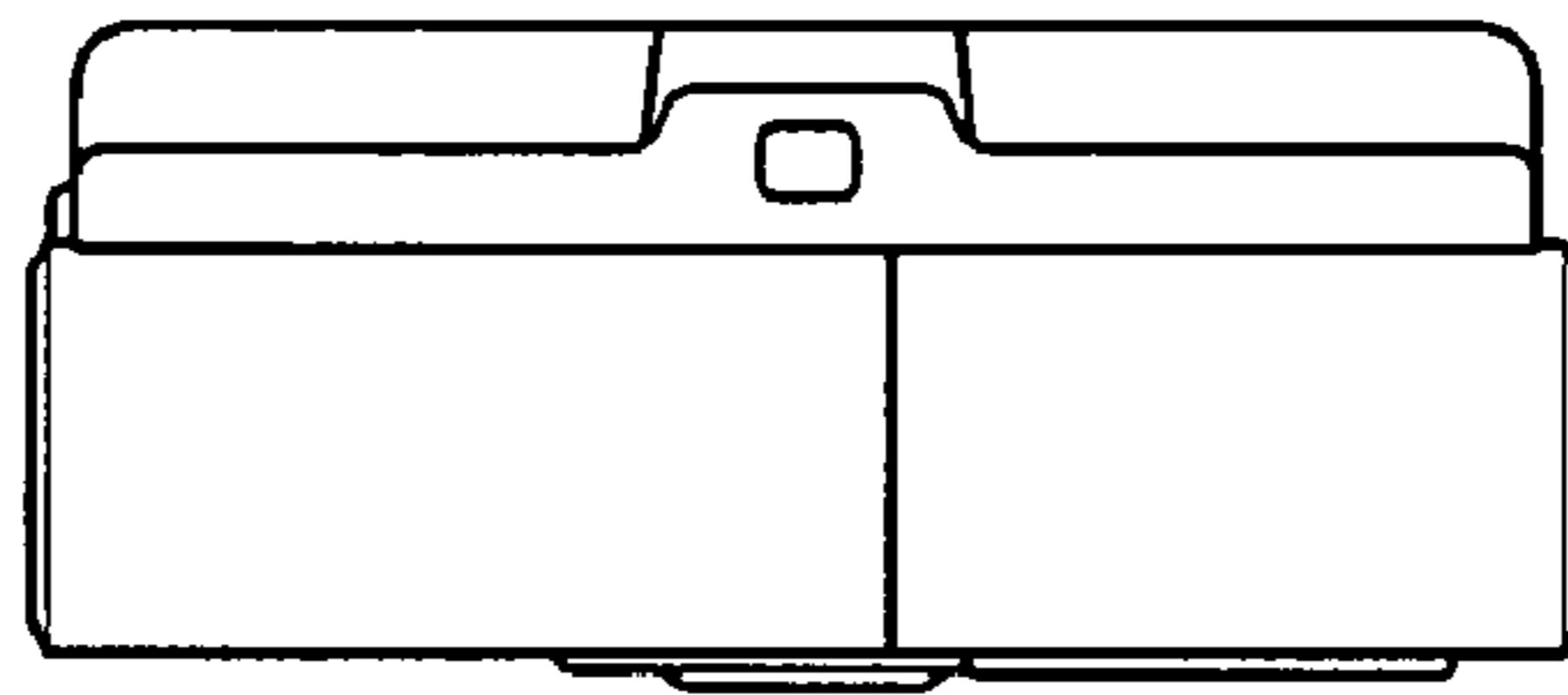


FIG. 7

