

US00D552066S

(12) **United States Design Patent**
Kim et al.

(10) **Patent No.:** **US D552,066 S**
(45) **Date of Patent:** **** Oct. 2, 2007**

(54) **MOBILE PHONE**

D520,482 S * 5/2006 Kim et al. D14/138
7,054,146 B2 * 5/2006 Sutton et al. 361/680

(75) Inventors: **Young-Sae Kim**, Los Altos, CA (US);
Chi-Young Ahn, Seoul (KR);
Young-Ju Yeo, Seoul (KR);
Chang-Hwan Hwang, Goyang-si (KR)

(Continued)

FOREIGN PATENT DOCUMENTS

WO DM/067361 * 9/2005

(73) Assignee: **Samsung Electronics Co., Ltd.**,
Suwon-Si (KR)

OTHER PUBLICATIONS

(**) Term: **14 Years**

LG KU730 telephone, announced Feb. 2006, [online], [retrieved on Mar. 29, 2007]. Retrieved from Internet , <URL: <http://www.gsmarena.com>>.*

(21) Appl. No.: **29/243,603**

Haier N60 telephone, announced 1st quarter 2005, [online], [retrieved on Mar. 29, 2007]. Retrieved from Internet , <URL: <http://www.gsmarena.com>>.*

(22) Filed: **Nov. 29, 2005**

NEC 802 telephone, announced 3rd quarter 2004, [online], [retrieved on Mar. 29, 2007]. Retrieved from Internet , <URL: <http://www.gsmarena.com>>.*

(30) **Foreign Application Priority Data**

Jun. 27, 2005 (KR) 30-2005-0021402

Pantech PG-2800 telephone, announced May 2006, [online], [retrieved on Mar. 16, 2007]. Retrieved from Internet , <URL: <http://www.gsmarena.com>>.*

(51) **LOC (8) Cl.** **14-03**

(52) **U.S. Cl.** **D14/138**

(58) **Field of Classification Search** D14/138,
D14/341-347, 147-148, 496; 379/433.01-433.13;
455/575.3, 575.4, 566, 575.1, 556.1, 556.2,
455/90.3

Primary Examiner—Jeffrey Asch

(74) *Attorney, Agent, or Firm*—Staas & Halsey LLP

See application file for complete search history.

(57) **CLAIM**

The ornamental design for the mobile phone, as shown and described.

(56) **References Cited**

U.S. PATENT DOCUMENTS

6,628,508 B2 * 9/2003 Lieu et al. 361/680
D487,066 S * 2/2004 Gartrell et al. D14/138
D487,443 S * 3/2004 Yoon D14/138
D495,672 S * 9/2004 Jeon et al. D14/138
D506,191 S * 6/2005 Majanen D14/138
D507,551 S * 7/2005 Kim et al. D14/138
D507,787 S * 7/2005 Ahn et al. D14/138
D508,475 S * 8/2005 Wu et al. D14/138
D508,685 S * 8/2005 Kim et al. D14/138
D510,922 S * 10/2005 Kim et al. D14/138
D511,336 S * 11/2005 Kim et al. D14/138
D512,396 S * 12/2005 Kim et al. D14/138
D512,975 S * 12/2005 Tsai et al. D14/138
D518,467 S * 4/2006 Kim et al. D14/138
D518,812 S * 4/2006 Kim et al. D14/138

DESCRIPTION

FIG. 1 is a perspective view of the mobile phone showing our design;

FIG. 2 is a front view thereof;

FIG. 3 is a rear view thereof;

FIG. 4 is a left side view thereof;

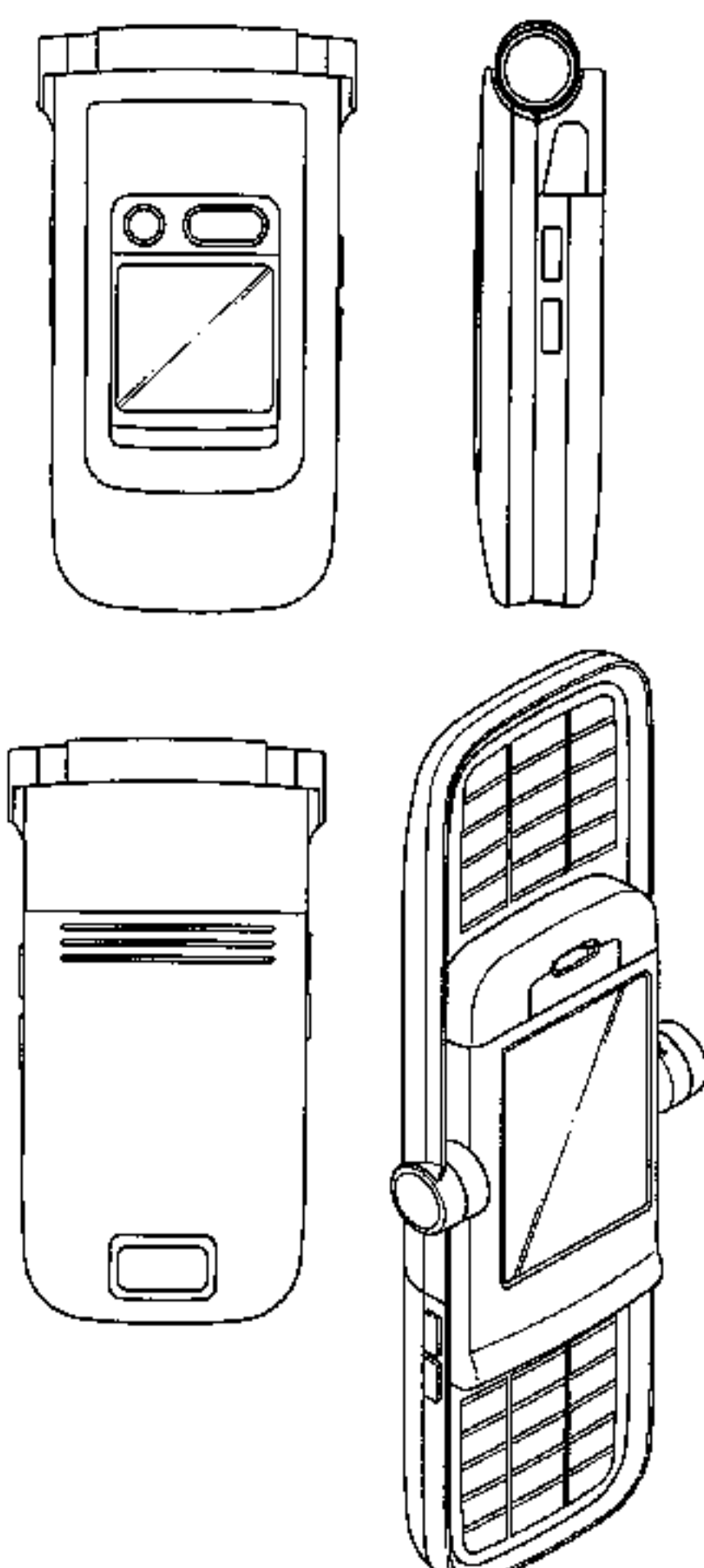
FIG. 5 is a right side view thereof;

FIG. 6 is a top plan view thereof; and

FIG. 7 is a bottom plan view thereof; and,

FIG. 8 is a perspective, open view, thereof.

1 Claim, 3 Drawing Sheets



US D552,066 S

Page 2

U.S. PATENT DOCUMENTS

7,099,708	B2 *	8/2006	Ronkko	455/575.1	2004/0185920	A1 *	9/2004	Choi et al.	455/575.1
D536,325	S *	2/2007	Kim et al.	D14/138	2004/0203535	A1 *	10/2004	Kim et al.	455/90.3
D537,426	S *	2/2007	Arbisi	D14/138	2005/0003852	A1 *	1/2005	Song	455/550.1
D538,771	S *	3/2007	Bower	D14/138	2005/0113156	A1 *	5/2005	Park et al.	455/575.4
2002/0006815	A1 *	1/2002	Finke-Anlauff	455/575	2006/0105824	A1 *	5/2006	Kim et al.	455/575.8
2003/0073414	A1 *	4/2003	P. Capps	455/90	2006/0223595	A1 *	10/2006	Kim	455/575.3
2004/0097262	A1 *	5/2004	Lee	455/556.1	2007/0032260	A1 *	2/2007	Kim	455/550.1
2004/0106429	A1 *	6/2004	Park et al.	455/550.1					

* cited by examiner

FIG. 1

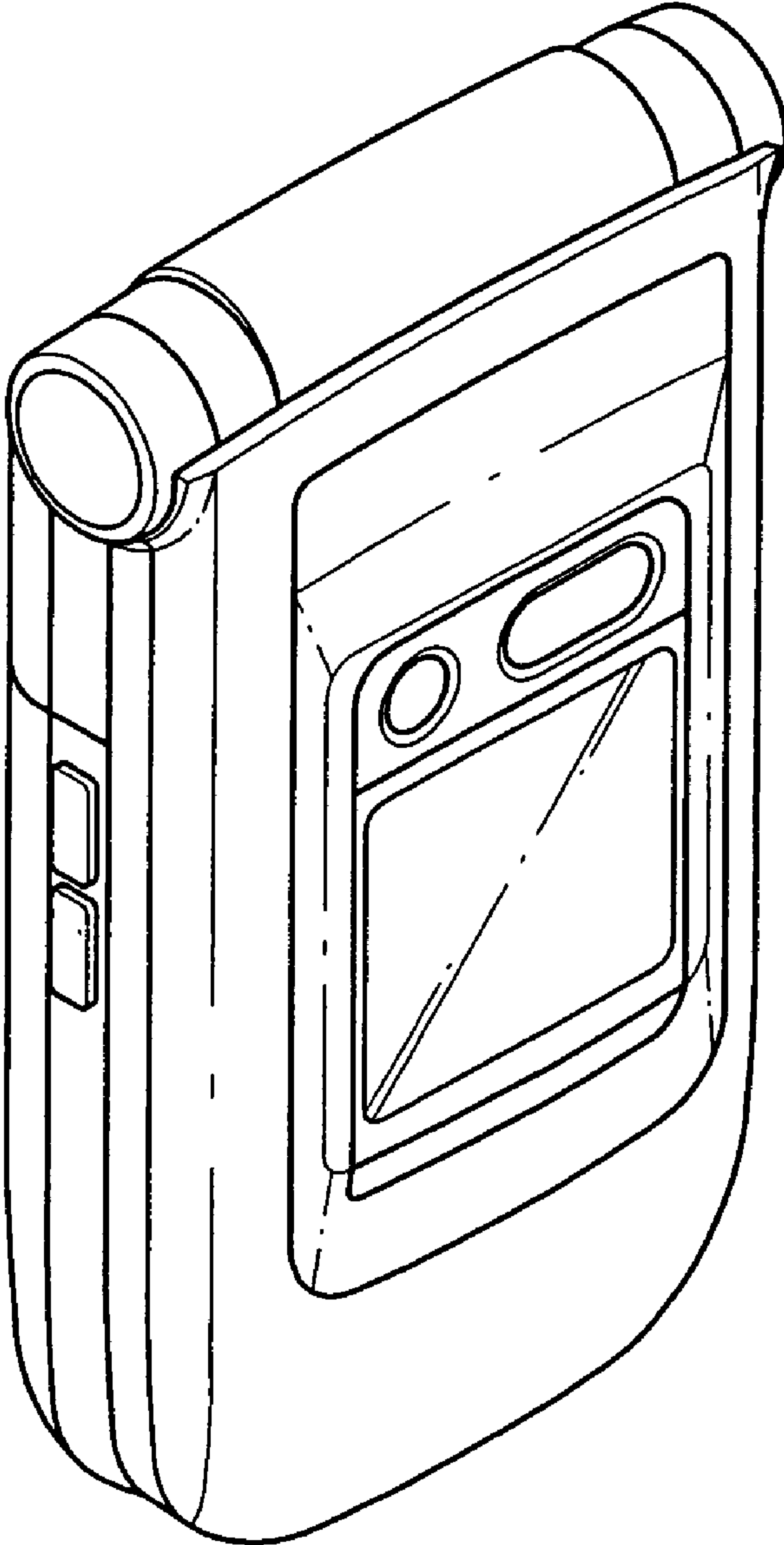


FIG. 2

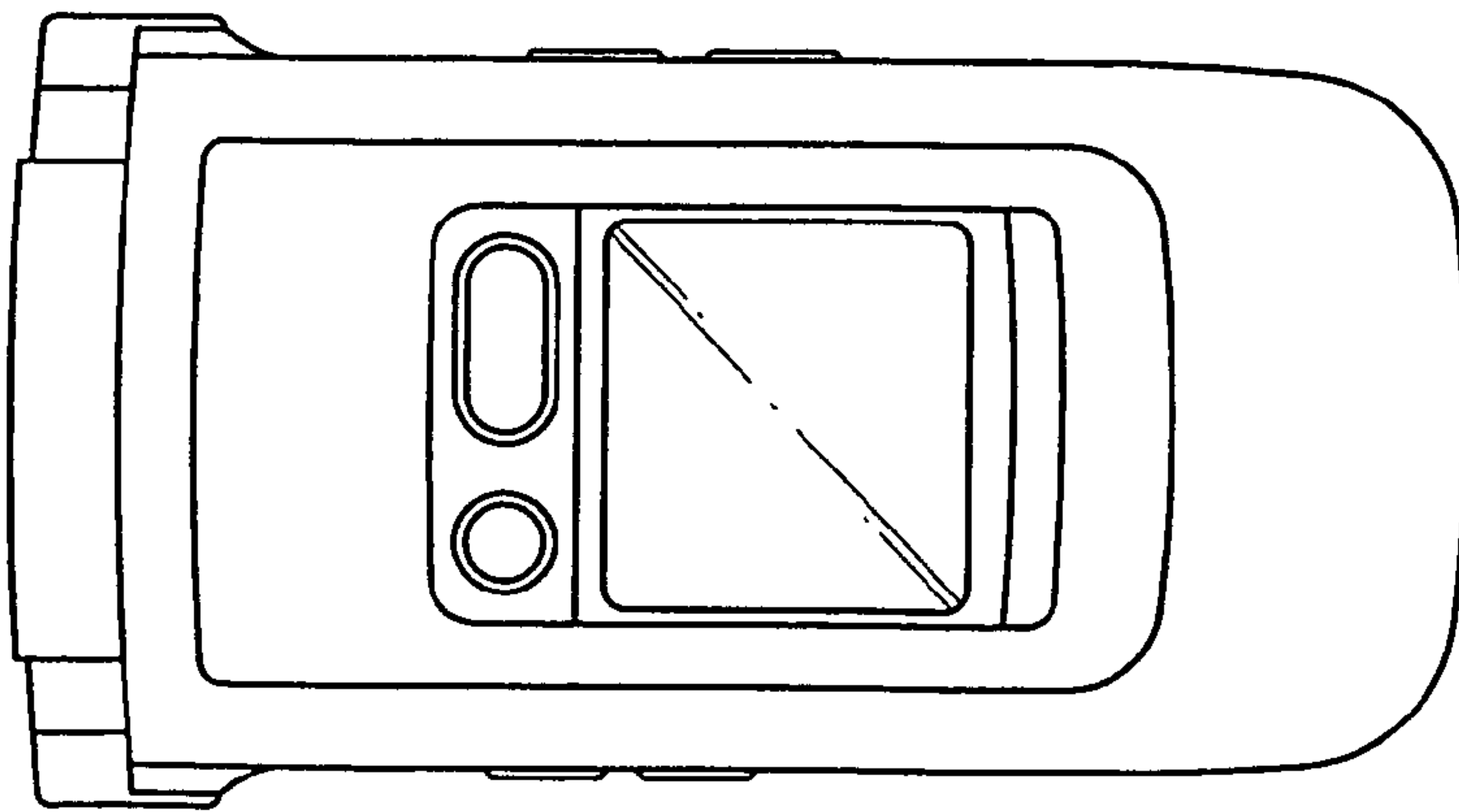


FIG. 3

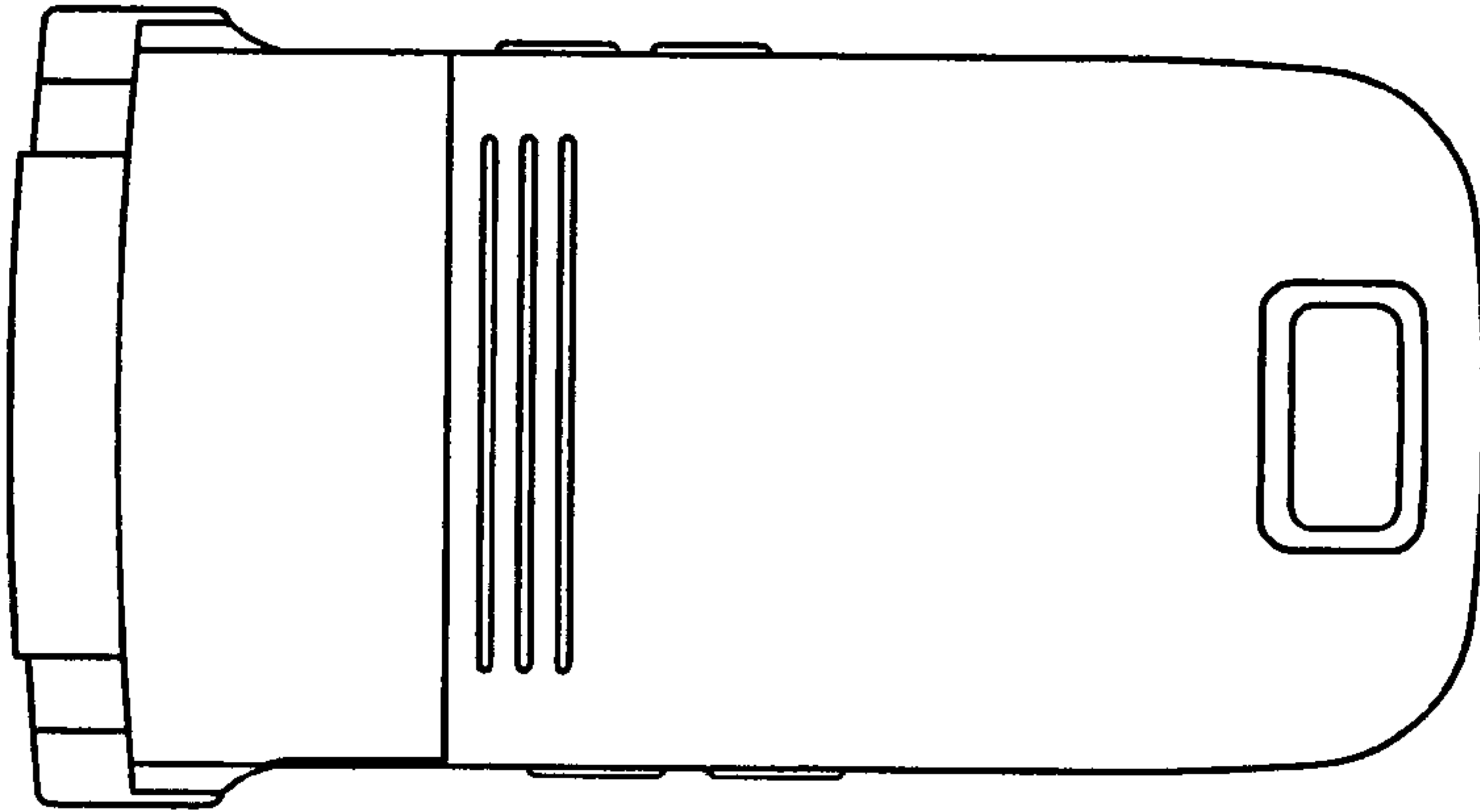


FIG. 4

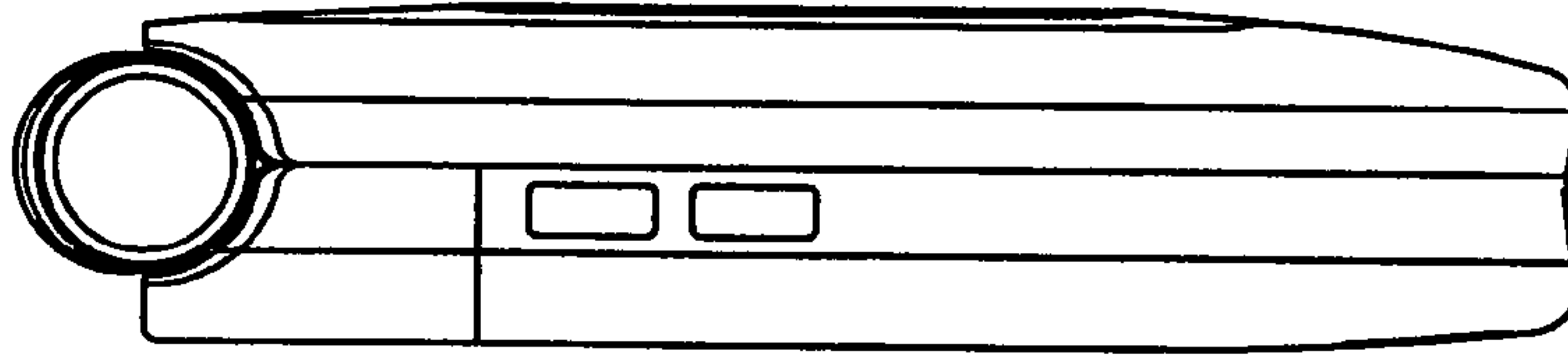


FIG. 5

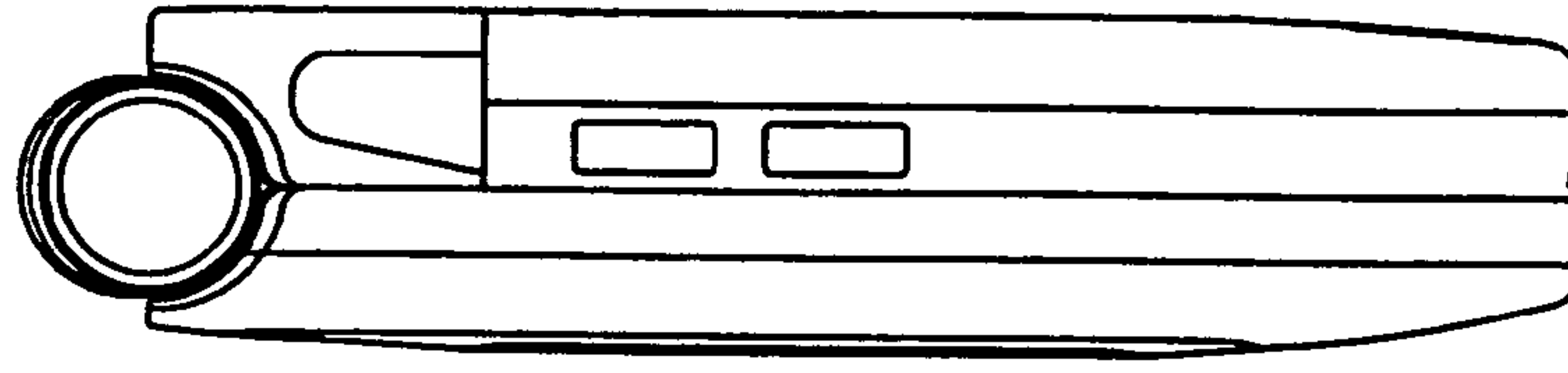


FIG. 6

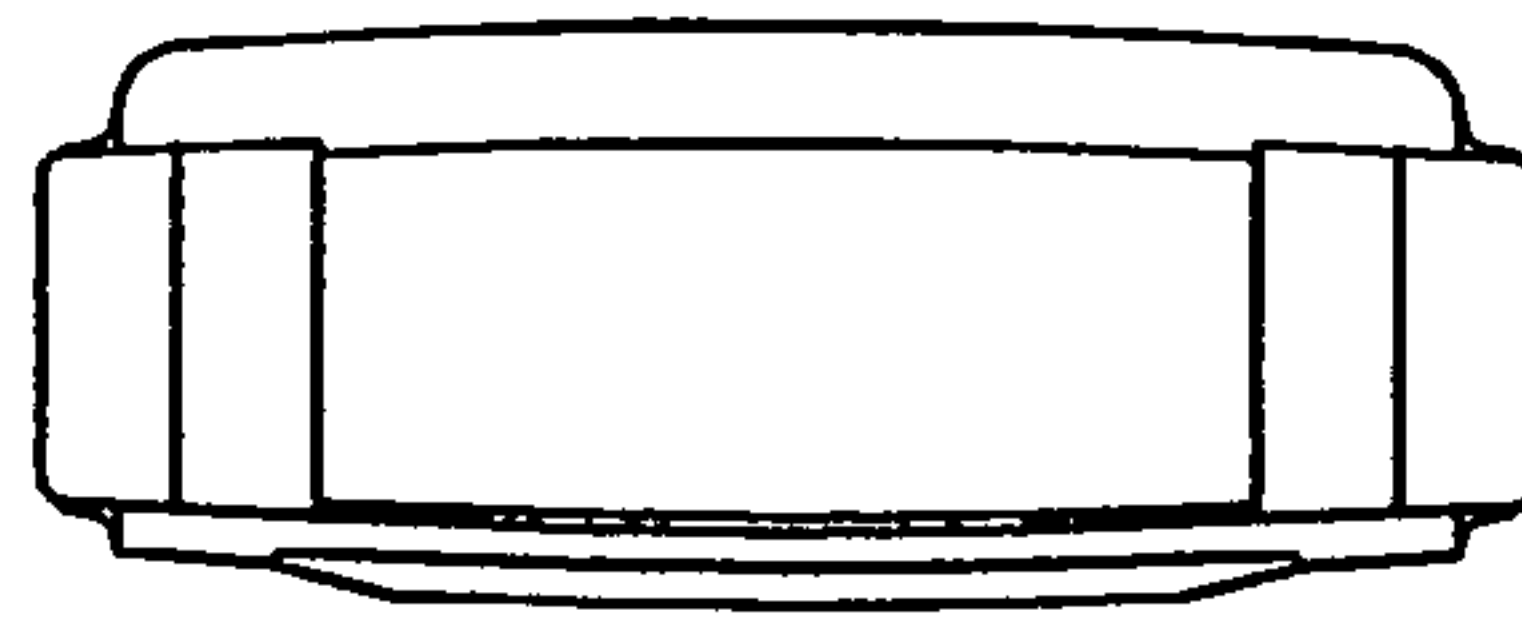


FIG. 7

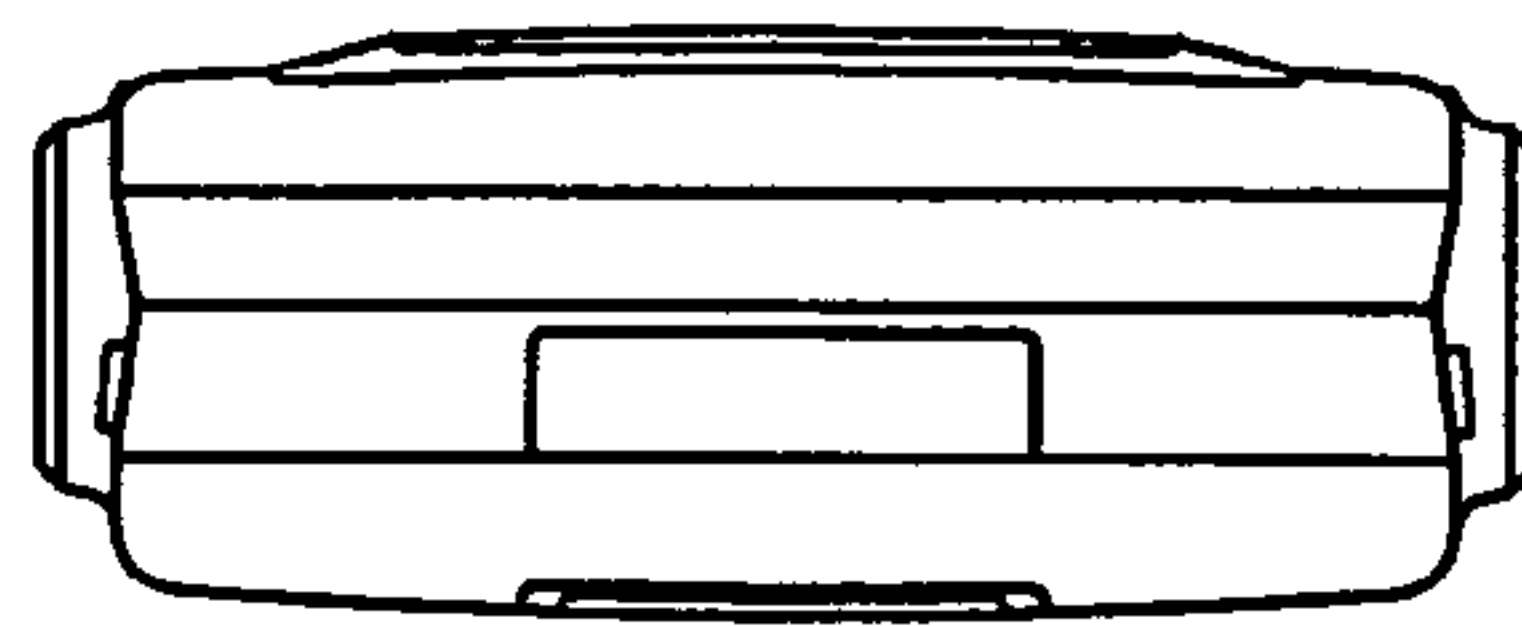


FIG. 8

