



US00D552051S

(12) **United States Design Patent**
Lozano

(10) **Patent No.:** **US D552,051 S**
(45) **Date of Patent:** **** Oct. 2, 2007**

(54) **HOME THEATER ASSEMBLY INCLUDING VIDEO DISPLAY PANEL SUSPENDABLE ON ASSOCIATED WALL SURFACE AND OPERABLY CONNECTABLE TO AUDIO COMPONENTS CONTAINED WITHIN UNDERLYING CABINET**

D513,501 S * 1/2006 Asanuma et al. D14/129

* cited by examiner

Primary Examiner—Raphael Barkai

(74) *Attorney, Agent, or Firm*—John J. Leavitt

(76) **Inventor:** **Anthony Lozano**, 33 S. Third St., Apt. 215, San Jose, CA (US) 95112

(**) **Term:** **14 Years**

(21) **Appl. No.:** **29/243,834**

(22) **Filed:** **Dec. 1, 2005**

(51) **LOC (8) Cl.** **14-03**

(52) **U.S. Cl.** **D14/129**

(58) **Field of Classification Search** D14/125–134, D14/239, 371, 136, 374–377; 312/7.2; 348/836, 348/838, 180, 184, 325, 739; 341/12; 248/917–924, 248/465; 345/104, 133, 156, 168, 87, 173; 720/605, 669, 600, 655; 369/99, 197; 455/344–347
See application file for complete search history.

(56) **References Cited**

U.S. PATENT DOCUMENTS

- 5,582,373 A * 12/1996 Baudot 248/166
- D422,575 S * 4/2000 Tikhonski et al. D14/374
- D438,848 S * 3/2001 Kita D14/126
- D460,056 S * 7/2002 Niitsu D14/126

(57) **CLAIM**

The ornamental design for a home theater assembly including video display panel suspendable on associated wall surface and operably connectable to audio components contained within underlying cabinet, as shown and described.

DESCRIPTION

FIG. 1 is a rear perspective view of a home theater assembly including video display panel suspendable on associated wall surface and operably connectable to audio components contained within underlying cabinet showing my new design;

FIG. 2 is a front elevational view thereof;

FIG. 3 is a right side elevational view thereof;

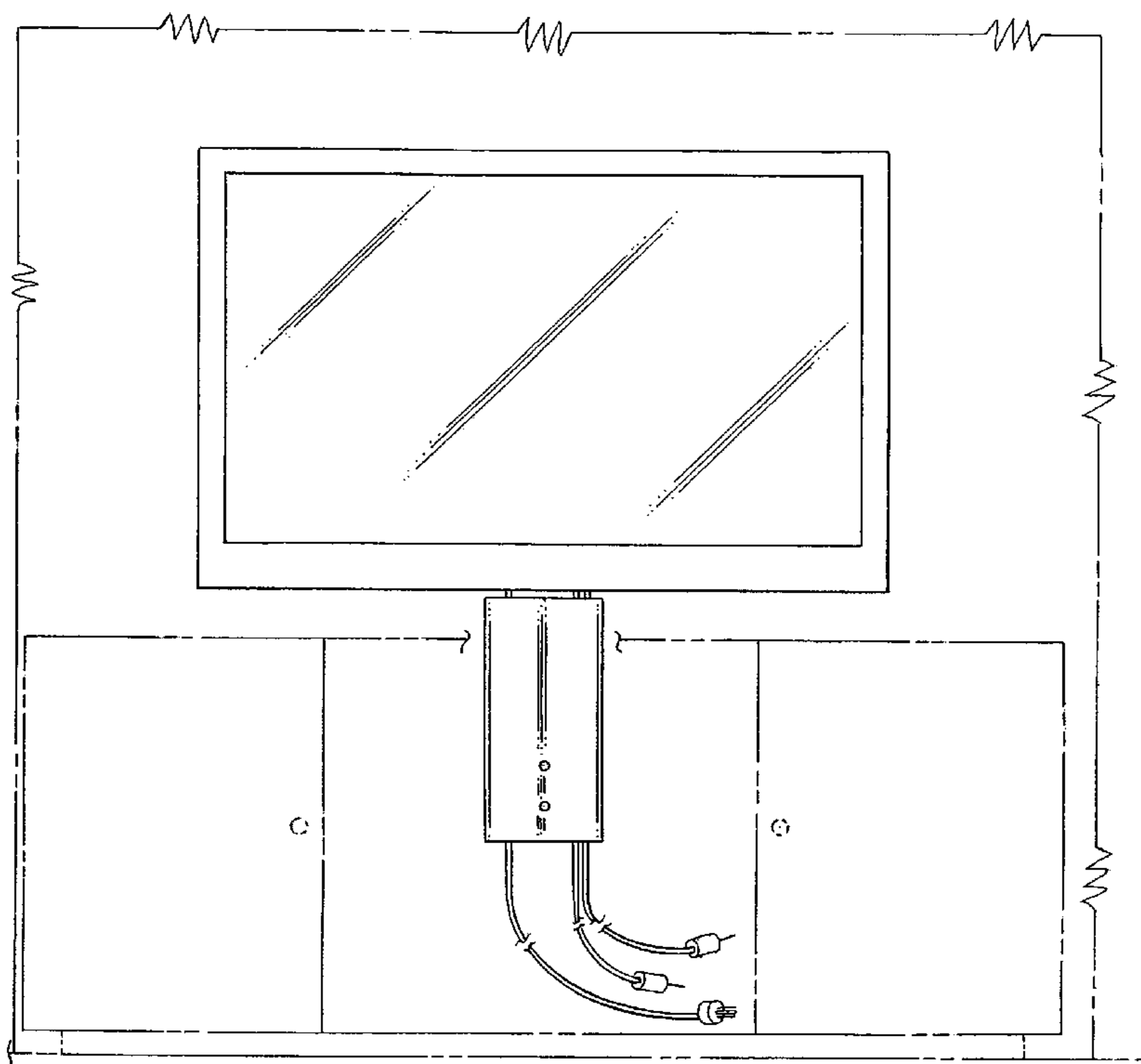
FIG. 4 is a left side elevational view thereof;

FIG. 5 is a top plan view thereof; and,

FIG. 6 is a bottom plan view thereof.

The broken lines shown in FIGS. 1–6 are for illustrative purposes only and form no part of the claimed design.

1 Claim, 3 Drawing Sheets



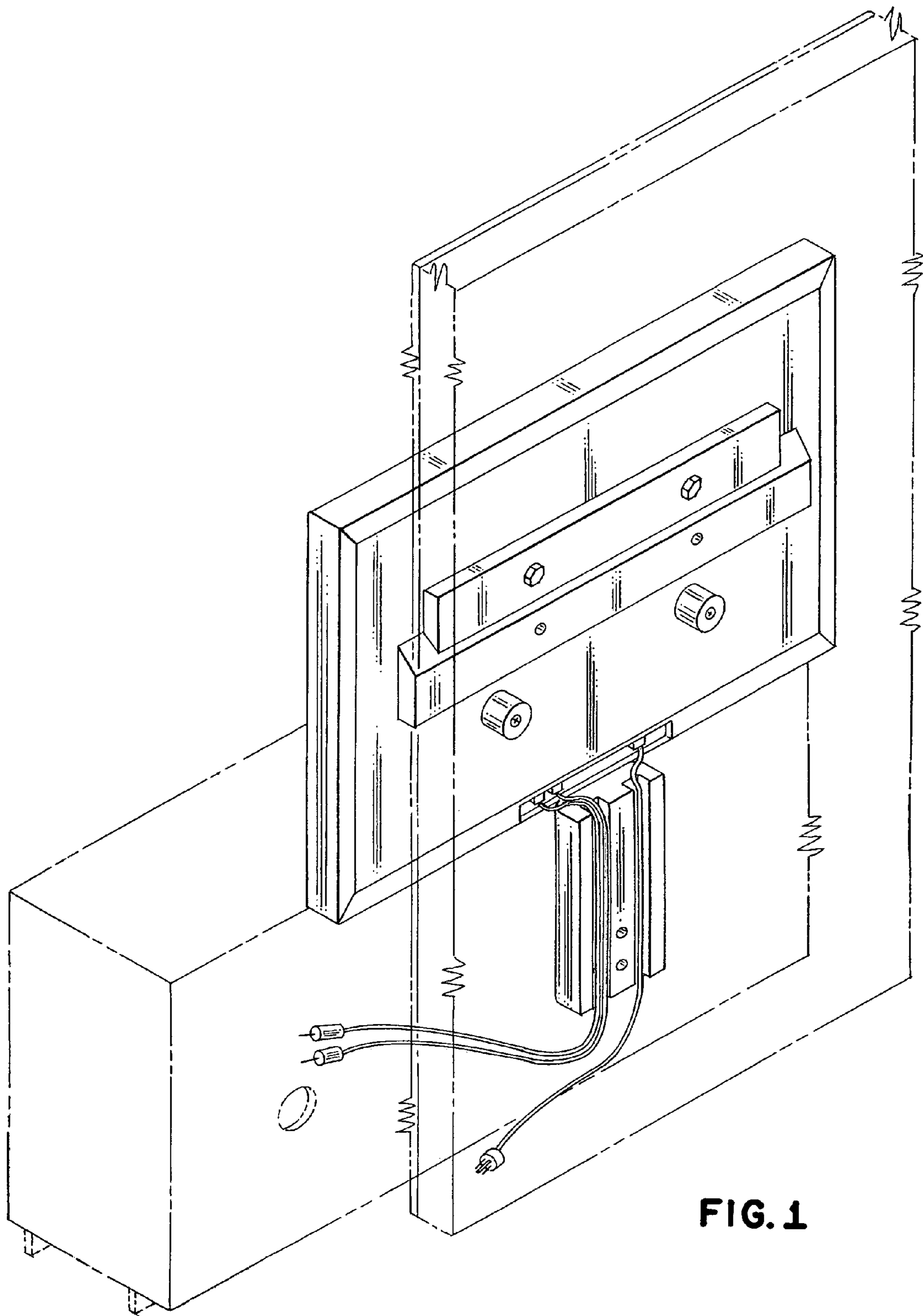


FIG. 1

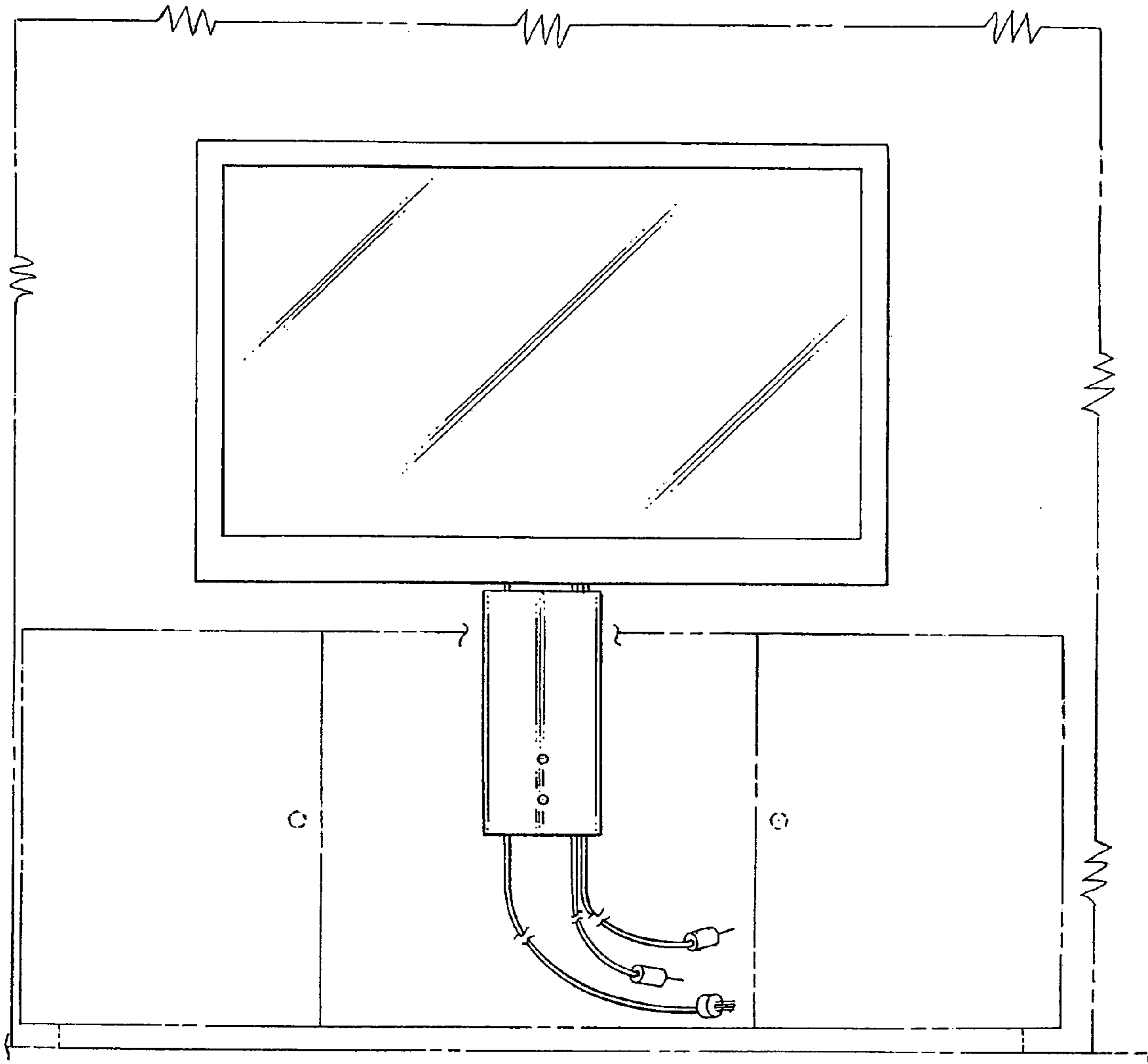


FIG. 2

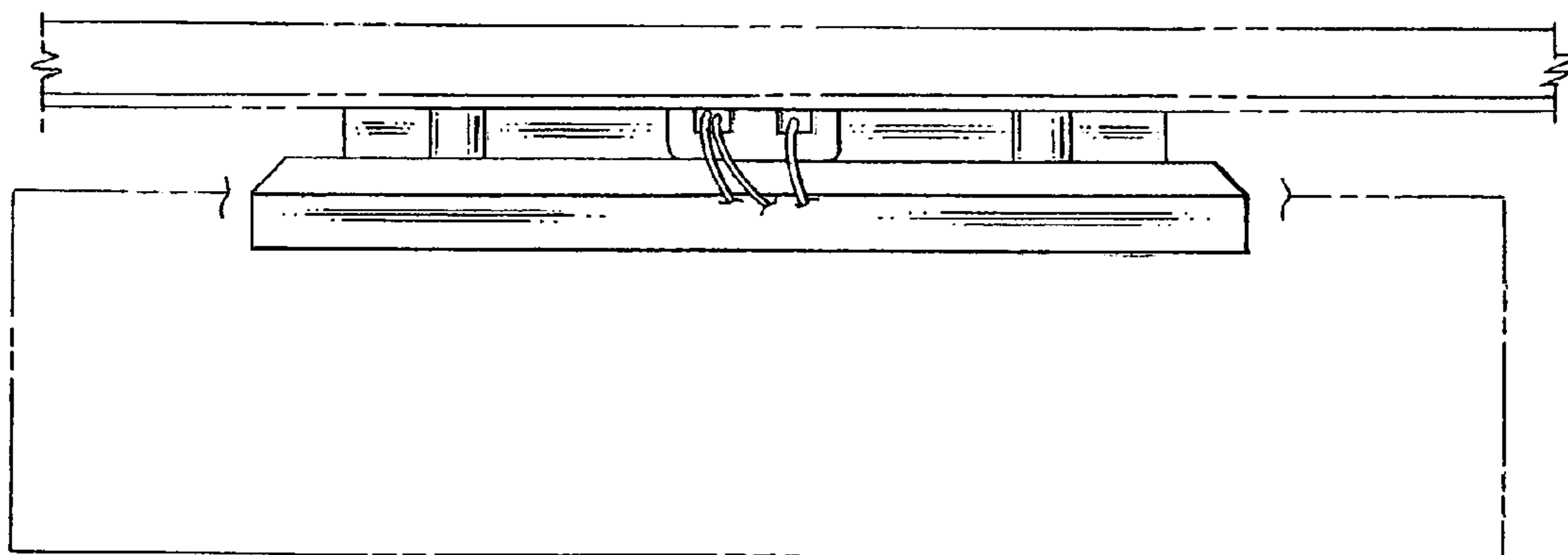


FIG. 6

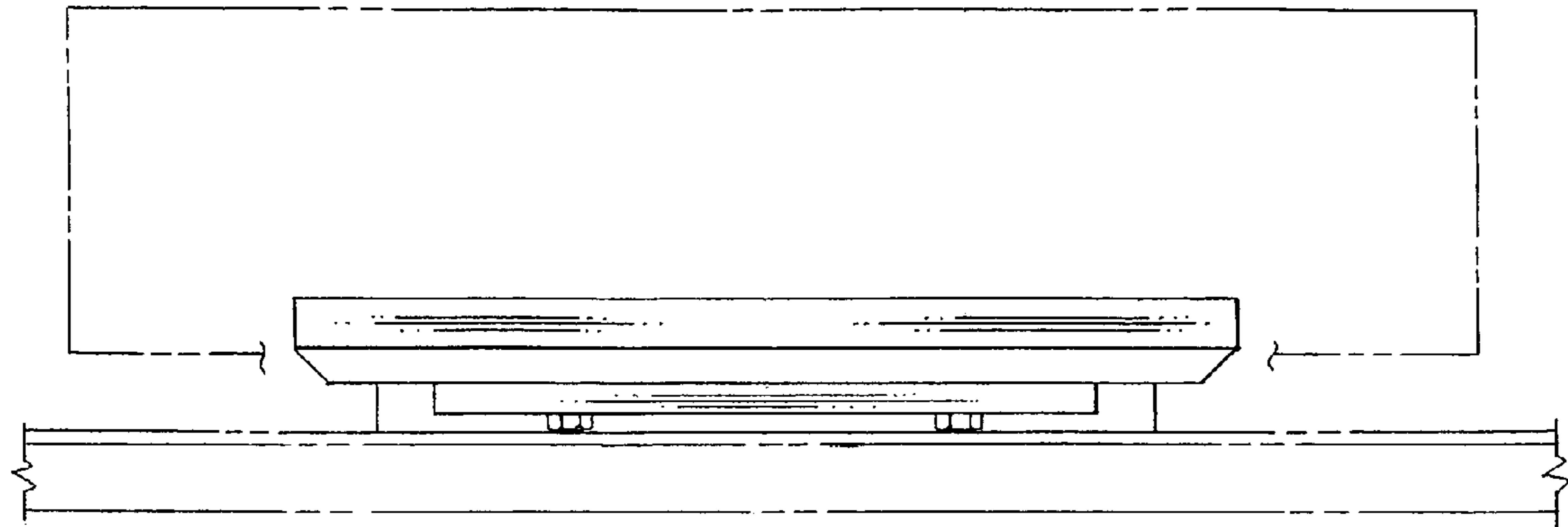


FIG. 5

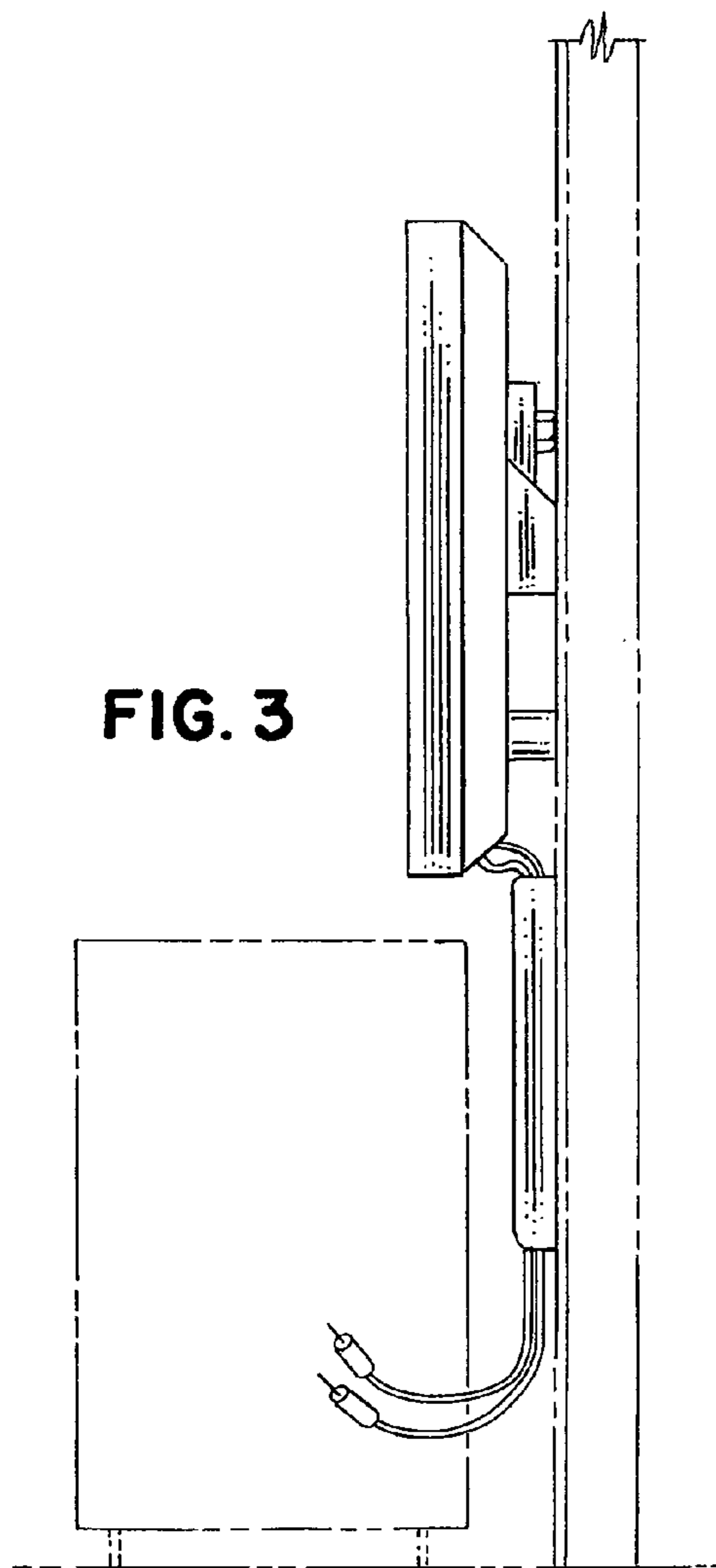


FIG. 3

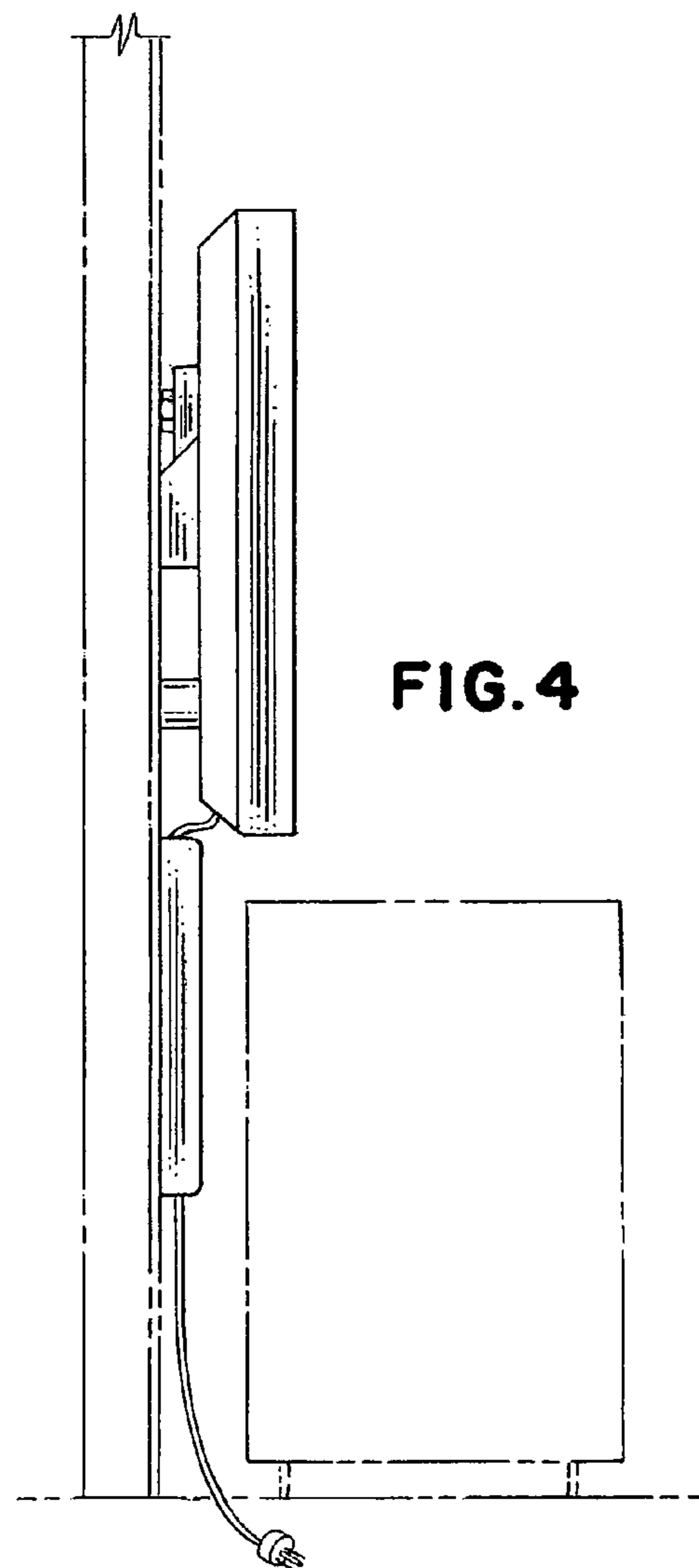


FIG. 4