



US00D552046S

(12) **United States Design Patent**
Kim et al.

(10) **Patent No.:** **US D552,046 S**

(45) **Date of Patent:** **** Oct. 2, 2007**

(54) **LIGHT-EMITTING DIODE**

(75) Inventors: **Chang Wook Kim**, Anyang (KR);
Hong Min Kim, Suwon (KR)

(73) Assignee: **Samsung Electro-Mechanics Co., Ltd.**
(KR)

(**) Term: **14 Years**

(21) Appl. No.: **29/232,938**

(22) Filed: **Jun. 24, 2005**

Related U.S. Application Data

(63) Continuation-in-part of application No. 29/220,170,
filed on Dec. 27, 2004, now Pat. No. Des. 512,693.

(30) **Foreign Application Priority Data**

Dec. 27, 2004 (KR) 30-2004-0040146

(51) **LOC (8) Cl.** **13-03**

(52) **U.S. Cl.** **D13/180**

(58) **Field of Classification Search** D13/180-182;
257/89, 95, 98-100, 103, 433-434, 666;
313/483, 498, 500; 361/820; 362/235, 249
See application file for complete search history.

(56) **References Cited**

U.S. PATENT DOCUMENTS

D489,693 S * 5/2004 Ishida D13/180

D490,386 S * 5/2004 Ishida D13/180
D495,668 S * 9/2004 Kim et al. D13/180
D537,798 S * 3/2007 Shin et al. D13/180

FOREIGN PATENT DOCUMENTS

JP (2004) 30-0353997 S 7/2004

* cited by examiner

Primary Examiner—Marcus A. Jackson

(74) *Attorney, Agent, or Firm*—The Webb Law Firm

(57) **CLAIM**

The ornamental design for a light-emitting diode, as shown
and described.

DESCRIPTION

FIG. 1 is a perspective view of a light-emitting diode;

FIG. 2 is a front view thereof;

FIG. 3 is a rear view thereof;

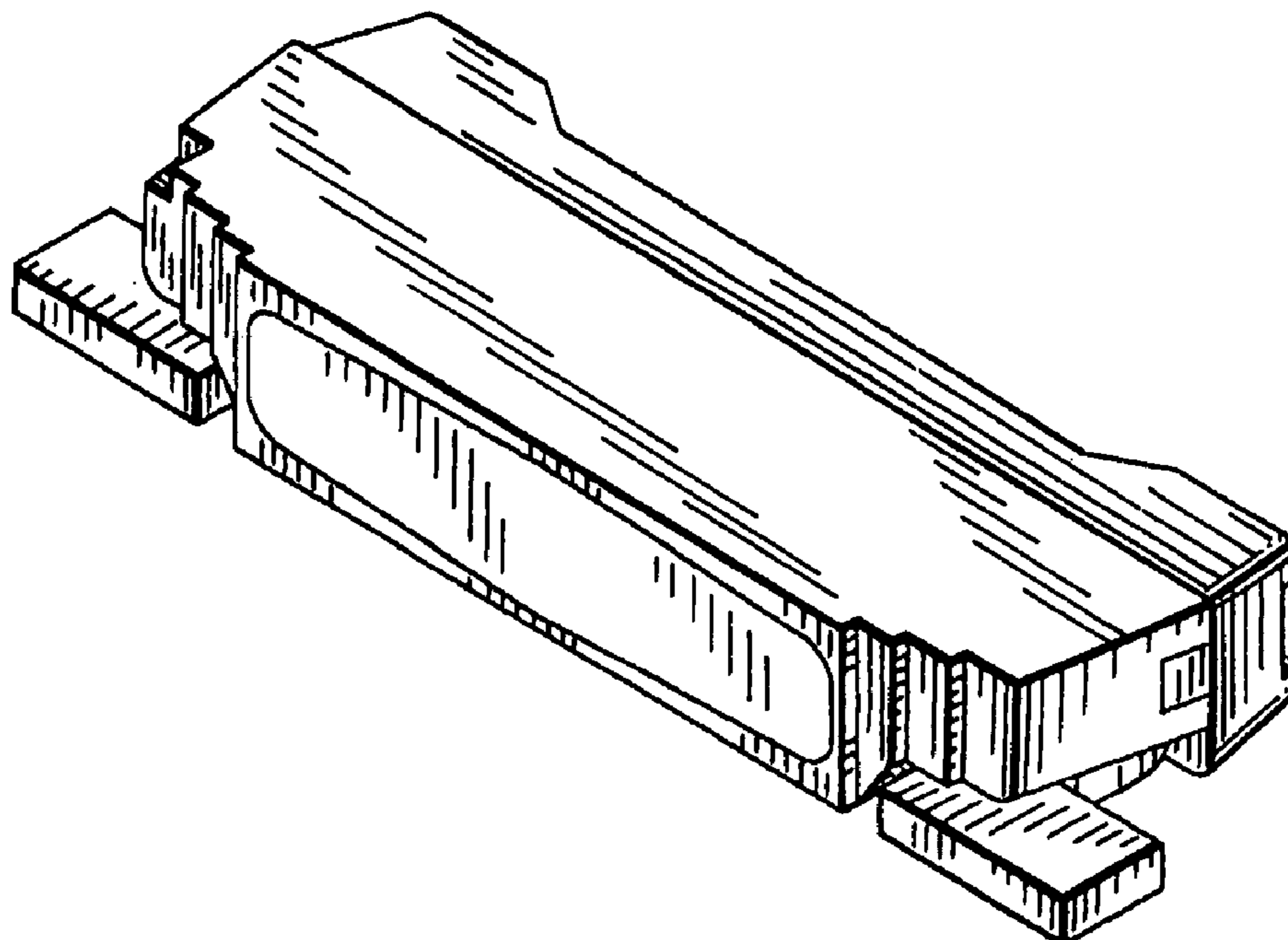
FIG. 4 is a left side view thereof;

FIG. 5 is a right side view thereof;

FIG. 6 is a top plan view thereof; and,

FIG. 7 is a bottom view thereof.

1 Claim, 2 Drawing Sheets



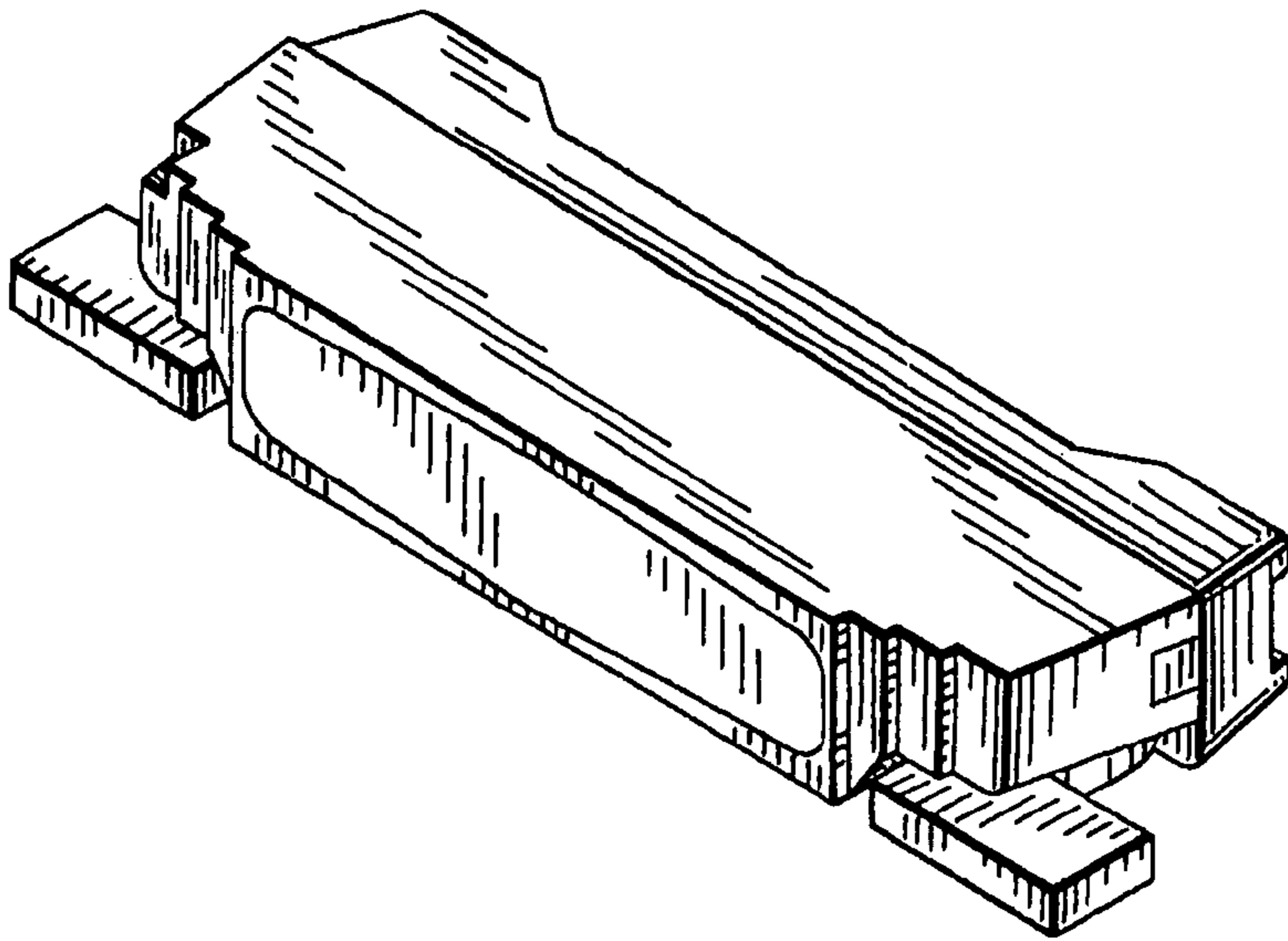


FIG. 1

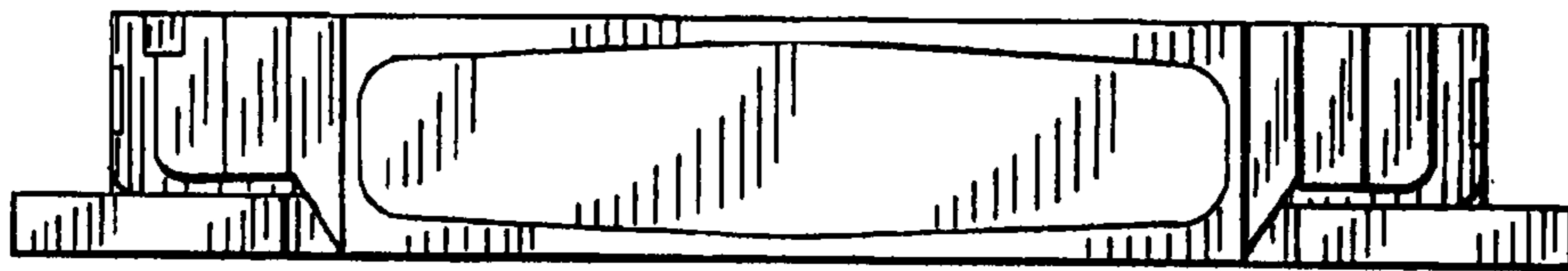


FIG. 2

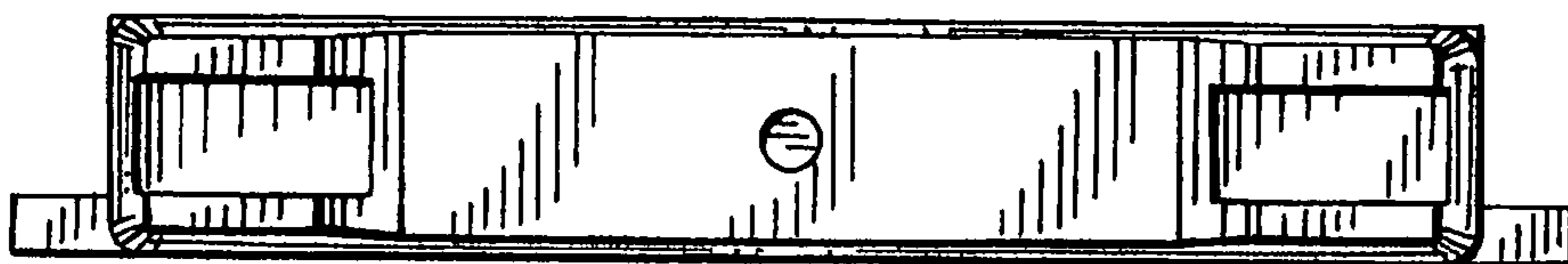


FIG. 3

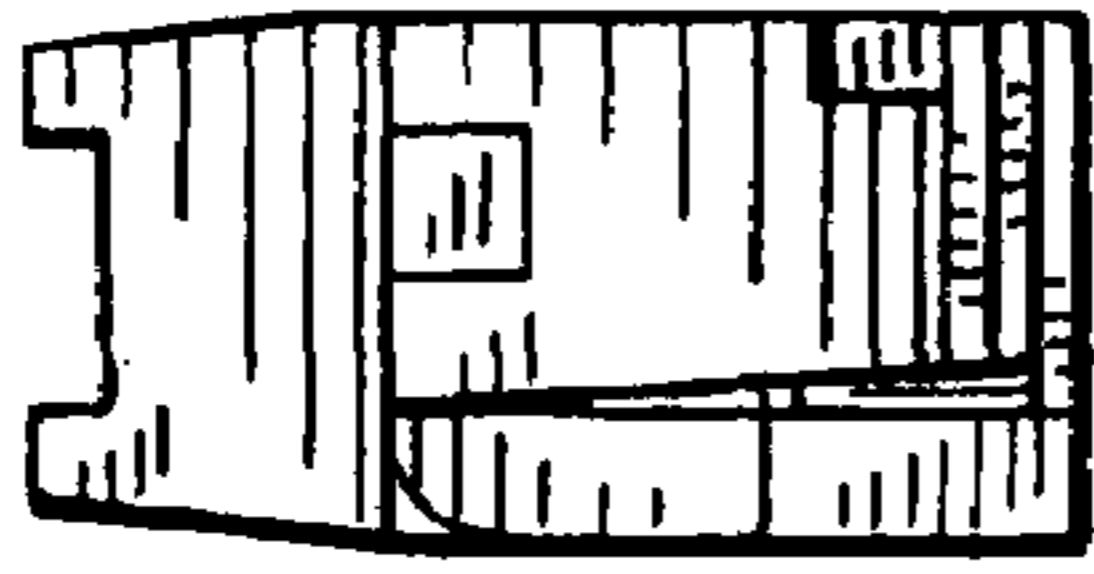


FIG. 4

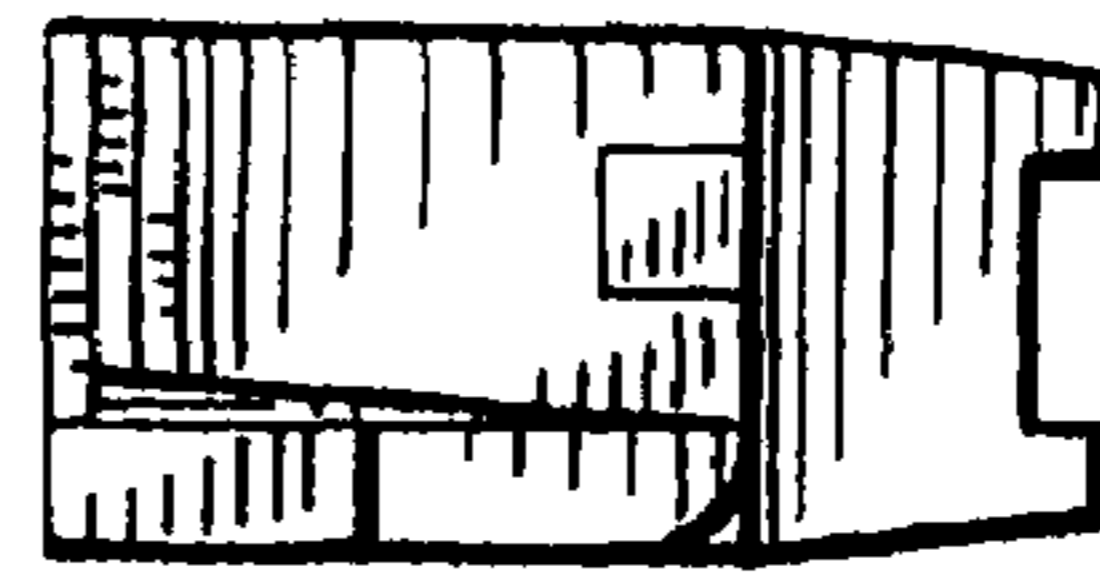


FIG. 5

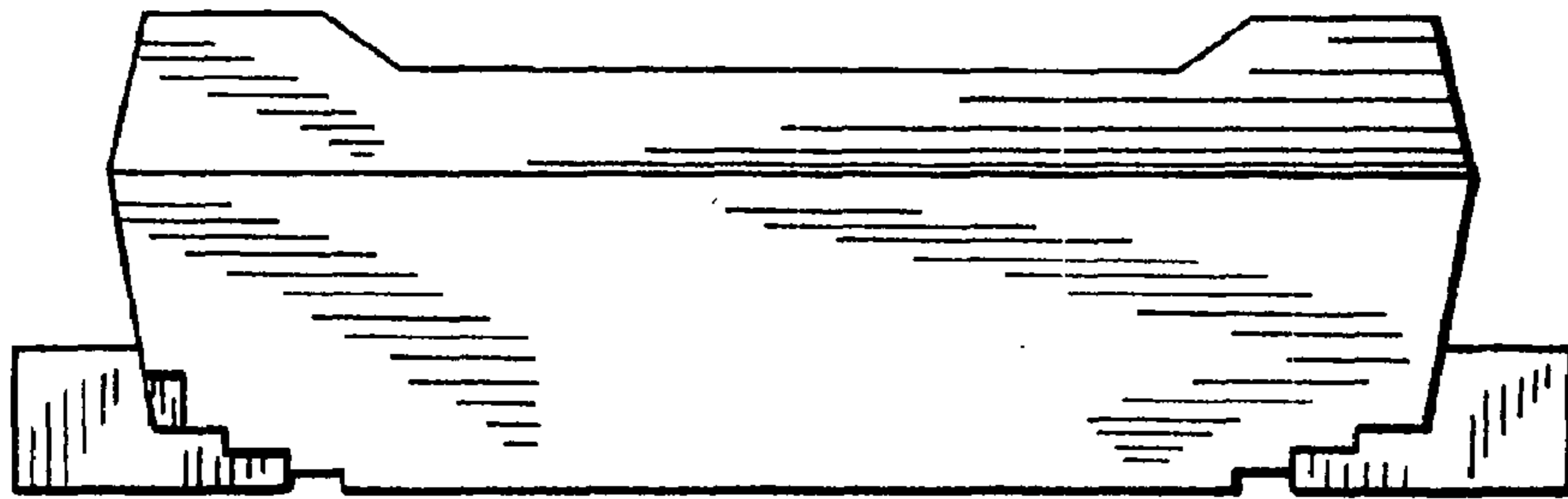


FIG. 6

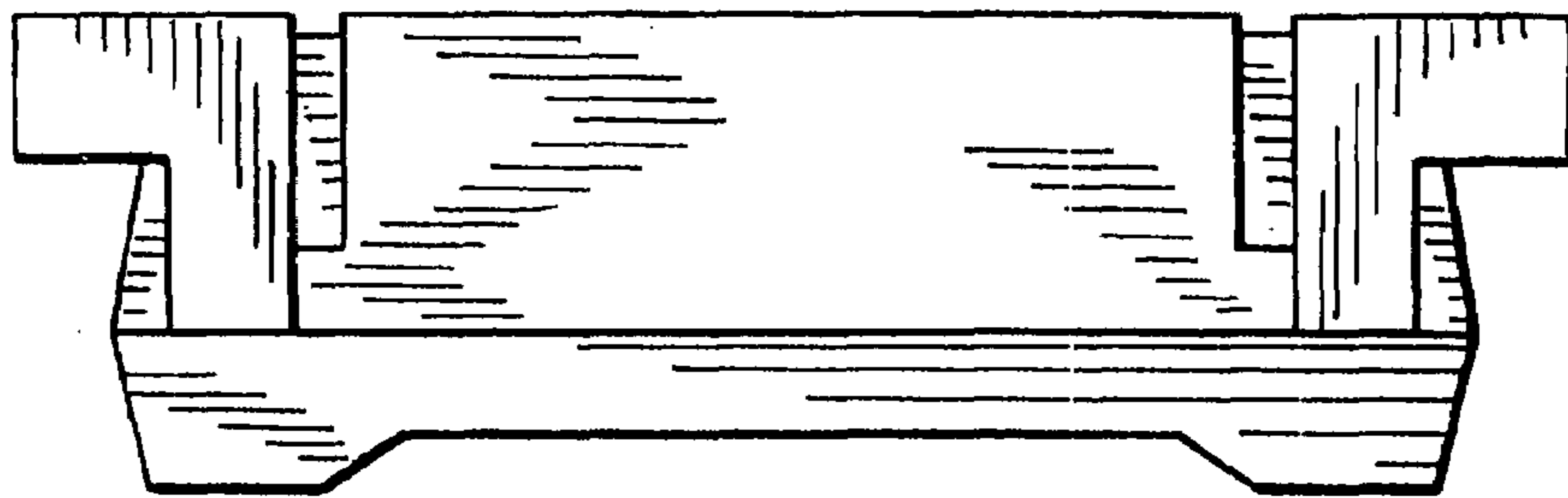


FIG. 7