



US00D552045S

(12) **United States Design Patent**
Pratt

(10) **Patent No.:** **US D552,045 S**

(45) **Date of Patent:** **** Oct. 2, 2007**

(54) **PANEL**

(75) **Inventor:** **Ross Gregory Pratt, Auckland (NZ)**

(73) **Assignee:** **BEP Marine Limited (NZ)**

(**) **Term:** **14 Years**

(21) **Appl. No.:** **29/251,282**

(22) **Filed:** **Jan. 6, 2006**

(30) **Foreign Application Priority Data**

Dec. 6, 2005 (NZ) 406875

(51) **LOC (8) Cl.** **13-03**

(52) **U.S. Cl.** **D13/177**

(58) **Field of Classification Search** D13/158-184;
D10/49; D14/441, 496; D18/41; D26/26;
D3/218

See application file for complete search history.

(56) **References Cited**

U.S. PATENT DOCUMENTS

D94,808 S *	3/1935	Addams	D13/177
D153,305 S *	4/1949	Patten	D13/177
D258,953 S *	4/1981	Mac	D13/177
D262,261 S *	12/1981	Schumacher et al.	D13/164
D320,410 S *	10/1991	Gotham	D18/41
D367,430 S *	2/1996	Greenberg et al.	D10/49
D371,123 S *	6/1996	Amundsen	D14/441
D392,943 S *	3/1998	Bouteiller	D13/159
D398,587 S *	9/1998	Pratt	D13/164
D400,187 S *	10/1998	Bryant	D13/177
D429,829 S *	8/2000	Doran	D26/26
D432,094 S *	10/2000	Mowery	D13/177
D432,999 S *	10/2000	Wong et al.	D13/177

D450,664 S *	11/2001	Smith	D13/177
D462,669 S *	9/2002	Schnackenberg et al.	..	D13/177
D475,681 S *	6/2003	Ho	D13/118
D475,979 S *	6/2003	Valiga et al.	D13/162
D484,467 S *	12/2003	de Leon	D13/168
D488,134 S *	4/2004	Pratt	D13/164
D493,146 S *	7/2004	Brett et al.	D13/164
D497,618 S *	10/2004	Andre et al.	D14/496
D518,290 S *	4/2006	Andre et al.	D3/218
D520,465 S *	5/2006	Guercio	D13/177
D529,449 S *	10/2006	Pratt	D13/171
D529,871 S *	10/2006	Butler et al.	D13/164
D538,822 S *	3/2007	Andre et al.	D14/496

* cited by examiner

Primary Examiner—Stella Reid

Assistant Examiner—Thomas Johannes

(74) *Attorney, Agent, or Firm*—Quarles & Brady LLP

(57) **CLAIM**

The ornamental design for a panel, as shown and described.

DESCRIPTION

FIG. 1 is a top, front and side perspective view of a panel showing my new design;

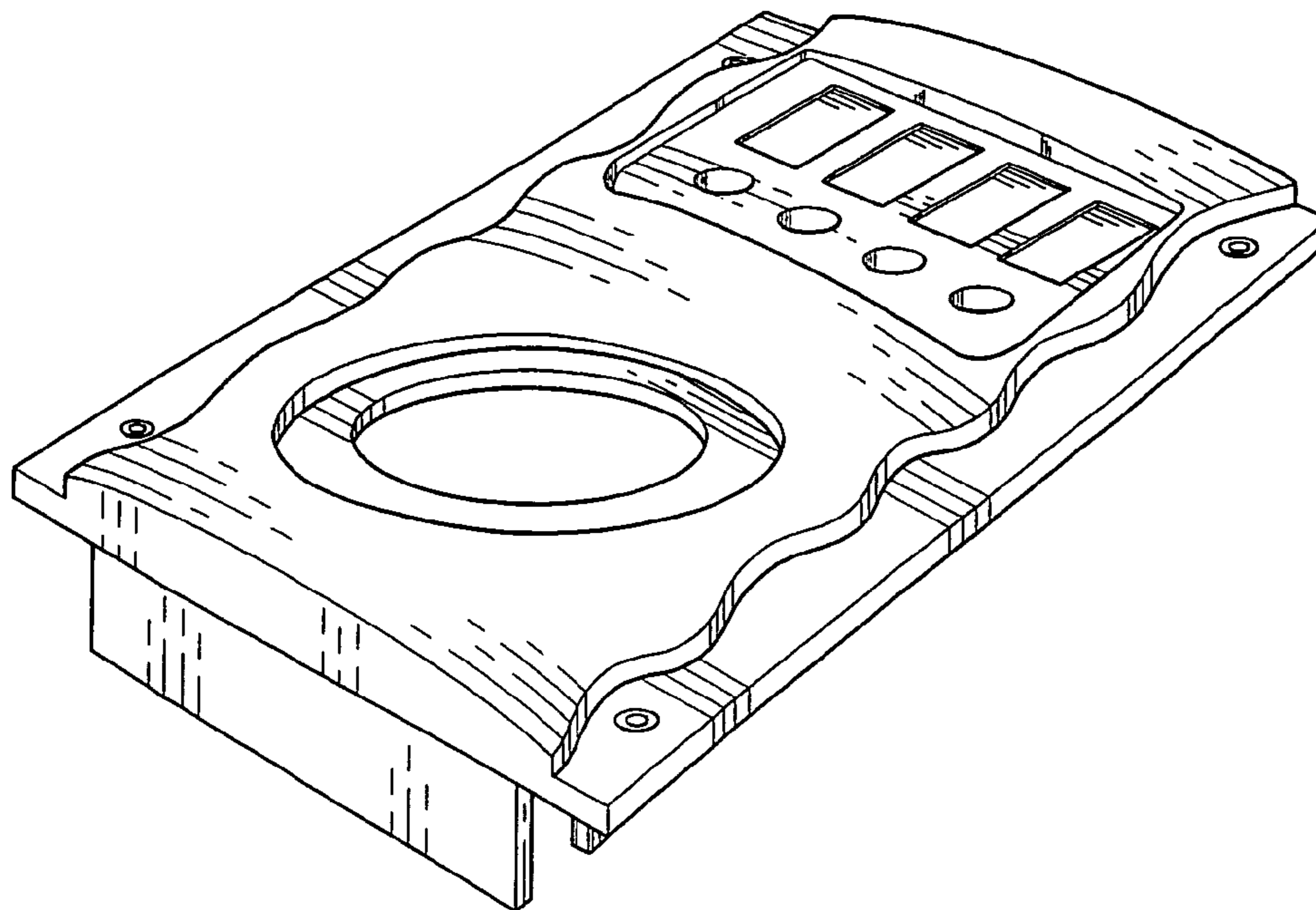
FIG. 2 is a top plan view thereof;

FIG. 3 is a side elevational view thereof from the right of FIG. 2, a side elevational view thereof from the left of FIG. 2 being identical thereto;

FIG. 4 is a front elevational view thereof, the rear elevational view being identical thereto; and,

FIG. 5 is a bottom plan view thereof.

1 Claim, 2 Drawing Sheets



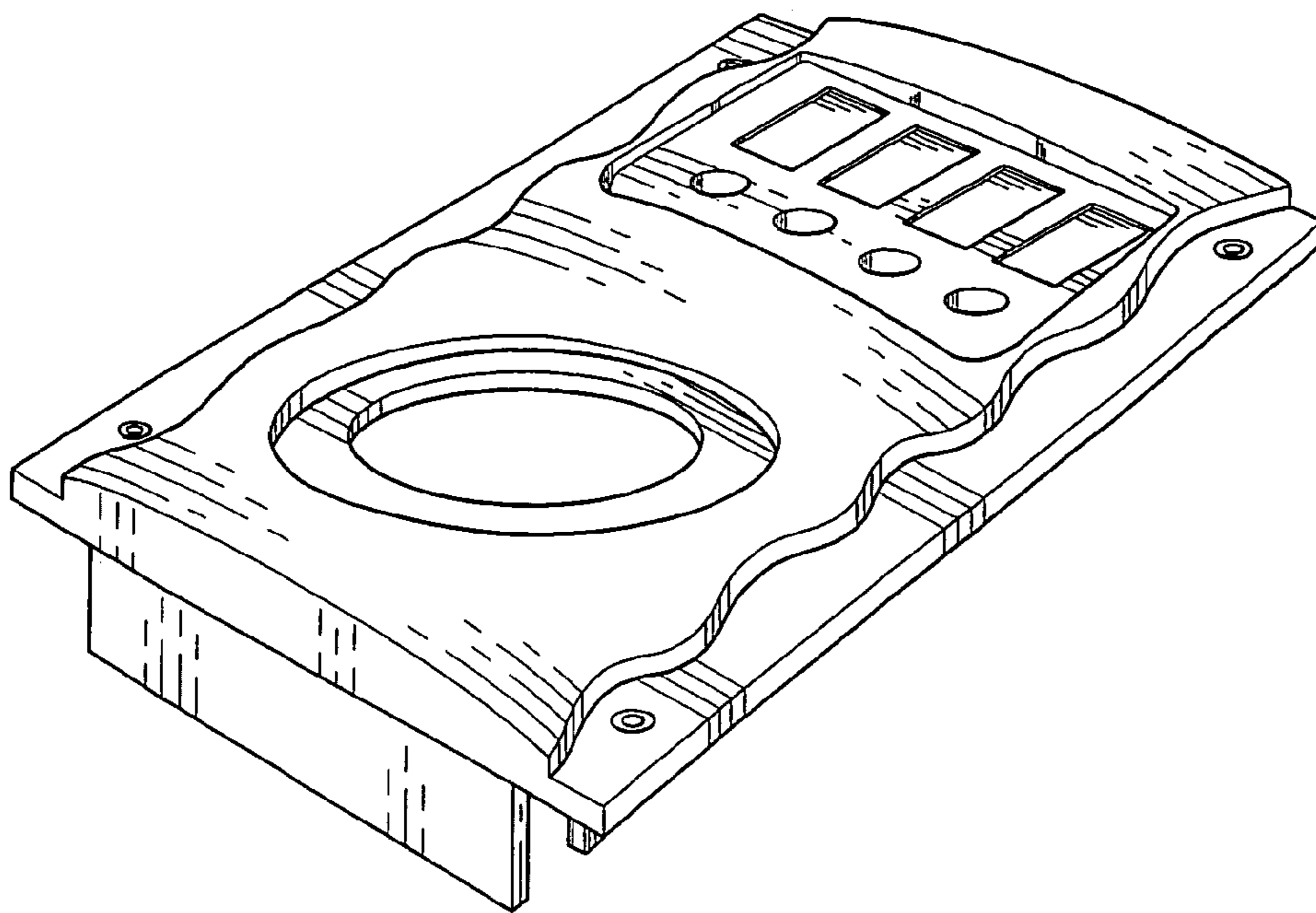


Figure 1

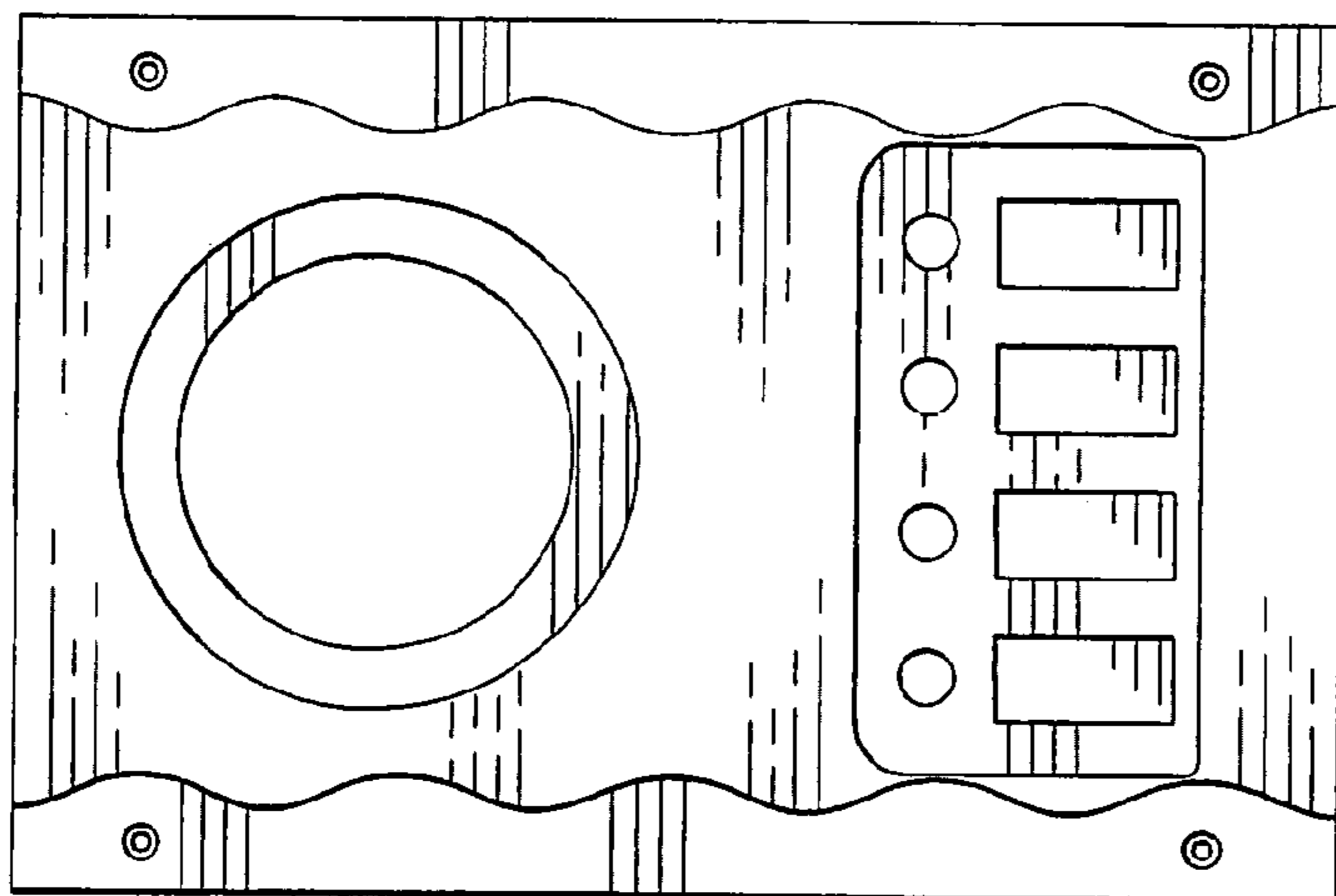


Figure 2



Figure 3

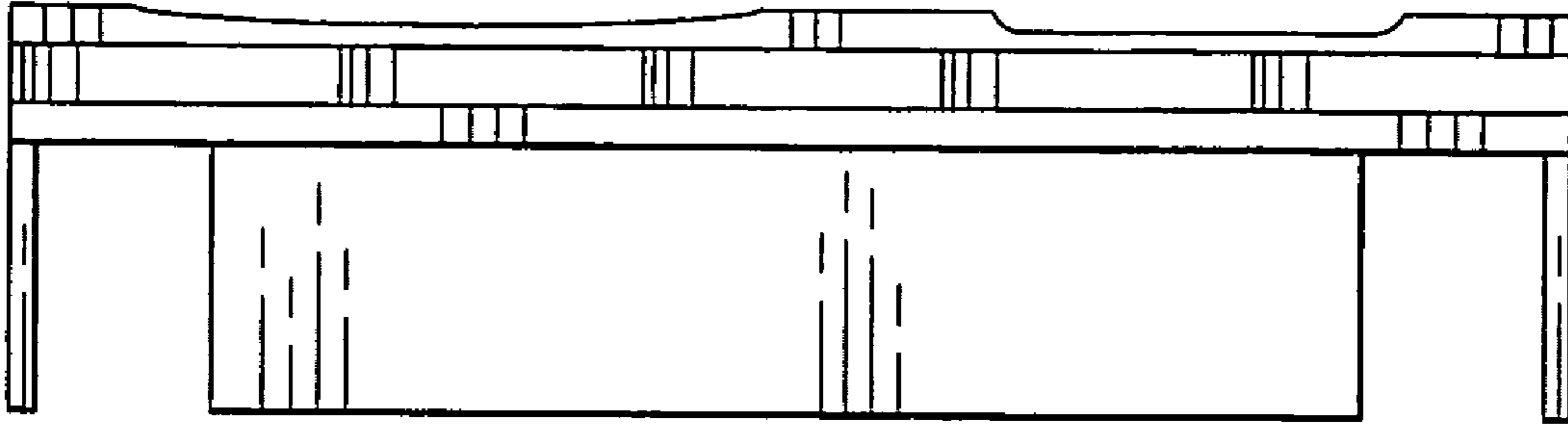


Figure 4

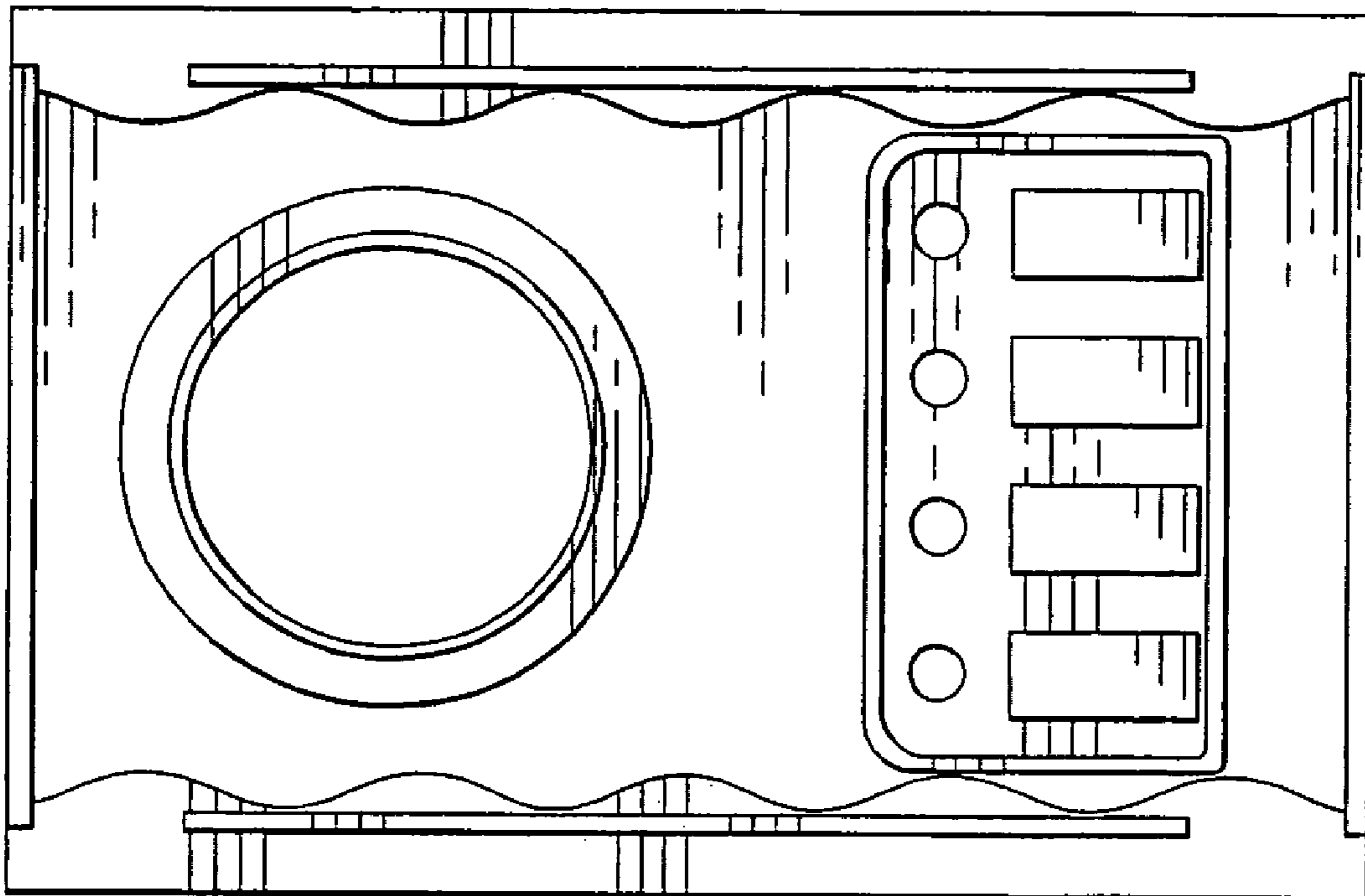


Figure 5