



US00D552041S

(12) **United States Design Patent**  
**Brickley et al.**

(10) **Patent No.:** **US D552,041 S**

(45) **Date of Patent:** **\*\* Oct. 2, 2007**

(54) **BRAKE CONTROL**

(75) Inventors: **Fred Brickley**, Battle Creek, MI (US);  
**Steve Haeske**, Allendale, MI (US);  
**Mitchell Auerbach**, Grand Haven, MI  
(US); **Maurice R. Fredricks**, Grand  
Haven, MI (US)

(73) Assignee: **Cequent Electric Products, Inc.**,  
Tekonsha, MI (US)

(\*\*) Term: **14 Years**

(21) Appl. No.: **29/266,986**

(22) Filed: **Oct. 2, 2006**

(51) **LOC (8) Cl.** ..... **13-03**

(52) **U.S. Cl.** ..... **D13/162**

(58) **Field of Classification Search** ..... D12/179-180,  
D12/162; D13/162, 167, 126; 180/270;  
303/123, 20, 7, 24.1; 188/1.11 E, 3 R, 206 R,  
188/73.31-73.39, 73.43, 73.45

See application file for complete search history.

(56) **References Cited**

**U.S. PATENT DOCUMENTS**

D434,391 S \* 11/2000 Roth et al. .... D13/162  
D435,494 S \* 12/2000 Reichard ..... D12/162  
D436,932 S \* 1/2001 Roth et al. .... D13/162

D468,273 S \* 1/2003 Reichard ..... D13/162  
D468,704 S \* 1/2003 Reichard ..... D13/162  
D494,547 S \* 8/2004 Smith et al. .... D13/162  
D515,483 S \* 2/2006 Culbert ..... D12/180  
D527,710 S \* 9/2006 Smith et al. .... D13/162

\* cited by examiner

*Primary Examiner*—Stacia Cadmus

(74) *Attorney, Agent, or Firm*—McDonald Hopkins LLC;  
Robert H. Earp, III

(57) **CLAIM**

The ornamental design for a brake control, as shown and  
described.

**DESCRIPTION**

FIG. 1 is a perspective view of an embodiment of a brake  
control showing our new design as seen from the top and  
sides thereof;

FIG. 2 is an elevational view showing the right side thereof;

FIG. 3 is an elevational view showing the left side thereof;

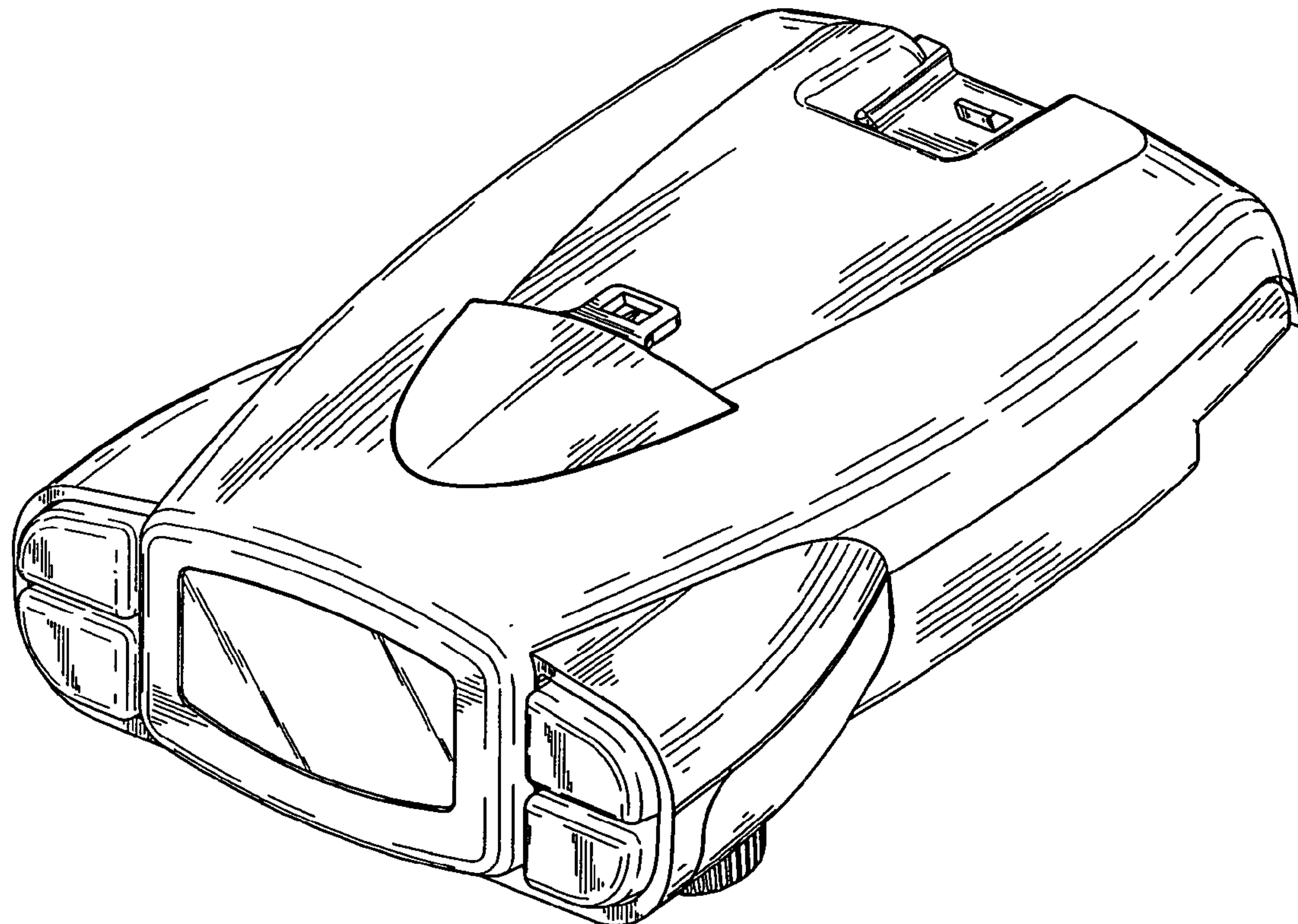
FIG. 4 is an elevational view showing the front side thereof;

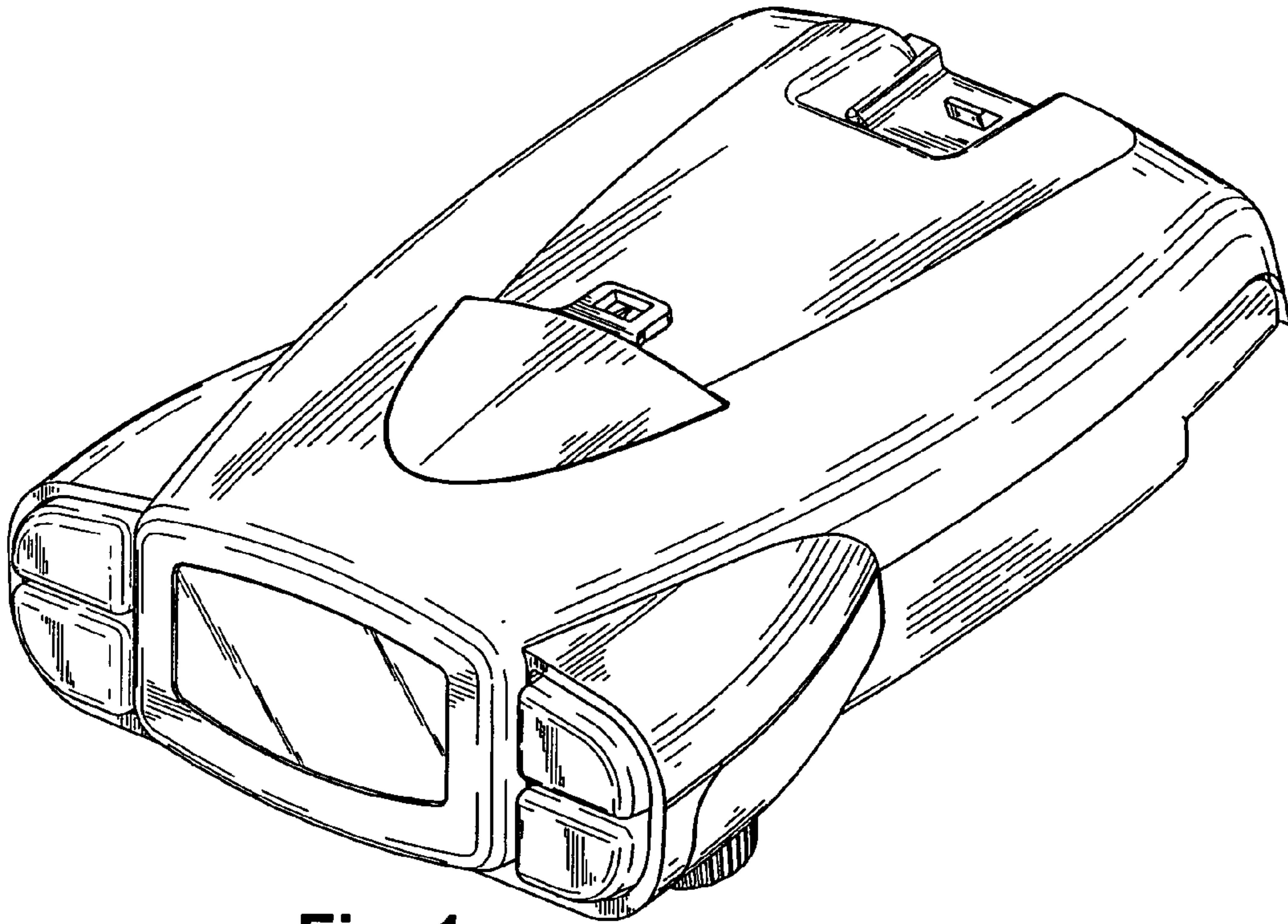
FIG. 5 is an elevational view showing the back side thereof;

FIG. 6 is a plan view showing the top thereof; and,

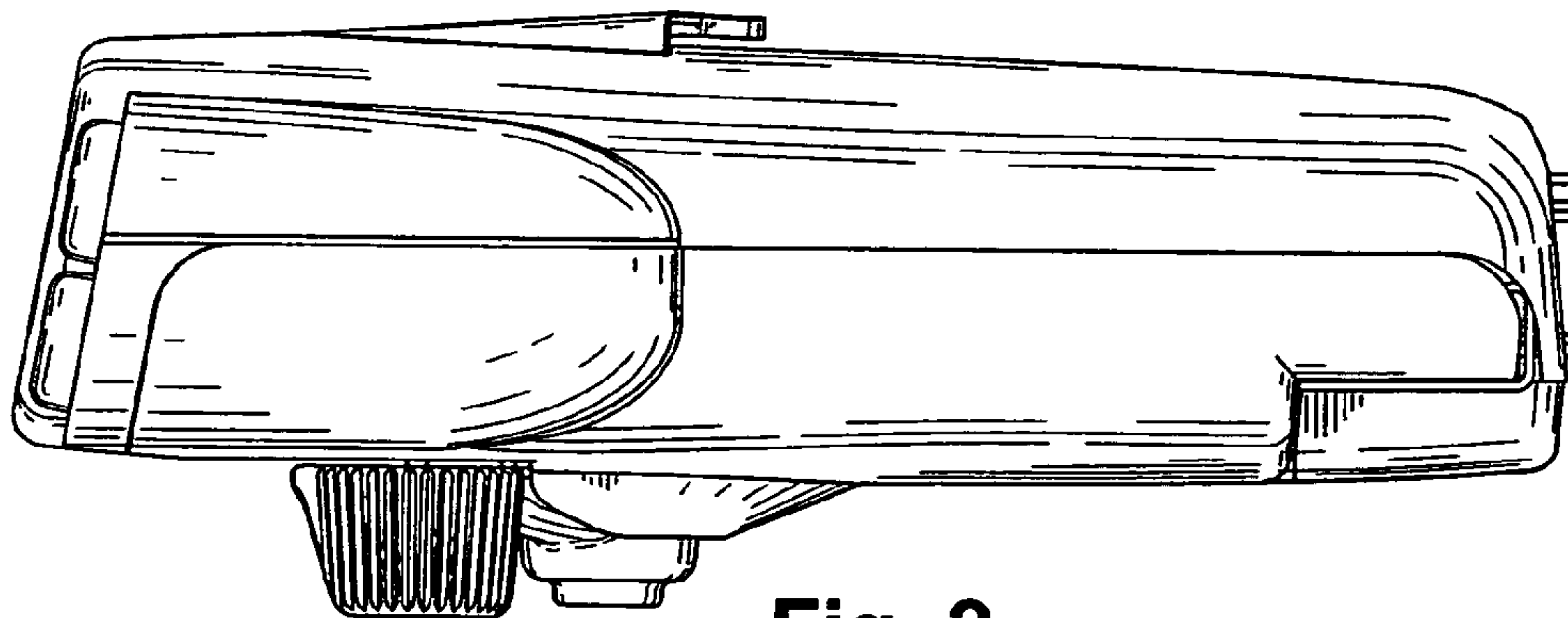
FIG. 7 is a plan view showing the bottom thereof.

**1 Claim, 4 Drawing Sheets**

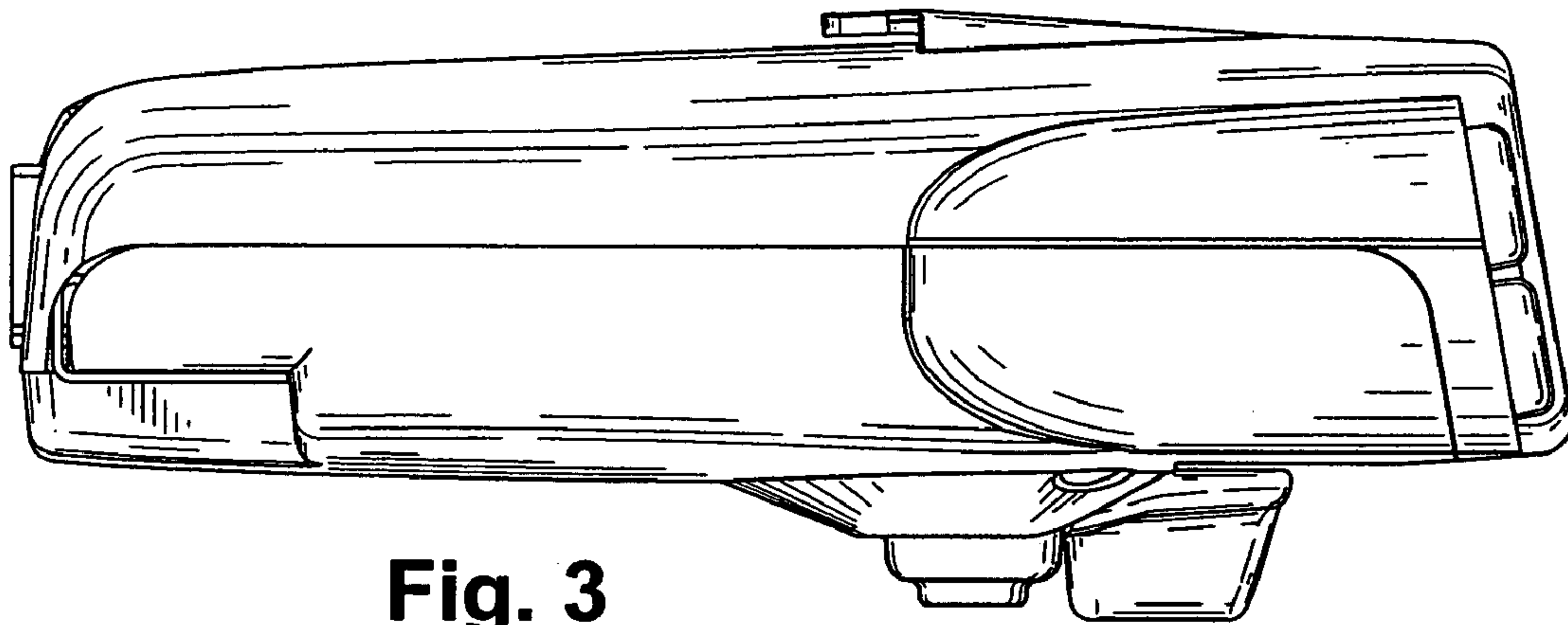




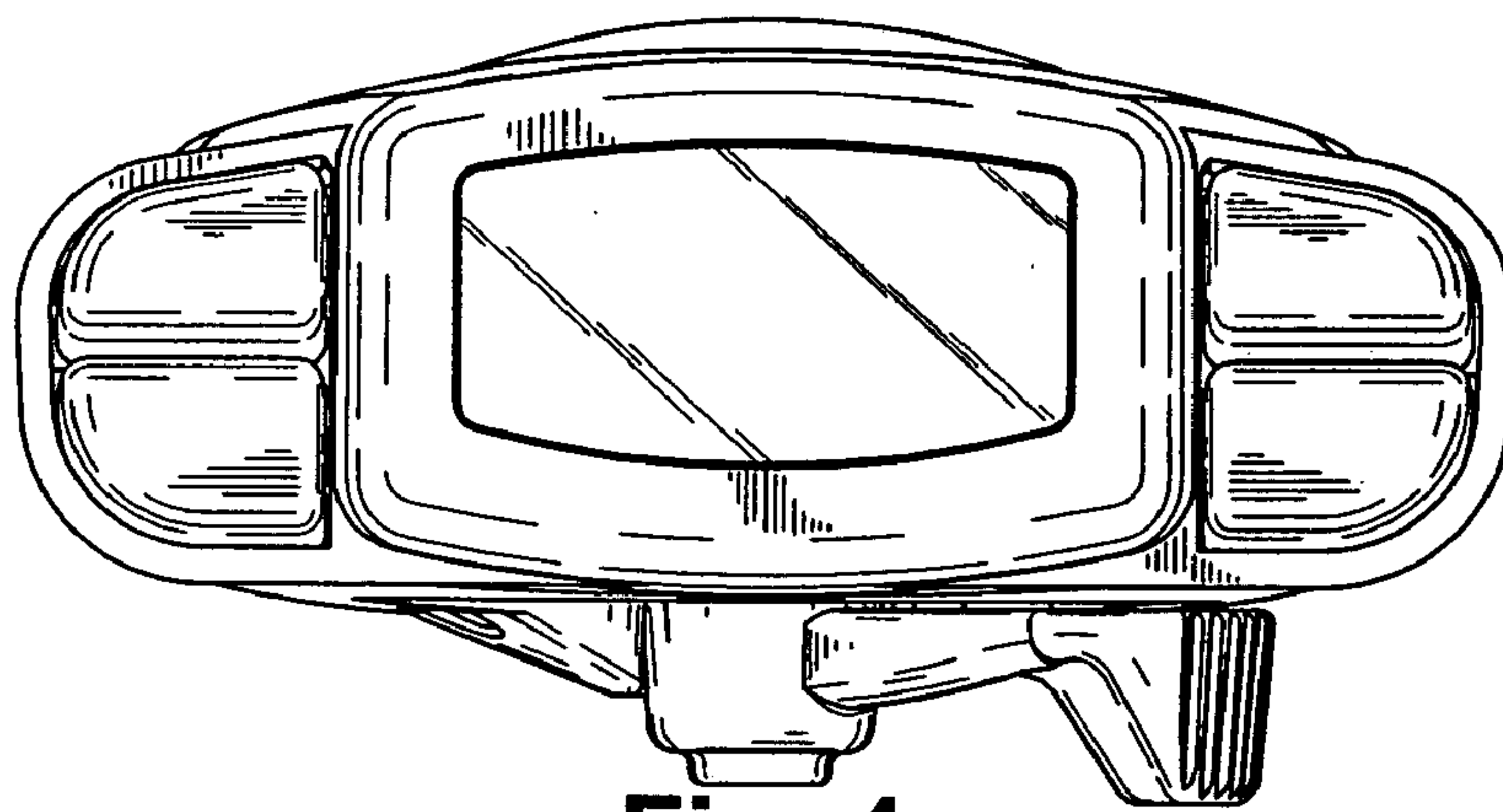
**Fig. 1**



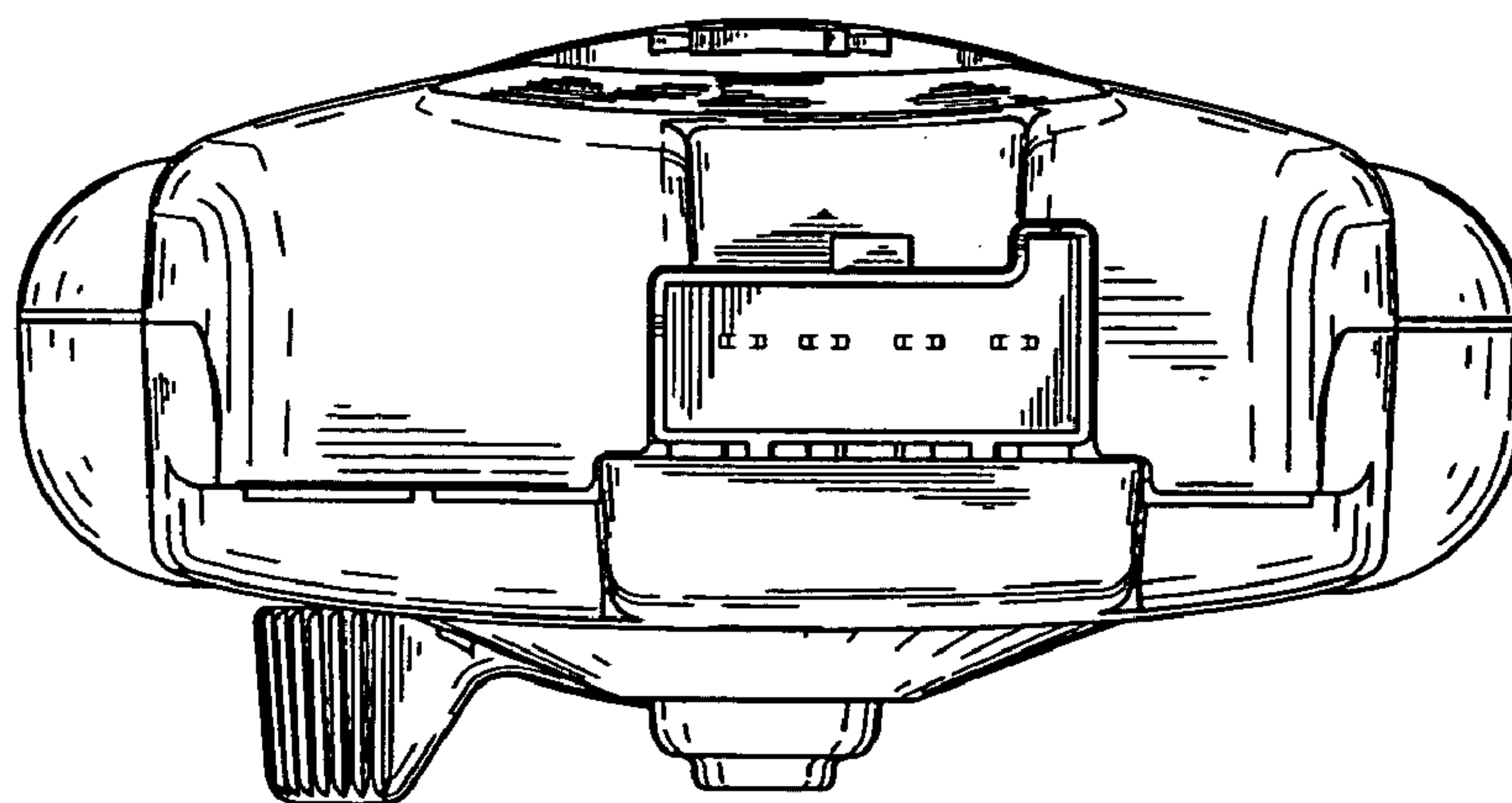
**Fig. 2**



**Fig. 3**

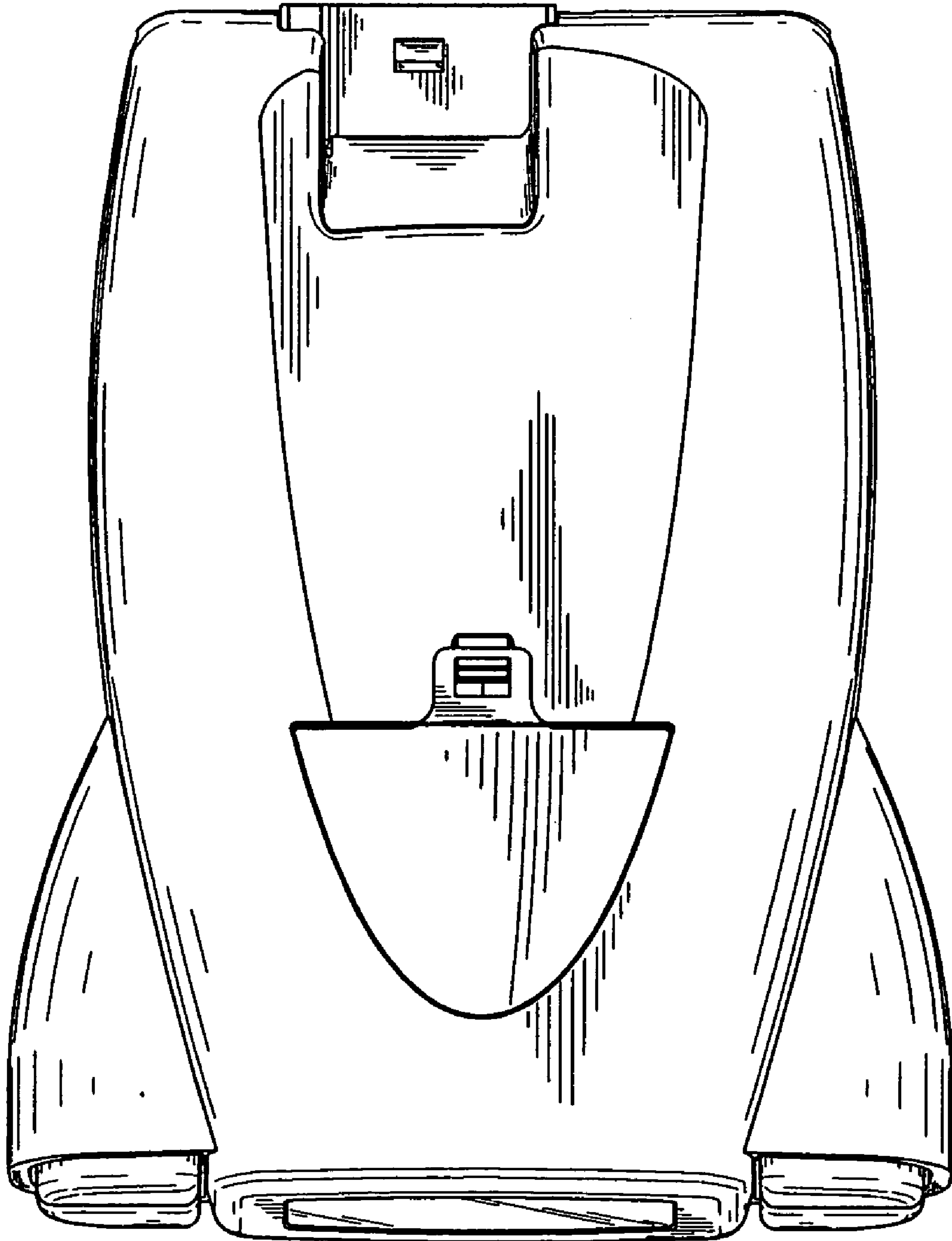


**Fig. 4**

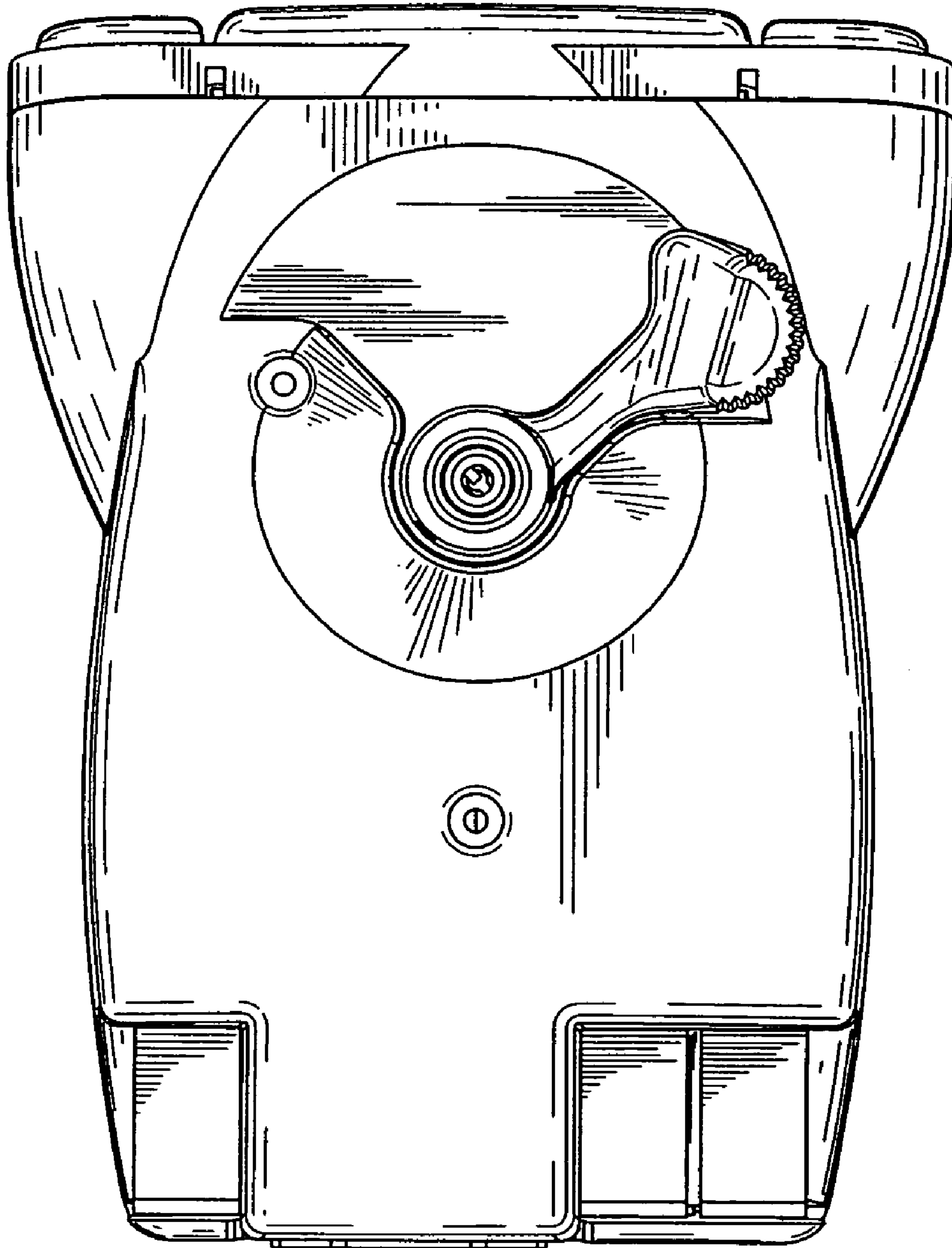


**Fig. 5**





**Fig. 6**



**Fig. 7**