



US00D552039S

(12) **United States Design Patent**
Liao

(10) **Patent No.:** **US D552,039 S**

(45) **Date of Patent:** **** Oct. 2, 2007**

(54) **CONTROL BOX**

(75) Inventor: **Li-Fen Liao**, Taichung (TW)

(73) Assignee: **Hiwin Mikrosystem Corp.**, Taichung (TW)

(**) Term: **14 Years**

(21) Appl. No.: **29/243,790**

(22) Filed: **Nov. 29, 2005**

(51) **LOC (8) Cl.** **14-03**

(52) **U.S. Cl.** **D13/162**

(58) **Field of Classification Search** D13/152,
D13/158-168, 177, 184; D14/137-139,
D14/151, 167, 168, 172, 174, 191-193, 214,
D14/217, 218, 240; 361/600, 622, 678, 681;
345/173; 338/153; 174/66; 200/5 A

See application file for complete search history.

(56) **References Cited**

U.S. PATENT DOCUMENTS

D307,415 S *	4/1990	Holmer et al.	D13/164
D324,518 S *	3/1992	Ichimura	D14/137
D325,907 S *	5/1992	Dickson	D14/137
5,146,615 A *	9/1992	Hodsdon et al.	455/90.3
D340,927 S *	11/1993	Goatman	D14/137
D367,679 S *	3/1996	Vitali et al.	D20/42
D368,073 S *	3/1996	Zulian	D13/168
D375,296 S *	11/1996	Kondo	D14/422
D375,792 S *	11/1996	Hillman et al.	D24/186
D390,554 S *	2/1998	Larson et al.	D14/137
D407,006 S *	3/1999	Sacco et al.	D8/347
D407,007 S *	3/1999	Sacco et al.	D8/347
D415,114 S *	10/1999	Kawashima	D13/168
D416,910 S *	11/1999	Vasquez	D14/218
D422,082 S *	3/2000	Kimball et al.	D24/151
D425,886 S *	5/2000	Larson et al.	D14/137
D429,246 S *	8/2000	Holma	D14/412
D430,125 S *	8/2000	Larson et al.	D14/137
D430,169 S *	8/2000	Scibora	D14/496

6,180,896 B1 *	1/2001	Naritomi	200/5 A
D465,206 S *	11/2002	Hasselmann et al.	D13/168
D467,578 S *	12/2002	Ichijima et al.	D14/218
D492,282 S *	6/2004	Lachello et al.	D14/218
D497,347 S *	10/2004	Iekura	D13/168
D499,714 S *	12/2004	Shomali	D14/168
D502,148 S *	2/2005	Iekura	D13/168
D502,474 S *	3/2005	Raarup	D15/143
D503,796 S *	4/2005	Lithgow et al.	D24/110
D522,992 S *	6/2006	Dayan	D14/155
D523,421 S *	6/2006	Figueroa	D14/218
D532,381 S *	11/2006	Velazquez	D13/168
D533,514 S *	12/2006	Hidalgo	D13/168
D533,845 S *	12/2006	Lay	D13/168
D533,863 S *	12/2006	Yamaji	D14/167

* cited by examiner

Primary Examiner—Selina Sikder

Assistant Examiner—Thomas Johannes

(74) *Attorney, Agent, or Firm*—Charles E. Baxley

(57) **CLAIM**

The ornamental design for a control box, as shown and described.

DESCRIPTION

FIG. 1 is a perspective view of a control box showing my new design;

FIG. 2 is a front elevational view thereof;

FIG. 3 is a rear elevational view thereof,

FIG. 4 is a left side elevational view thereof,

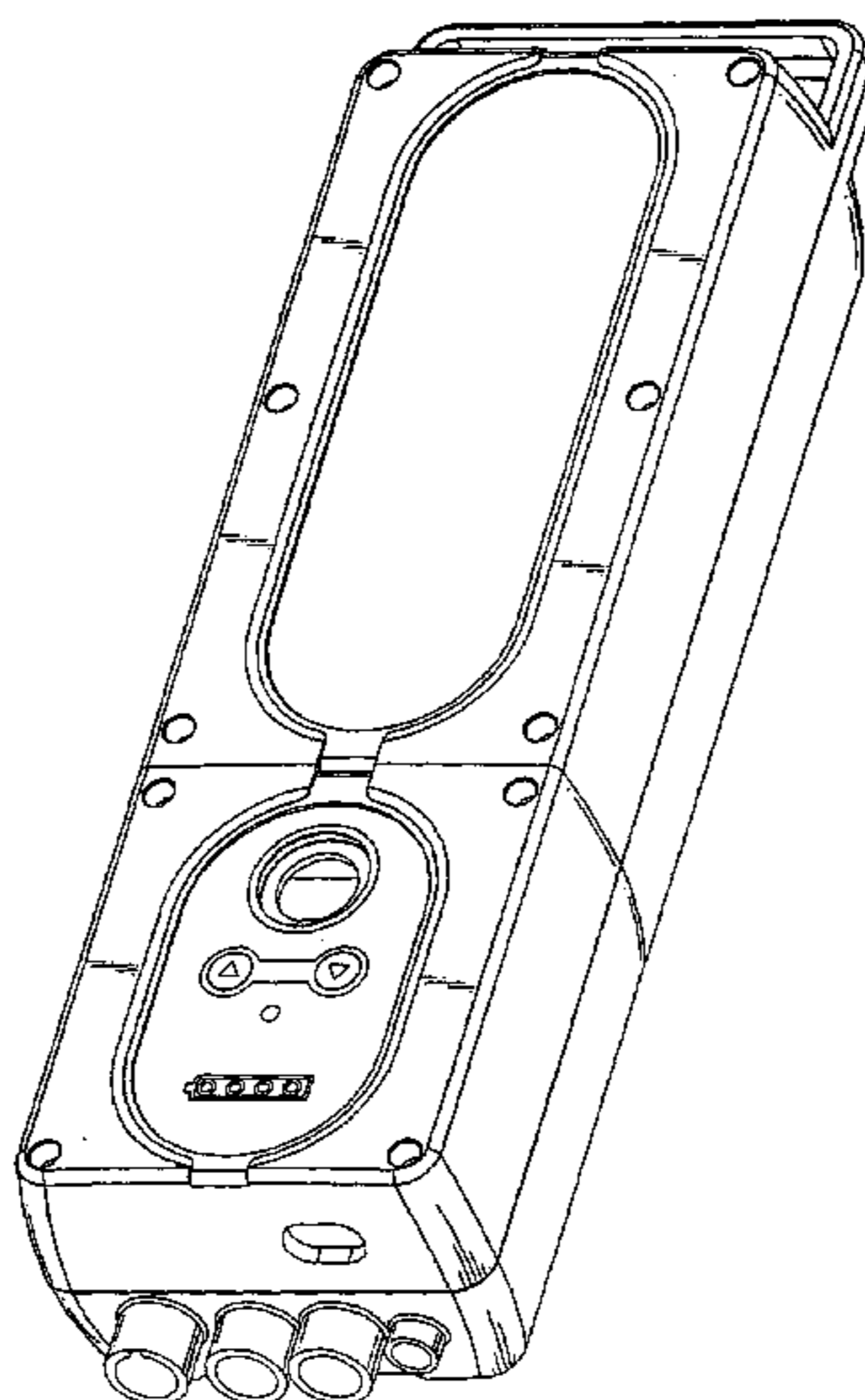
FIG. 5 is a right side elevational view thereof,

FIG. 6 is a top plan view thereof; and

FIG. 7 is a bottom plan view to that shown; and,

FIG. 8 is a perspective view of a control box, the broken lines shown are for illustrative purposes only and from no part of the claimed design.

1 Claim, 7 Drawing Sheets



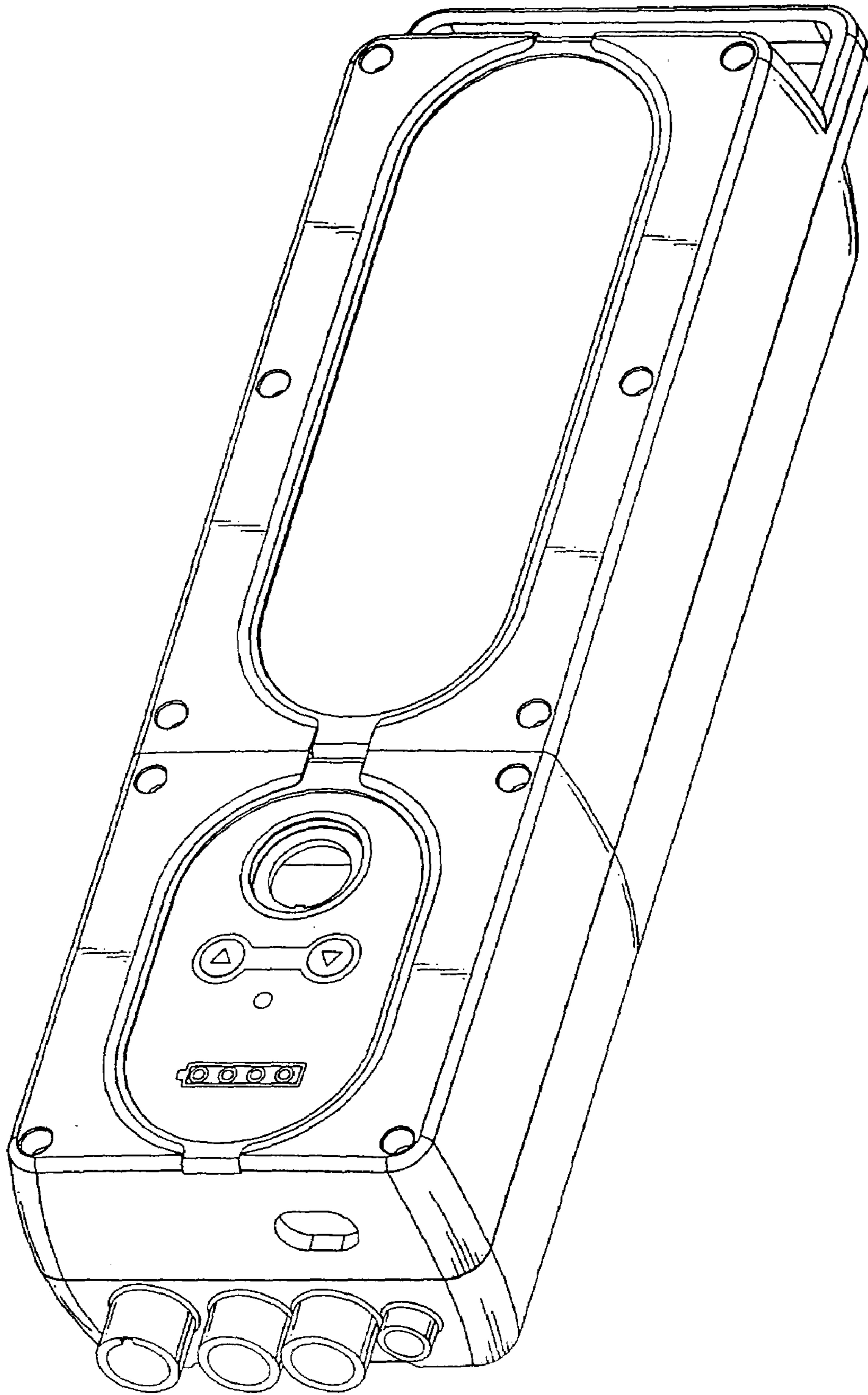


FIG. 1

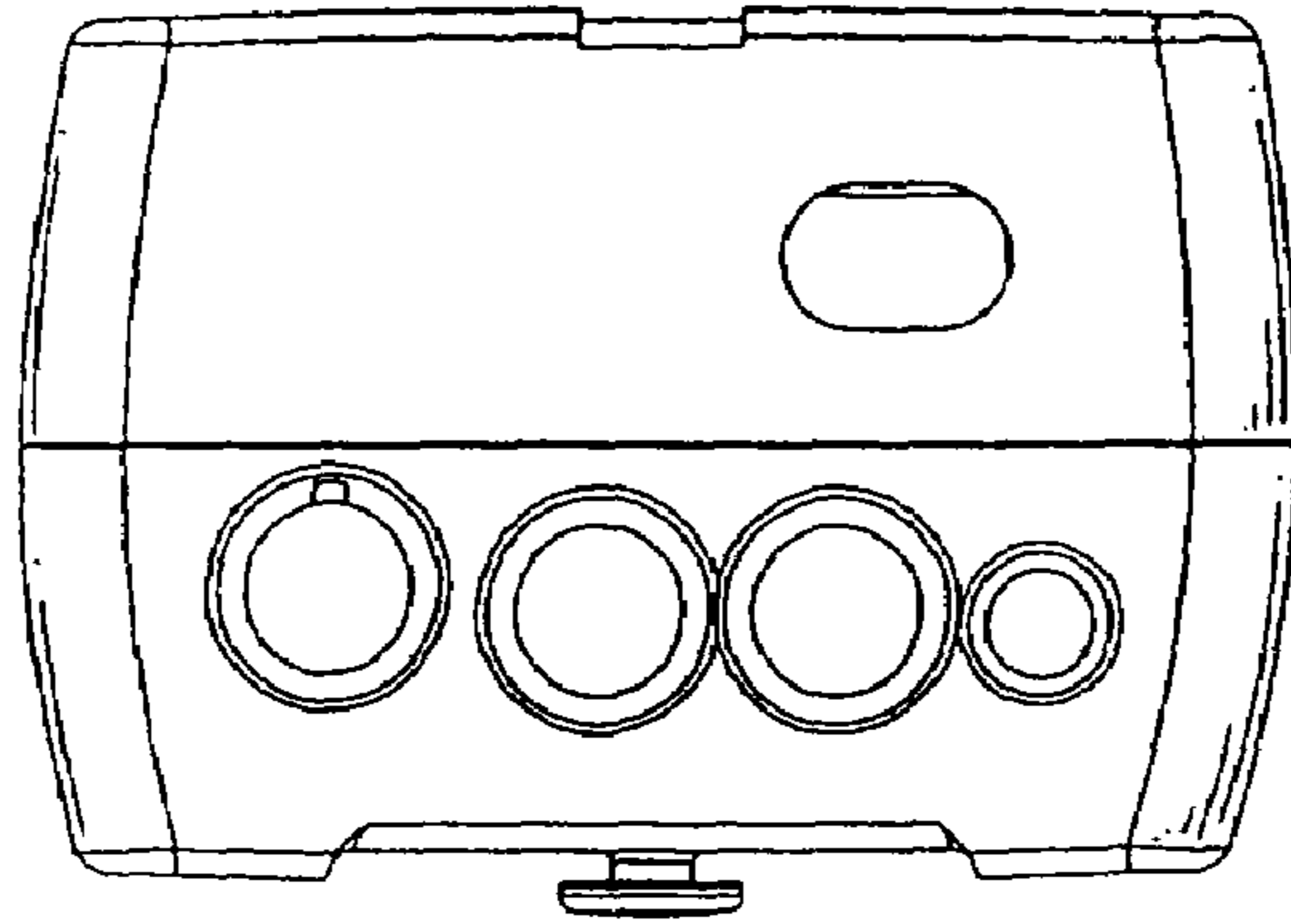


FIG. 2

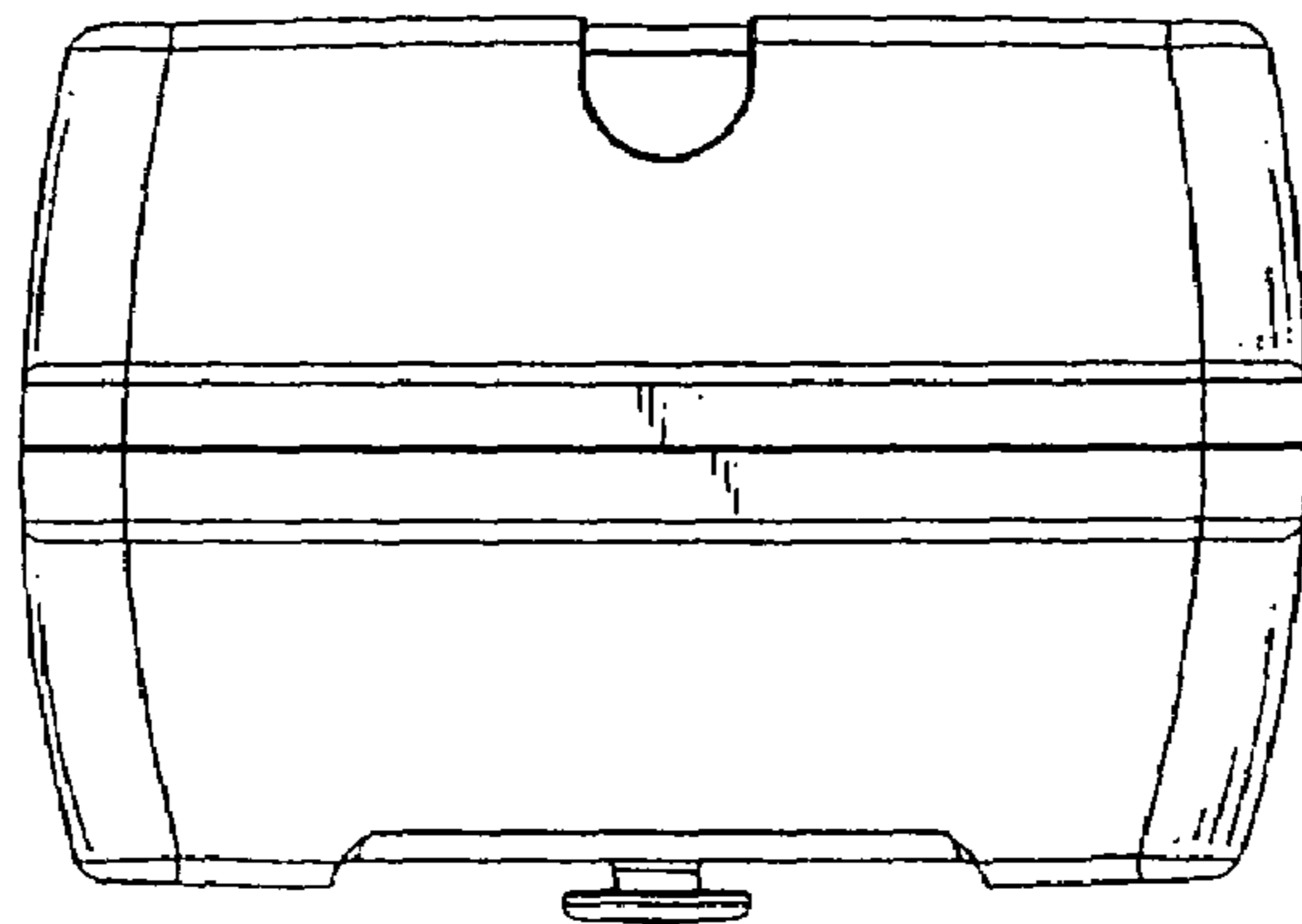


FIG. 3

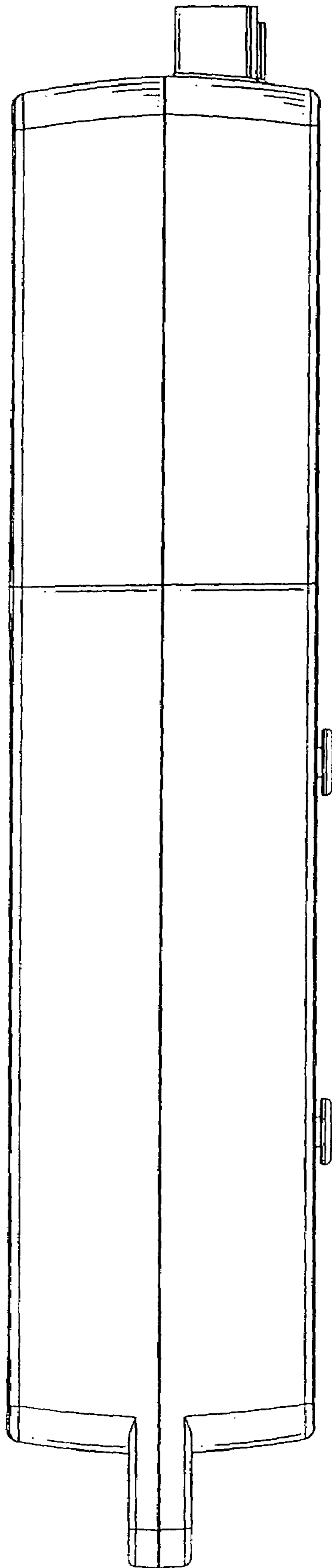


FIG. 4

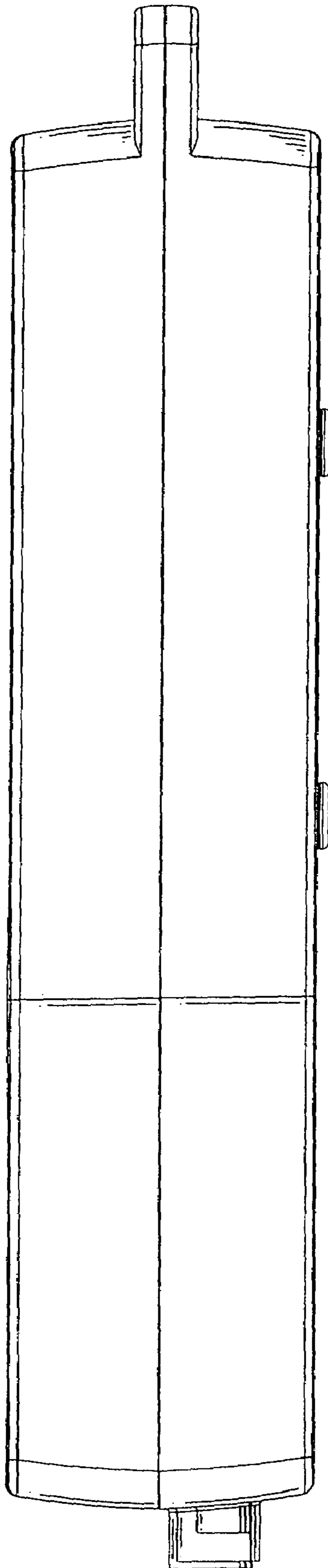


FIG. 5

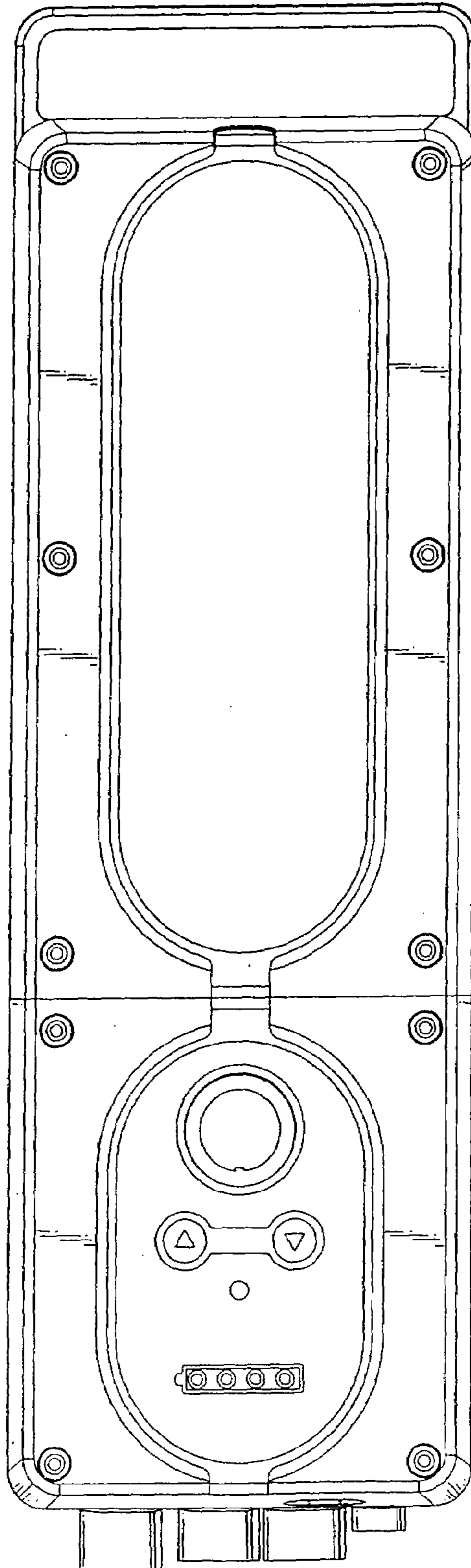


FIG. 6

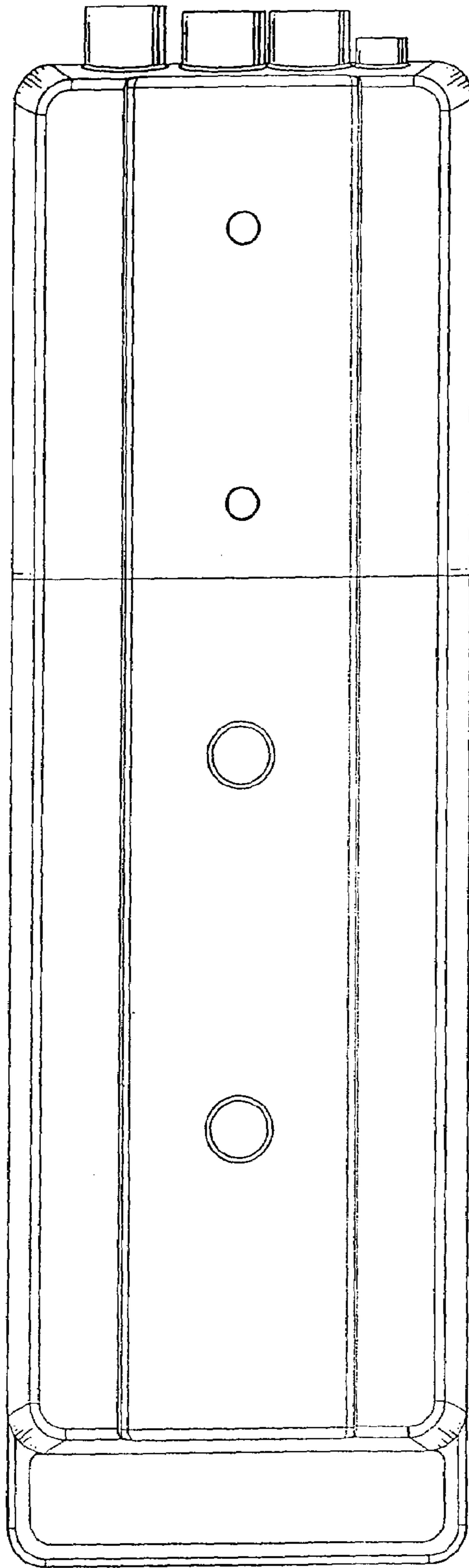


FIG. 7

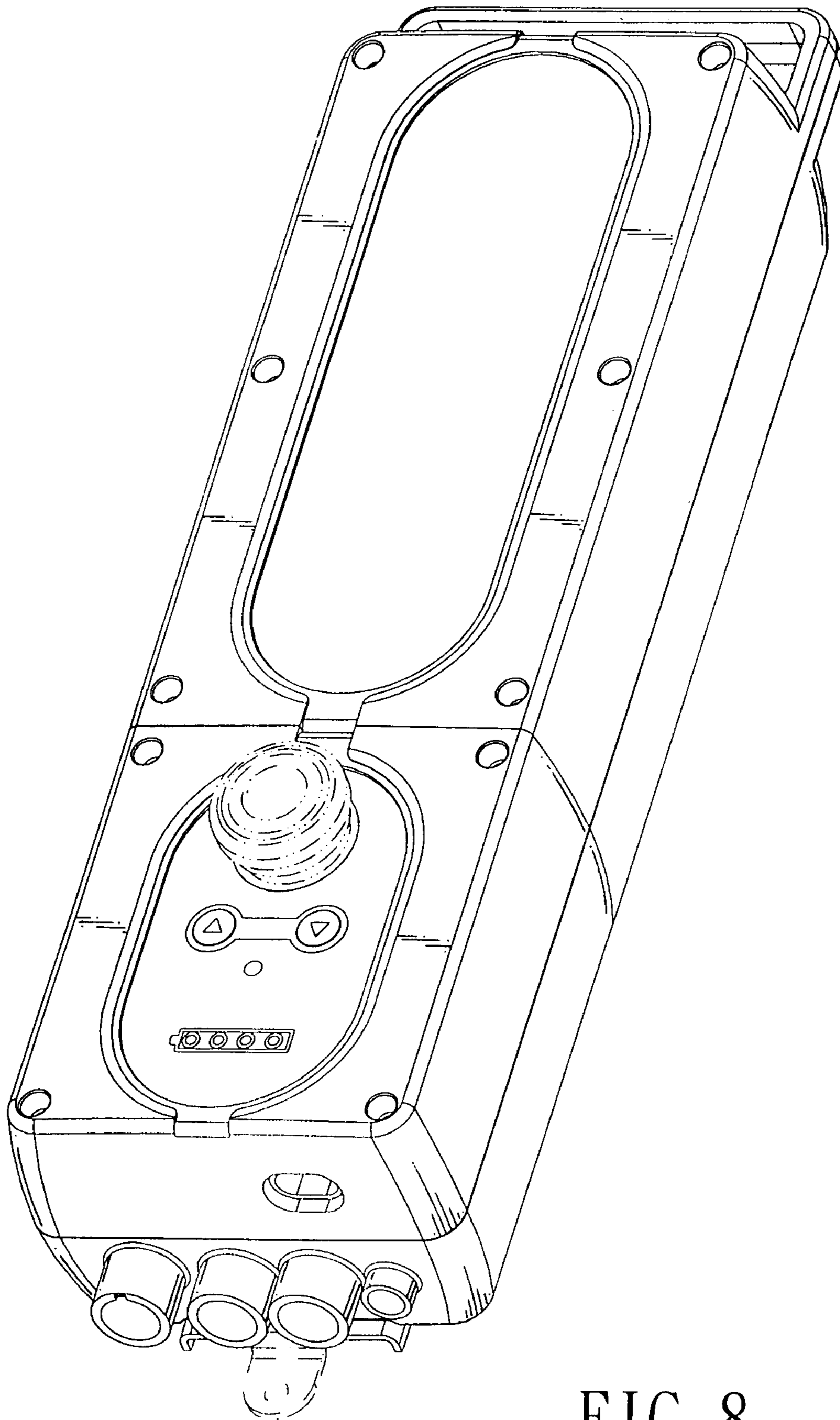


FIG. 8