



US00D552037S

(12) **United States Design Patent**  
**Imai**

(10) **Patent No.:** **US D552,037 S**

(45) **Date of Patent:** **\*\* Oct. 2, 2007**

(54) **ELECTRICAL CONNECTOR**

(75) Inventor: **Toru Imai, Yao (JP)**

(73) Assignee: **Hosiden Corporation, Osaka (JP)**

(\*\*) Term: **14 Years**

(21) Appl. No.: **29/267,468**

(22) Filed: **Oct. 16, 2006**

**Related U.S. Application Data**

(62) Division of application No. 29/259,061, filed on May 2, 2006, now Pat. No. Des. 537,792.

(30) **Foreign Application Priority Data**

Nov. 10, 2005 (JP) ..... 2005-33111  
Nov. 10, 2005 (JP) ..... 2005-33112

(51) **LOC (8) Cl.** ..... **13-03**

(52) **U.S. Cl.** ..... **D13/147**

(58) **Field of Classification Search** ..... D13/123,  
D13/133, 146-147, 154, 184, 199; 439/79,  
439/108, 278, 374, 377, 660, 540.1, 541.5,  
439/607-610, 883, 891, 894

See application file for complete search history.

*Primary Examiner*—Stella Reid

*Assistant Examiner*—Daniel Bui

(74) *Attorney, Agent, or Firm*—Koda & Androlia

(57) **CLAIM**

The ornamental design for an electrical connector, as shown and described.

**DESCRIPTION**

FIG. 1 is a top, front and right side perspective view of an electrical connector, showing my new design;

FIG. 2 is a bottom, rear and left side perspective view thereof;

FIG. 3 is a front elevation view thereof;

FIG. 4 is a rear elevation view thereof;

FIG. 5 is a left side elevation view thereof; the right side elevation view is a mirror image thereof;

FIG. 6 is a top plan view thereof; and,

FIG. 7 is a bottom plan view thereof.

In each of the above two embodiments, a right side view is a mirror image of the left side view.

**1 Claim, 4 Drawing Sheets**

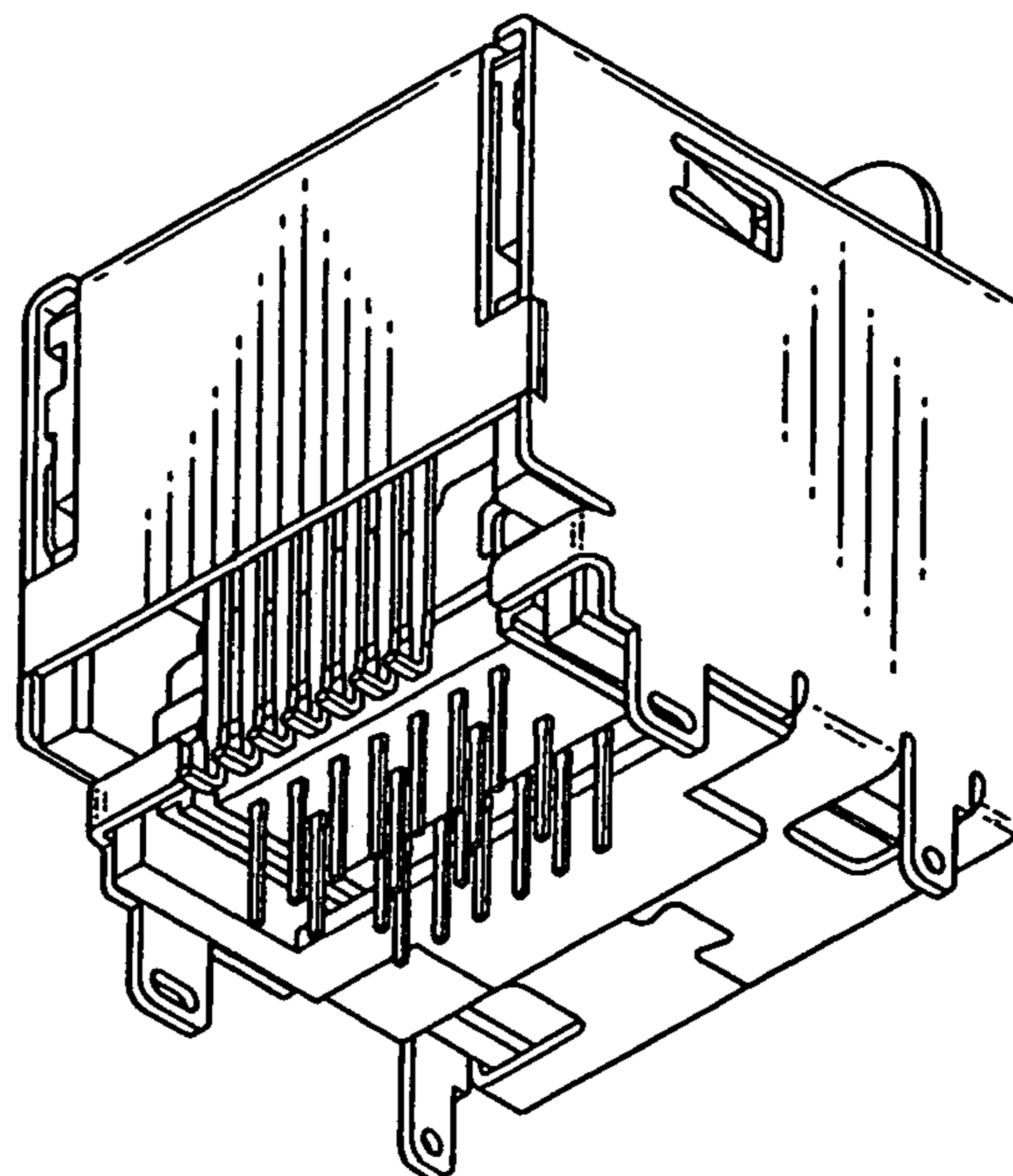
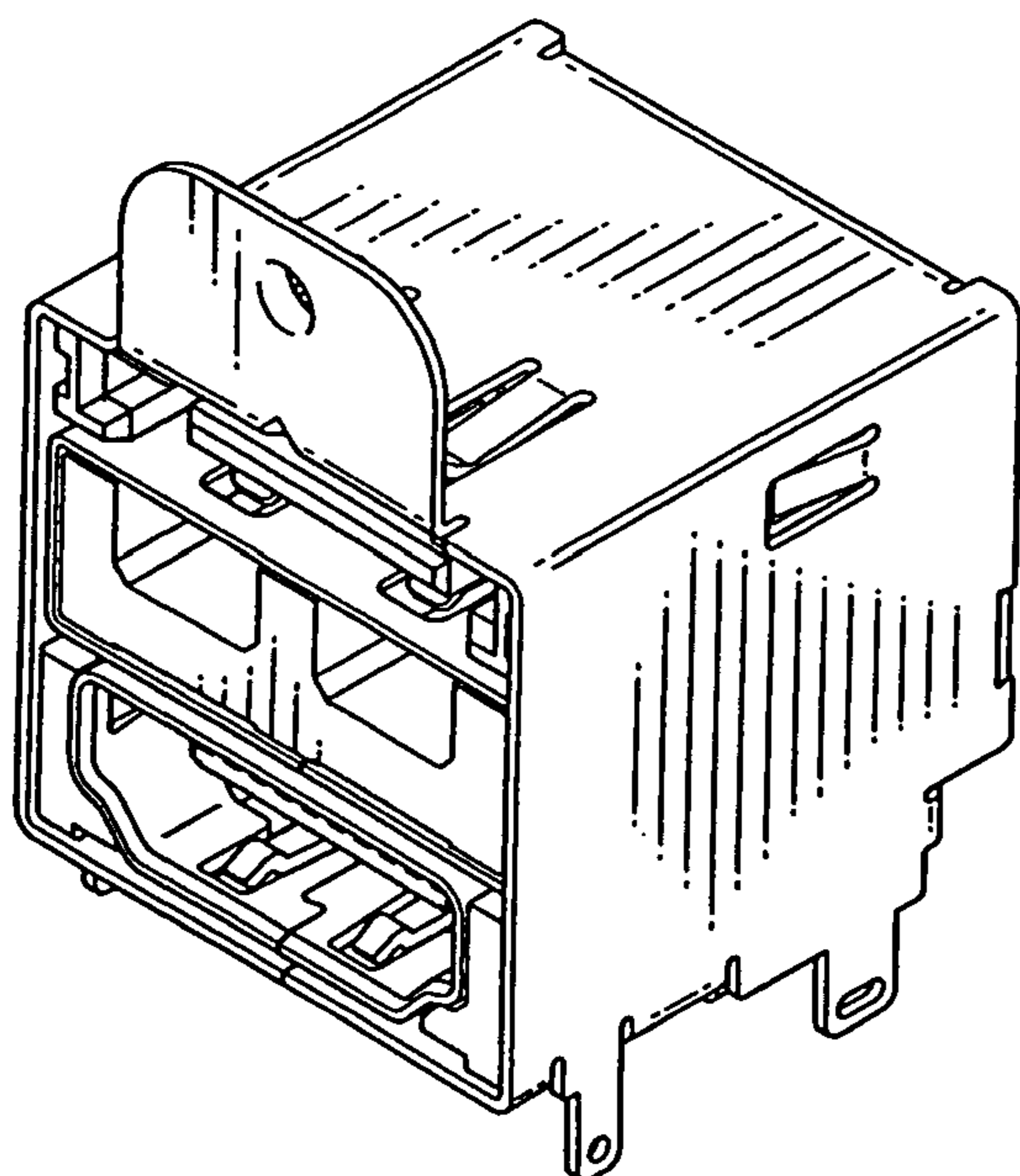


Fig. 1

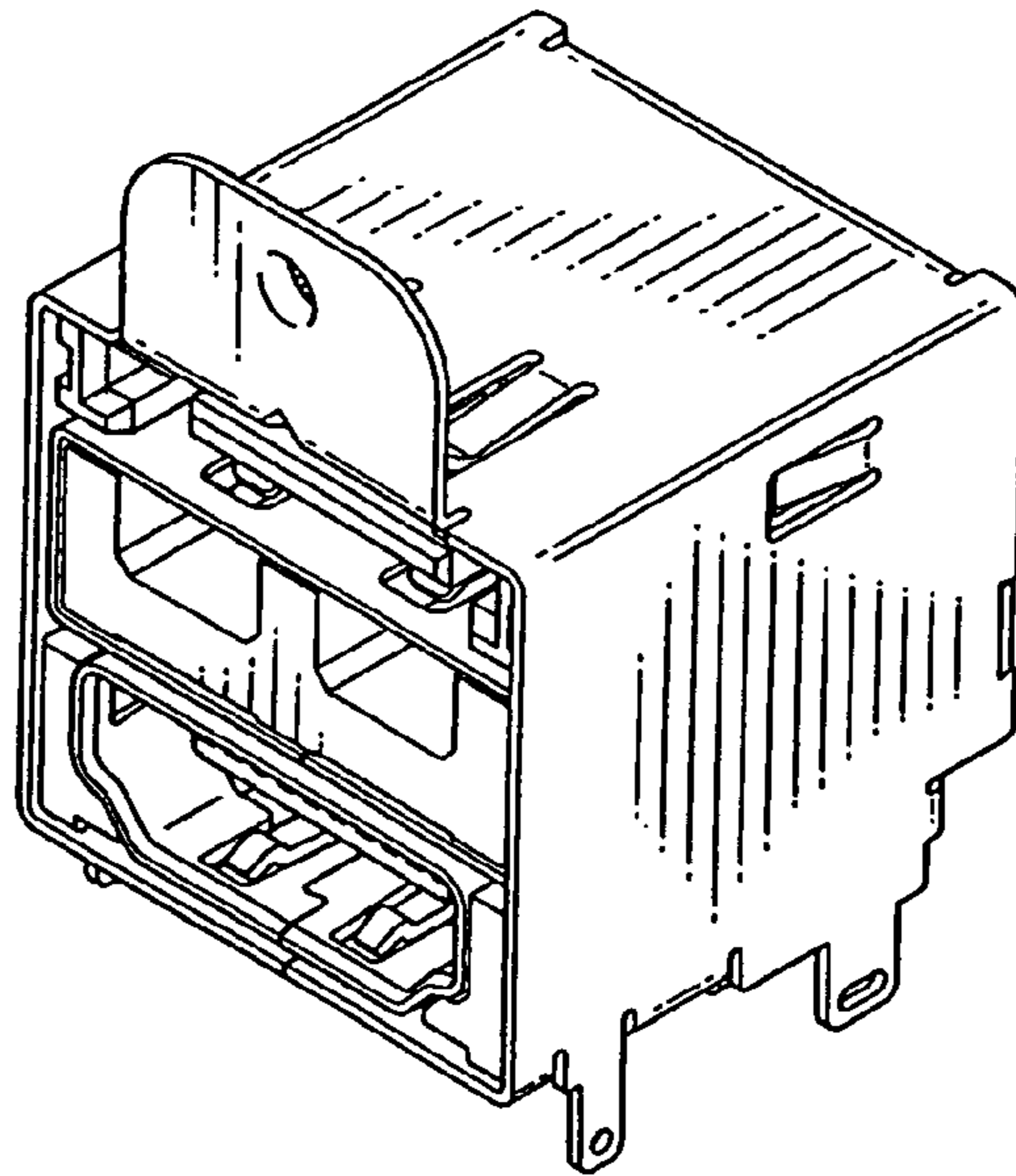


Fig. 2

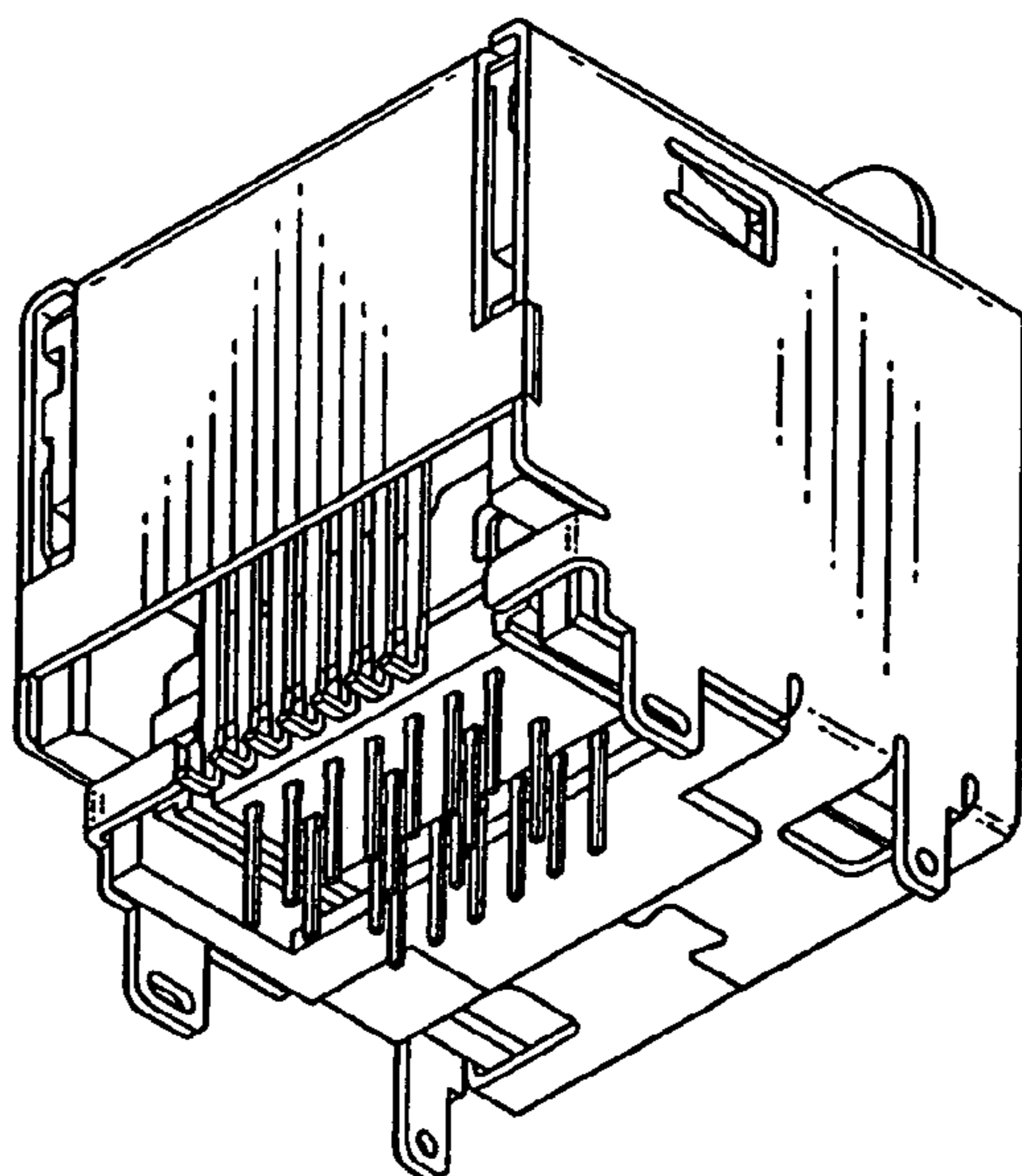


Fig. 3

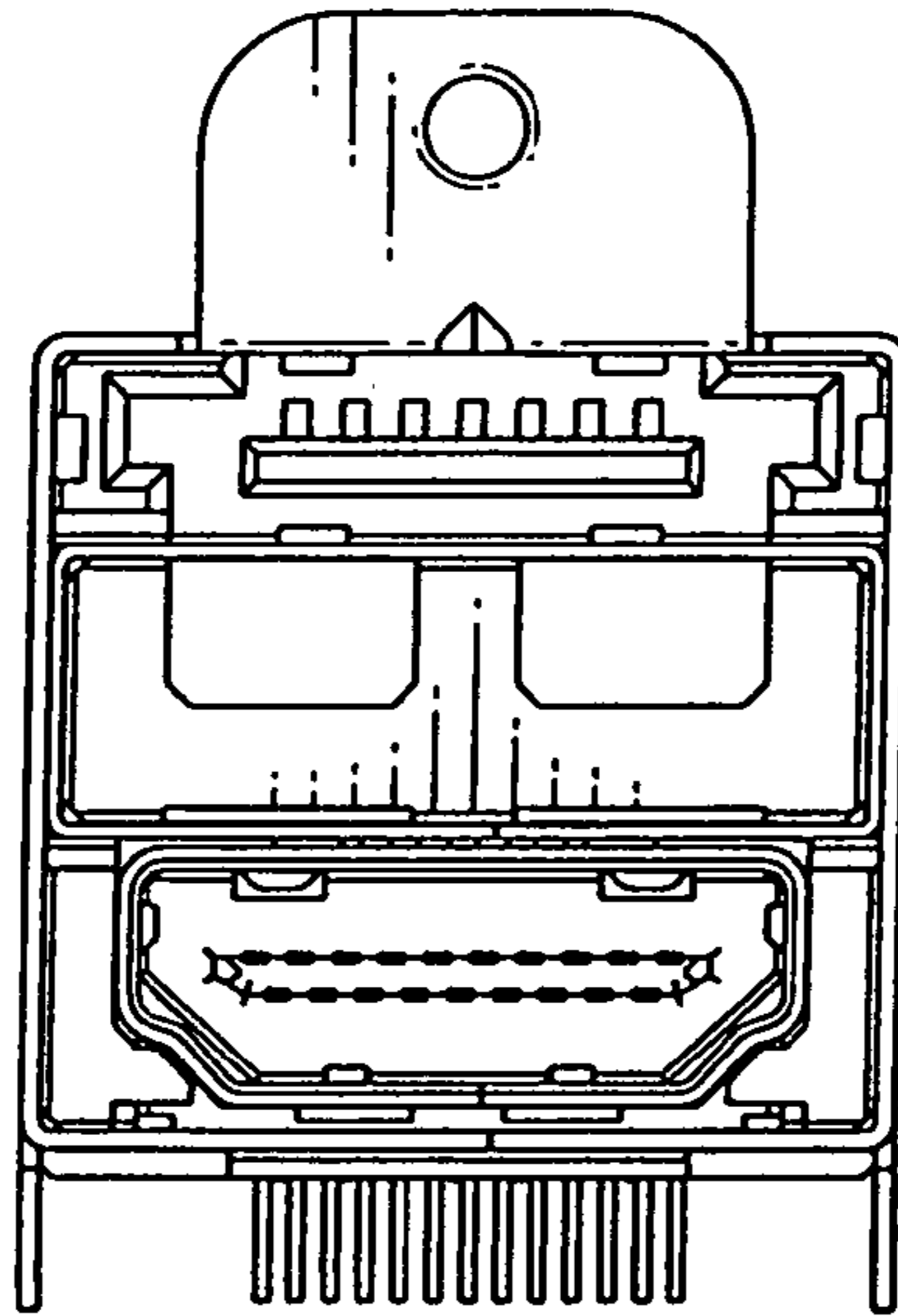


Fig. 4

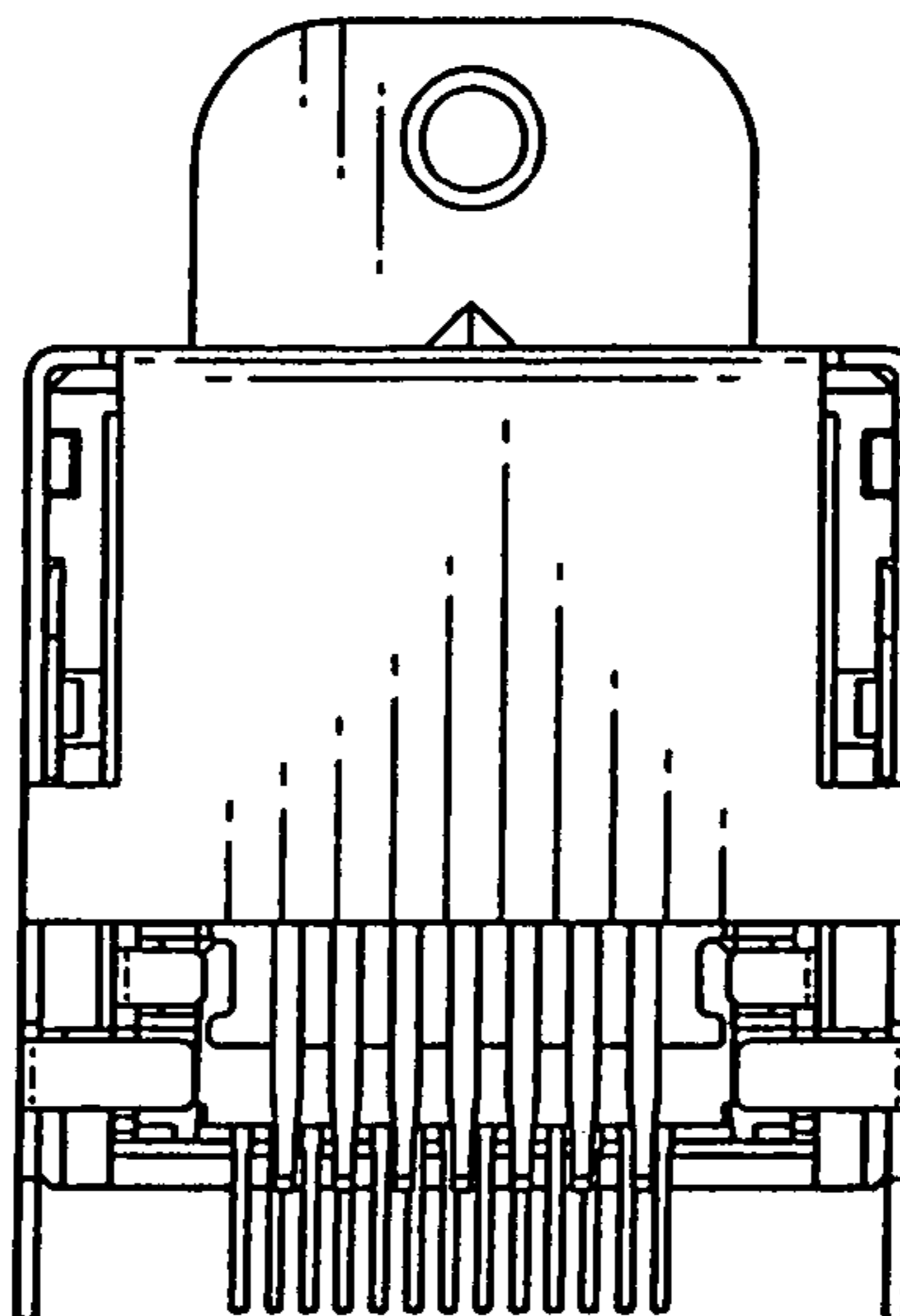


Fig. 5

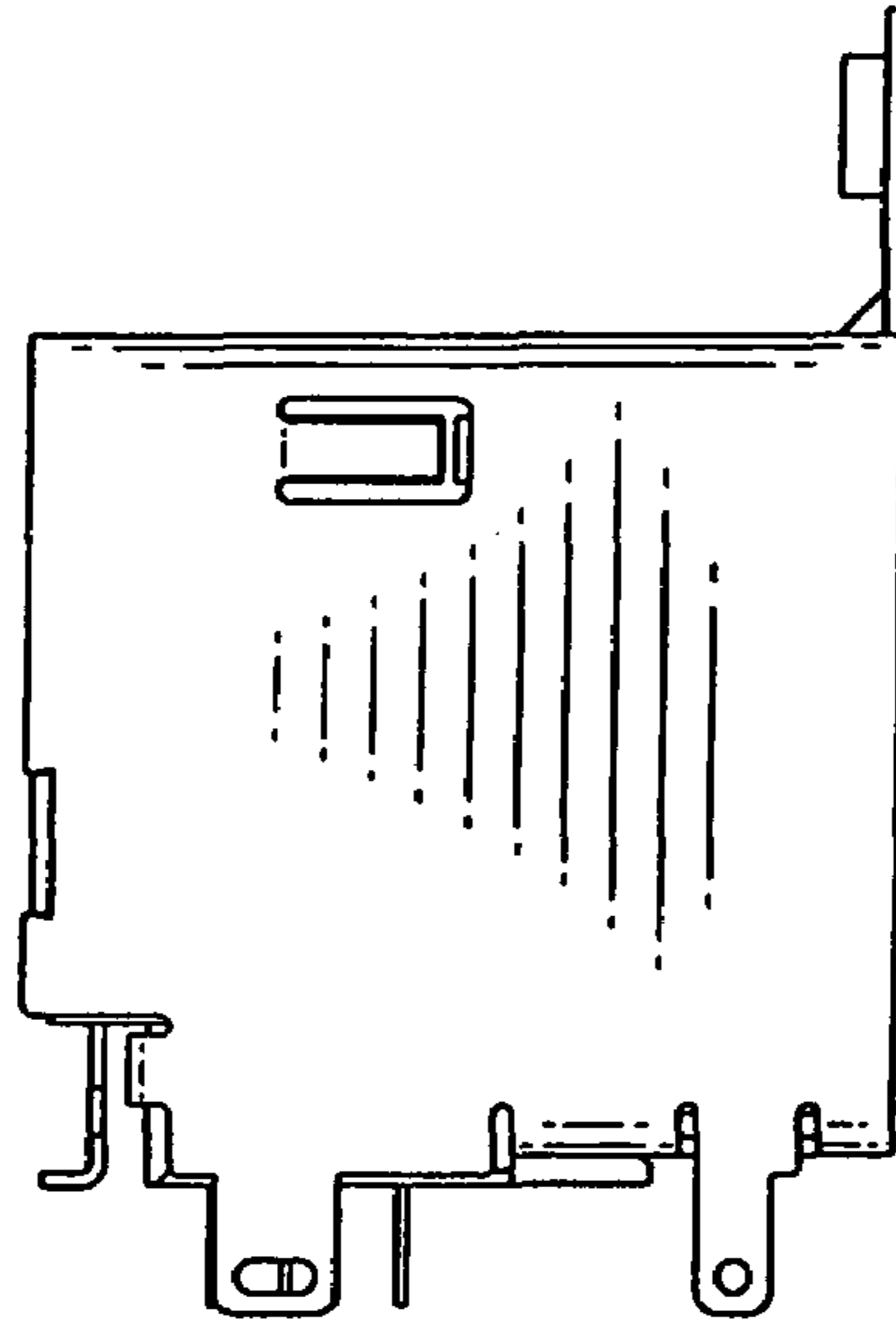


Fig. 6

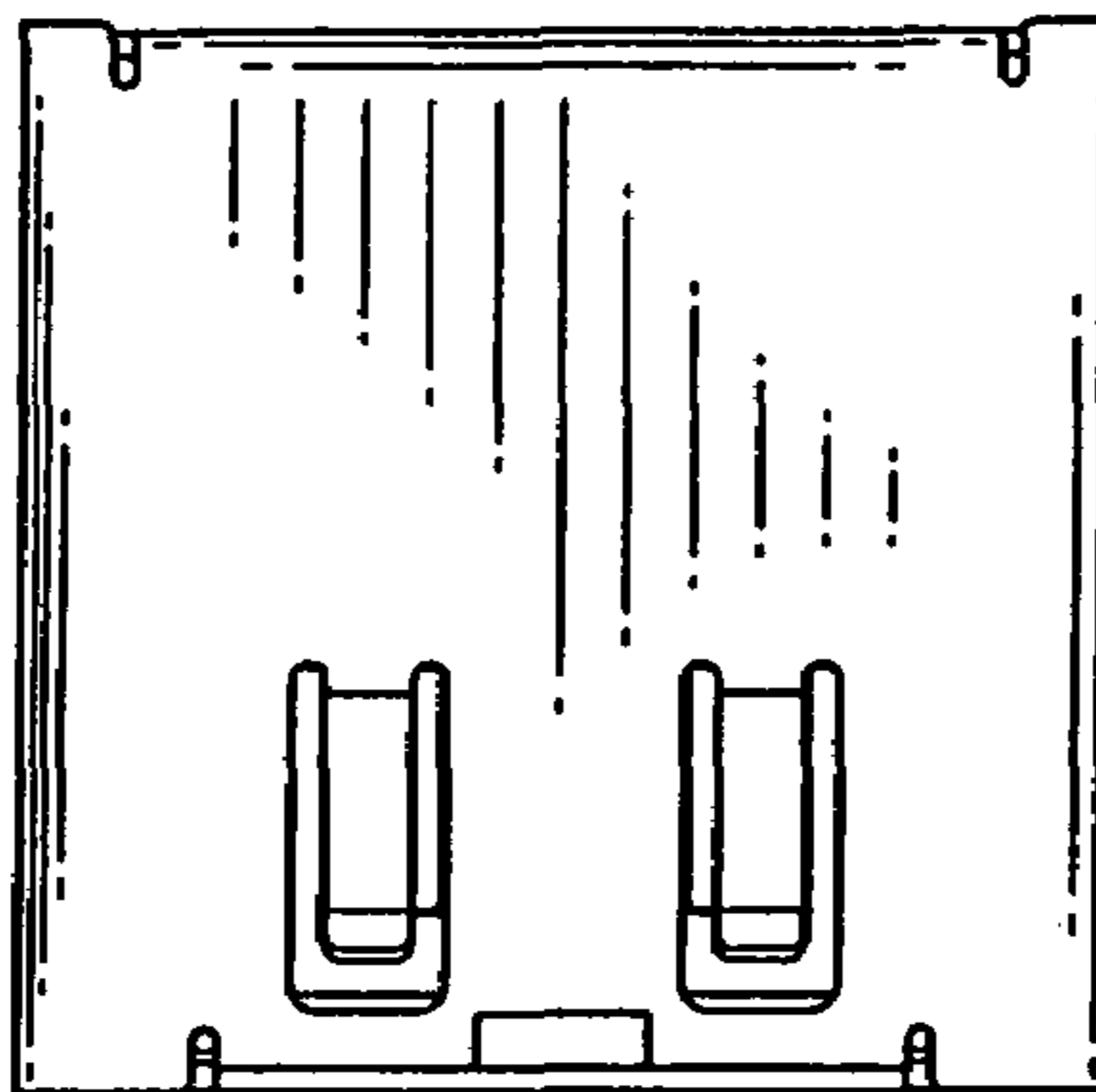


Fig. 7

