



US00D552036S

(12) **United States Design Patent**
Holland

(10) **Patent No.:** **US D552,036 S**

(45) **Date of Patent:** **** Oct. 2, 2007**

(54) **PLUG ADAPTER**

(76) Inventor: **Bryan Holland**, 6561 Churchil Dr.,
Huntington Beach, CA (US) 92648

(**) Term: **14 Years**

(21) Appl. No.: **29/267,049**

(22) Filed: **Oct. 3, 2006**

Related U.S. Application Data

(62) Division of application No. 29/252,914, filed on Jan.
27, 2006.

(51) **LOC (8) Cl.** **13-03**

(52) **U.S. Cl.** **D13/138.1**

(58) **Field of Classification Search** D13/108,
D13/110, 137.1-4, 138.1, 138.2, 133, 154;
439/171-172, 140, 160, 164, 135-138, 446,
439/131, 606, 105, 106, 11, 13, 31; 337/197-198;
174/53-58

See application file for complete search history.

(56) **References Cited**

U.S. PATENT DOCUMENTS

3,134,632 A * 5/1964 Kimball et al. 439/697
D308,962 S * 7/1990 Duk D13/138.1

(Continued)

Primary Examiner—Alan P. Douglas

Assistant Examiner—Rosemary K. Tarcza

(74) *Attorney, Agent, or Firm*—Darby & Darby

(57) **CLAIM**

The ornamental design for a plug adapter, as shown and
described.

DESCRIPTION

FIG. 1 is a top front perspective view of a first embodiment
of the plug adapter in accordance with the present design,
shown in its normal environment;

FIG. 2 is a top front enlarged perspective view of the plug
adapter shown in FIG. 1;

FIG. 3 is a front elevation of the plug adapter shown in FIG.
1;

FIG. 4 is a right side elevation of the plug adapter shown in
FIG. 1;

FIG. 5 is a rear elevation of the plug adapter shown in FIG.
1;

FIG. 6 is a left side elevation of the plug adapter shown in
FIG. 1;

FIG. 7 is a top plan view of the plug adapter shown in FIG.
1;

FIG. 8 is a bottom plan view of the plug adapter shown in
FIG. 1;

FIG. 9 is a top front perspective view of a second embodi-
ment of the plug adapter in accordance with the present
design, shown in its normal environment;

FIG. 10 is a top front enlarged perspective view of the plug
adapter shown in FIG. 9;

FIG. 11 is a front elevation of the plug adapter shown in FIG.
9;

FIG. 12 is a right side elevation of the plug adapter shown
in FIG. 9;

FIG. 13 is a rear elevation of the plug adapter shown in FIG.
9;

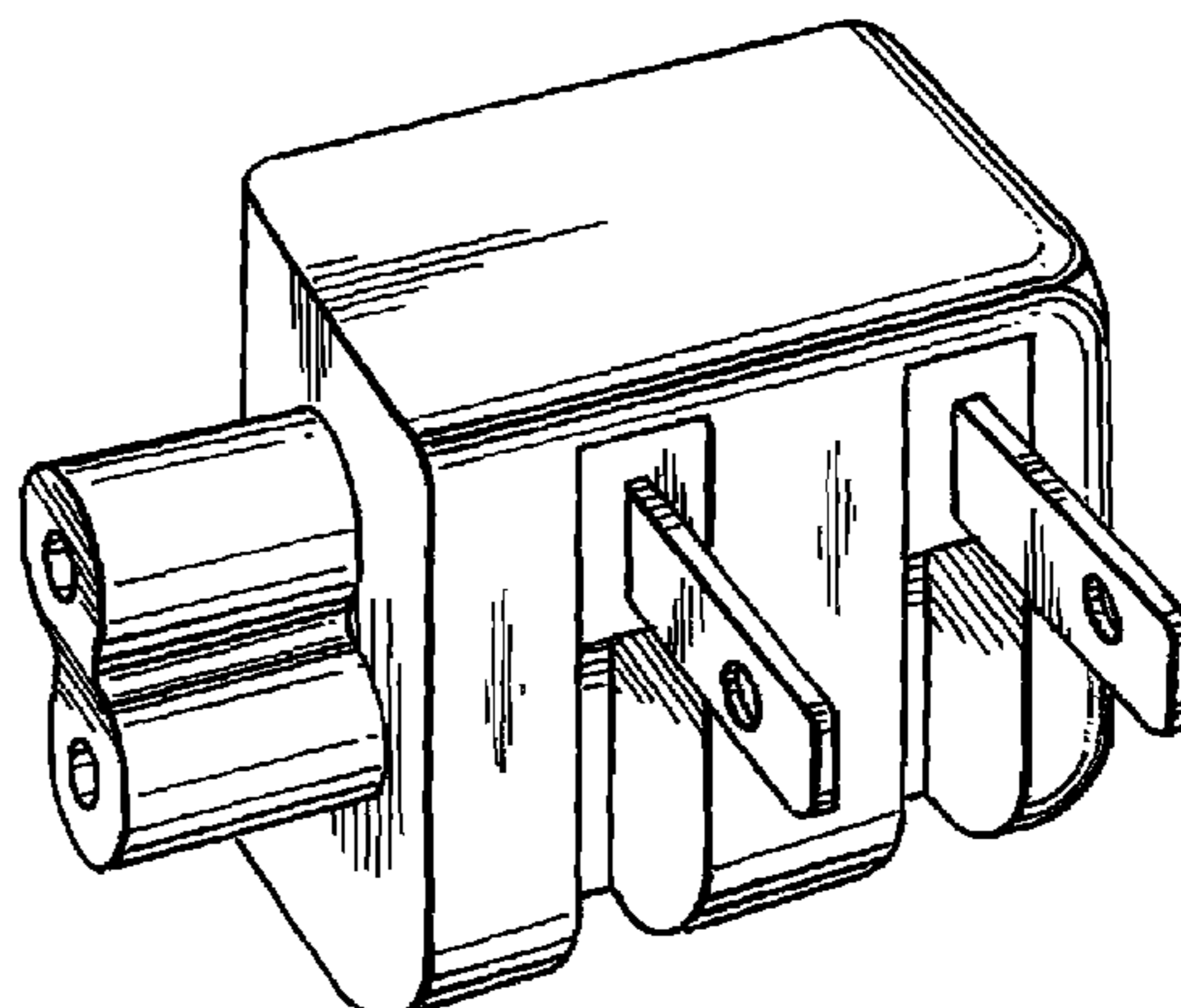
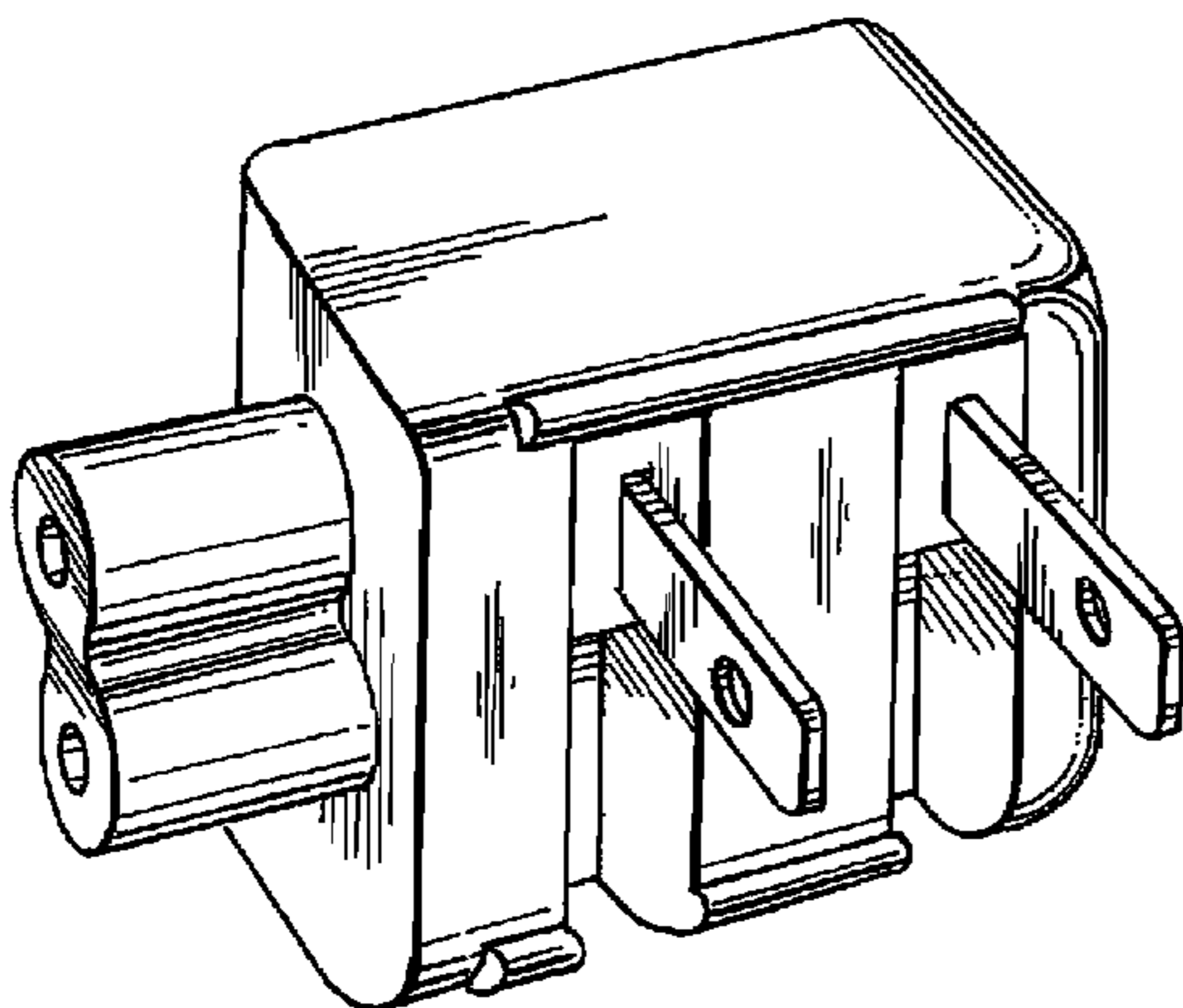
FIG. 14 is a left side elevation of the plug adapter shown in
FIG. 9;

FIG. 15 is a top plan view of the plug adapter shown in FIG.
9; and,

FIG. 16 is a bottom plan view of the plug adapter shown in
FIG. 9.

The broken lines showing the power adapter in FIGS. 1 and
9 are included for the purpose of illustrating environmental
structure only and form no part of the claimed design.

1 Claim, 6 Drawing Sheets



US D552,036 S

Page 2

U.S. PATENT DOCUMENTS

D405,758 S *	2/1999	Martensson	D13/138.1	D478,546 S	8/2003	Andre et al.	
D408,786 S *	4/1999	Goto	D13/138.1	D491,142 S *	6/2004	Stekelenburg	D13/138.1
6,059,584 A *	5/2000	Mareno	439/131	6,793,509 B2 *	9/2004	Chen	439/136
6,089,886 A *	7/2000	Mareno	439/131	7,001,196 B1 *	2/2006	Huang	439/320
D474,744 S *	5/2003	Wu	D13/137.1	D519,922 S *	5/2006	Andre et al.	D13/110
D478,310 S	8/2003	Andre et al.		2002/0090848 A1 *	7/2002	Yu	439/131
				2004/0127080 A1 *	7/2004	Chen	439/172

* cited by examiner

FIG. 1

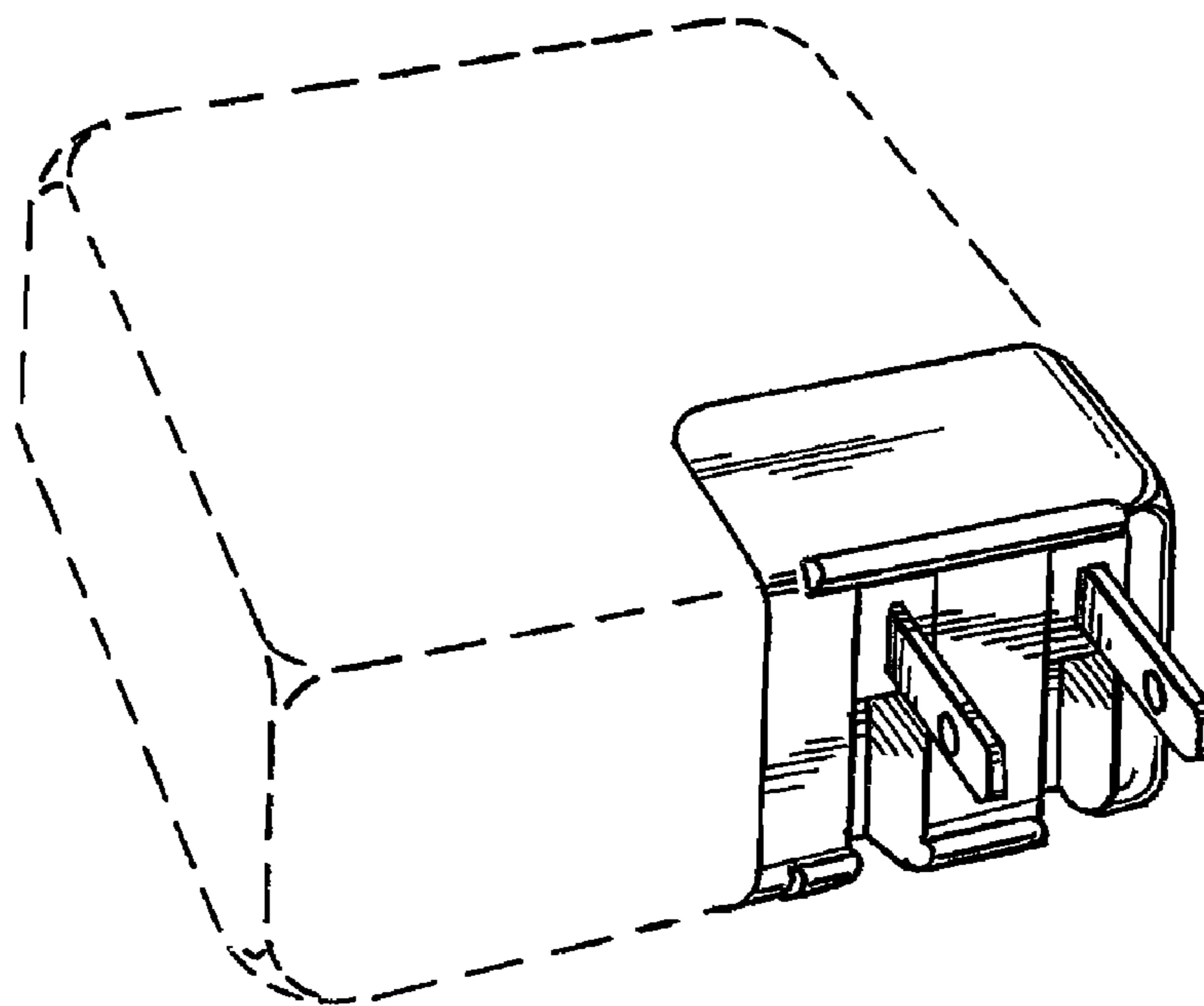
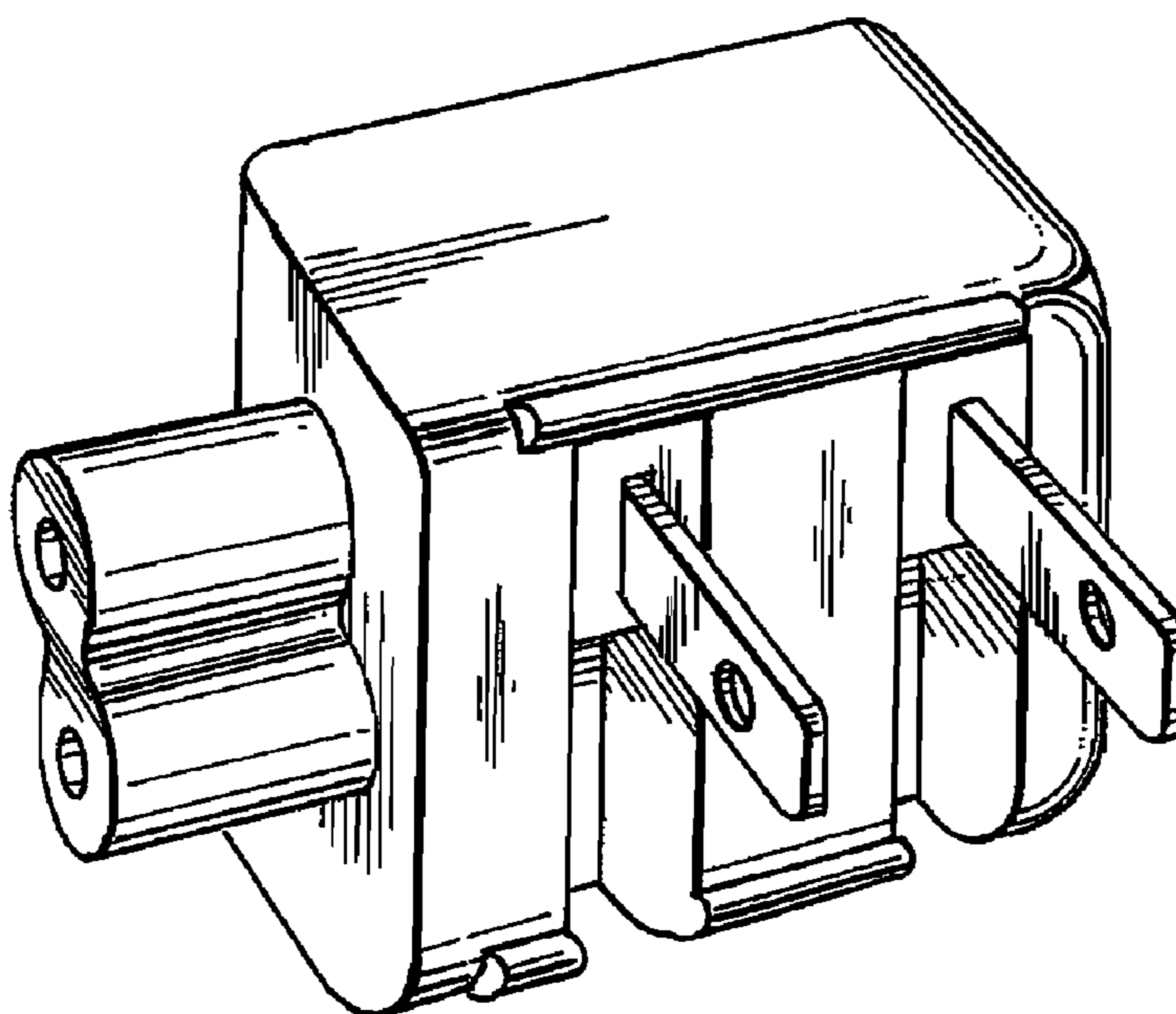


FIG. 2



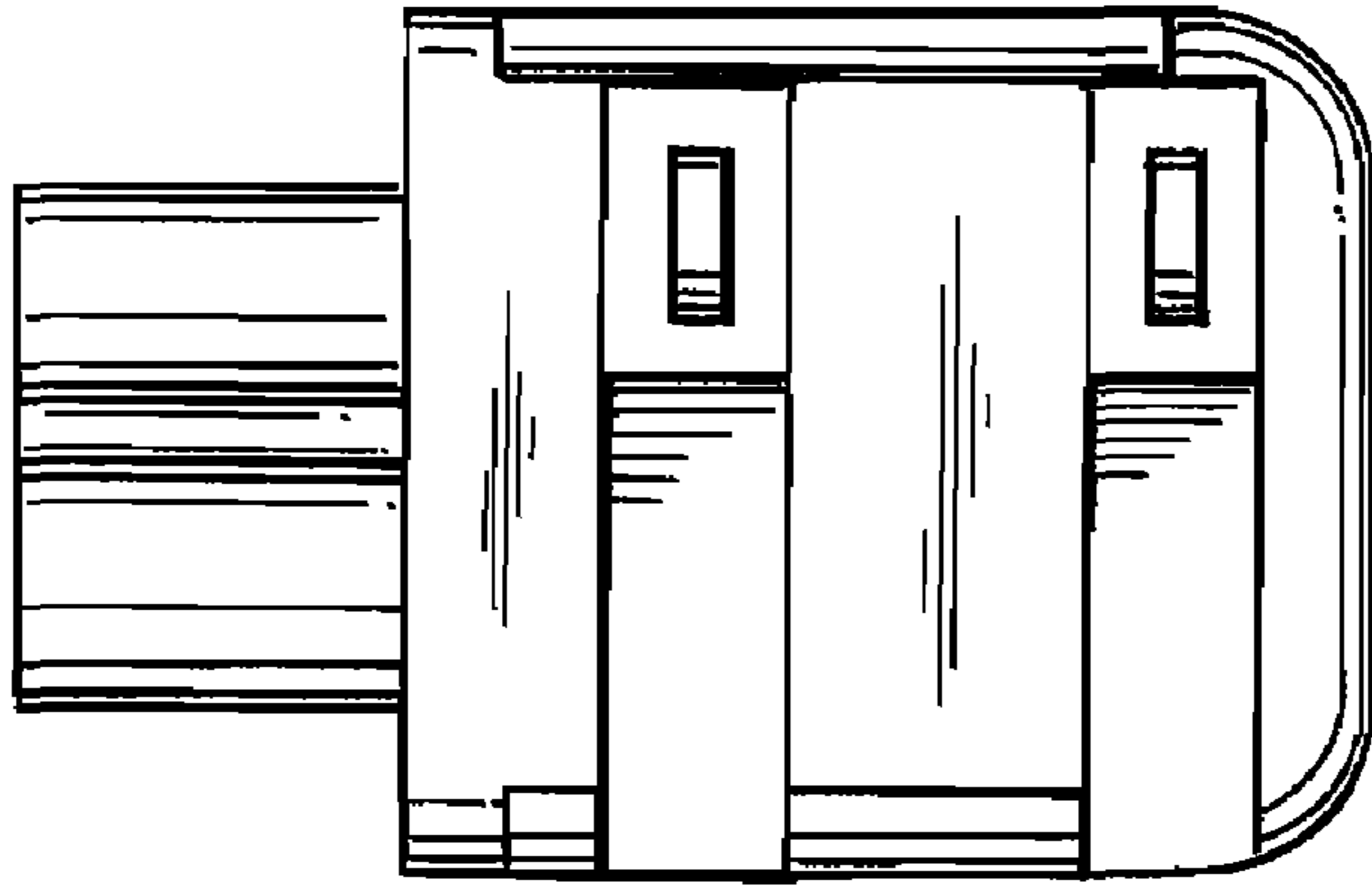


FIG. 3

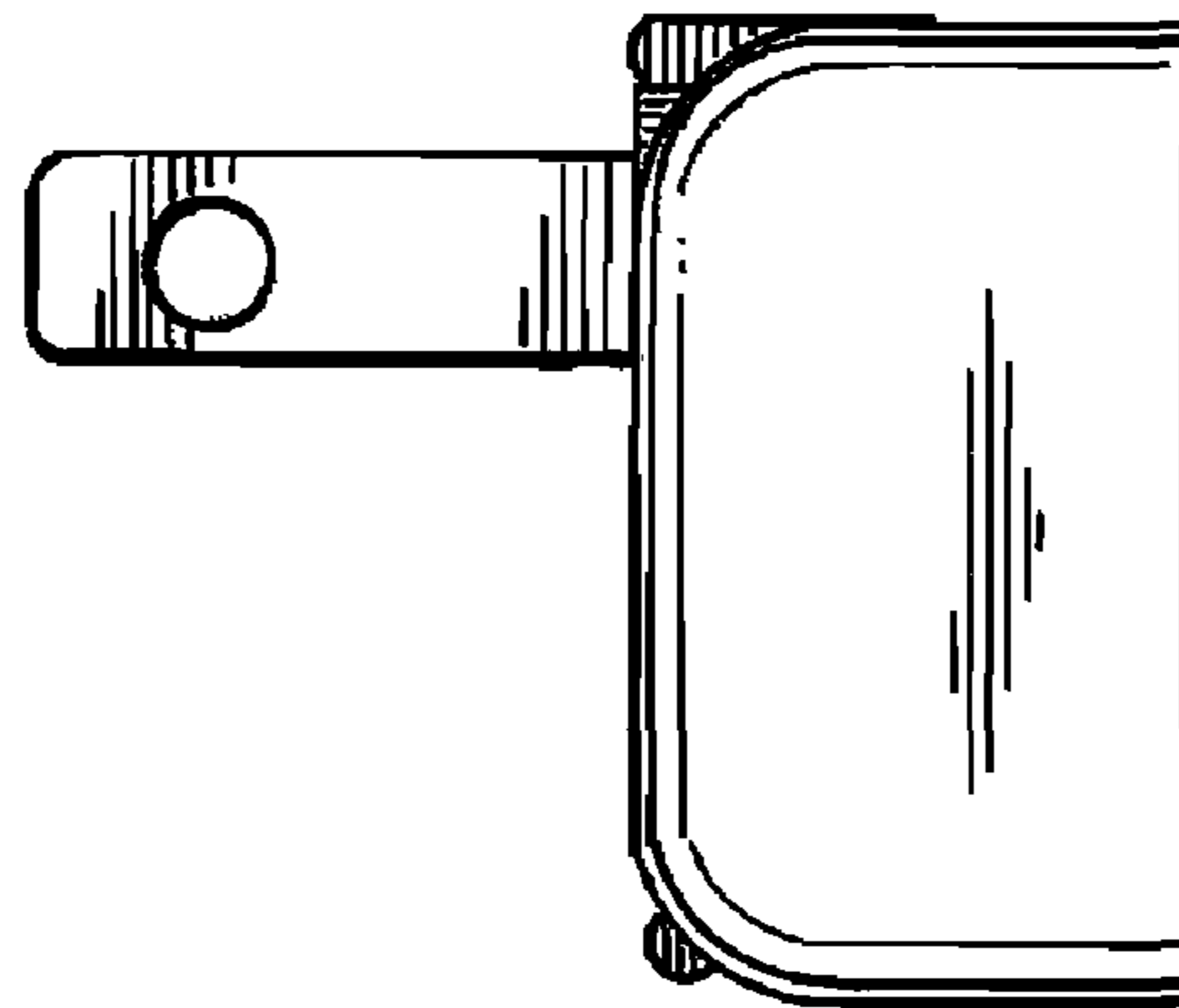


FIG. 4

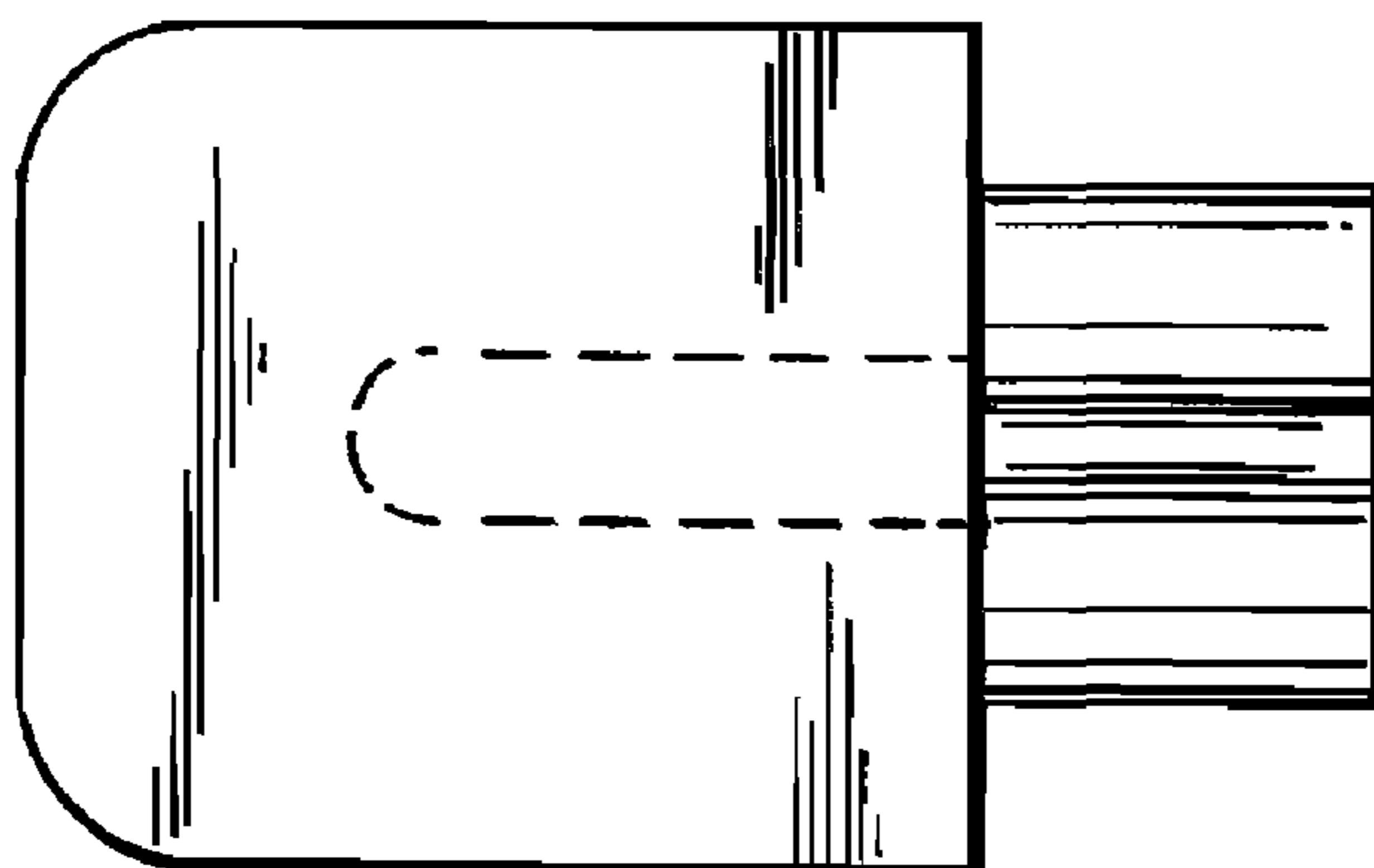


FIG. 5

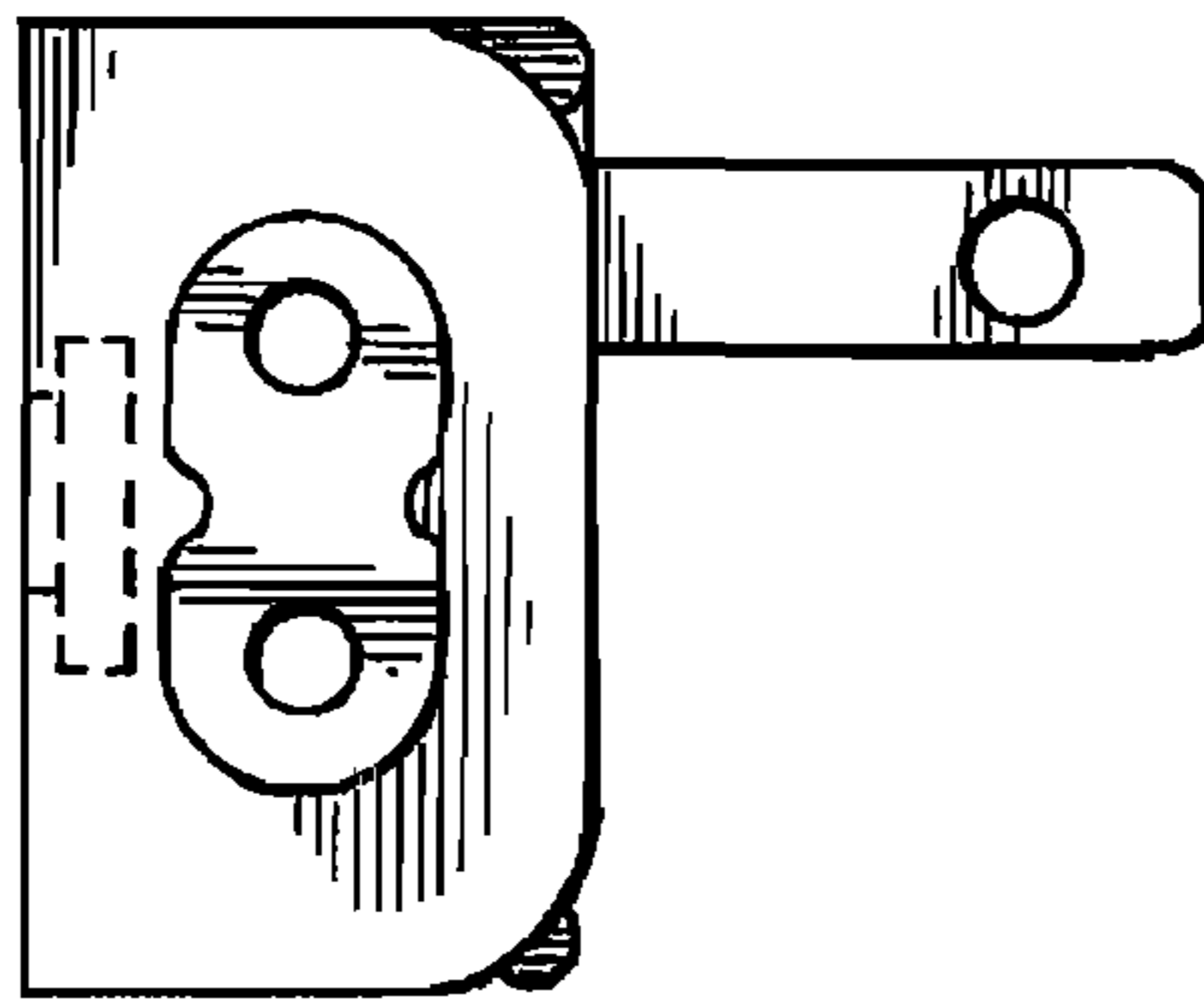


FIG. 6

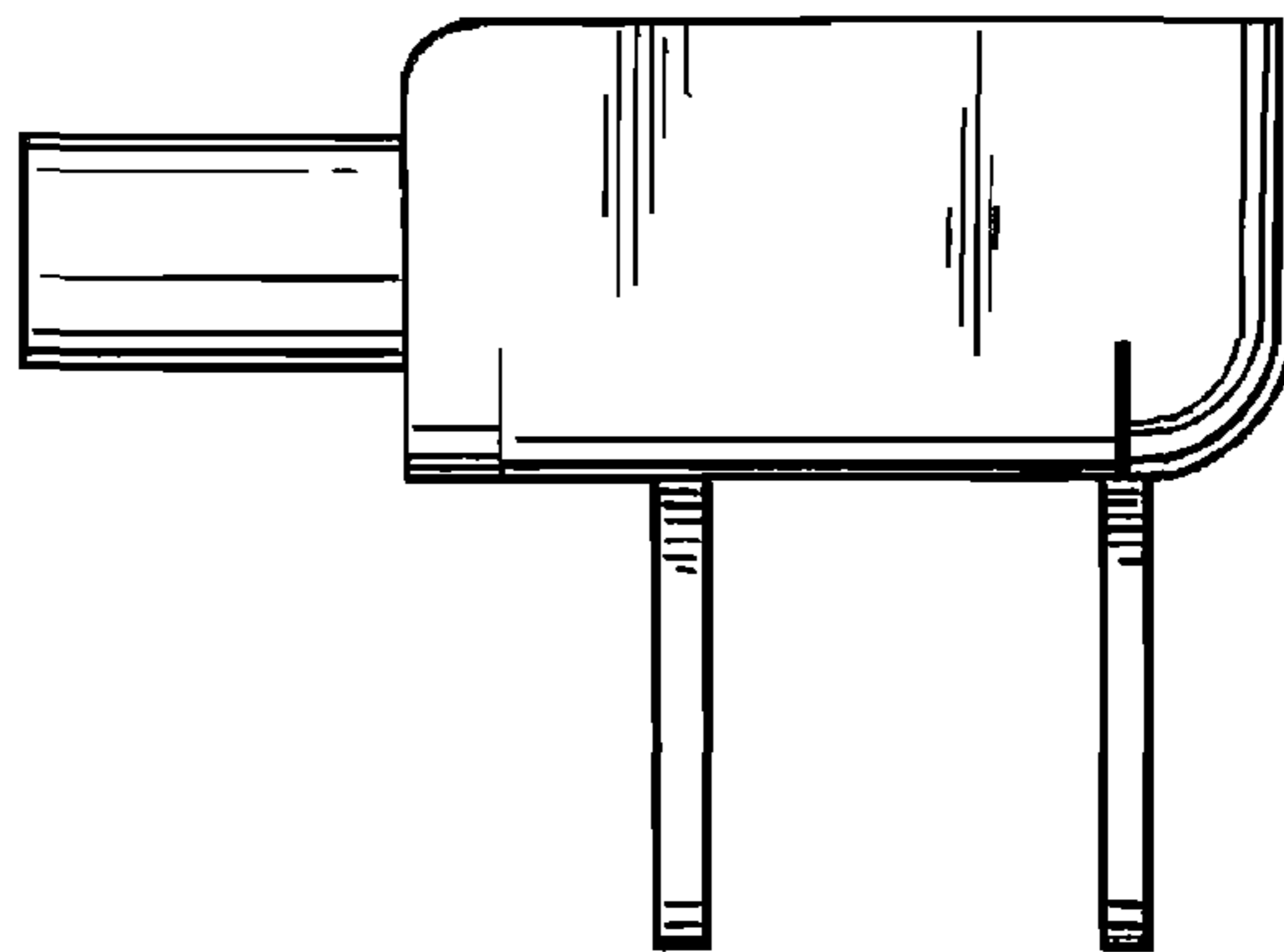


FIG. 7

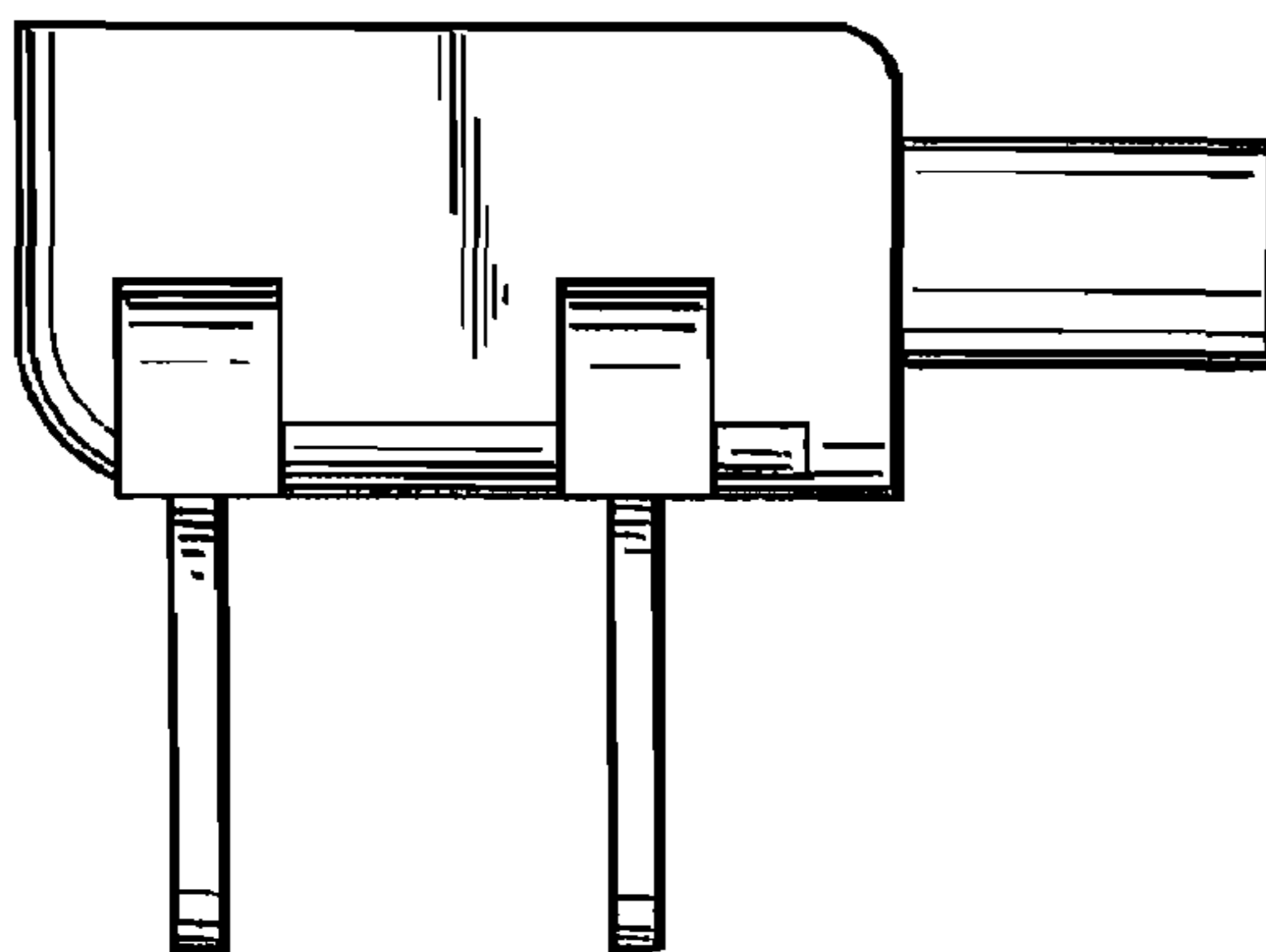


FIG. 8

FIG. 9

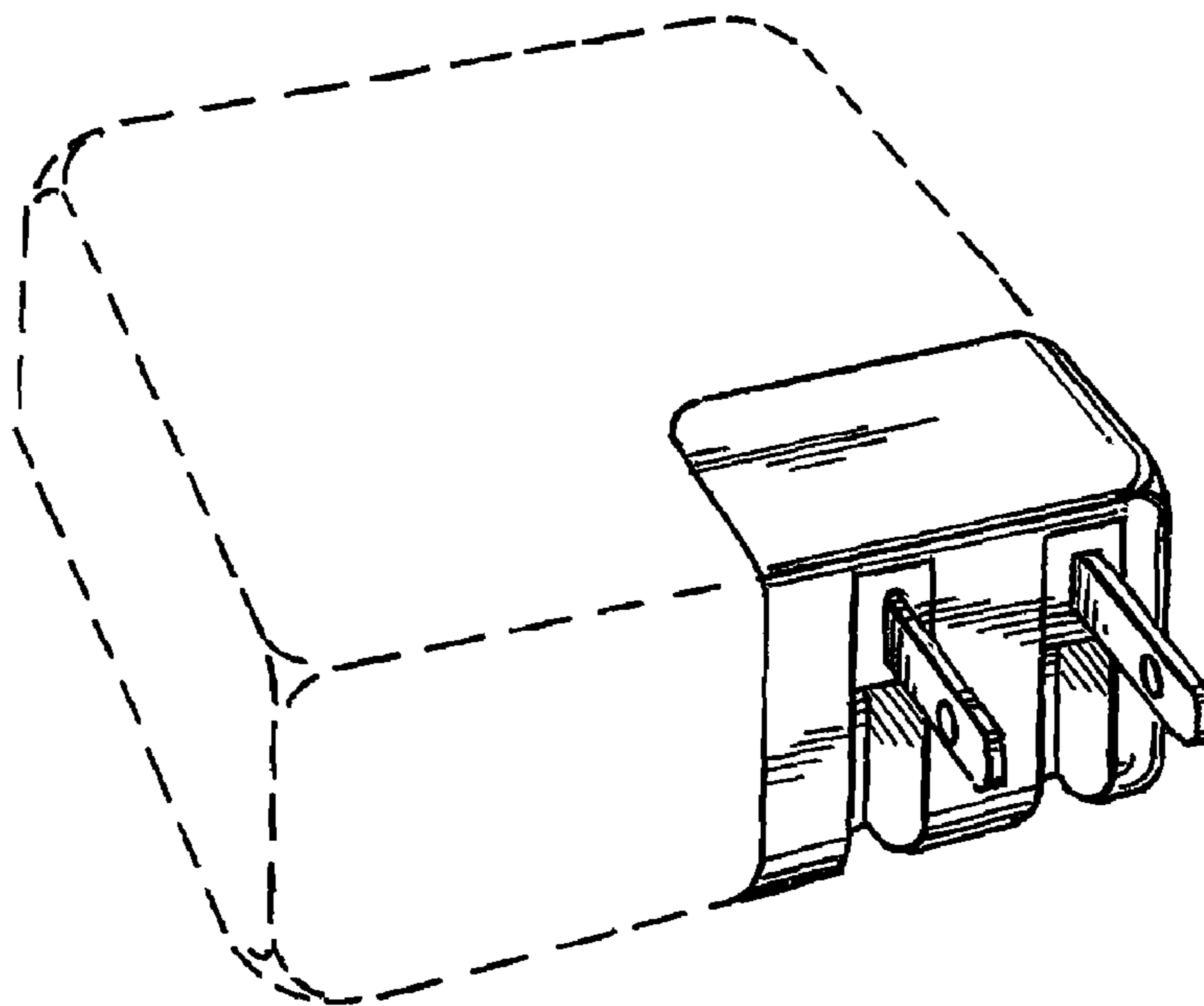
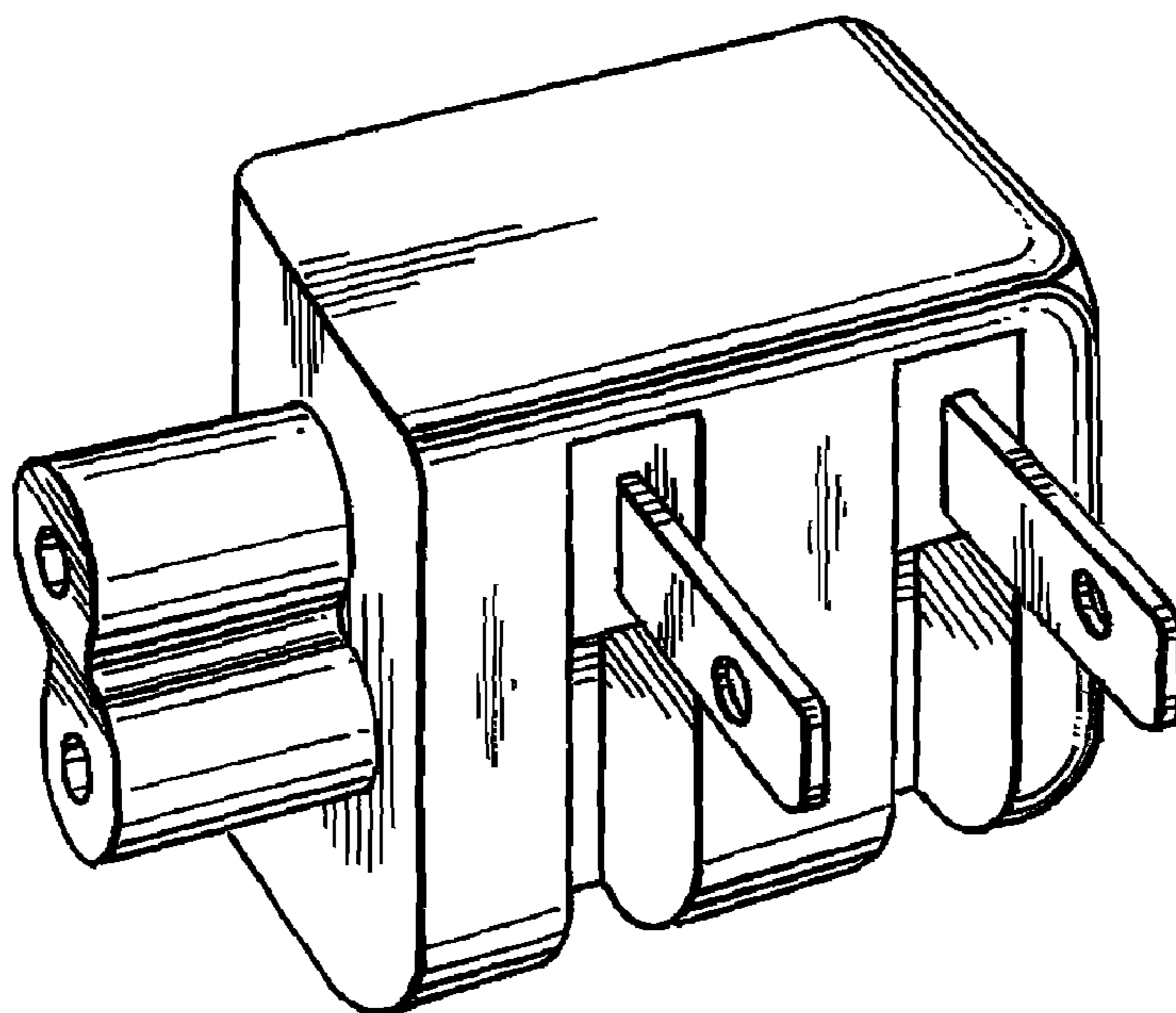


FIG. 10



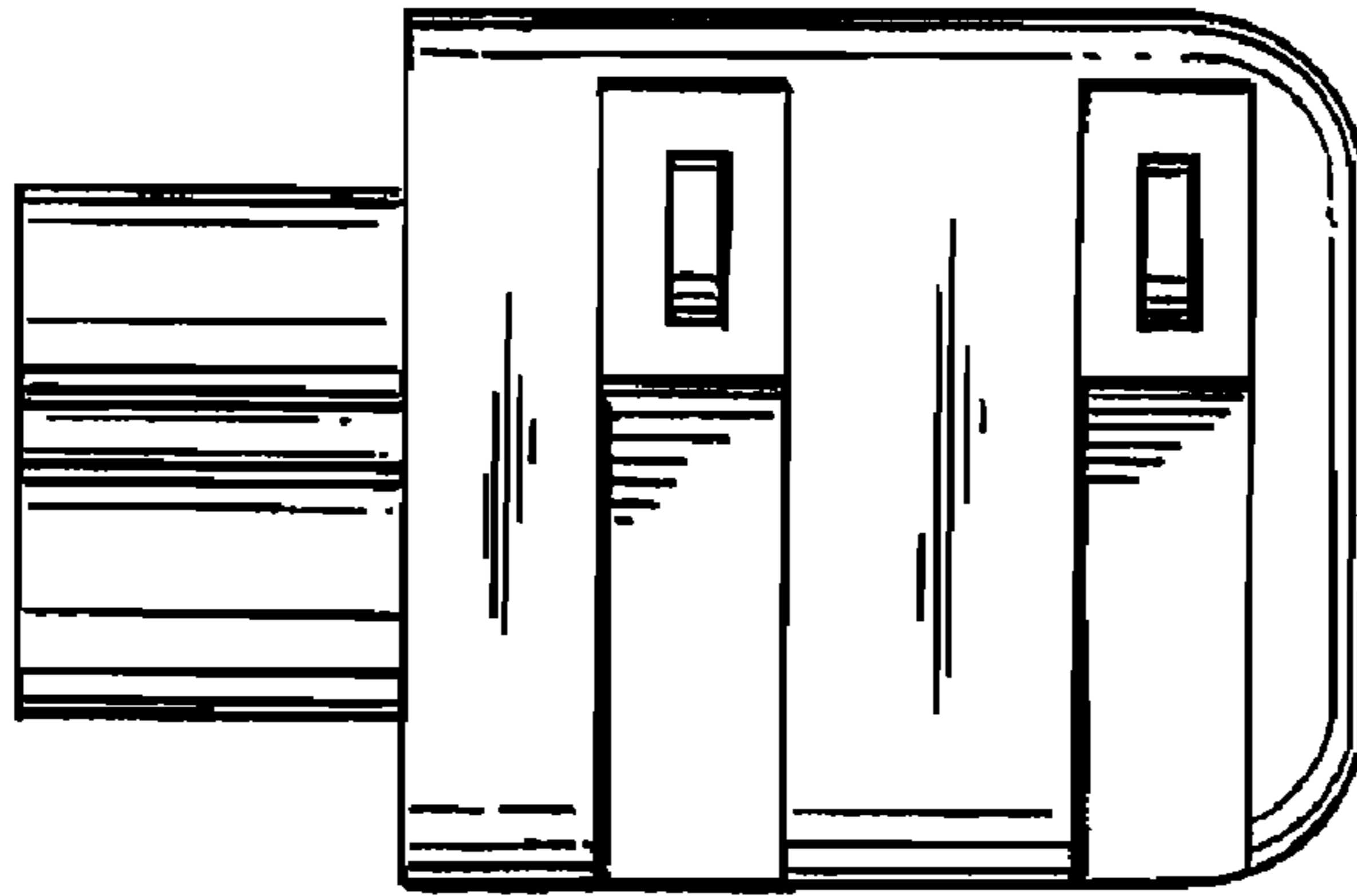


FIG. 11

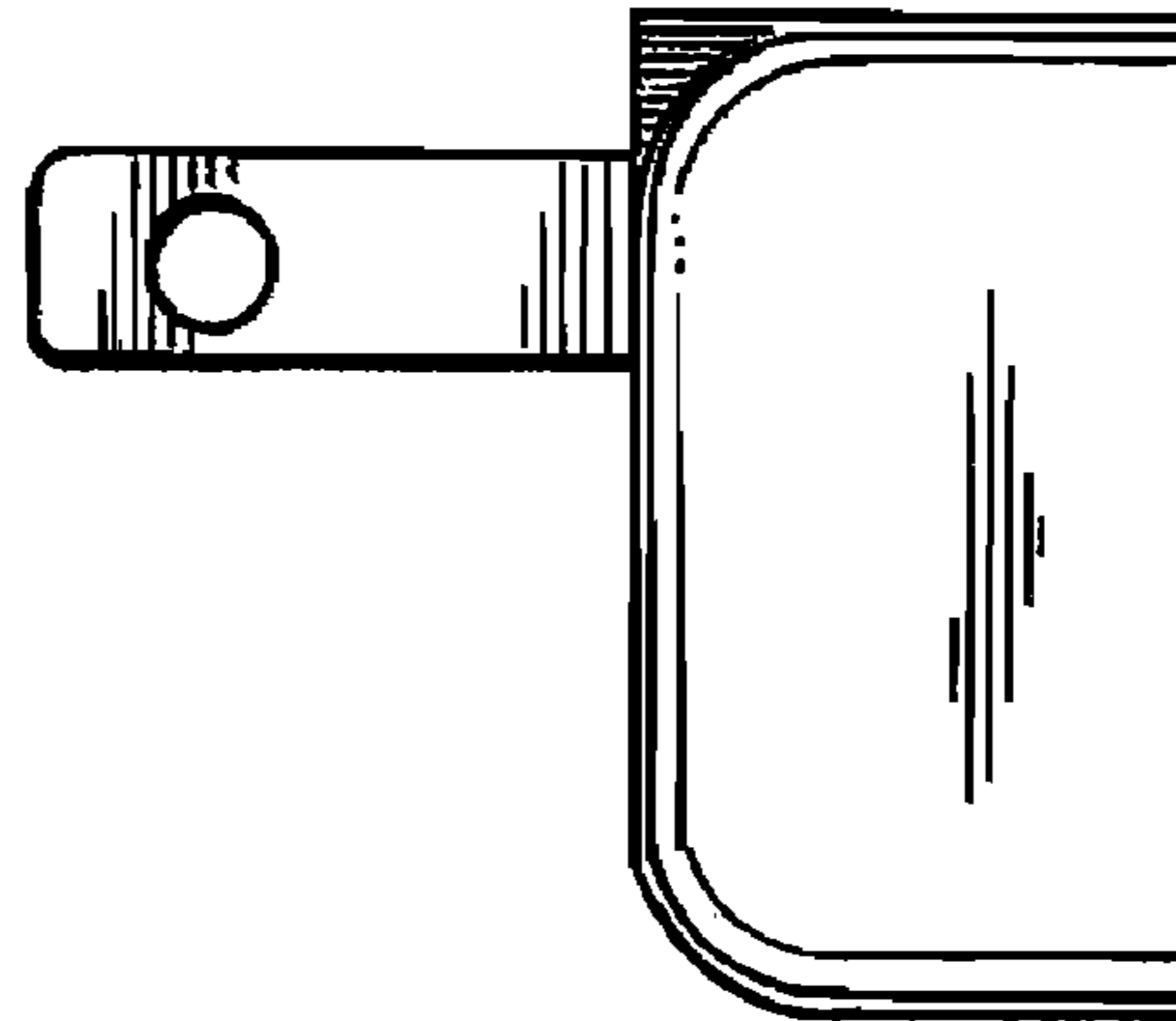


FIG. 12

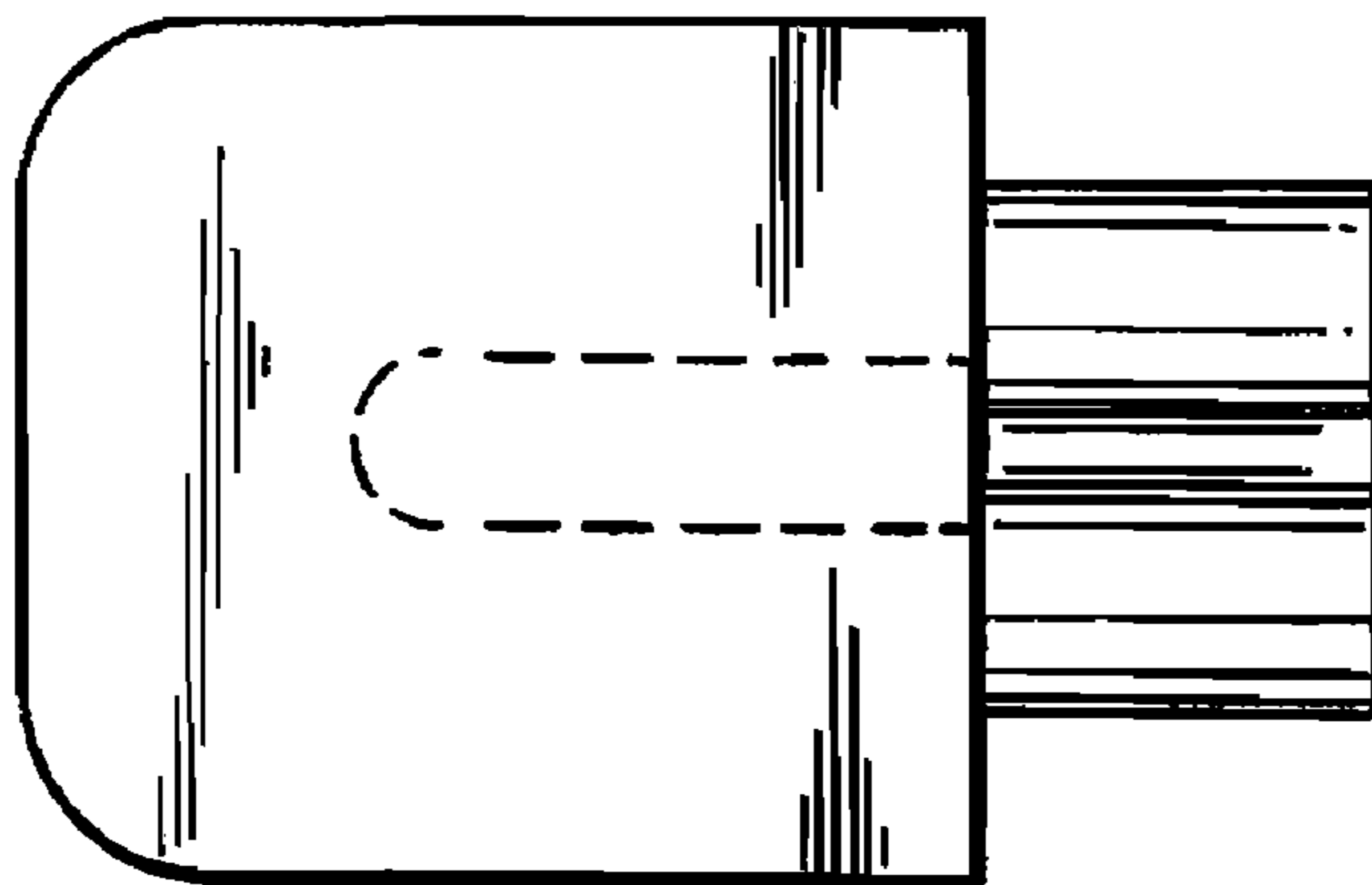


FIG. 13

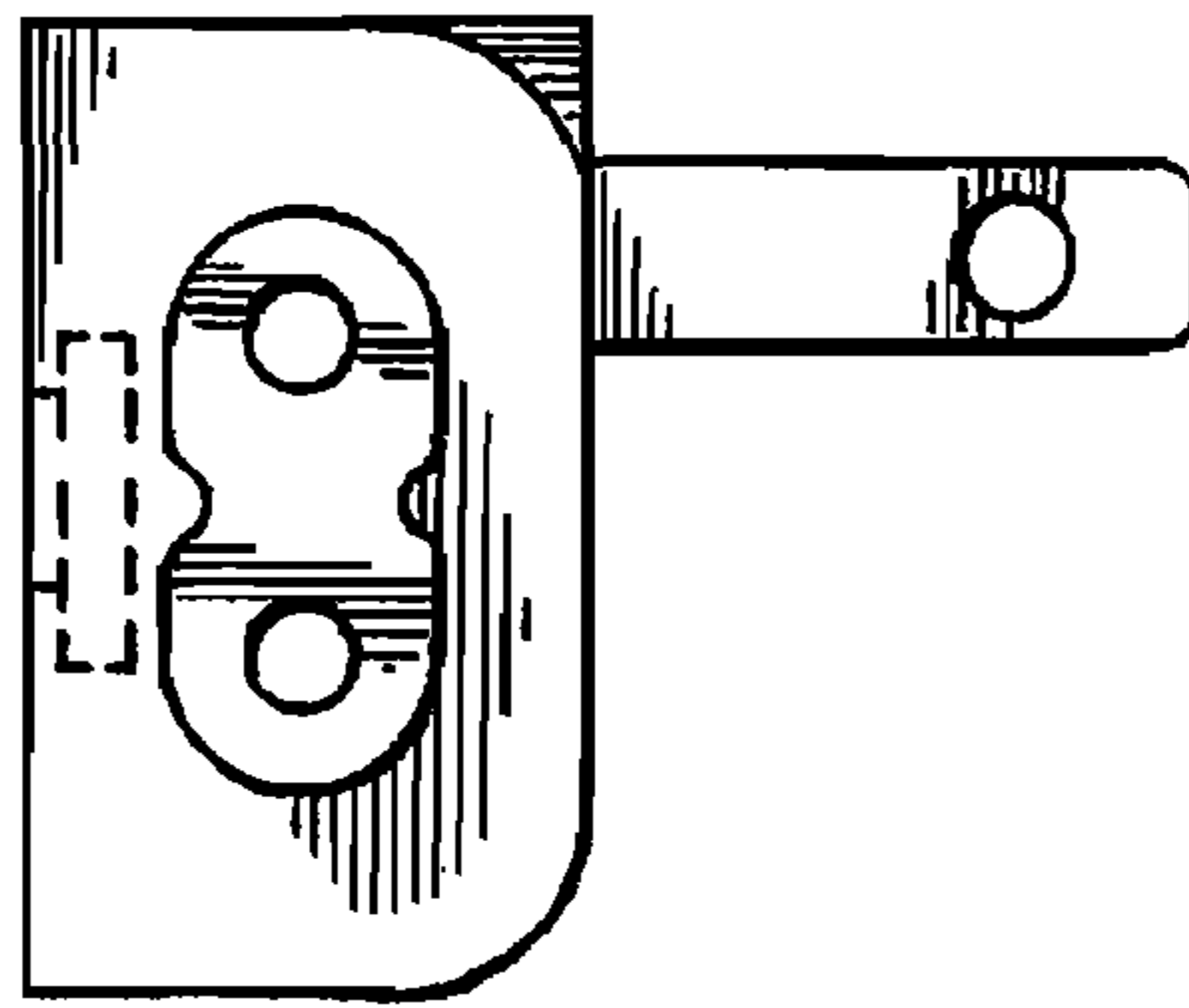


FIG. 14

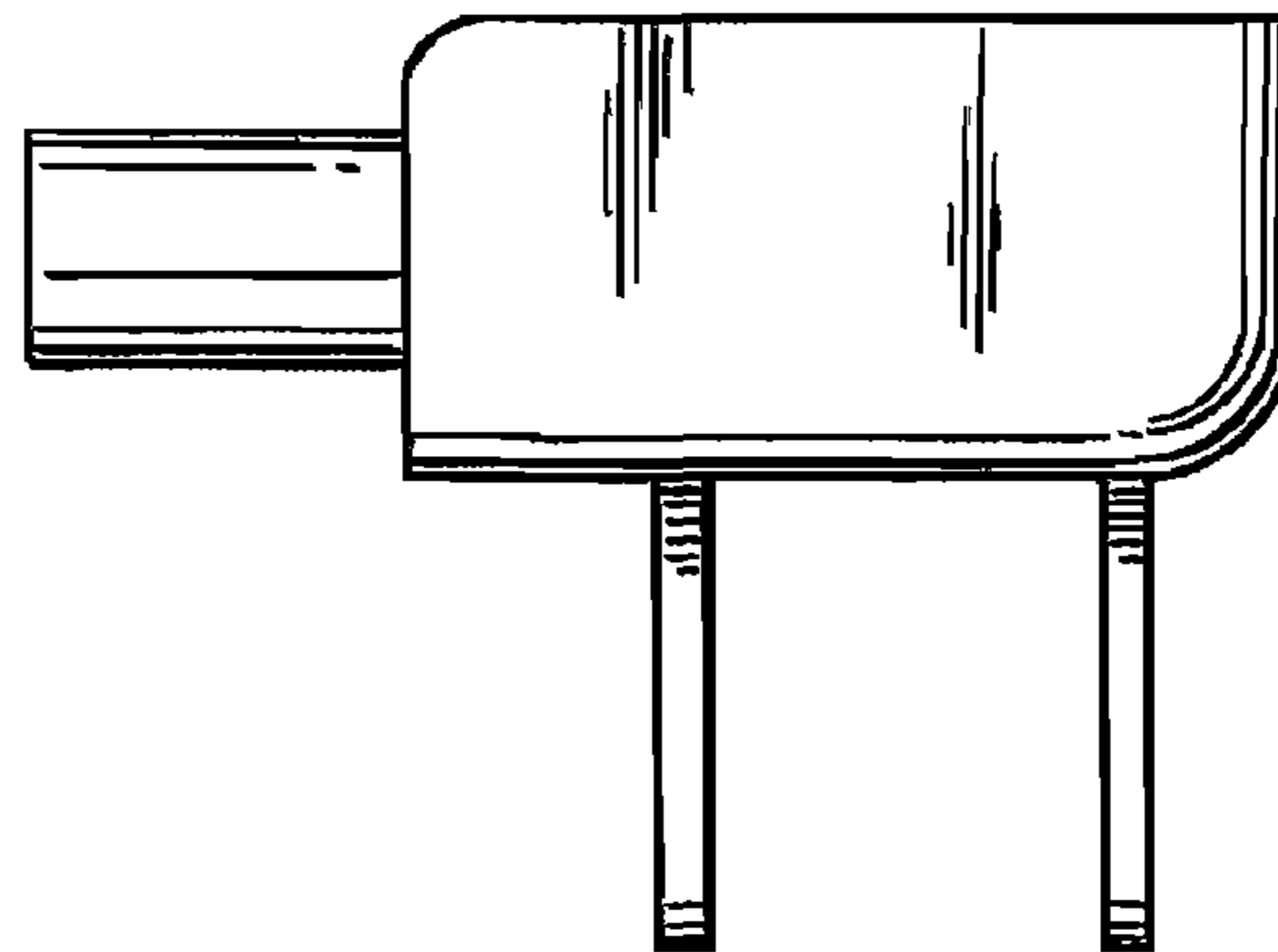


FIG. 15

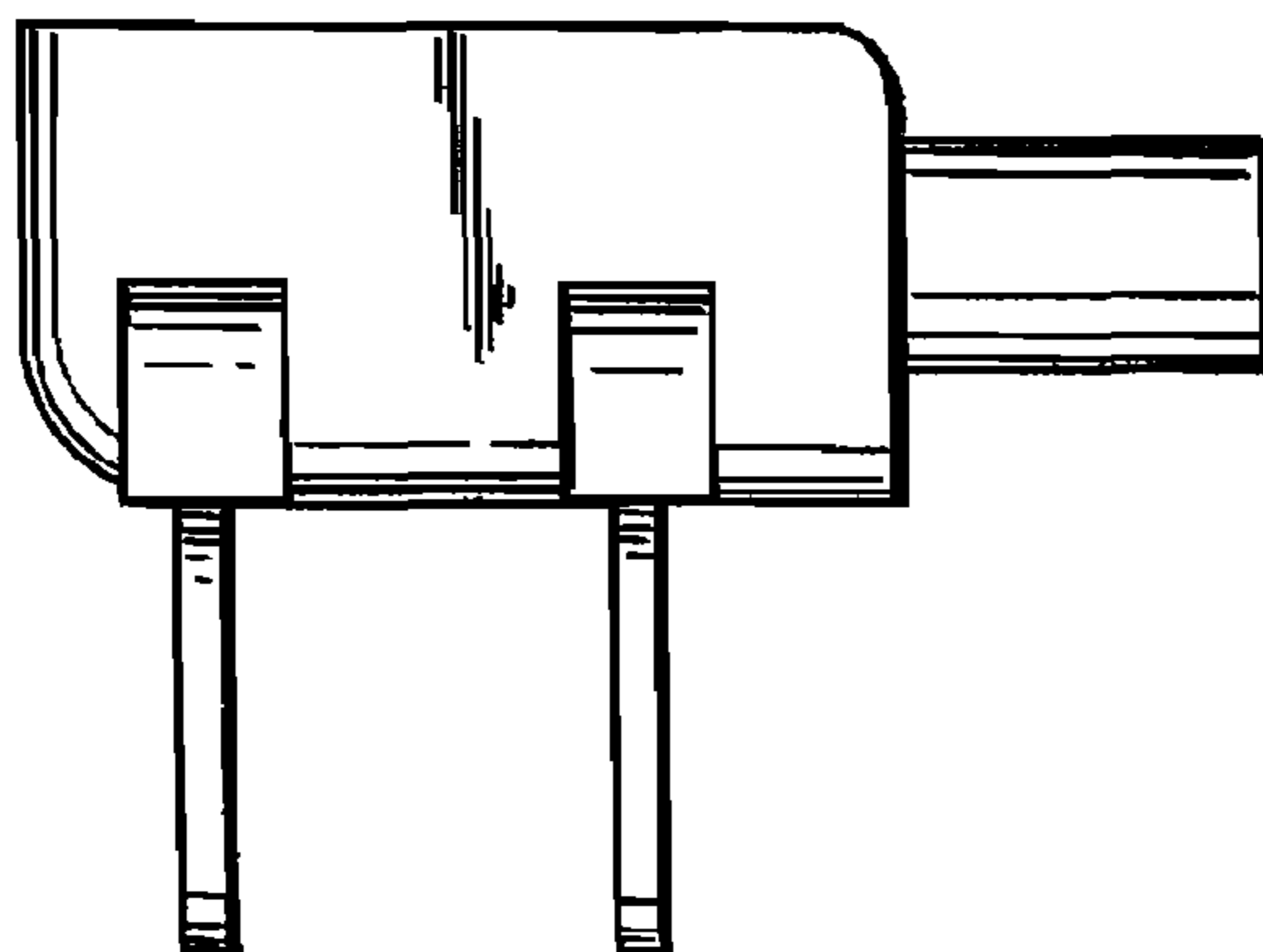


FIG. 16