



US00D552035S

(12) **United States Design Patent**  
**Kovacs**

(10) **Patent No.:** **US D552,035 S**

(45) **Date of Patent:** **\*\* Oct. 2, 2007**

(54) **FOUR LUGGED LAMP BASE**

2003/0133292 A1\* 7/2003 Mueller et al. .... 362/231

(75) Inventor: **George Kovacs**, Wallingford, CT (US)

\* cited by examiner

(73) Assignee: **LightSources Inc.**, Orange, CT (US)

*Primary Examiner*—Daniel Bui

(74) *Attorney, Agent, or Firm*—Cantor Colburn LLP

(\*\*) Term: **14 Years**

(21) Appl. No.: **29/266,649**

(57) **CLAIM**

(22) Filed: **Sep. 25, 2006**

The ornamental design for a four lugged lamp base, as shown and described.

(51) **LOC (8) Cl.** ..... **13-03**

(52) **U.S. Cl.** ..... **D13/134**

(58) **Field of Classification Search** ..... D13/133–136,  
D13/154, 184, 199; D26/24, 113; 313/318.01,  
313/318.02, 318.03, 318.05, 318.12; 362/260,  
362/581; 439/168, 220, 226, 232, 280, 336,  
439/419, 602

See application file for complete search history.

**DESCRIPTION**

FIG. 1 is a top, front and right side perspective view of a four lugged lamp base, showing our new design;

FIG. 2 is a top, rear and left side perspective view thereof;

FIG. 3 is a front elevation view thereof;

FIG. 4 is a rear elevation view thereof;

FIG. 5 is a left side elevation view thereof;

FIG. 6 is a right side elevation view thereof;

FIG. 7 is a bottom plan view thereof; and,

FIG. 8 is a top plan view thereof.

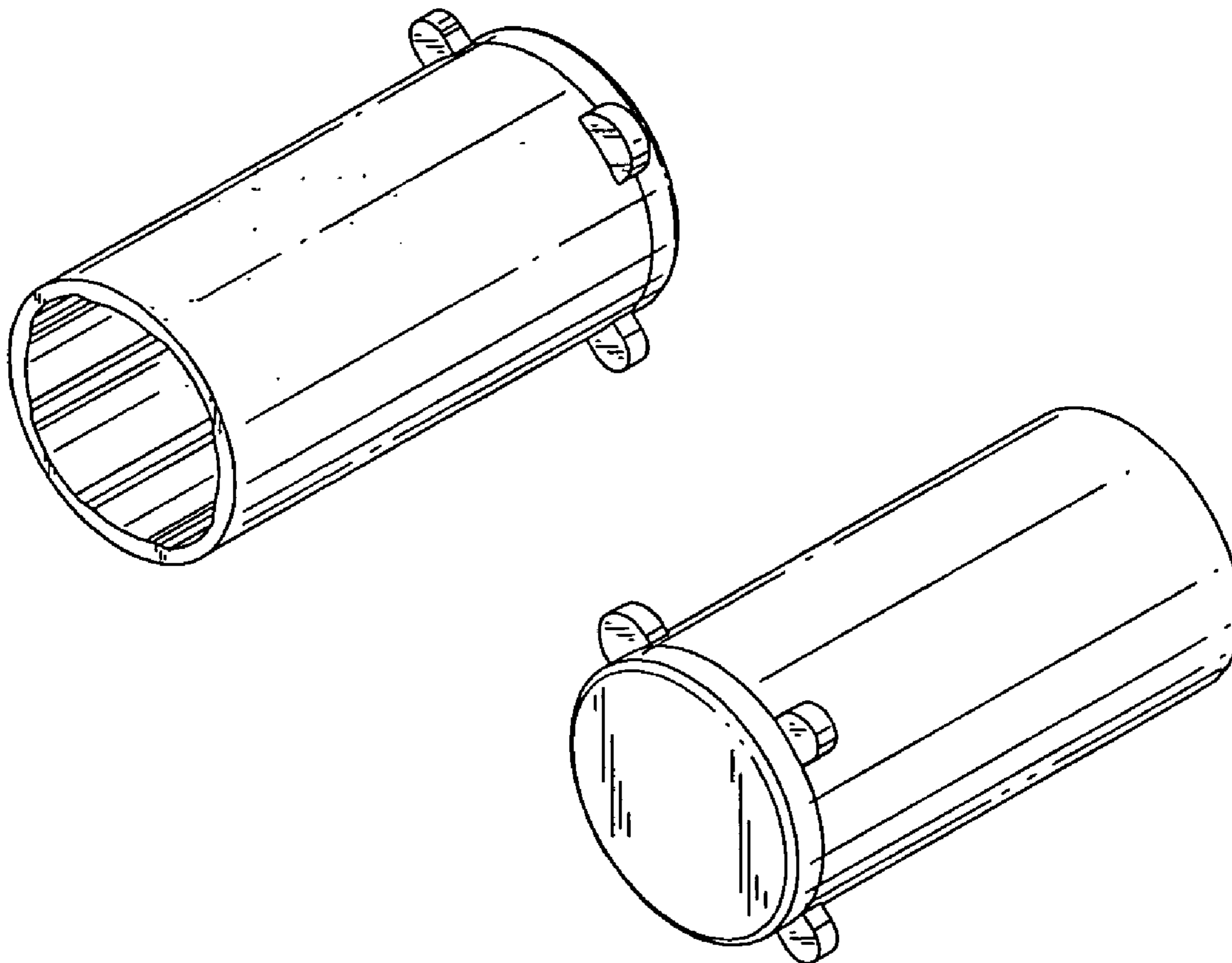
The broken line showing of the environment is for illustrative purposes only and forms no part of the claimed design.

(56) **References Cited**

U.S. PATENT DOCUMENTS

2,709,792 A *	5/1955	Peters	.....	439/232
D210,210 S *	2/1968	Braiman	.....	D13/125
D260,879 S *	9/1981	Avramovich	.....	D13/146
D348,249 S *	6/1994	Hester	.....	D13/134
D387,730 S *	12/1997	McCarthy	.....	D13/133
6,113,408 A *	9/2000	Burwell et al.	.....	439/226

**1 Claim, 1 Drawing Sheet**



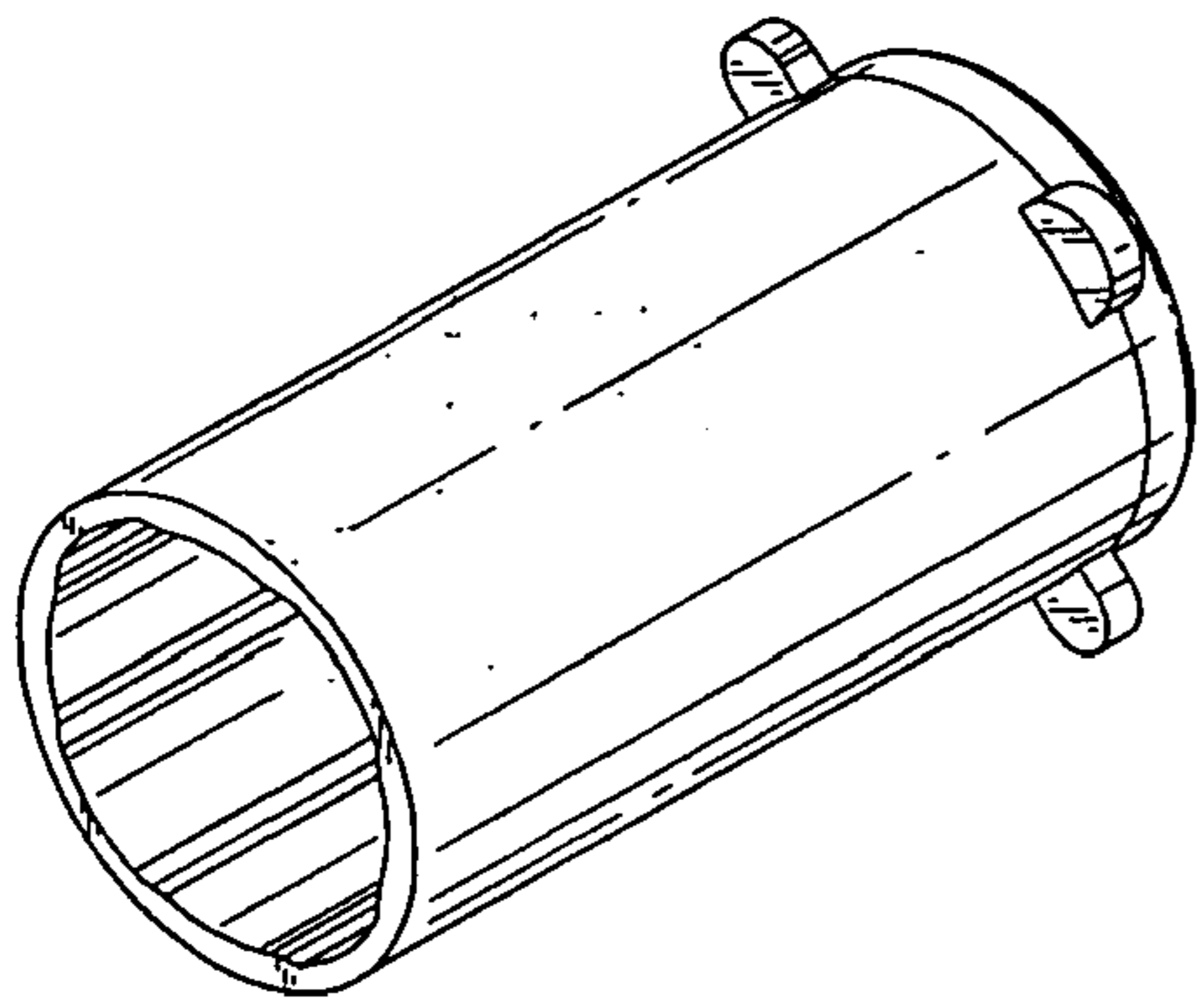


FIG. 1

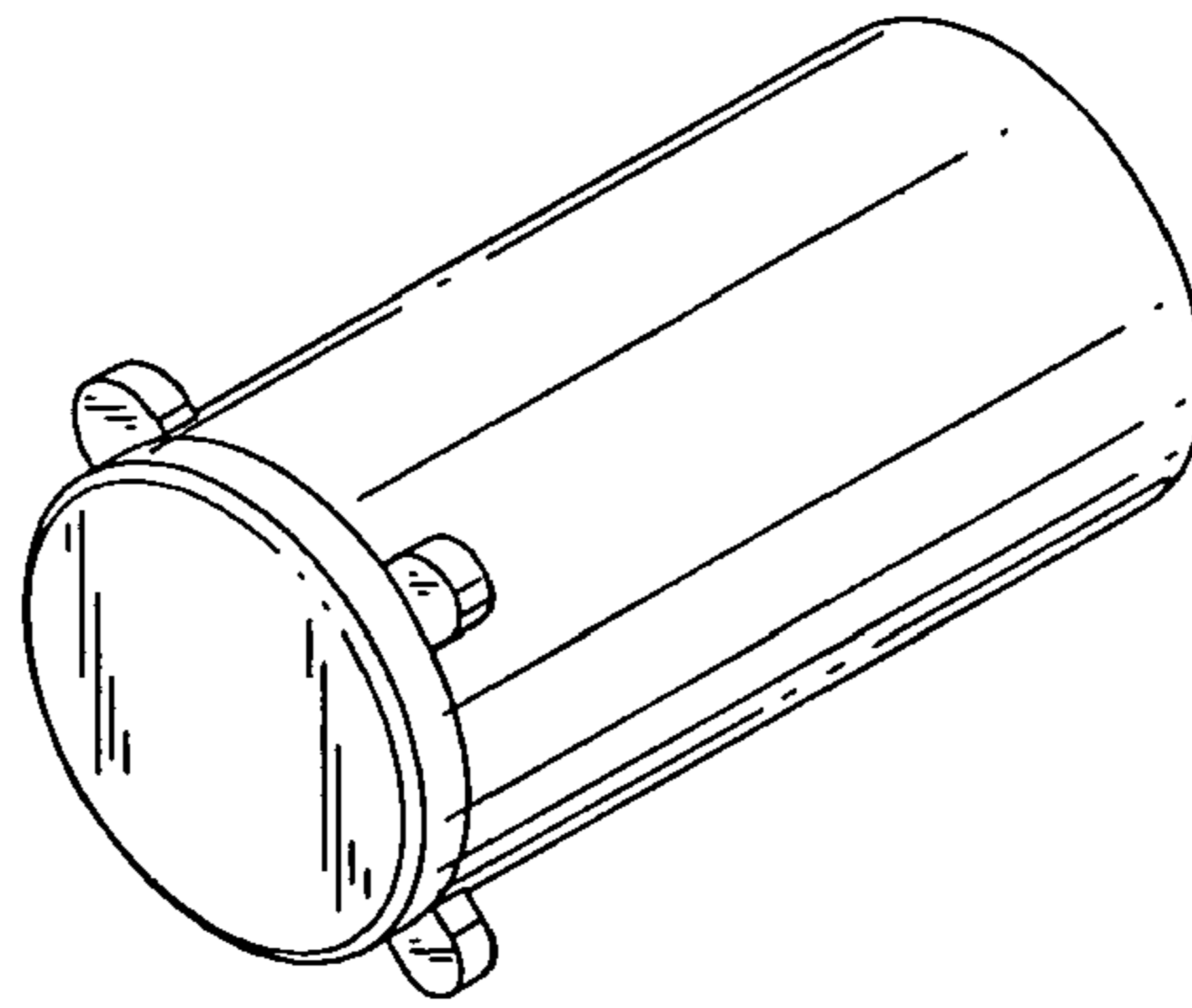


FIG. 2

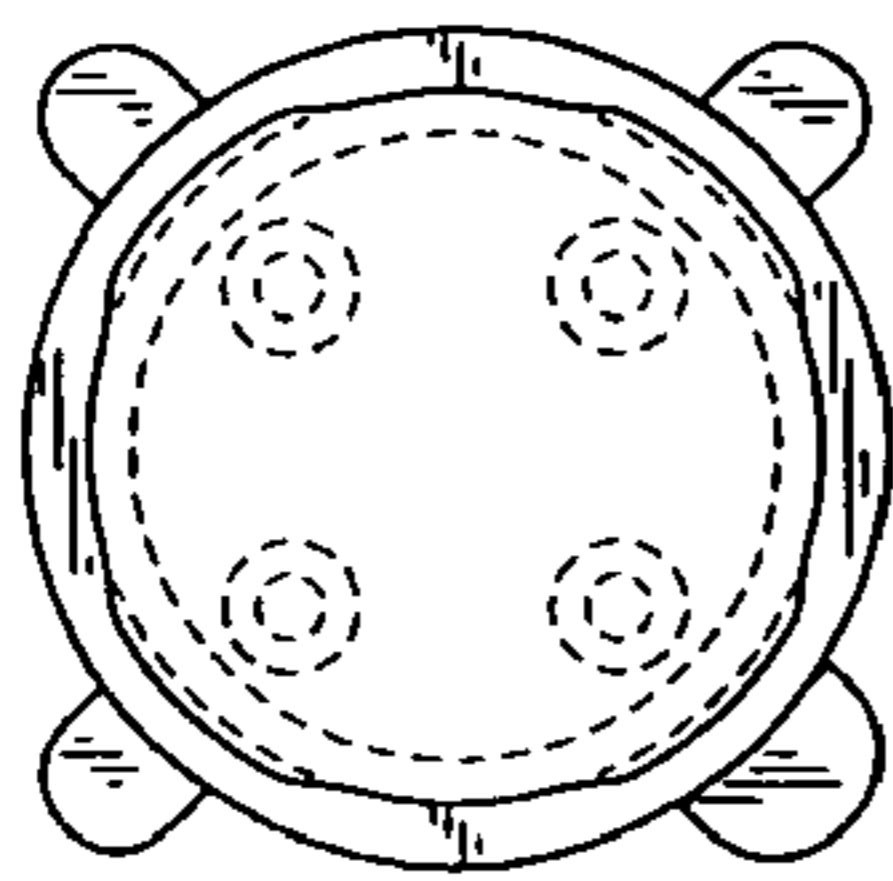


FIG. 3

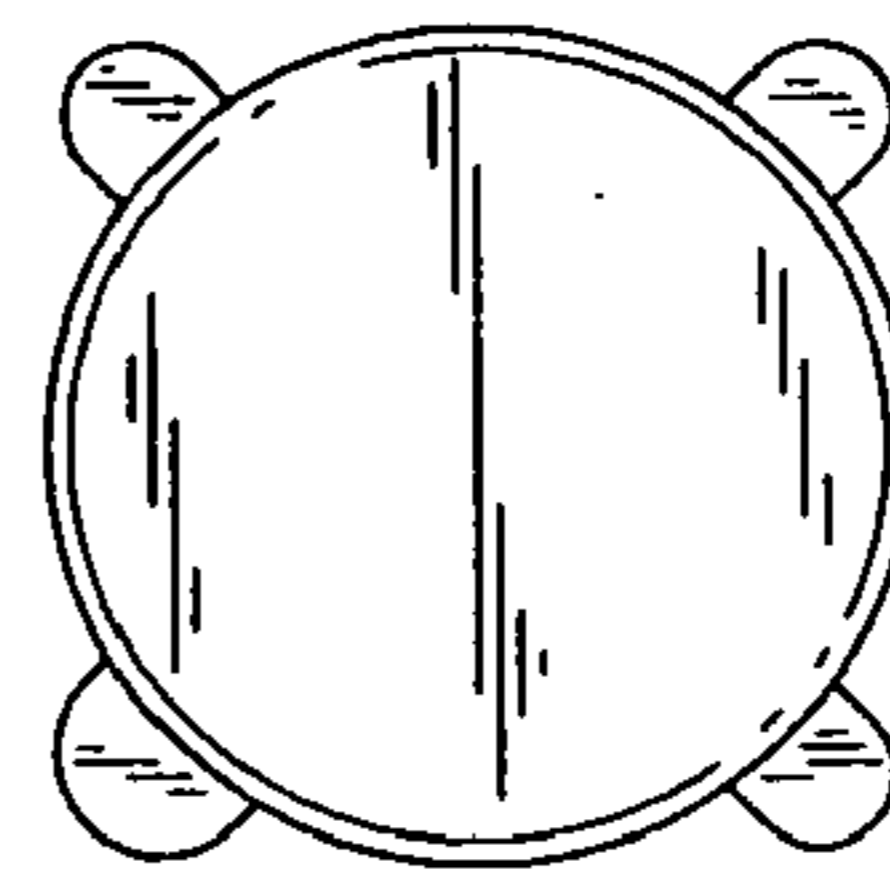


FIG. 4

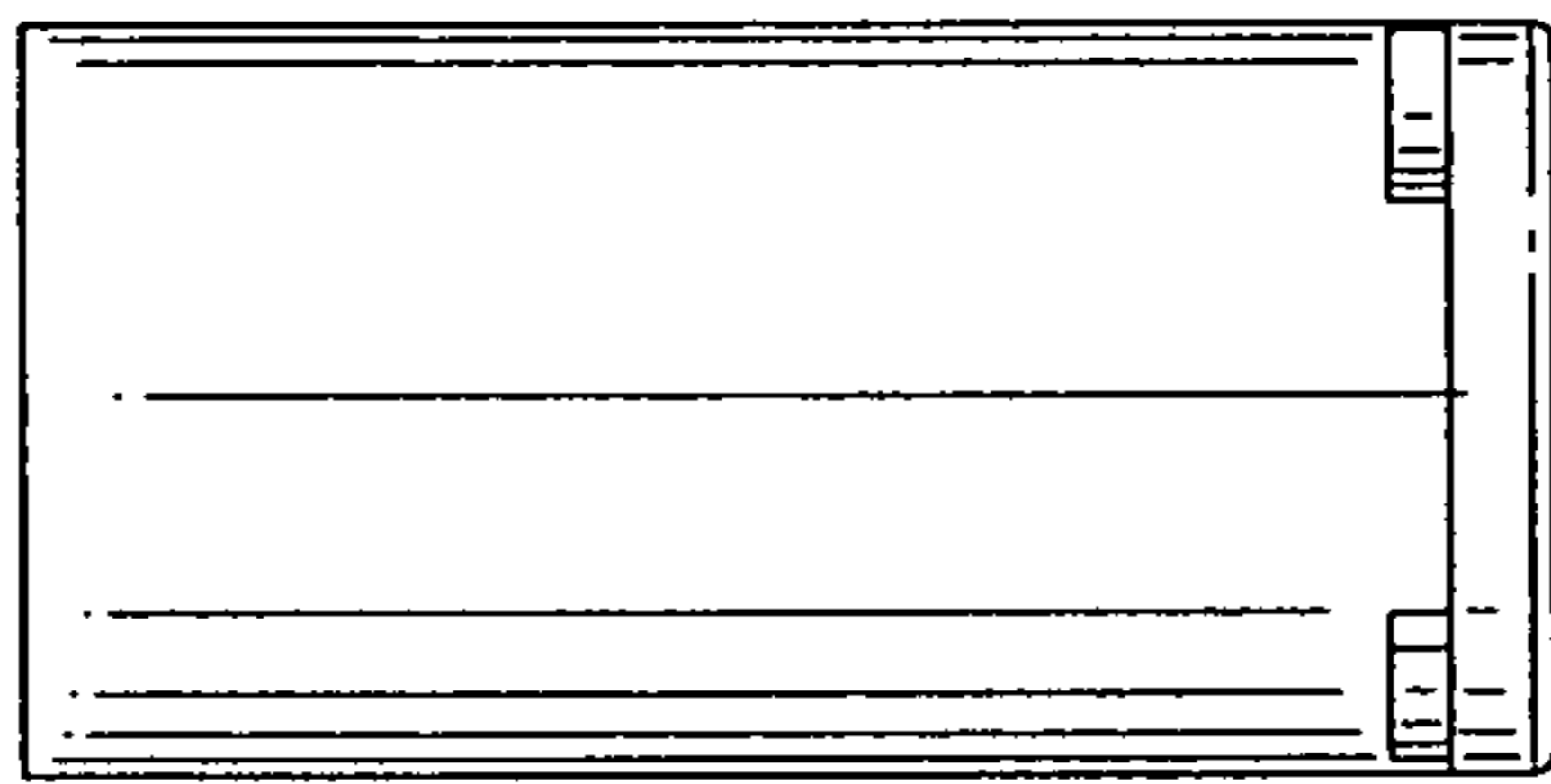


FIG. 5

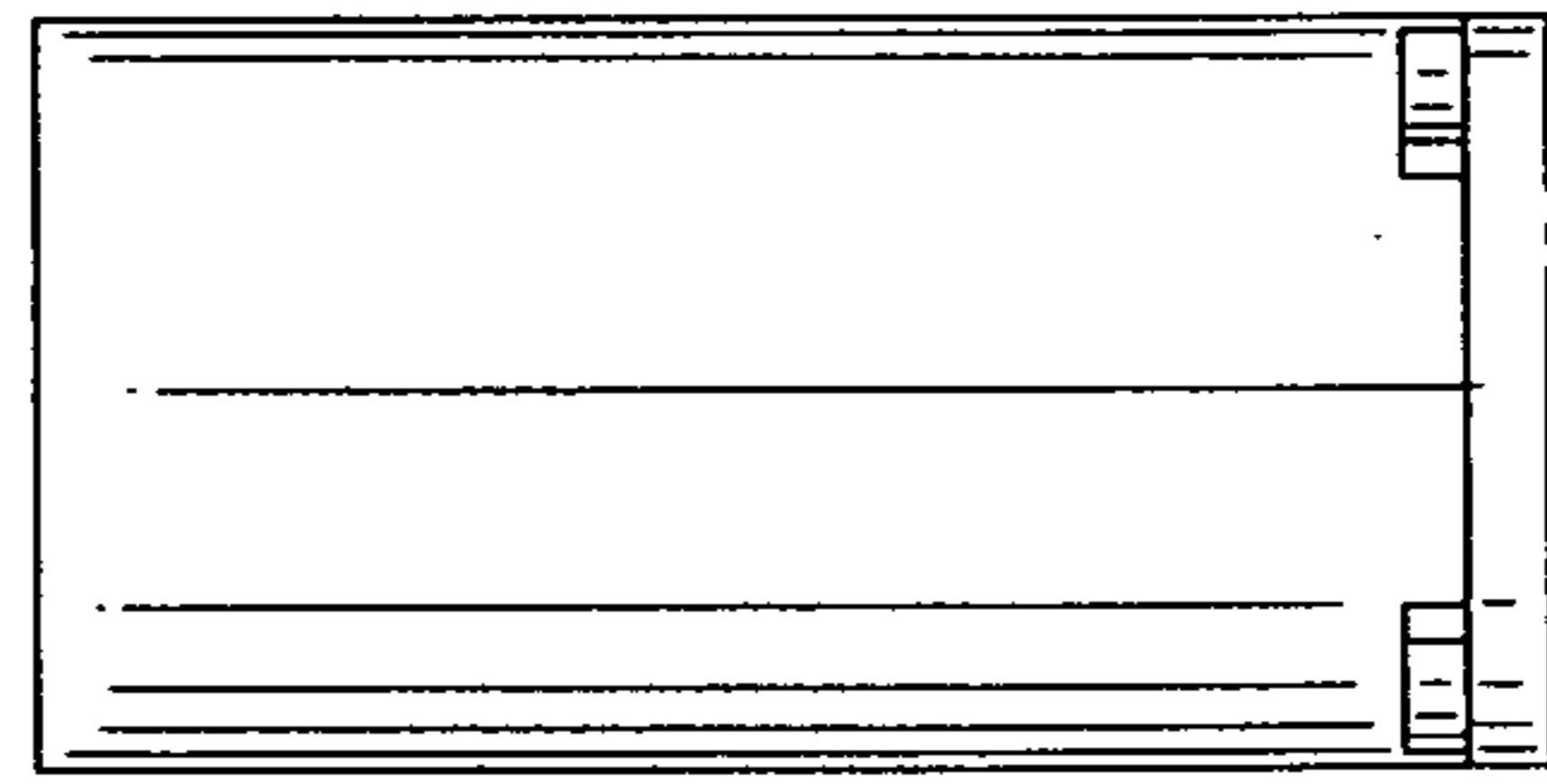


FIG. 6

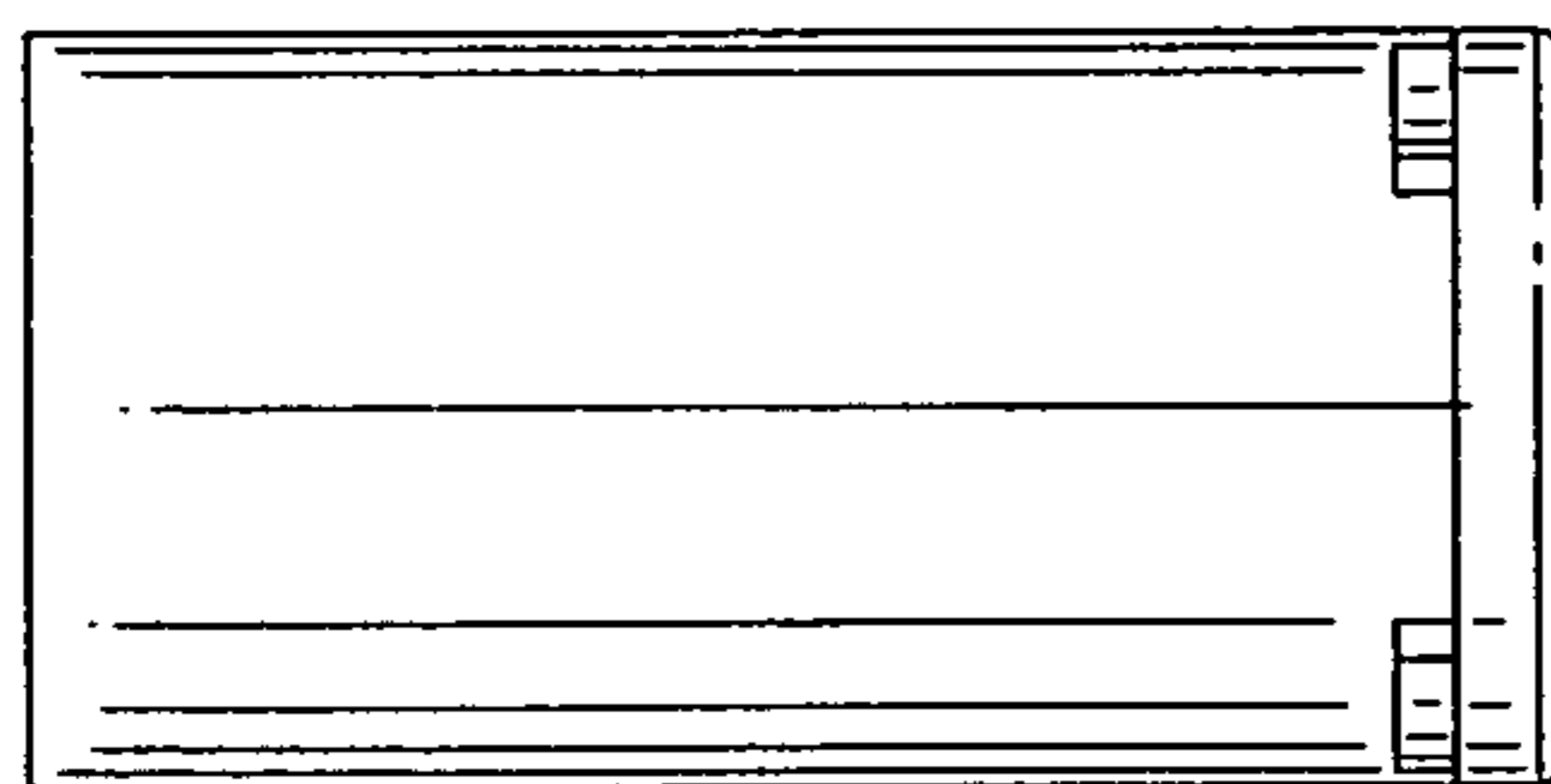


FIG. 7

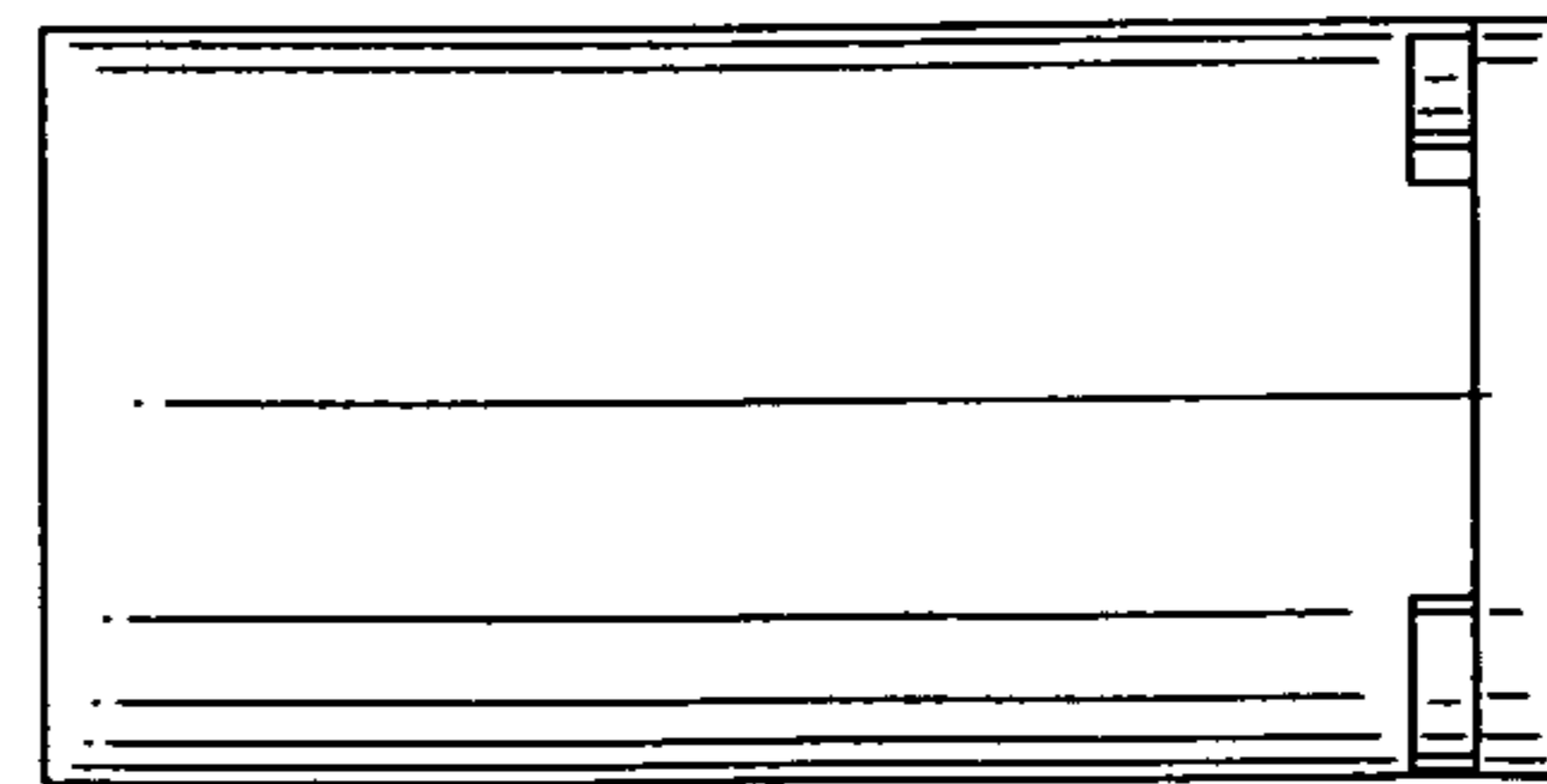


FIG. 8