



US00D552034S

(12) **United States Design Patent**
Hobson et al.

(10) **Patent No.:** **US D552,034 S**

(45) **Date of Patent:** **** Oct. 2, 2007**

(54) **POWER FIXTURE**

(75) Inventors: **Phil Hobson**, Menlo Park, CA (US);
Richard P. Howarth, San Francisco,
CA (US); **Wey-Jiun Lin**, Los Altos
Hills, CA (US)

(73) Assignee: **Apple Inc.**, Cupertino, CA (US)

(**) Term: **14 Years**

(21) Appl. No.: **29/254,819**

(22) Filed: **Feb. 27, 2006**

(51) **LOC (8) Cl.** **13-03**

(52) **U.S. Cl.** **D13/133**

(58) **Field of Classification Search** D13/133,
D13/137.1, 138.1, 139.1, 146, 154, 184;
439/43, 95, 92-93, 172, 252, 247-248, 271-272,
439/527, 529, 378, 538, 569, 680
See application file for complete search history.

(56) **References Cited**

U.S. PATENT DOCUMENTS

4,449,776	A *	5/1984	Carmo et al.	439/350
D286,397	S *	10/1986	Challans	D13/133
D350,955	S *	9/1994	Pucci et al.	D13/146
D360,872	S *	8/1995	Wilson	D13/133
D388,765	S *	1/1998	Pitcher	D13/133
D394,242	S *	5/1998	Park	D13/146
D436,345	S *	1/2001	Lentine	D13/137.2
D446,186	S *	8/2001	Corona	D13/133
D478,310	S	8/2003	Andre et al.	
D479,823	S	9/2003	Andre et al.	
D503,679	S	4/2005	Andre et al.	
D519,922	S	5/2006	Andre et al.	
7,165,995	B2 *	1/2007	Fukushima et al.	439/607

OTHER PUBLICATIONS

U.S. Appl. No. 29/206,942, filed Jun. 4, 2004.
U.S. Appl. No. 29/240,183, filed Oct. 7, 2005.
U.S. Appl. No. 29/251,423, filed Jan. 5, 2006.

* cited by examiner

Primary Examiner—Daniel Bui
(74) *Attorney, Agent, or Firm*—Beyer Weaver LLP

(57) **CLAIM**

The ornamental design for a power fixture, substantially as shown and described.

DESCRIPTION

FIG. 1 is a top, front and left side perspective view of the first embodiment of a power fixture, showing our new design;

FIG. 2 is a front view thereof;

FIG. 3 is a rear view thereof;

FIG. 4 is a top view thereof;

FIG. 5 is a bottom view thereof;

FIG. 6 is a left side view thereof;

FIG. 7 is a right side view thereof;

FIG. 8 is a top, front and left side perspective view of the second embodiment of a power fixture, showing our new design;

FIG. 9 is a front view thereof;

FIG. 10 is a rear view thereof;

FIG. 11 is a top view thereof;

FIG. 12 is a bottom view thereof;

FIG. 13 is a left side view thereof;

FIG. 14 is a right side view thereof;

FIG. 15 is a top, front and left side perspective view of the third embodiment of a power fixture, showing our new design;

FIG. 16 is a front view thereof;

FIG. 17 is a rear view thereof;

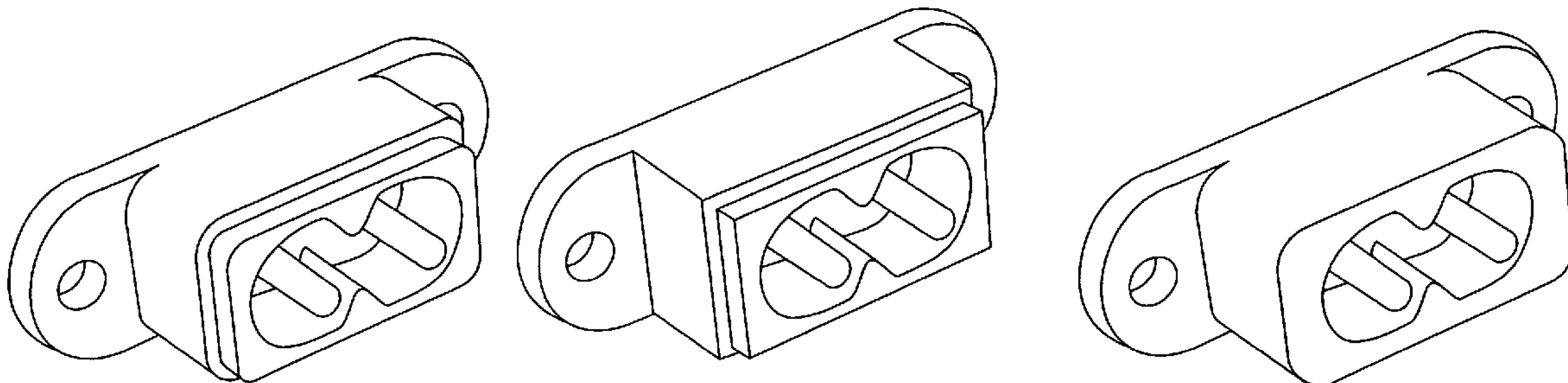
FIG. 18 is a top view thereof;

FIG. 19 is a bottom view thereof;

FIG. 20 is a left side view thereof; and,

FIG. 21 is a right side view thereof.

1 Claim, 6 Drawing Sheets



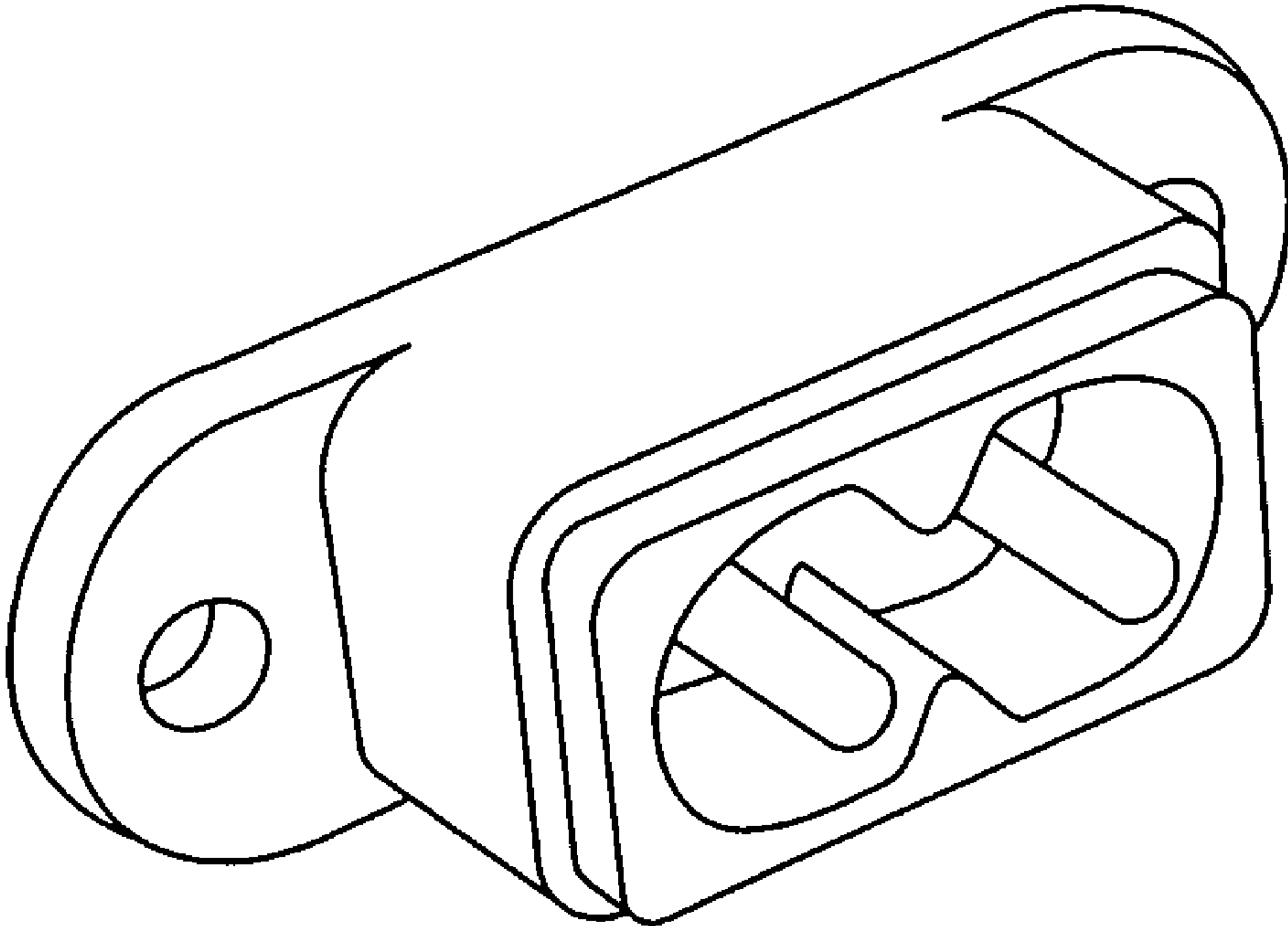


FIG. 1

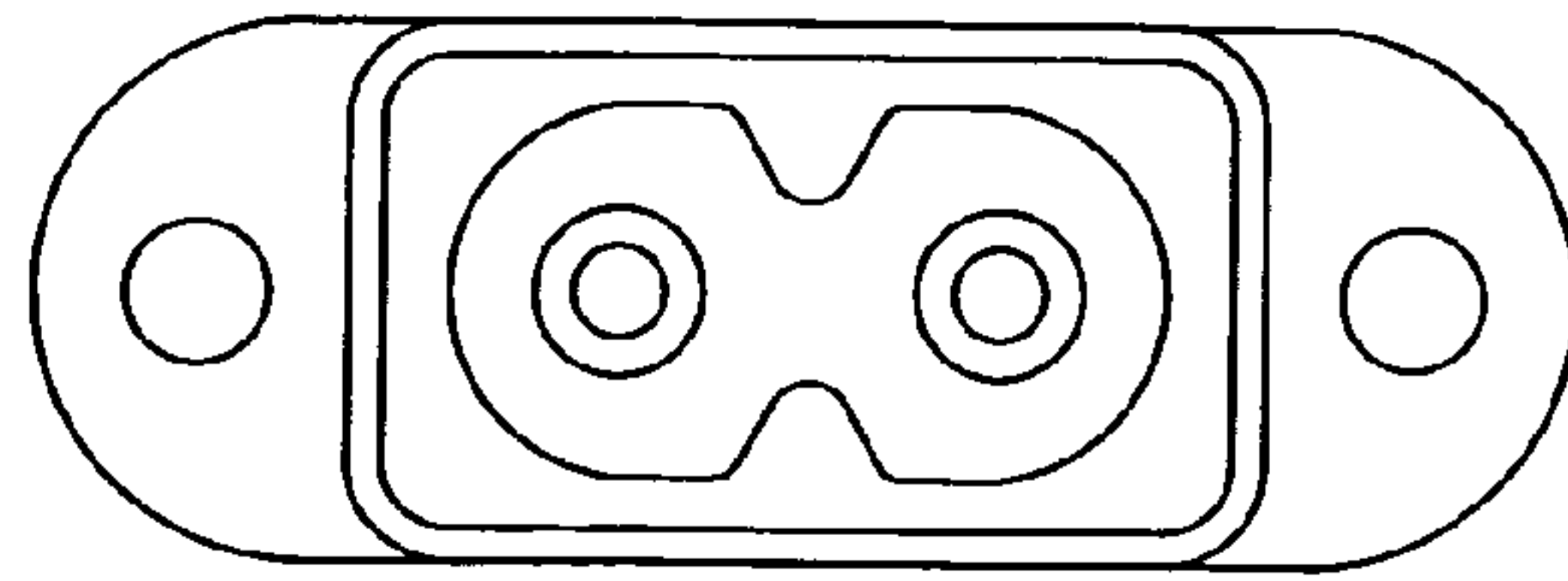


FIG. 2

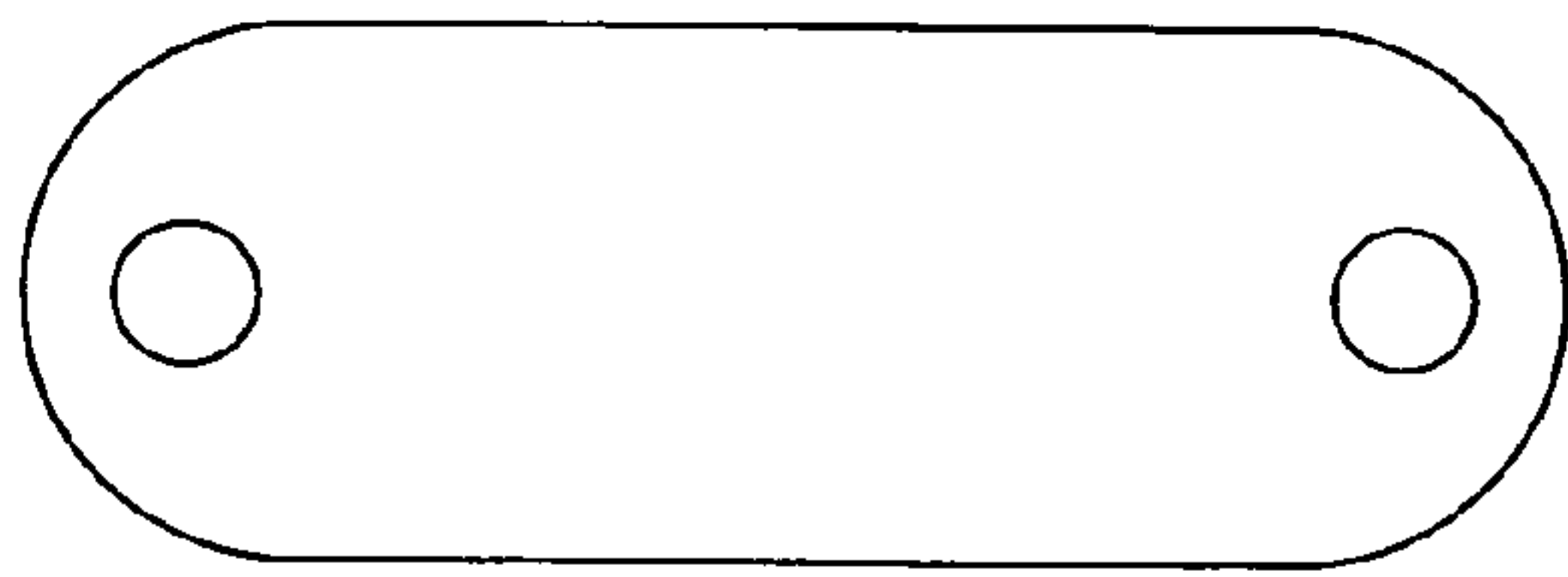


FIG. 3

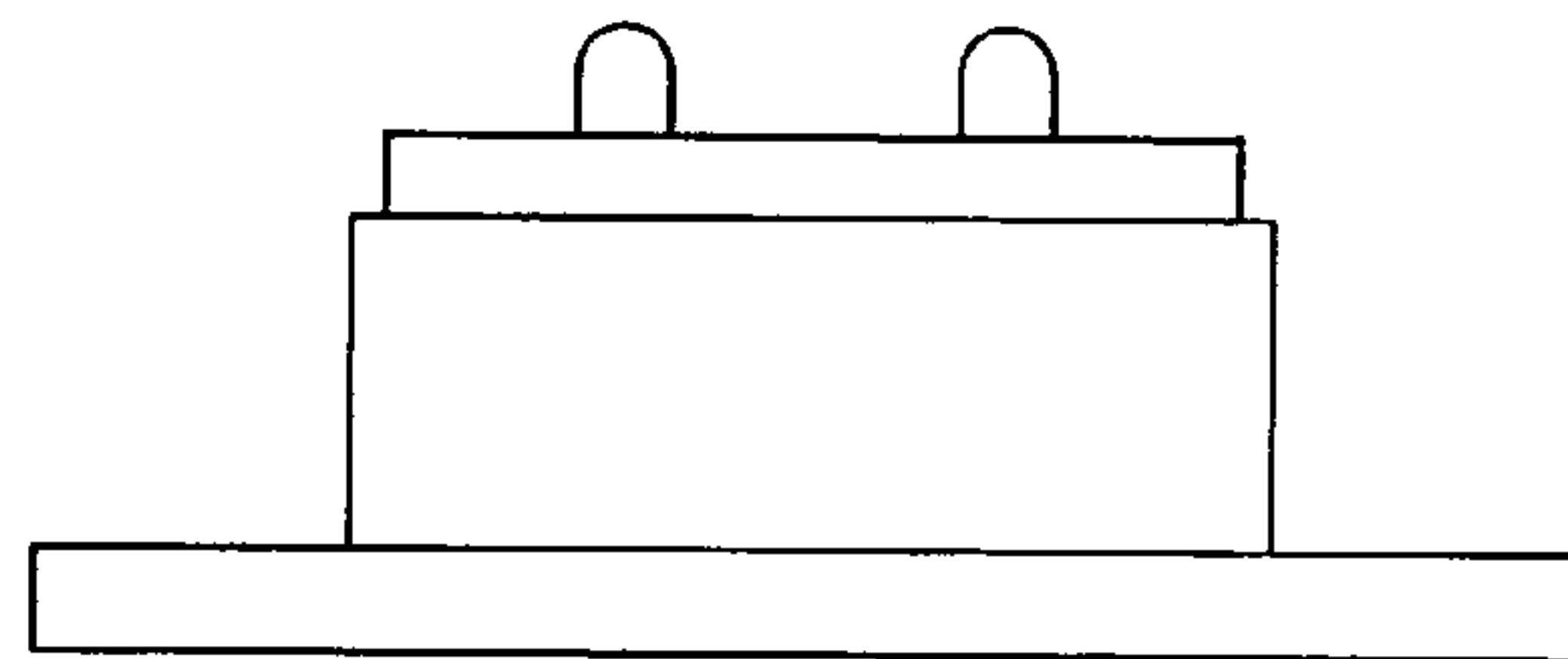


FIG. 4

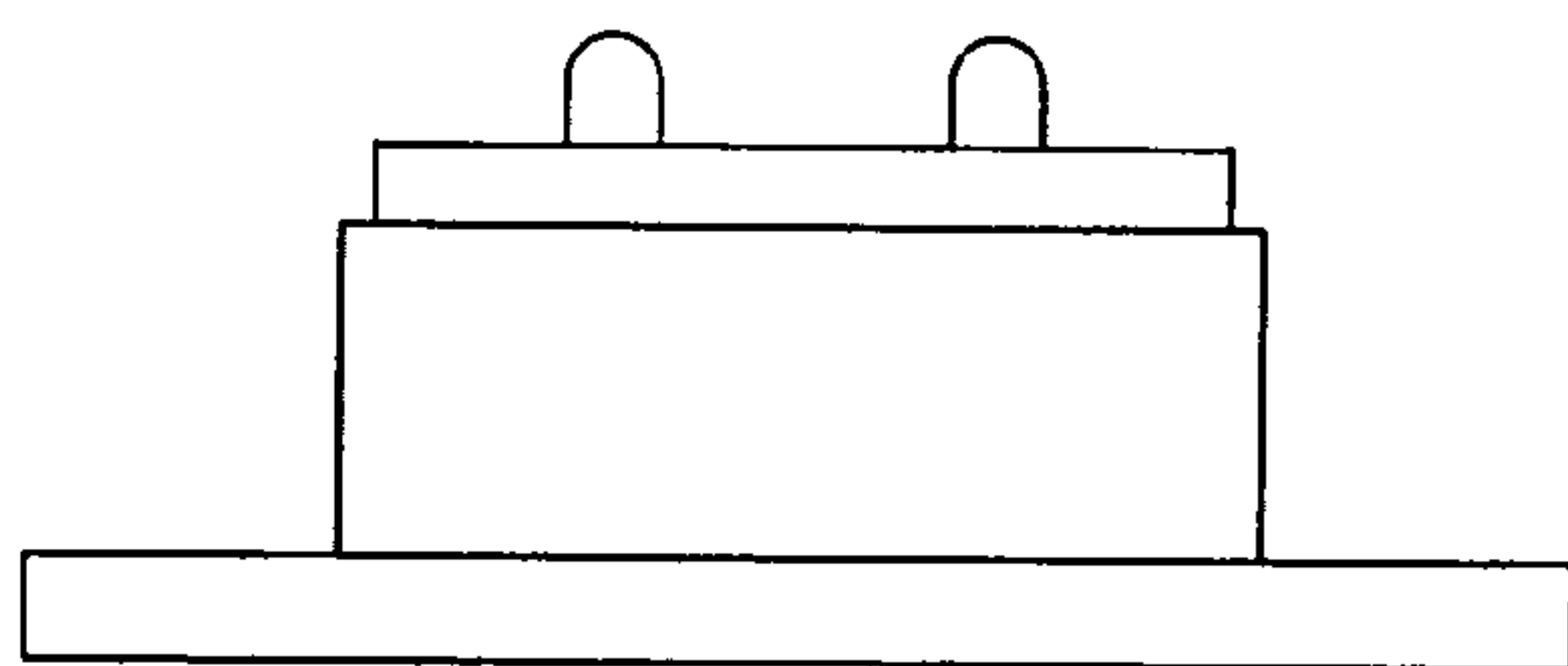


FIG. 5

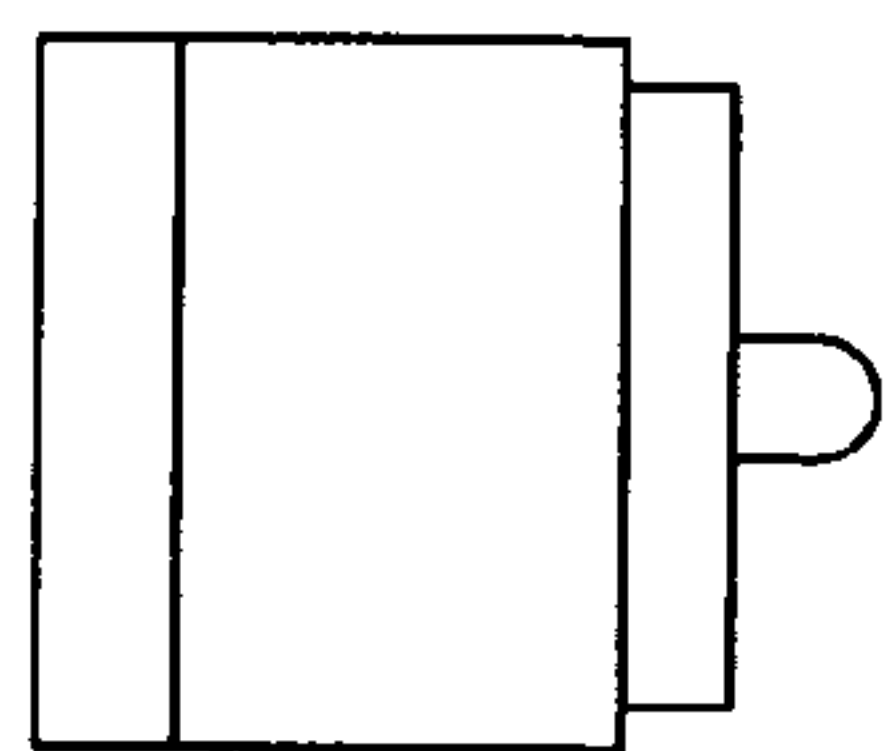


FIG. 6

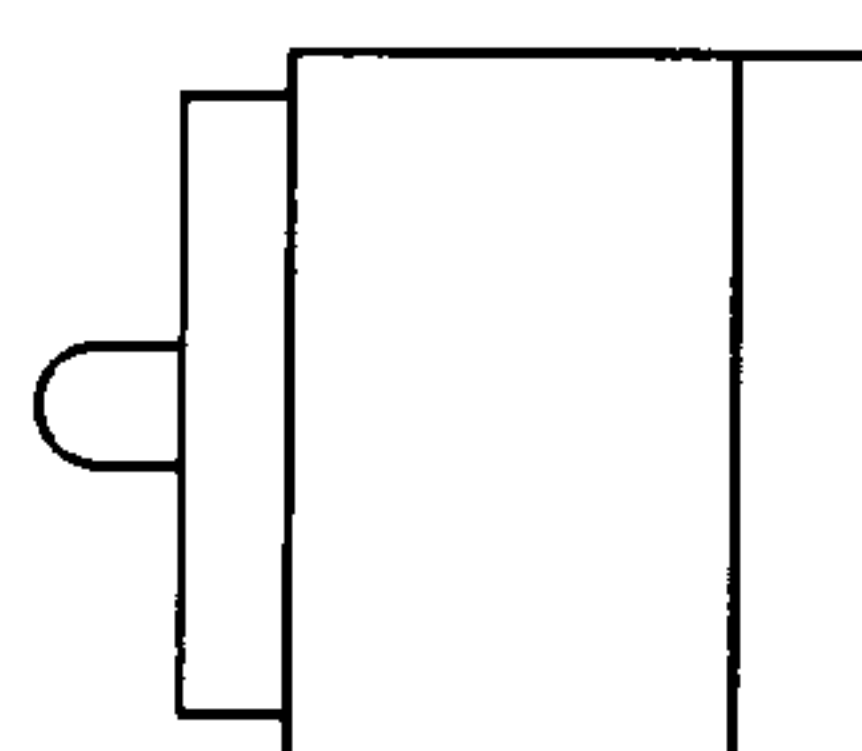


FIG. 7

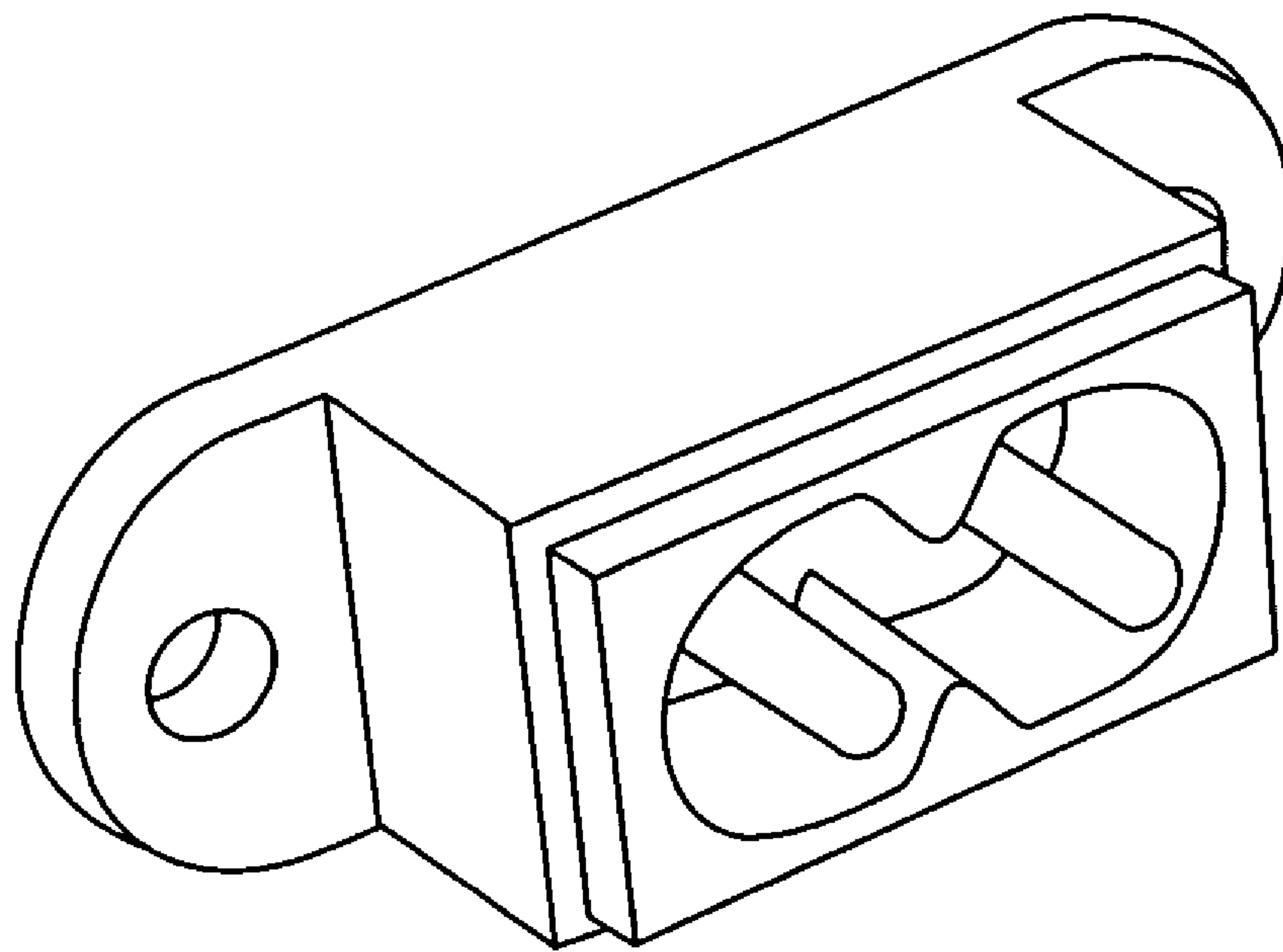


FIG. 8

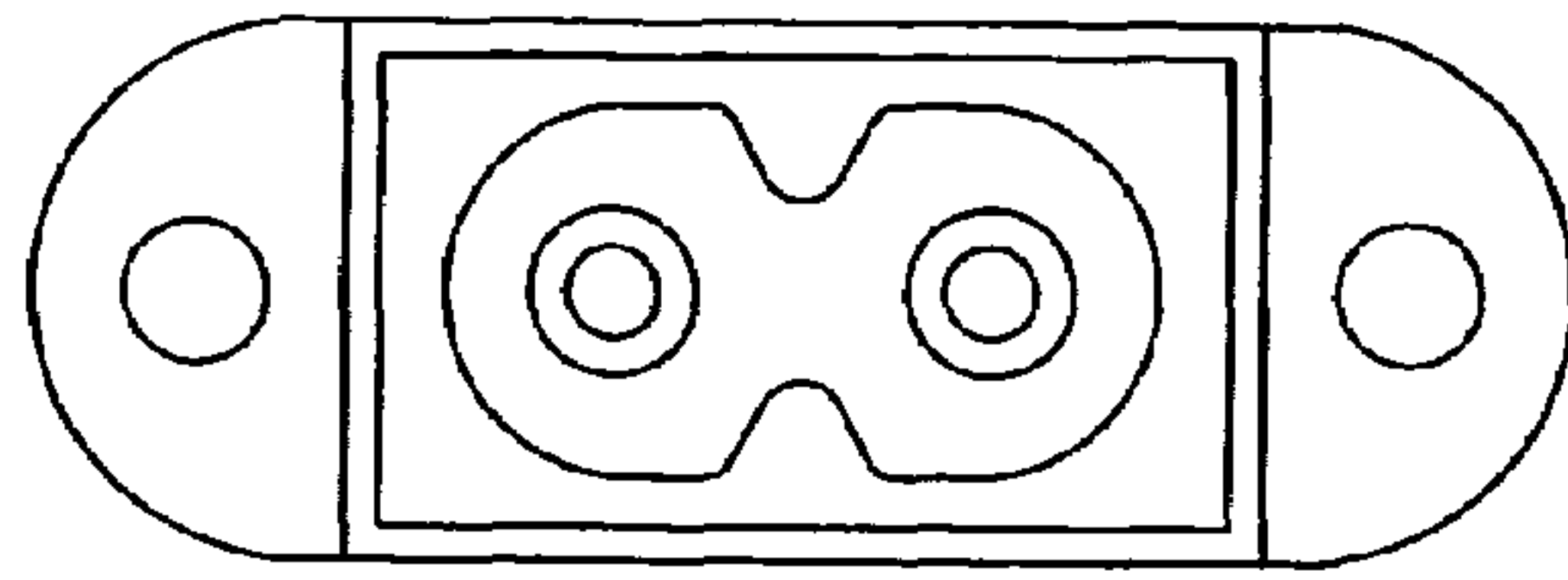


FIG. 9

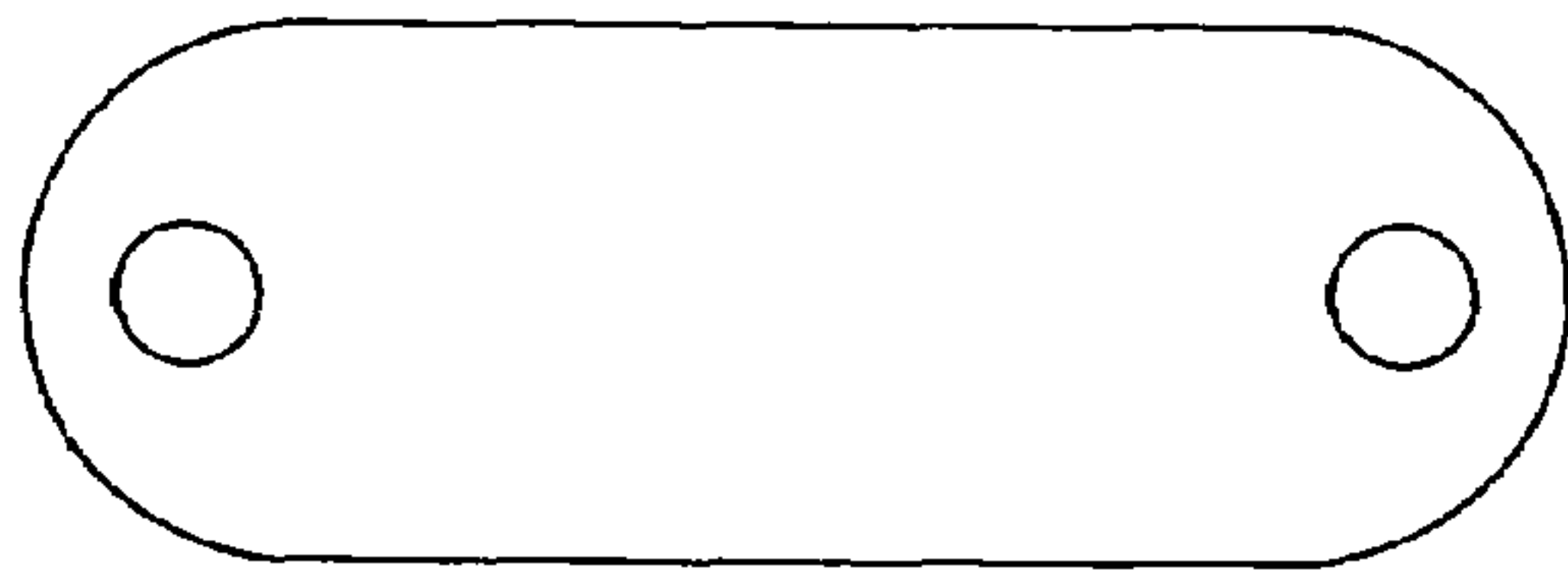


FIG. 10

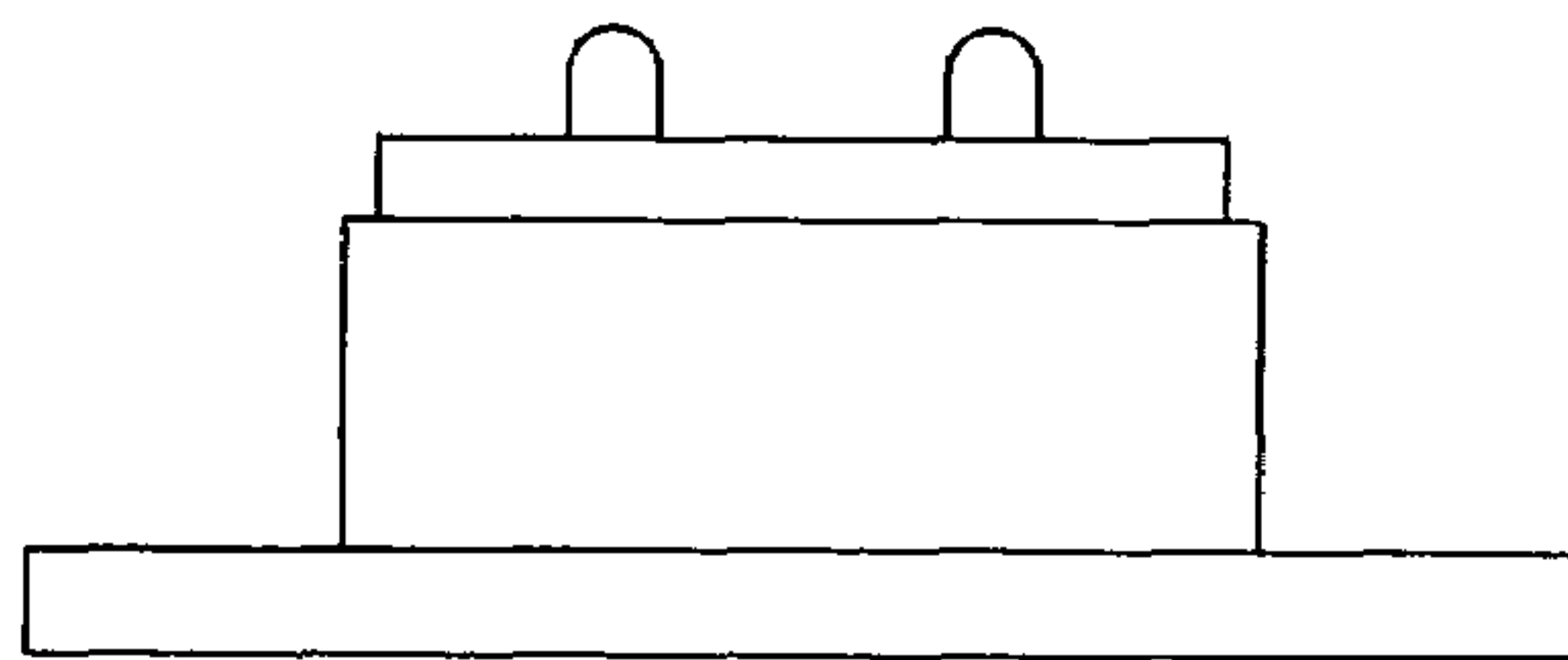


FIG. 11

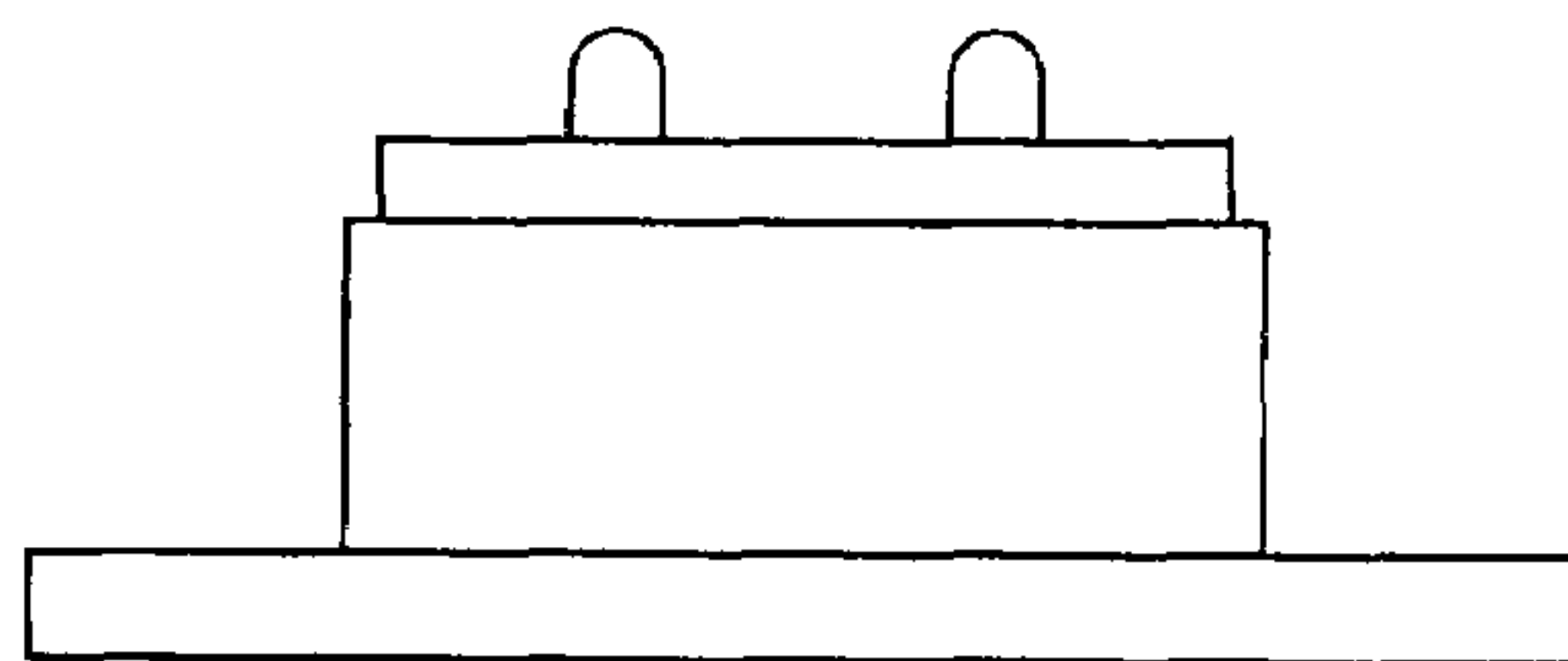


FIG. 12

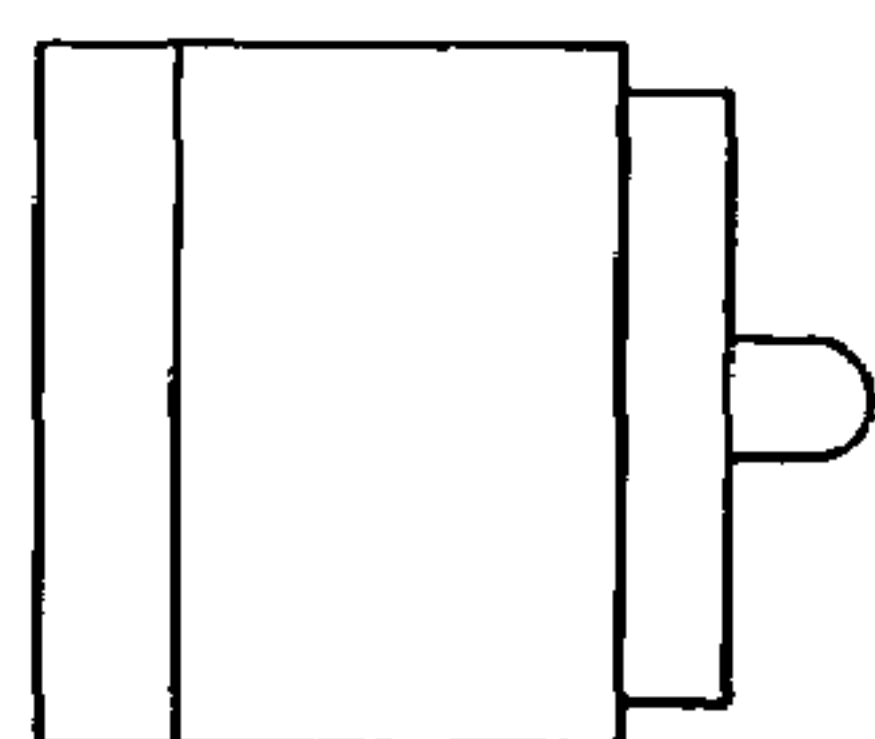


FIG. 13

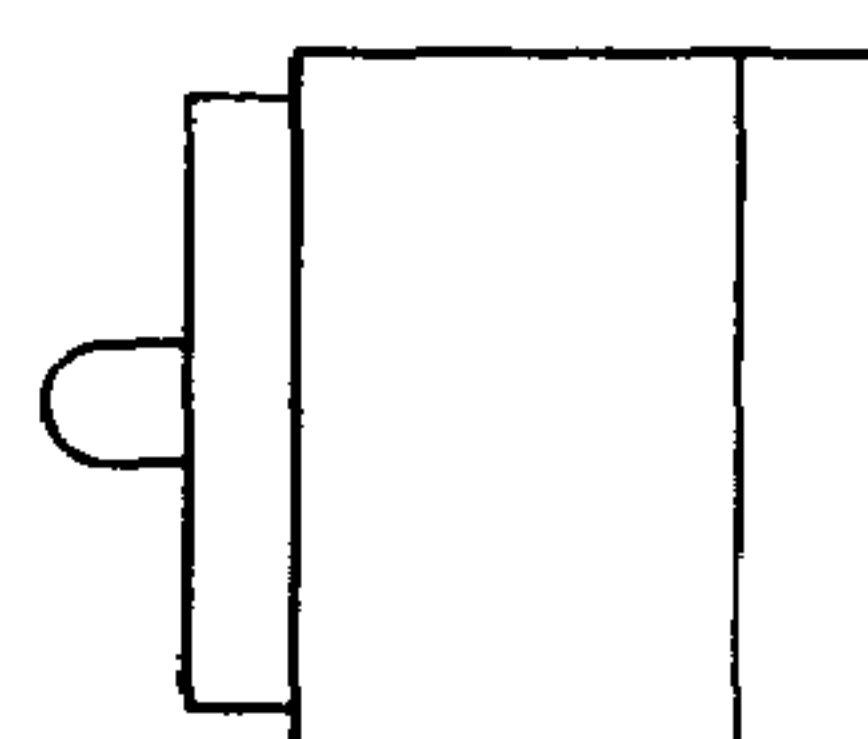


FIG. 14

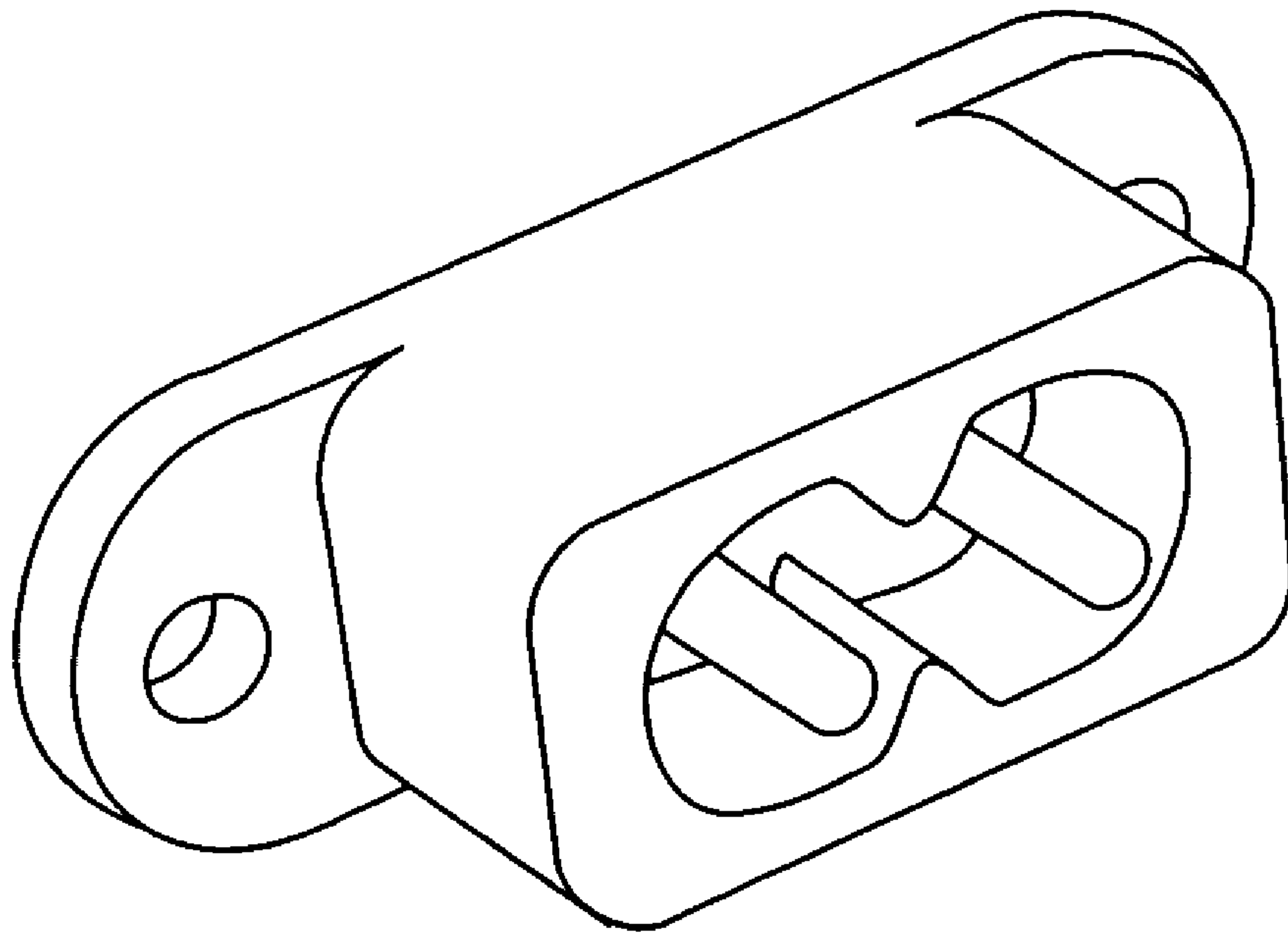


FIG. 15

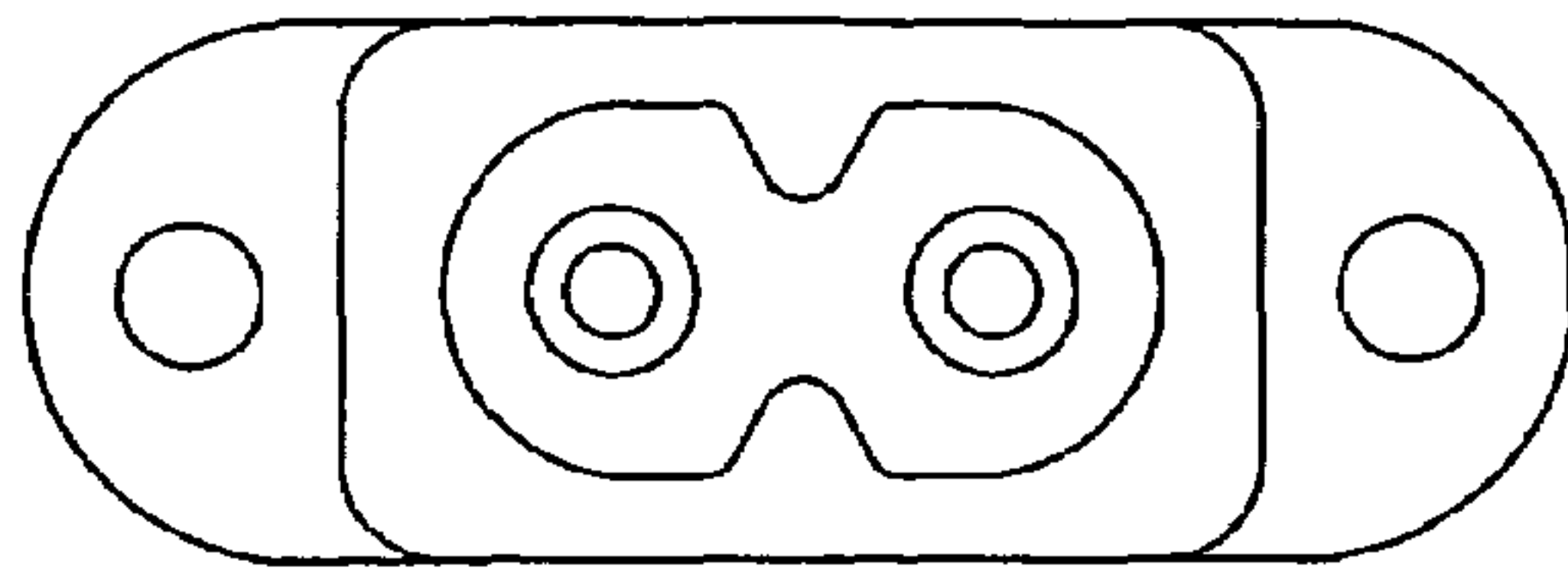


FIG. 16

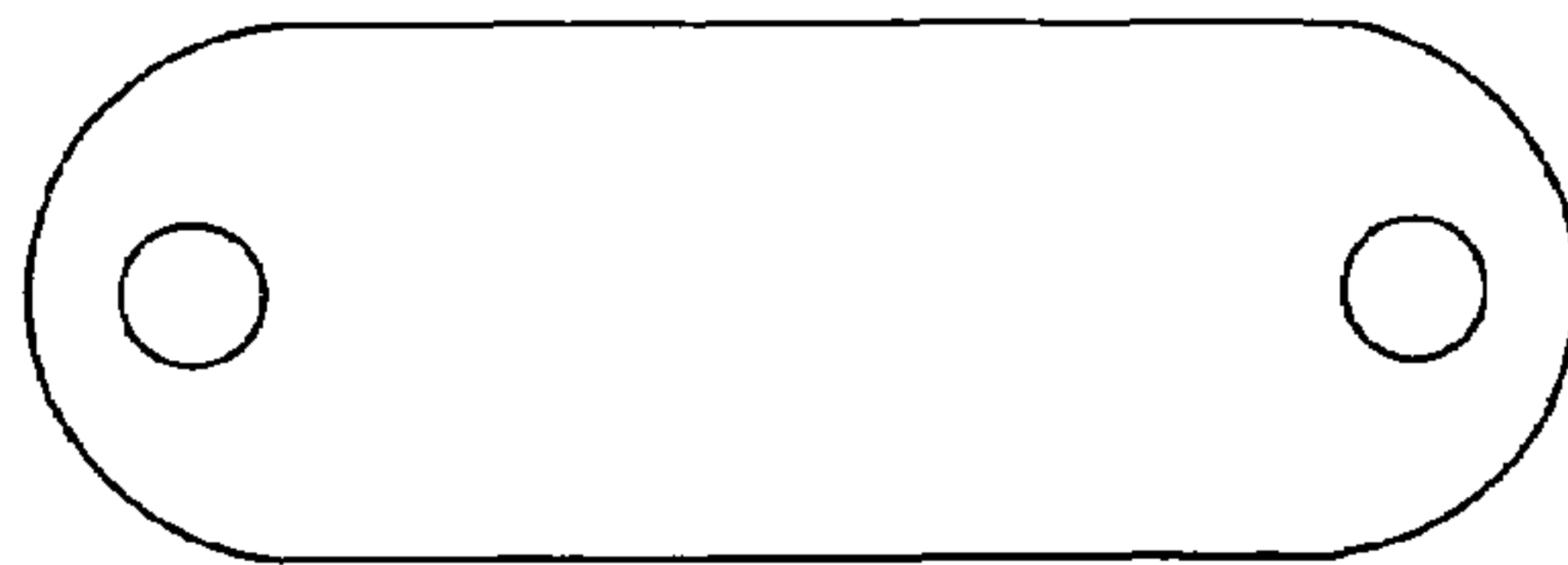


FIG. 17

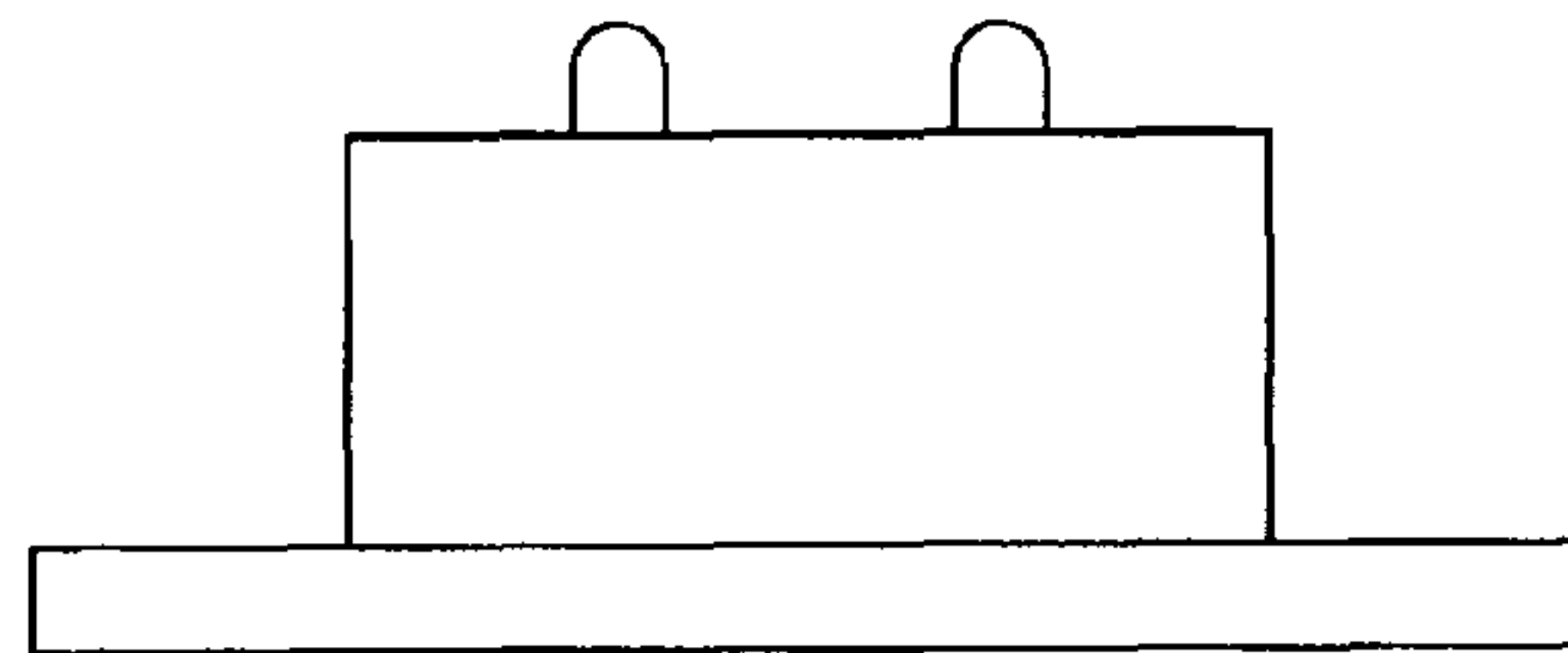


FIG. 18

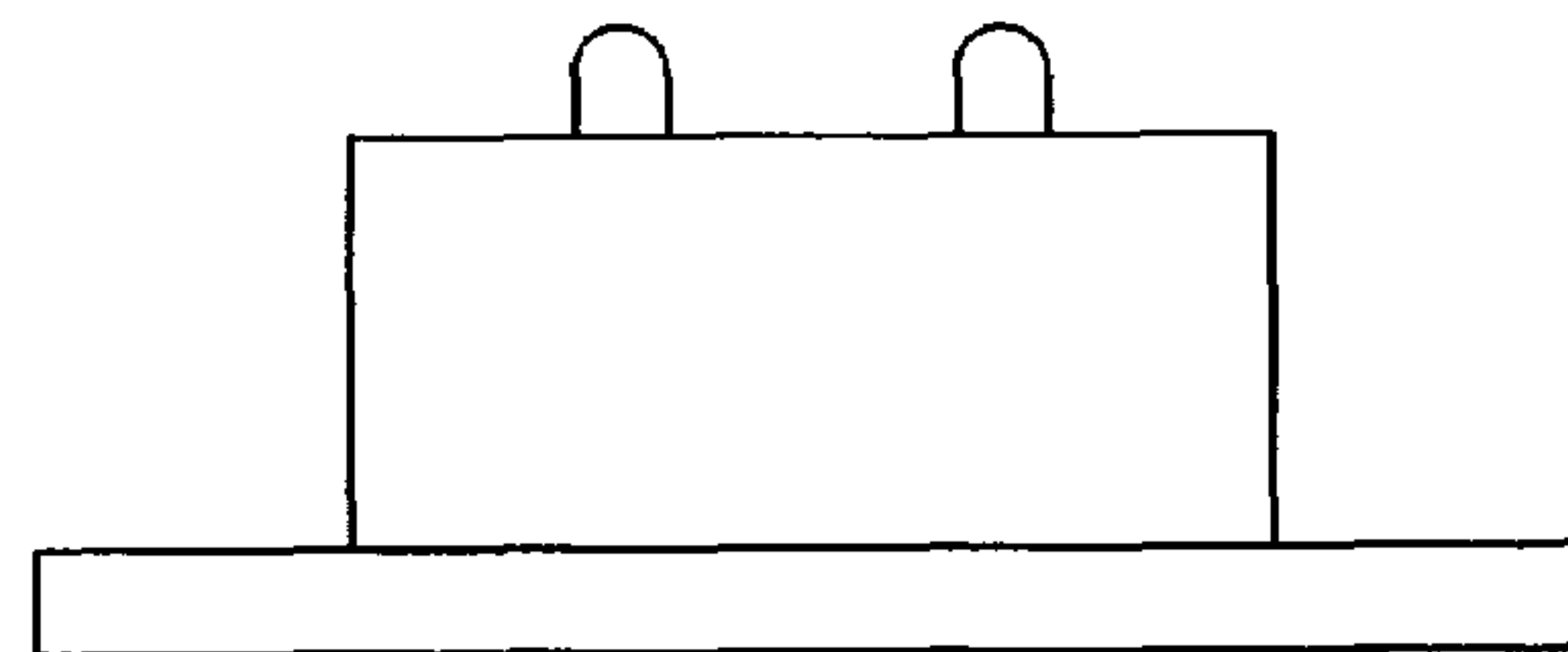


FIG. 19

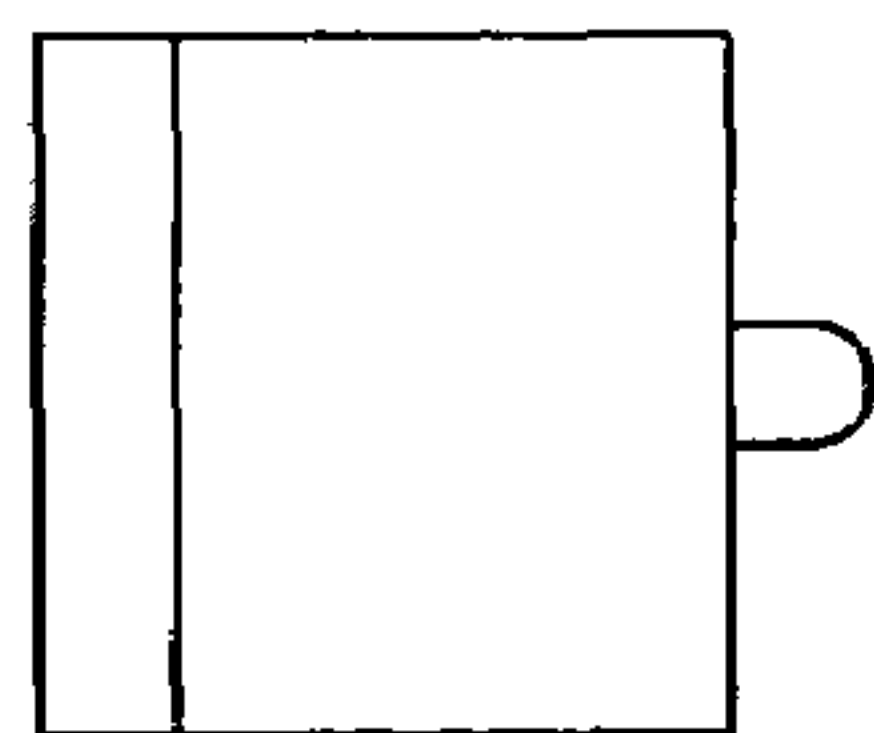


FIG. 20

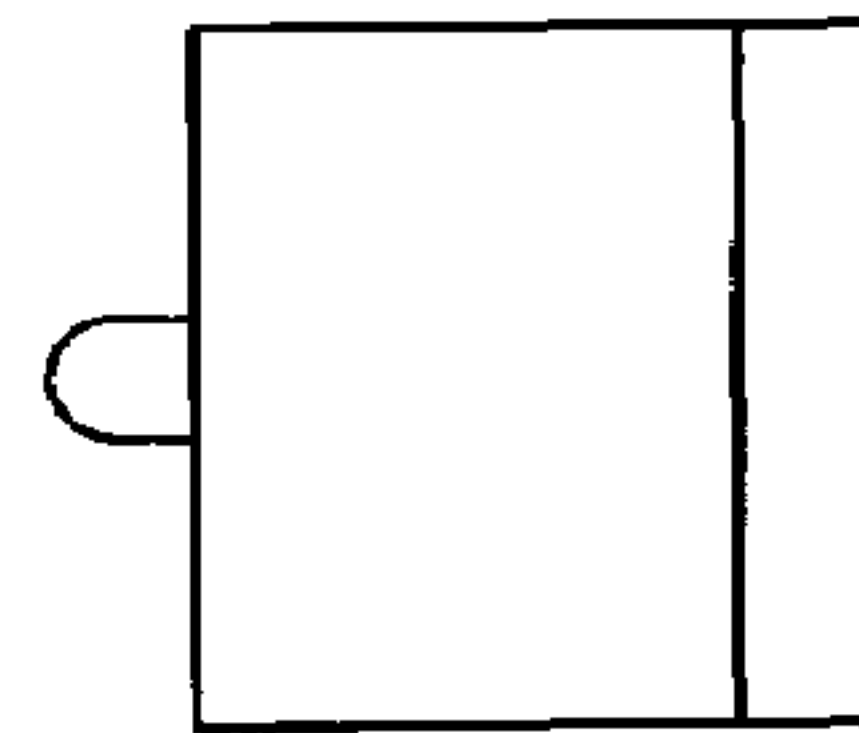


FIG. 21