



US00D552032S

(12) **United States Design Patent**
Peng

(10) **Patent No.:** **US D552,032 S**

(45) **Date of Patent:** **** Oct. 2, 2007**

(54) **AUDIO JACK**

(75) **Inventor:** **Yung-Chi Peng**, Tu-Cheng (TW)

(73) **Assignee:** **Cheng Uei Precision Industry Co., Ltd.**, Taipei Hsien (TW)

(**) **Term:** **14 Years**

(21) **Appl. No.:** **29/243,494**

(22) **Filed:** **Nov. 25, 2005**

(51) **LOC (8) Cl.** **13-03**

(52) **U.S. Cl.** **D13/133**

(58) **Field of Classification Search** D13/133,
D13/146-147, 154, 184, 199; 439/278, 607,
439/668-669, 894

See application file for complete search history.

(56) **References Cited**

U.S. PATENT DOCUMENTS

D345,546 S *	3/1994	Lin et al.	D13/133
D459,303 S *	6/2002	Florescu	D13/133
D470,107 S *	2/2003	Li et al.	D13/133
D507,531 S *	7/2005	Suzuki	D13/133
D523,401 S *	6/2006	Wang	D13/154

D533,504 S * 12/2006 Lee D13/133

D533,835 S * 12/2006 Lee D13/133

D534,494 S * 1/2007 Li D13/133

D534,868 S * 1/2007 Lee D13/133

D535,622 S * 1/2007 Zhu et al. D13/133

* cited by examiner

Primary Examiner—Daniel Bui

(57) **CLAIM**

The ornamental design for an audio jack, as shown and described.

DESCRIPTION

FIG. 1 is a perspective view of an audio jack showing my new design;

FIG. 2 is a front elevational view thereof;

FIG. 3 is a rear elevational view thereof;

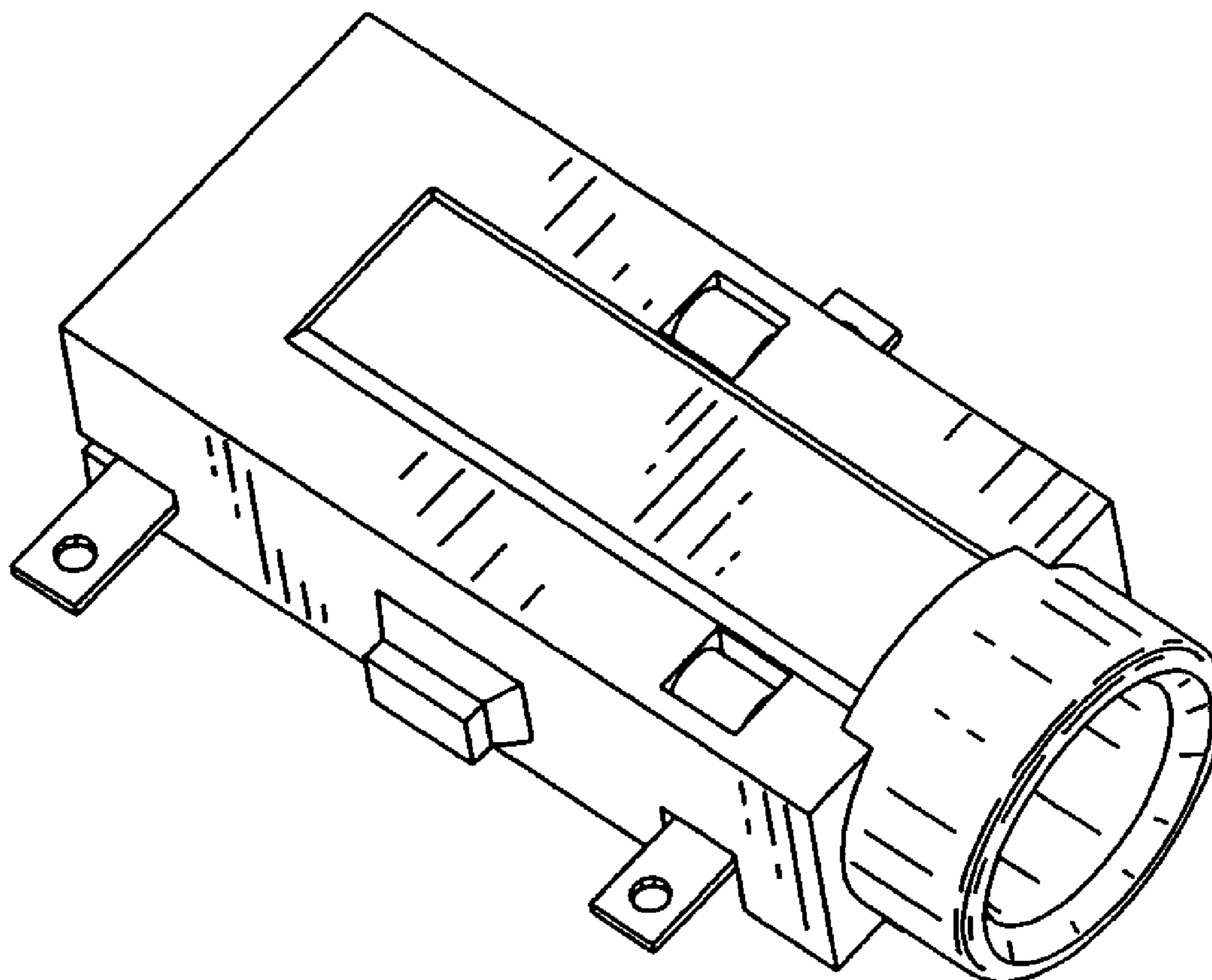
FIG. 4 is a left side elevational view thereof;

FIG. 5 is a right side elevational view thereof;

FIG. 6 is a top plan view thereof; and,

FIG. 7 is a bottom plan view thereof.

1 Claim, 7 Drawing Sheets



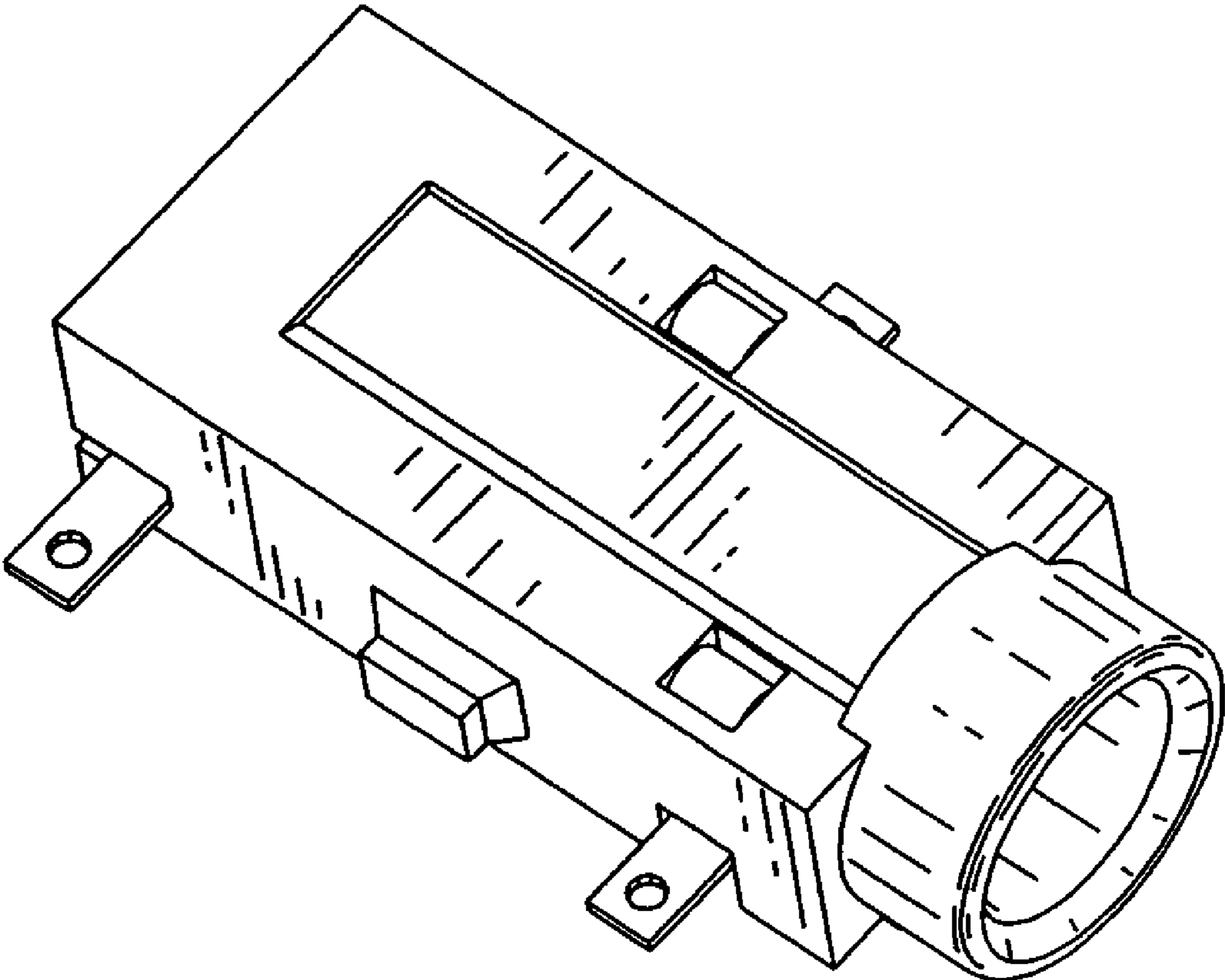


FIG. 1

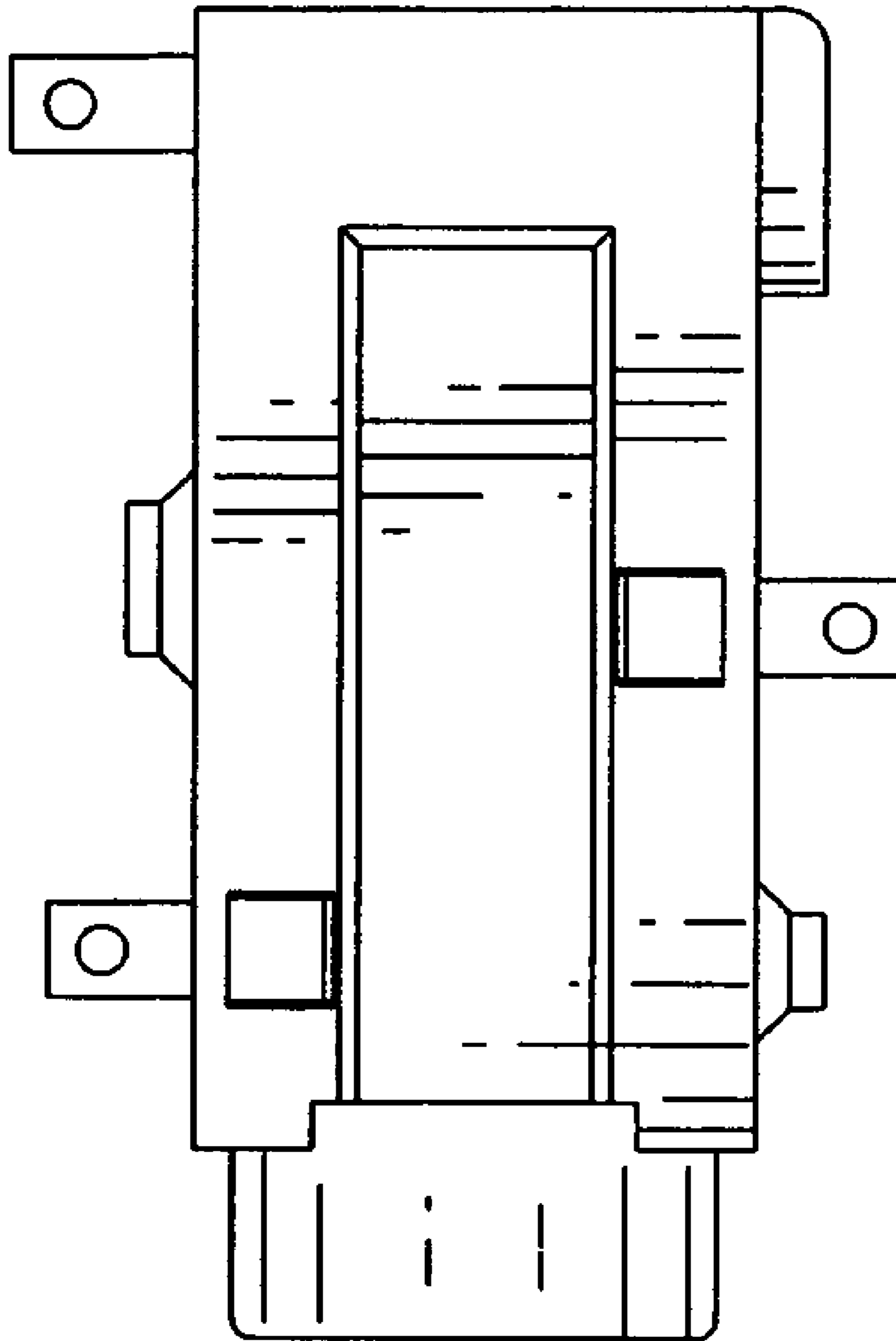


FIG. 2

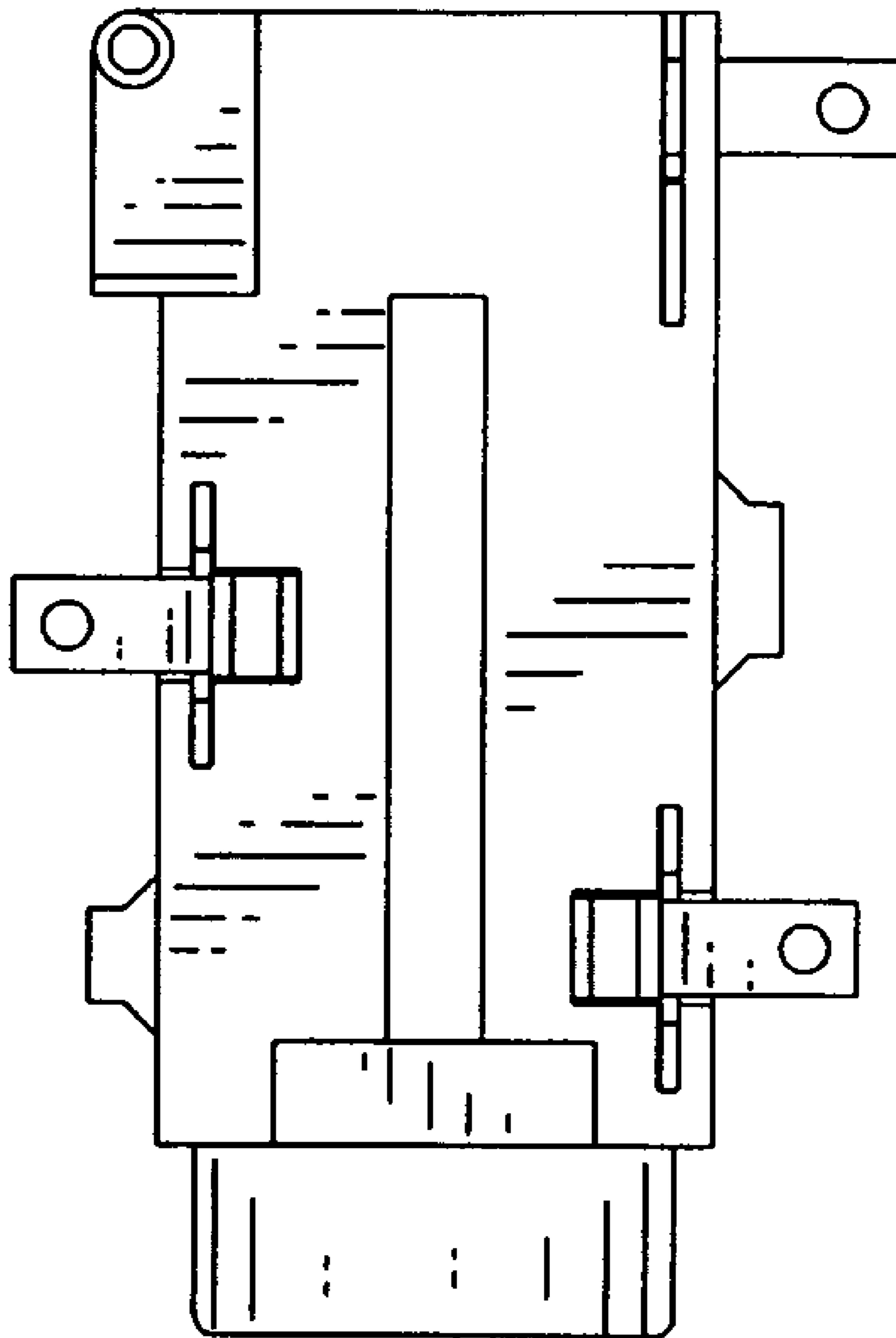


FIG. 3

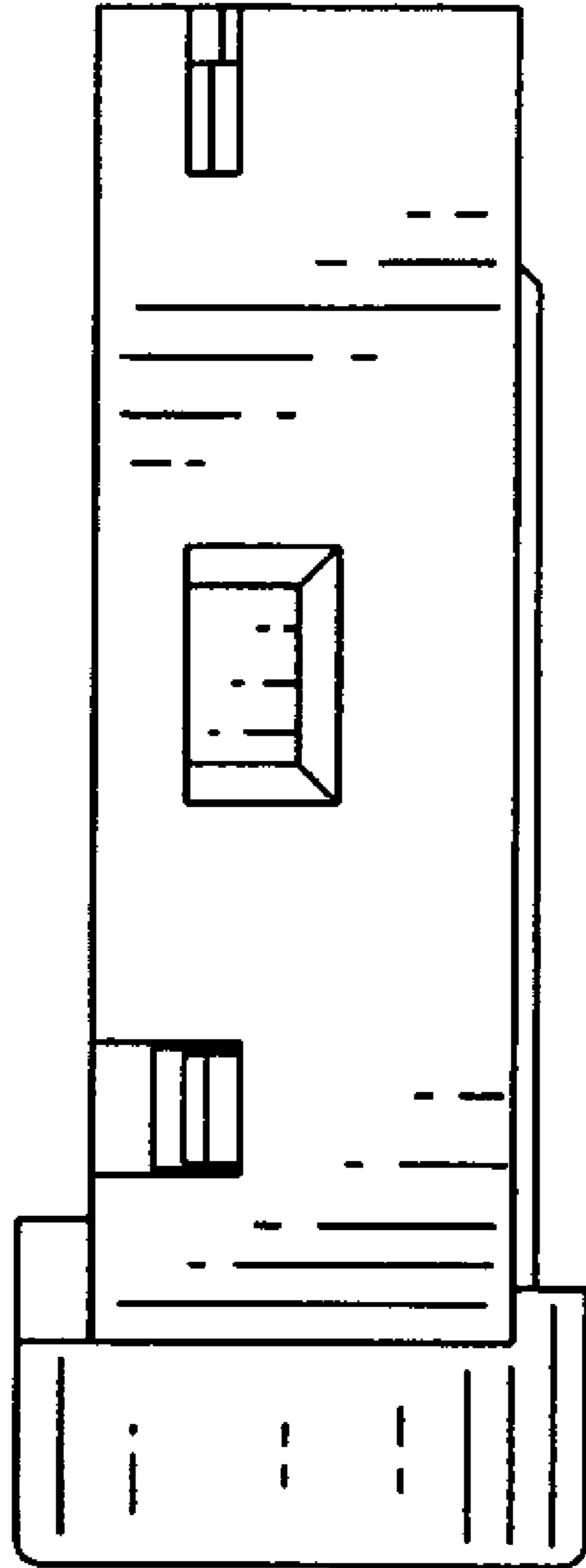


FIG. 4

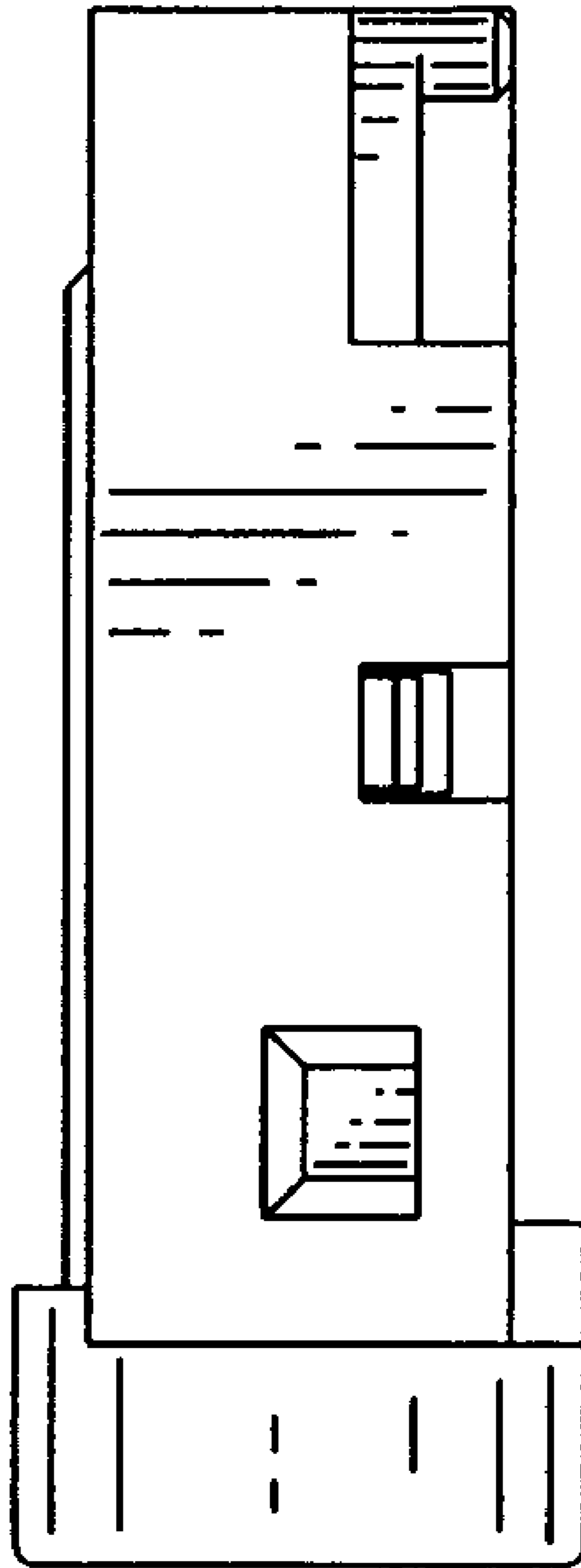


FIG. 5

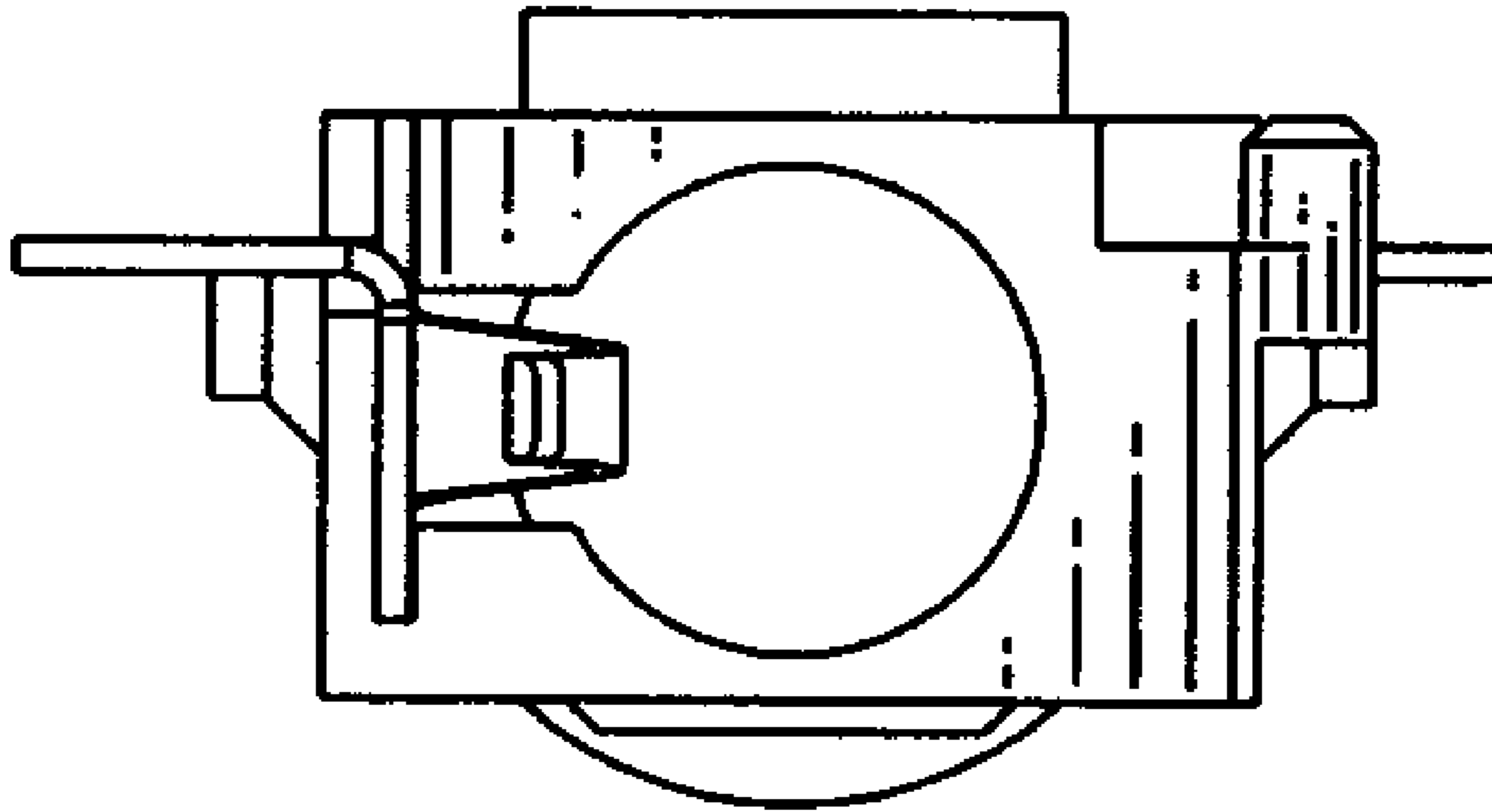


FIG. 6

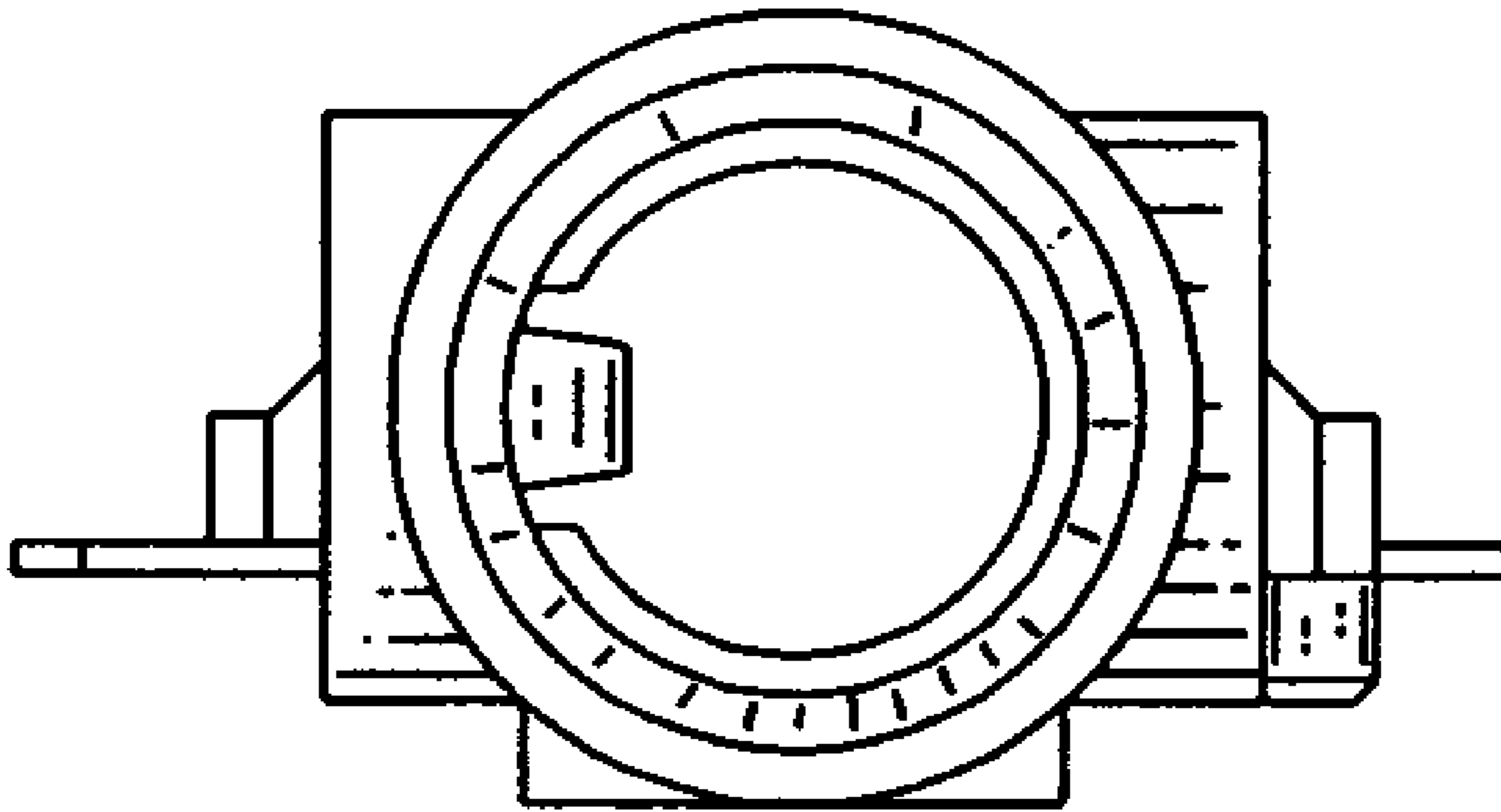


FIG. 7