



US00D552031S

(12) **United States Design Patent**
Kono et al.

(10) **Patent No.:** **US D552,031 S**

(45) **Date of Patent:** **** Oct. 2, 2007**

(54) **SERVO MOTOR**

(75) Inventors: **Toru Kono**, Mobara (JP); **Yasuyuki Suzuki**, Mobara (JP); **Hiroharu Ozawa**, Mobara (JP)

(73) Assignee: **Futaba Corporation**, Mobara-shi, Chiba-ken (JP)

(**) Term: **14 Years**

(21) Appl. No.: **29/225,038**

(22) Filed: **Mar. 10, 2005**

(30) **Foreign Application Priority Data**

Sep. 16, 2004 (JP) 2004-028170

(51) **LOC (8) Cl.** **13-01**

(52) **U.S. Cl.** **D13/112**

(58) **Field of Classification Search** D13/112,
D13/101, 184, 199; 251/129.01, 129.12;
310/40 R, 42, 58, 89, 91

See application file for complete search history.

(56) **References Cited**

U.S. PATENT DOCUMENTS

D168,397 S * 12/1952 Dochterman D13/112
D205,662 S * 9/1966 Bluemink D13/112
D237,387 S * 10/1975 Monroe D13/122

D269,671 S * 7/1983 Horsting D13/122
D304,169 S * 10/1989 Hoshino et al. D13/112
4,933,582 A * 6/1990 Hata et al. 310/154.14
D397,992 S * 9/1998 Shimomura et al. D13/112
6,204,582 B1 * 3/2001 Keller et al. 310/89
6,276,664 B1 * 8/2001 Keller 251/129.12
D462,937 S * 9/2002 Nord D13/112

* cited by examiner

Primary Examiner—Prabhakar Deshmukh

Assistant Examiner—Derrick Holland

(74) *Attorney, Agent, or Firm*—Quarles & Brady LLP

(57) **CLAIM**

We claim the ornamental design for a servo motor, as shown and described.

DESCRIPTION

FIG. 1 is a perspective view of a servo motor showing our new design;

FIG. 2 is a front elevational view thereof;

FIG. 3 is a rear elevational view thereof;

FIG. 4 is a top plan view thereof;

FIG. 5 is a bottom plan view thereof;

FIG. 6 is a right side elevational view thereof; and,

FIG. 7 is a left side elevational view thereof.

1 Claim, 4 Drawing Sheets

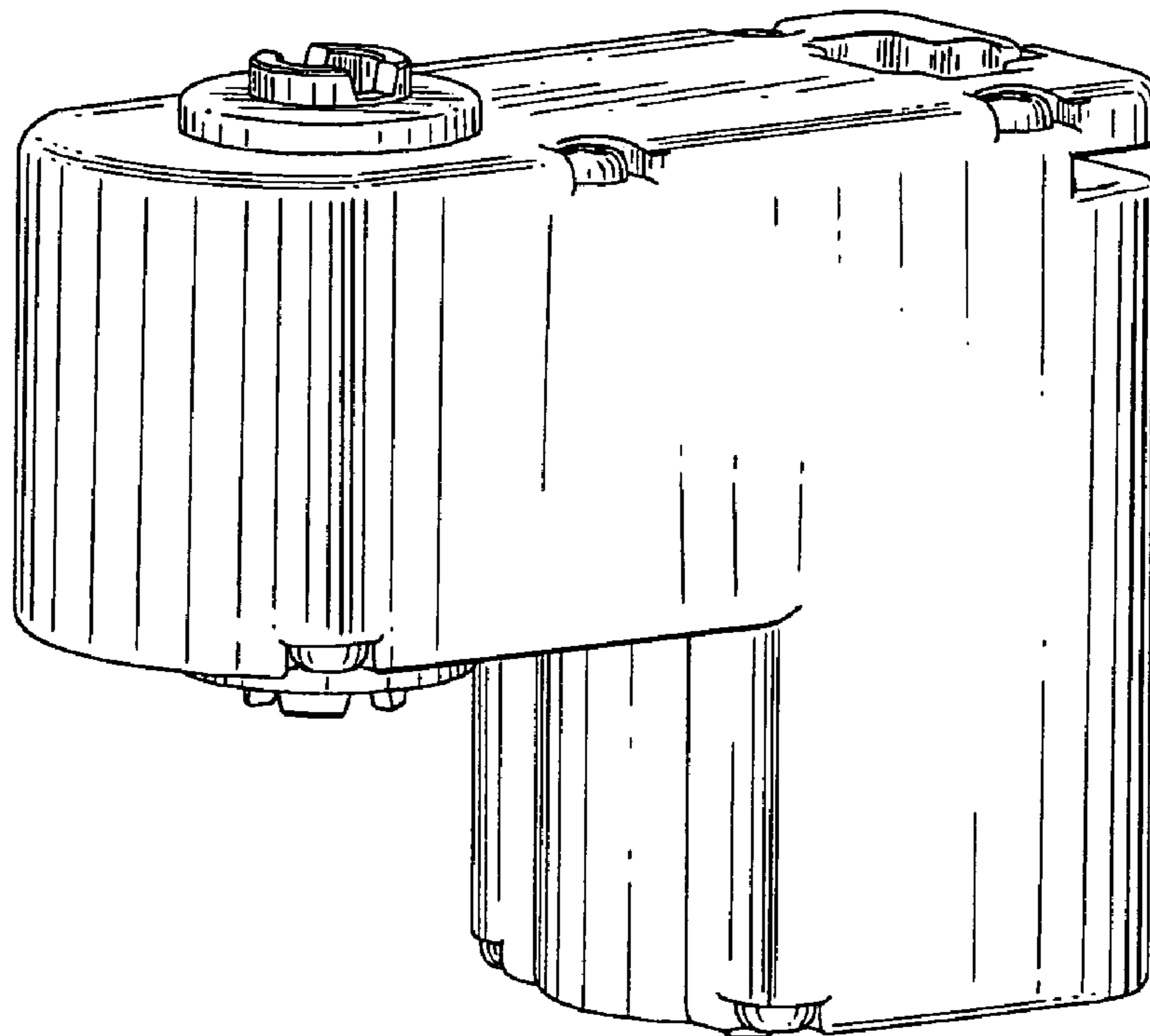


FIG. 1

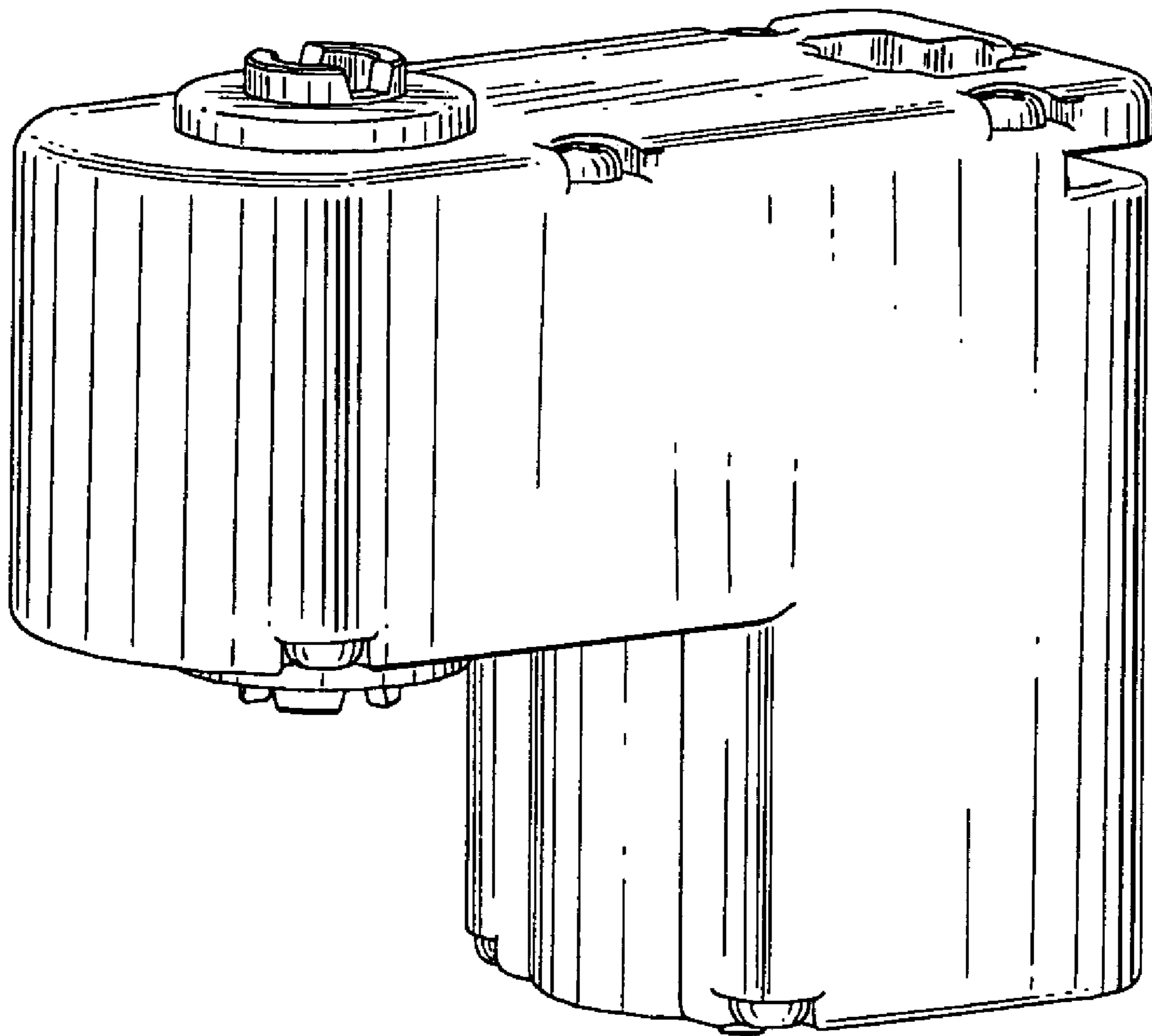


FIG.2

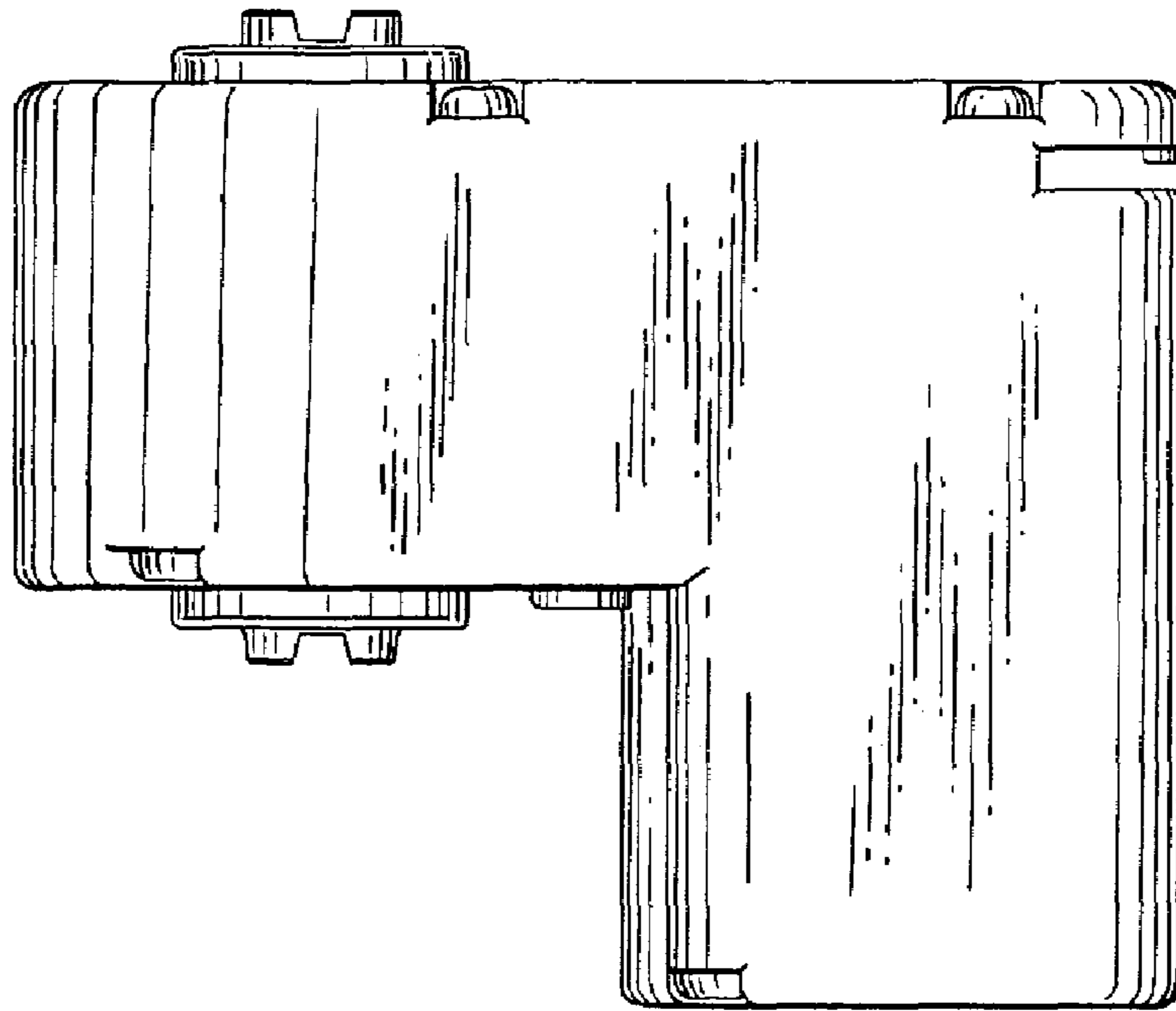


FIG.3

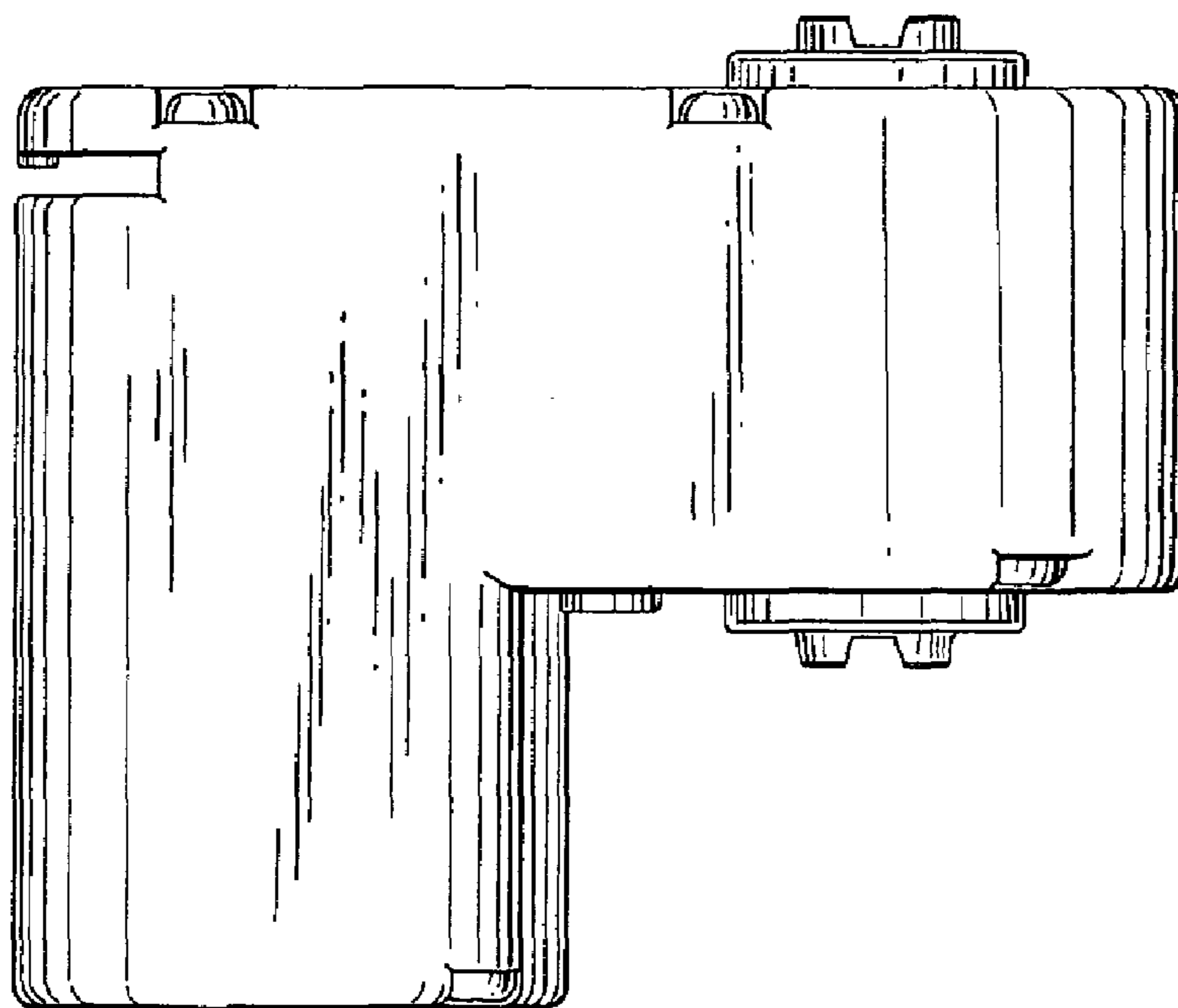


FIG.4

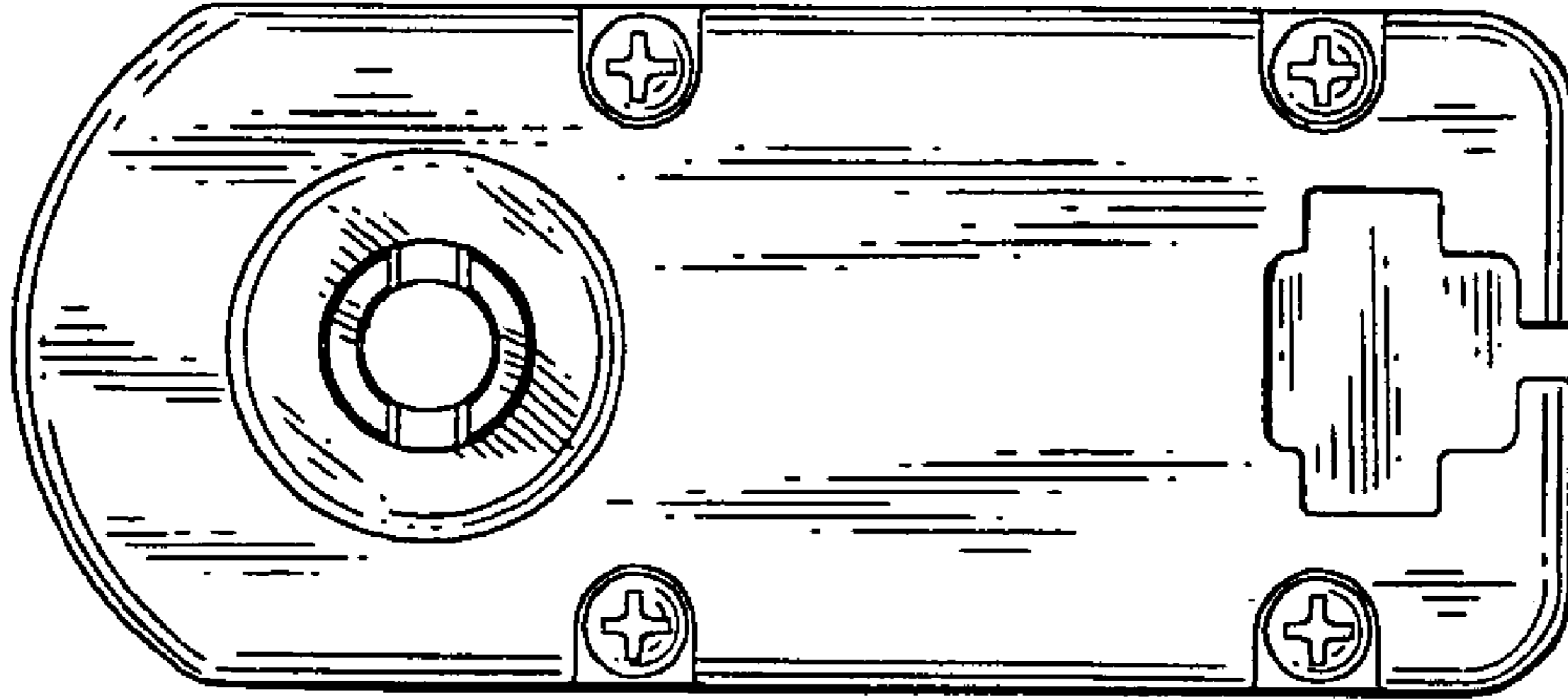


FIG.5

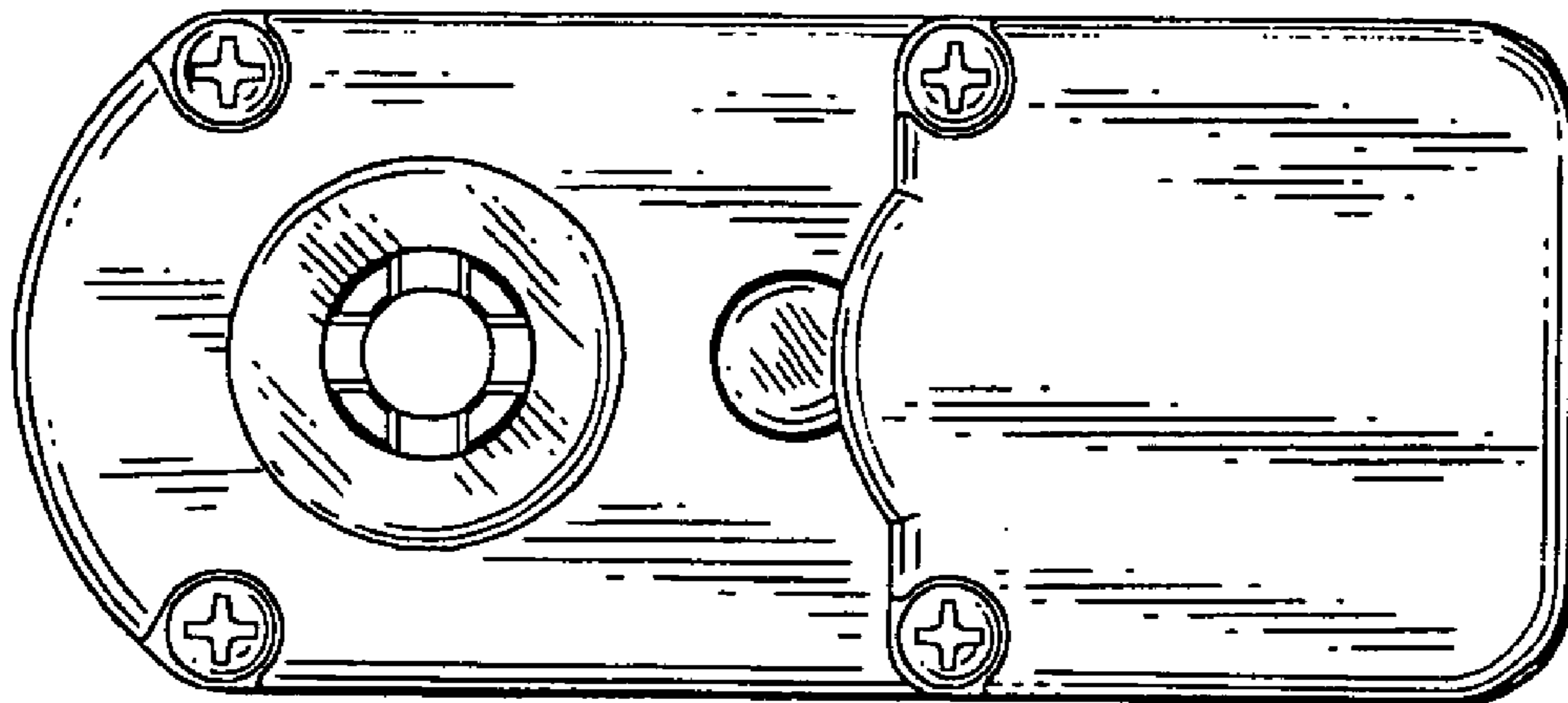


FIG.6

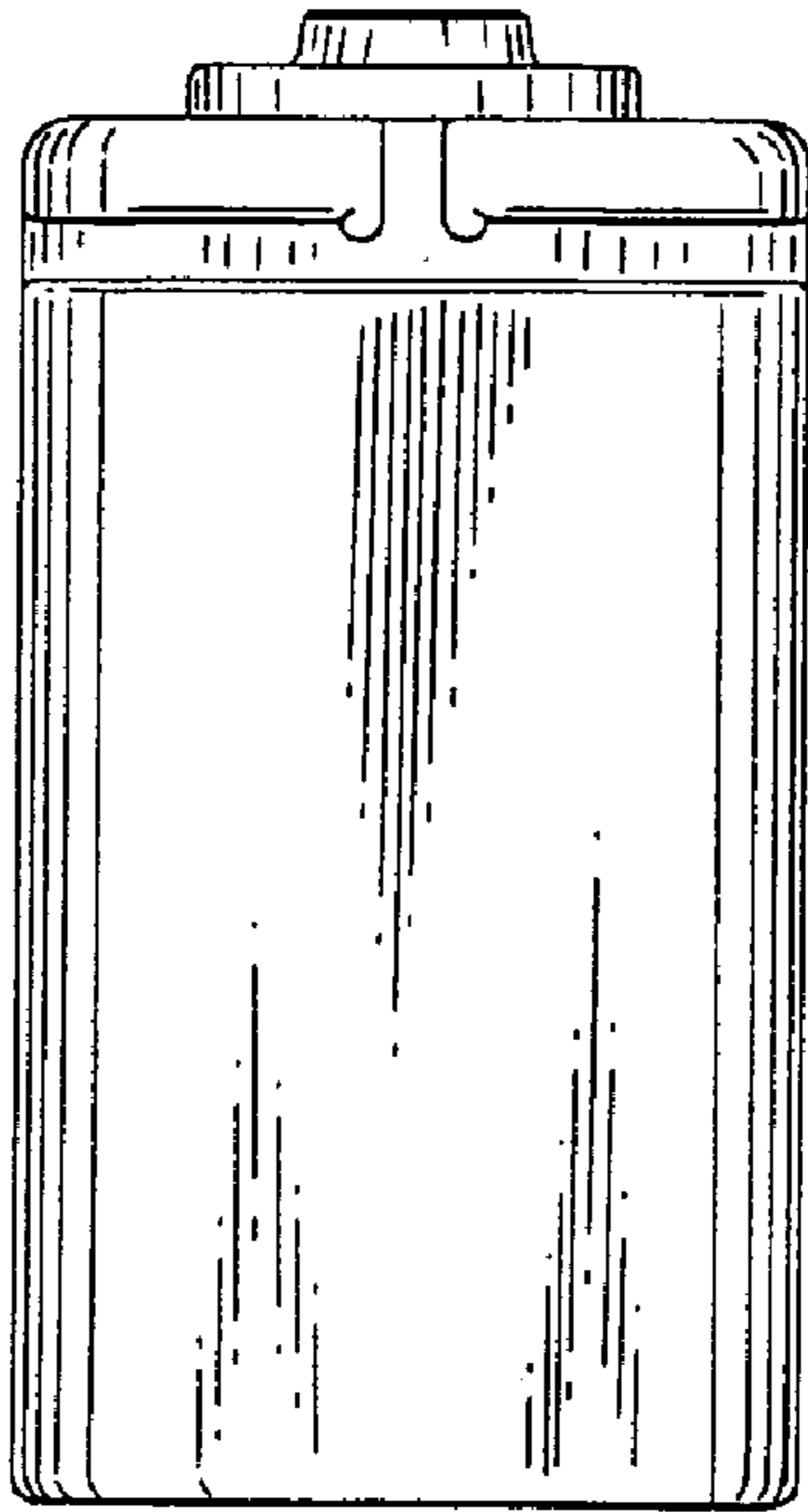


FIG.7

