



US00D552030S

(12) **United States Design Patent**
Wright et al.

(10) **Patent No.:** **US D552,030 S**

(45) **Date of Patent:** **** Oct. 2, 2007**

(54) **POWER SUPPLY FOR A LIGHT HOUSING**

(75) Inventors: **Stuart J. Wright**, Timonium, MD
(US); **Lee M. Brendel**, Bel Air, MD
(US)

(73) Assignee: **Black & Decker Inc.**, Newark, DE
(US)

(**) Term: **14 Years**

(21) Appl. No.: **29/257,905**

(22) Filed: **Apr. 12, 2006**

(51) **LOC (8) Cl.** **13-02**

(52) **U.S. Cl.** **D13/110**

(58) **Field of Classification Search** D13/110,
D13/101, 118, 199; D26/39; 257/690, 734;
361/601, 669, 674, 730; 362/192, 193
See application file for complete search history.

(56) **References Cited**

U.S. PATENT DOCUMENTS

- 5,065,278 A * 11/1991 Schultz 361/688
- D368,316 S * 3/1996 Jansson D26/39
- D400,167 S * 10/1998 Klaus D13/110
- D433,995 S * 11/2000 Romano D13/110

- D453,139 S * 1/2002 Yang D13/110
- D453,142 S * 1/2002 Watanabe et al. D13/118
- D456,006 S * 4/2002 Maher et al. D13/110
- D492,251 S * 6/2004 Cameron et al. D13/110

* cited by examiner

Primary Examiner—Prabhakar Deshmukh

Assistant Examiner—Derrick Holland

(74) *Attorney, Agent, or Firm*—Adan Ayala

(57) **CLAIM**

The ornamental design for a power supply for a light housing, as shown and described.

DESCRIPTION

FIG. 1 is a perspective right side view of a power supply for a light housing showing our new design;

FIG. 2 is a front elevational view thereof;

FIG. 3 is a rear elevational view thereof;

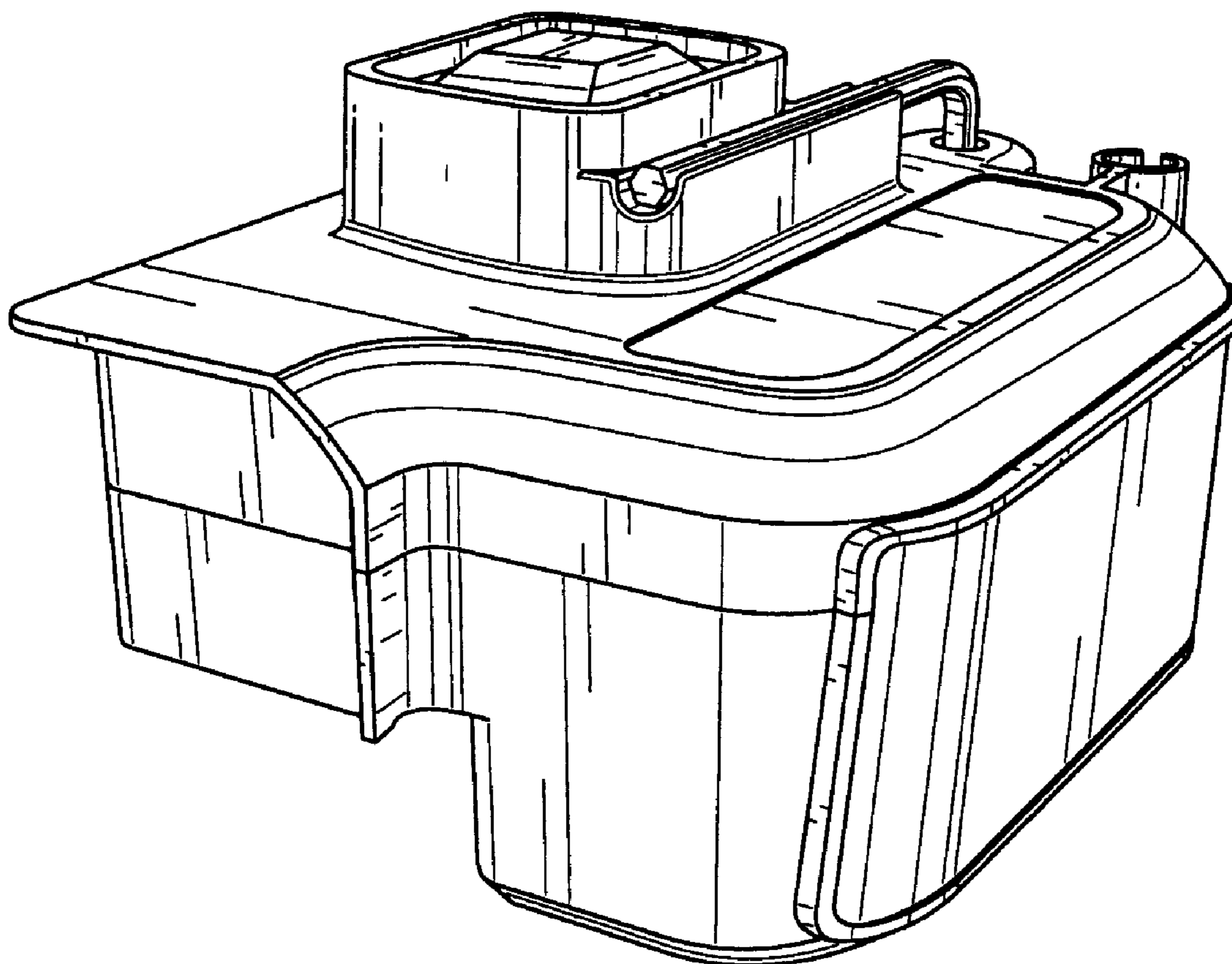
FIG. 4 is a left side elevational view thereof;

FIG. 5 is a right side elevational view thereof;

FIG. 6 is a top plan view thereof; and,

FIG. 7 is a bottom plan view thereof.

1 Claim, 7 Drawing Sheets



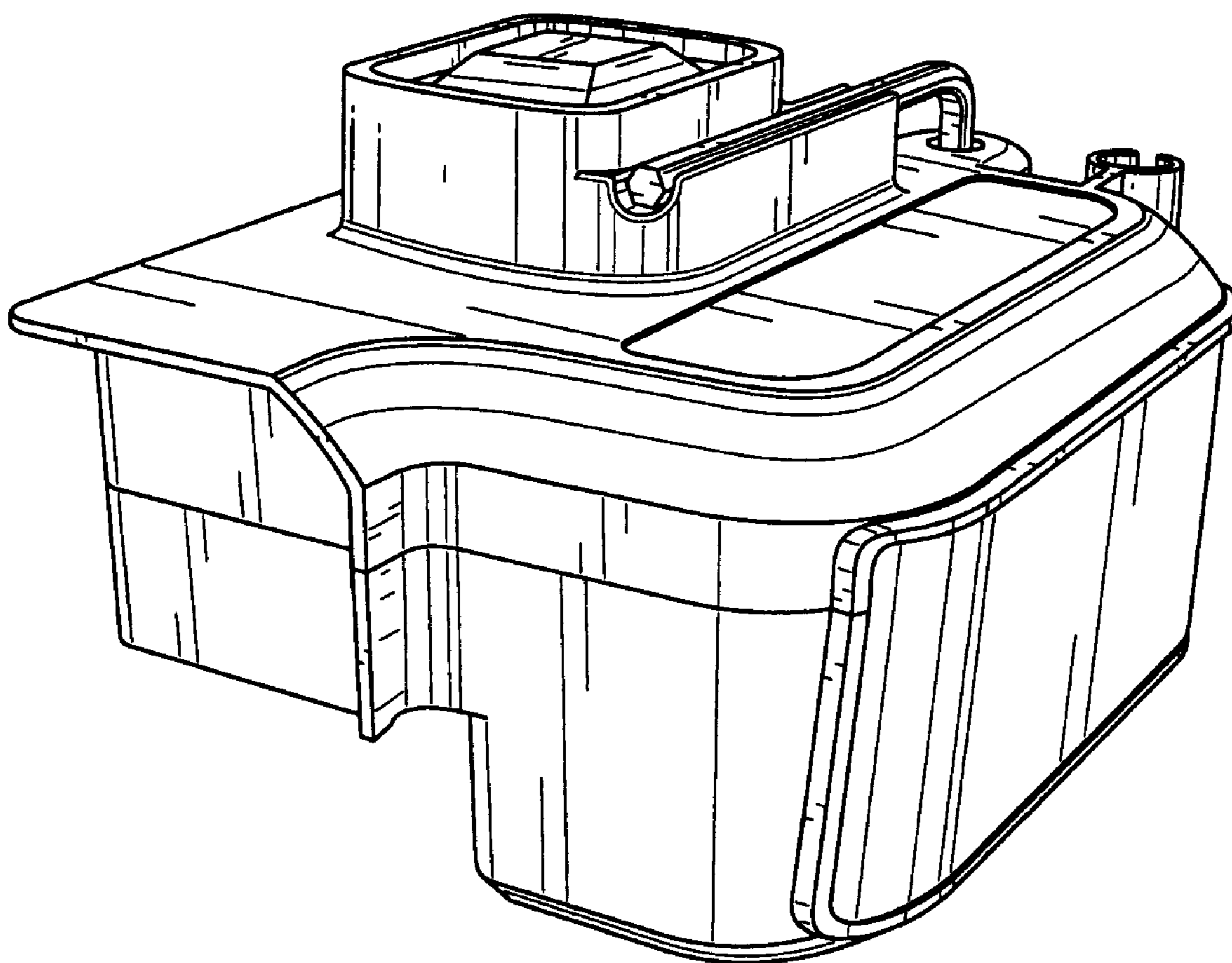


FIG. 1

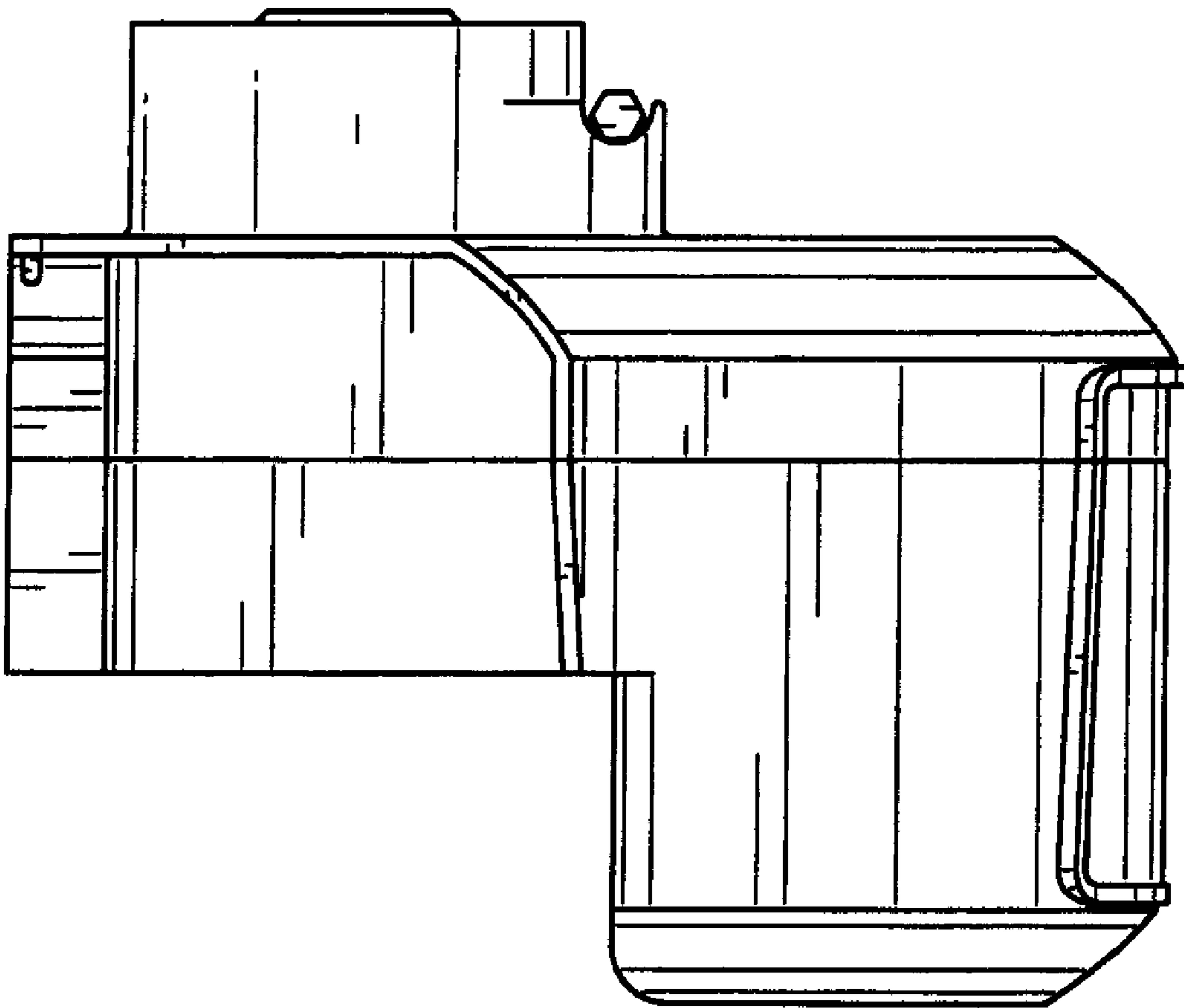


FIG. 2

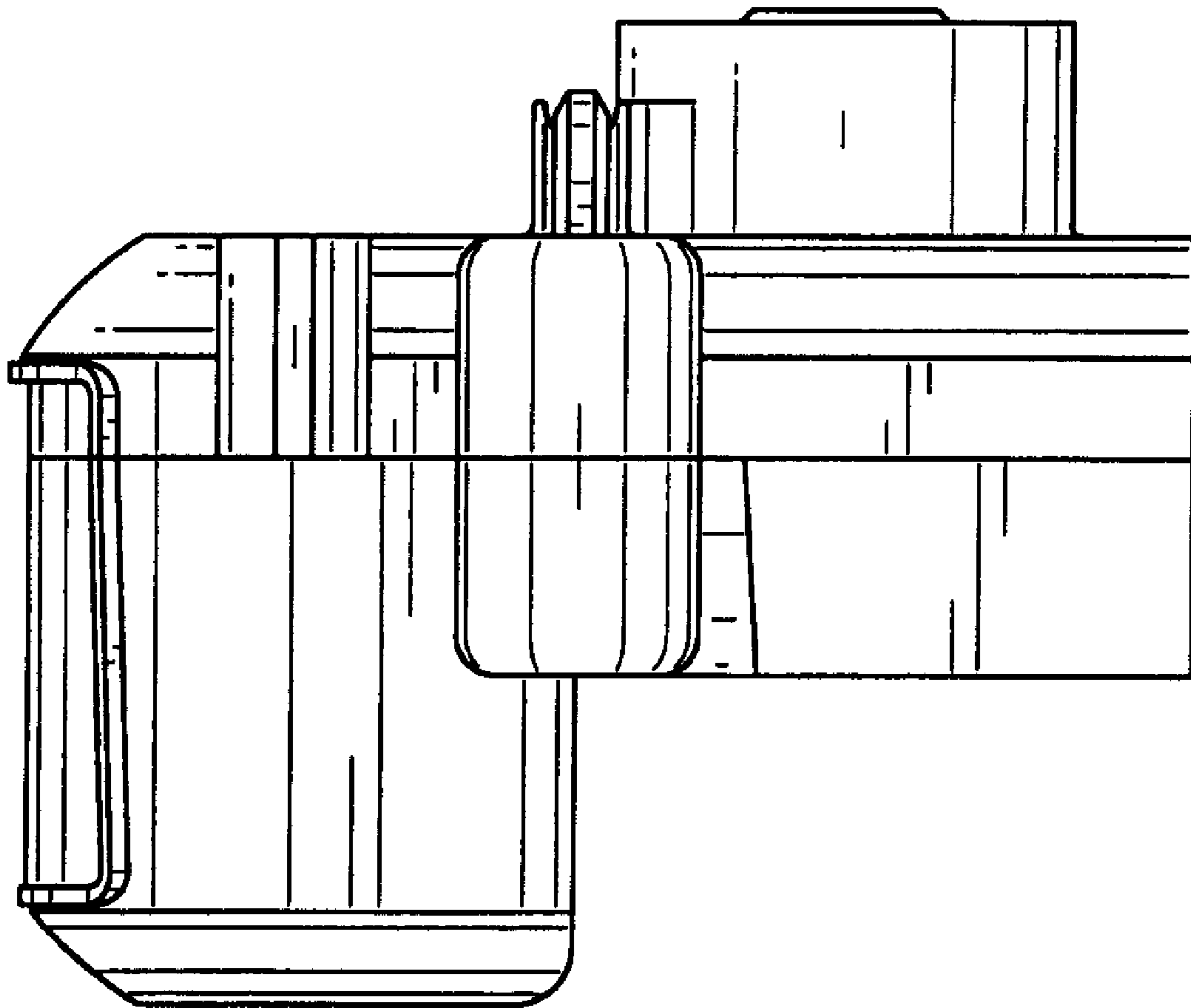


FIG. 3



FIG. 4

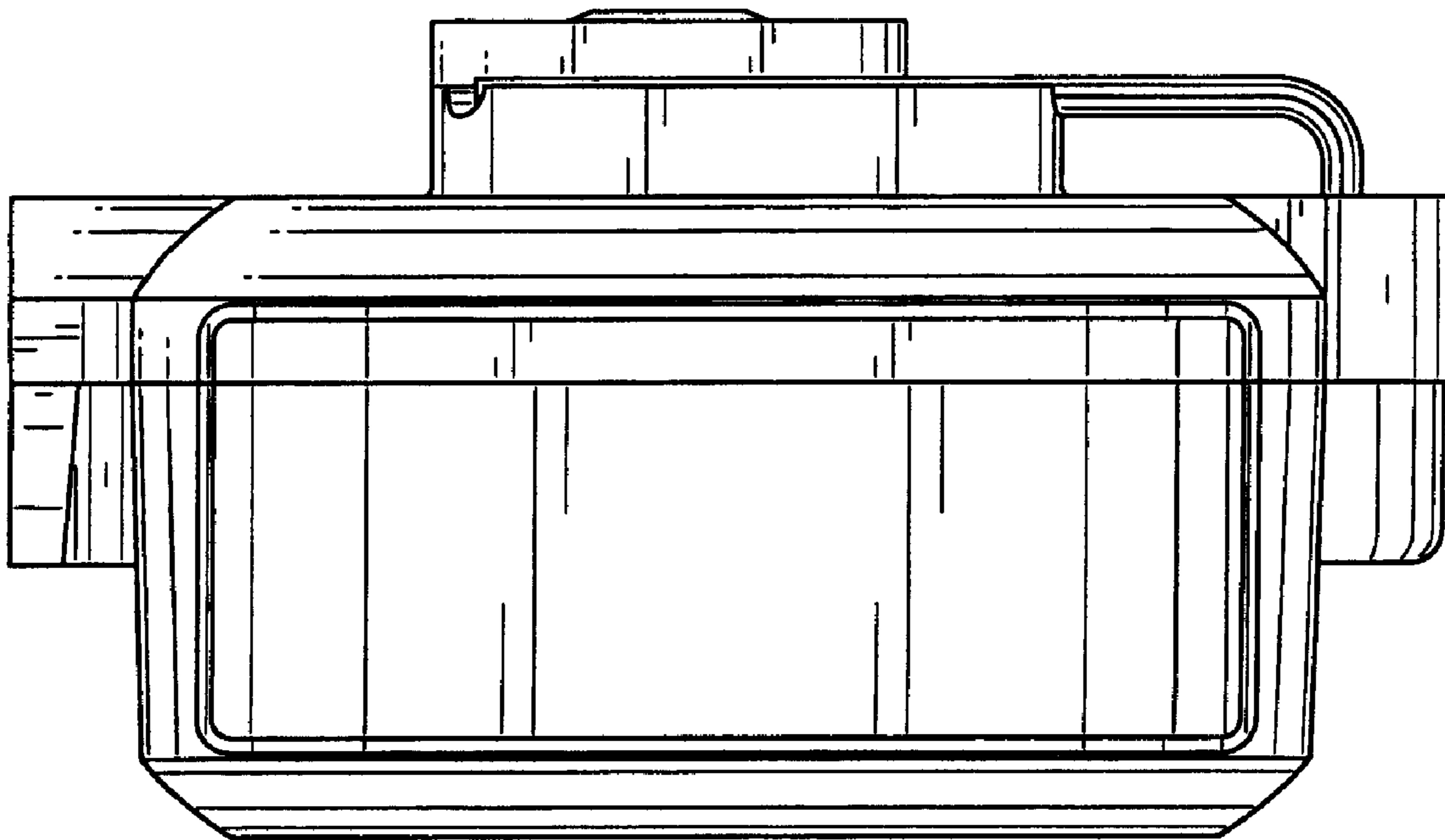


FIG. 5

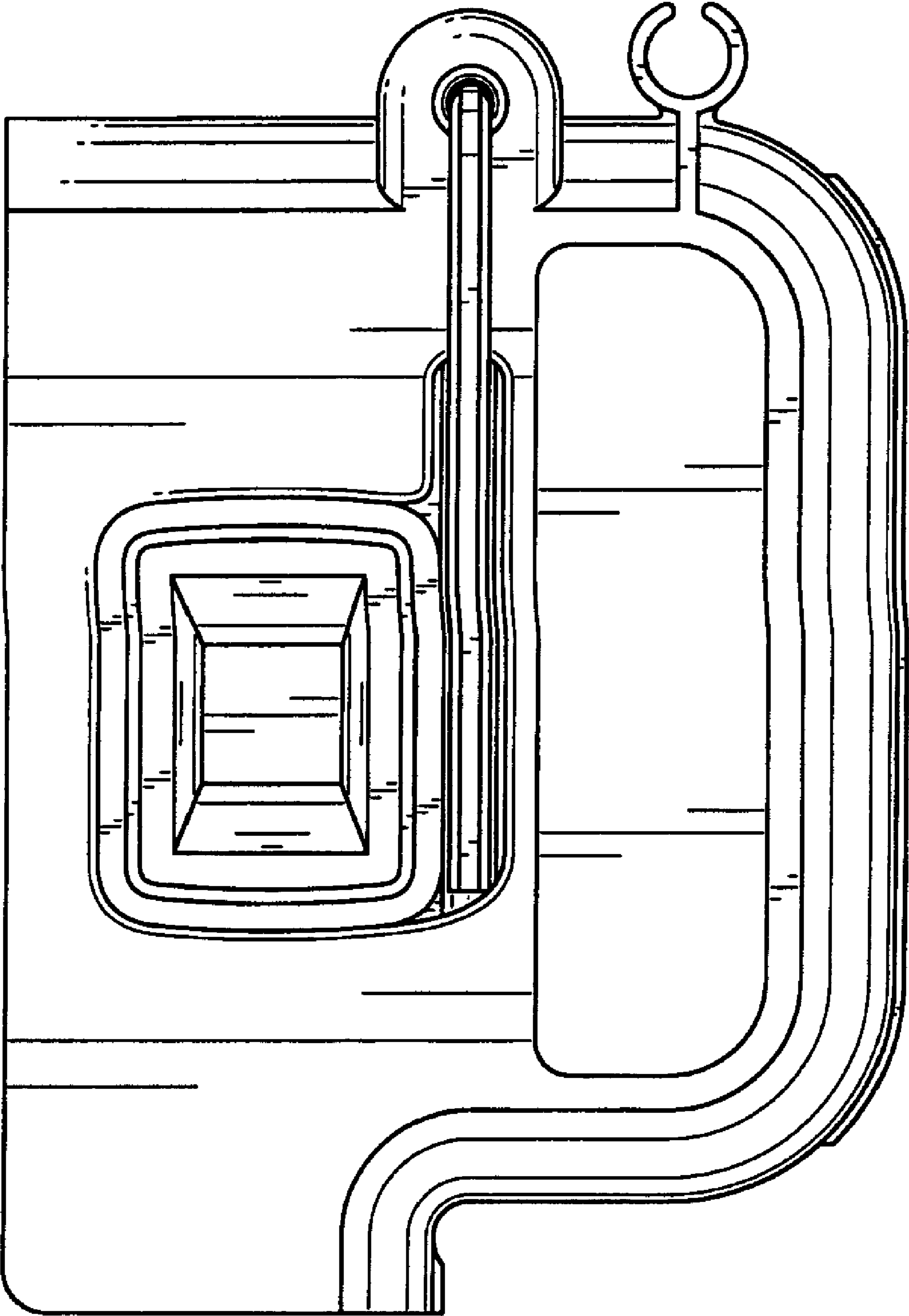


FIG. 6

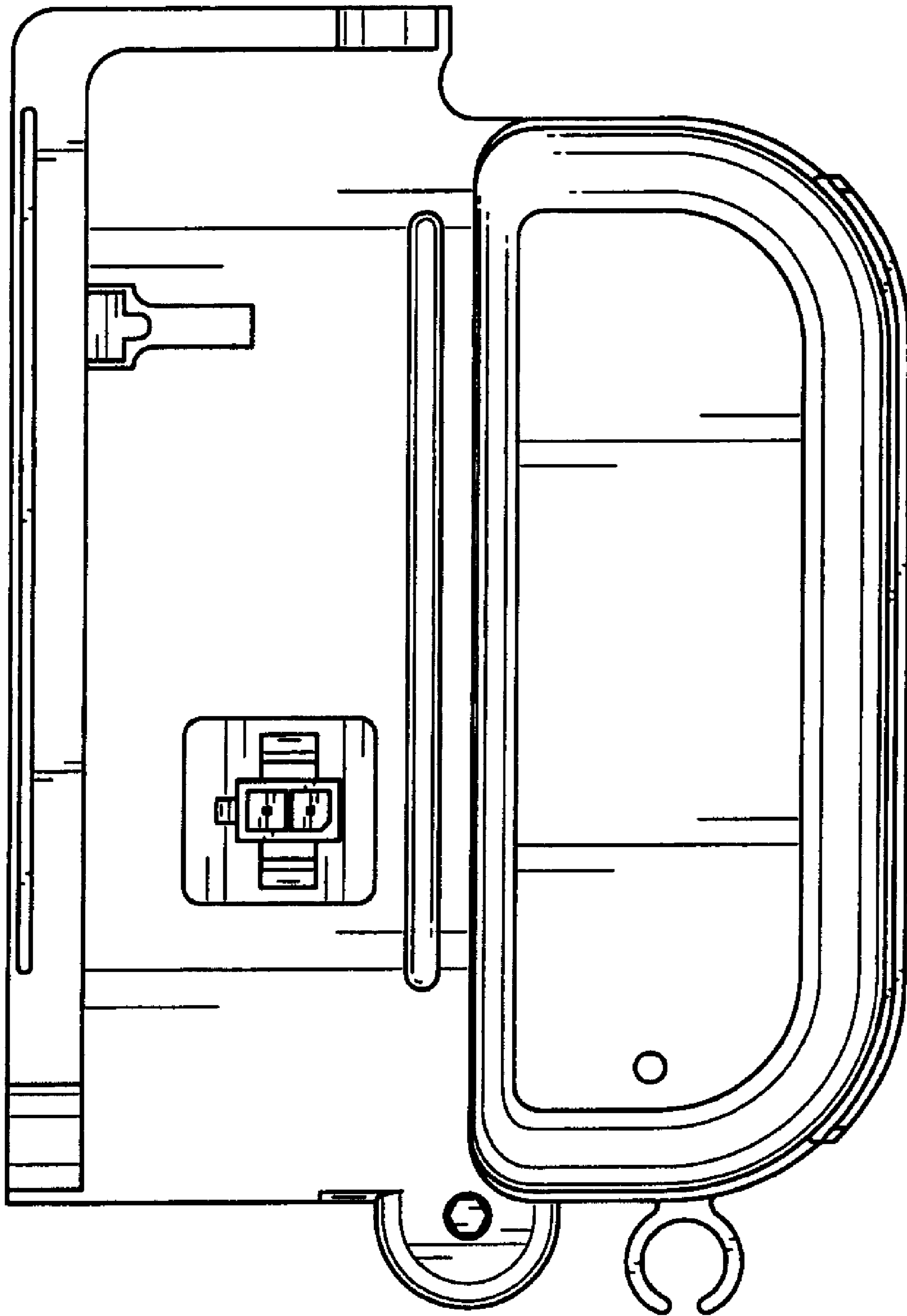


FIG. 7