

US00D552026S

(12) **United States Design Patent**
Ting

(10) **Patent No.:** **US D552,026 S**

(45) **Date of Patent:** **** Oct. 2, 2007**

(54) **TELESCOPING PYLON**

(75) Inventor: **Yu Yen Ting**, Bellevue, WA (US)

(73) Assignee: **Marine Hardware, Inc.**, Redmond, WA (US)

(**) Term: **14 Years**

(21) Appl. No.: **29/256,115**

(22) Filed: **Mar. 16, 2006**

(51) **LOC (8) Cl.** **12-06**

(52) **U.S. Cl.** **D12/317**

(58) **Field of Classification Search** D12/300,
D12/307, 317, 318; 114/242, 249, 253, 254
See application file for complete search history.

(56) **References Cited**

U.S. PATENT DOCUMENTS

4,589,366	A *	5/1986	Eiber	114/363
4,893,577	A *	1/1990	Jennings	114/253
4,960,065	A *	10/1990	Junkeris	114/254
D355,402	S *	2/1995	Ritzenthaler	D12/317
D355,634	S *	2/1995	Ritzenthaler	D12/317
5,906,170	A *	5/1999	Robertson	114/254
D415,729	S *	10/1999	Wells	D12/317
6,021,734	A *	2/2000	Sperberg	114/363
D464,018	S *	10/2002	Anderson	D12/317

* cited by examiner

Primary Examiner—Holly H. Baynham

Assistant Examiner—Cynthia M. Chin

(74) *Attorney, Agent, or Firm*—Jensen & Punitgam PS

(57) **CLAIM**

The ornamental design for a telescoping pylon, as shown and described.

DESCRIPTION

FIG. 1 is an isometric view of the inventive telescoping pylon in the collapsed position.

FIG. 2 is a side elevation view of the inventive telescoping pylon shown in FIG. 1.

FIG. 3 is a front elevation view of the inventive telescoping pylon shown in FIG. 1.

FIG. 4 is a top plan view of the inventive telescoping pylon shown in FIG. 1.

FIG. 5 is an isometric view of the inventive telescoping pylon of FIG. 1 in an extended position.

FIG. 6 is a side view of the inventive telescoping pylon shown in FIG. 5.

FIG. 7 is a front view of the inventive telescoping pylon shown in FIG. 5; and,

FIG. 8 is a top plan view of the inventive telescoping pylon shown in FIG. 5.

The broken lines are for illustrative purposes only and forms no part of the claimed design.

1 Claim, 2 Drawing Sheets

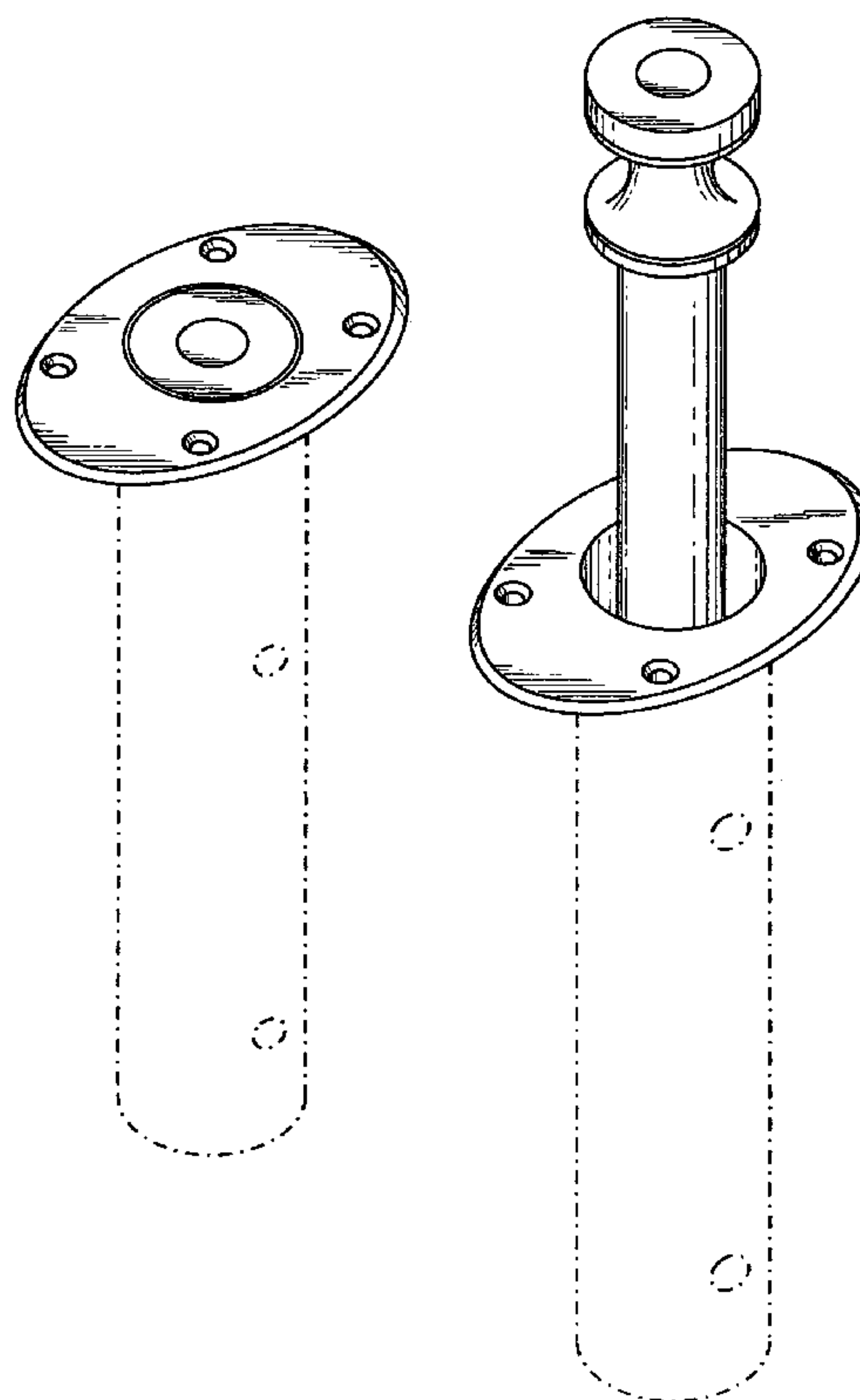


FIG.1

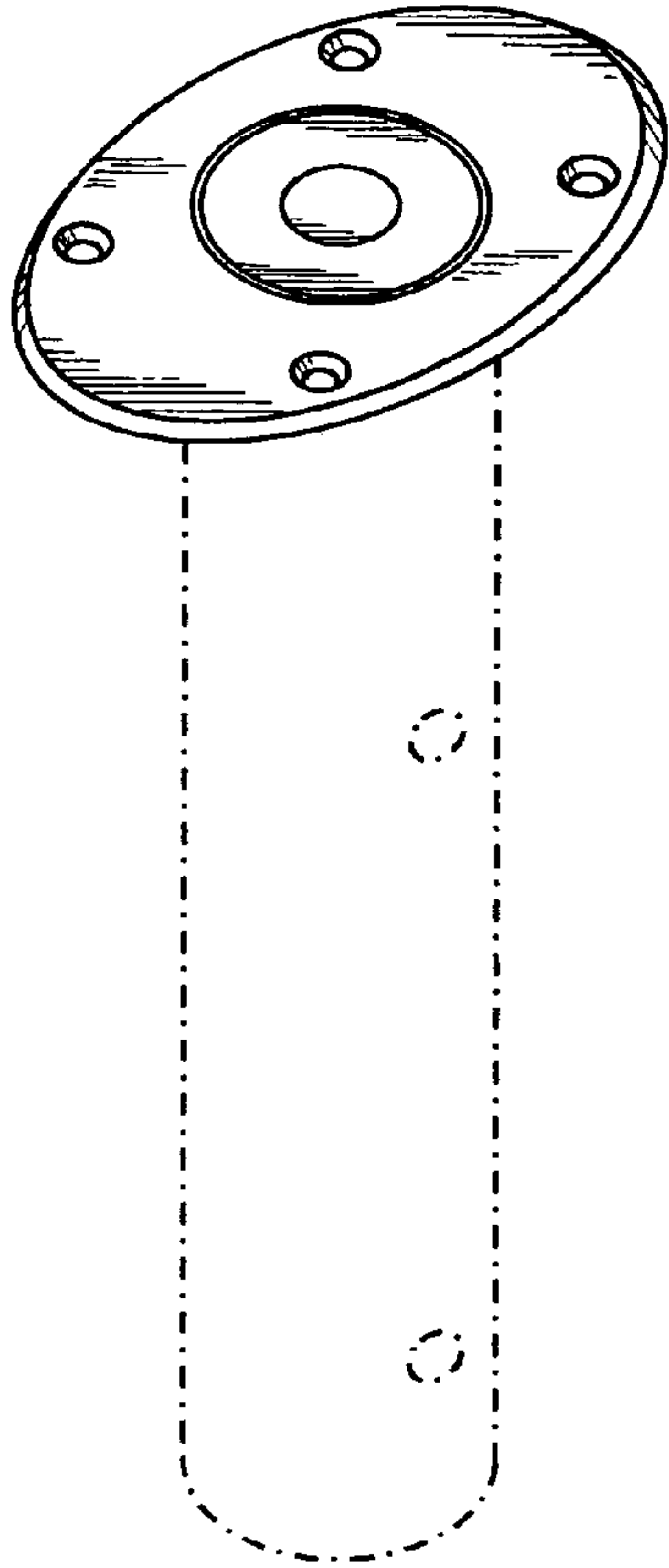


FIG.2

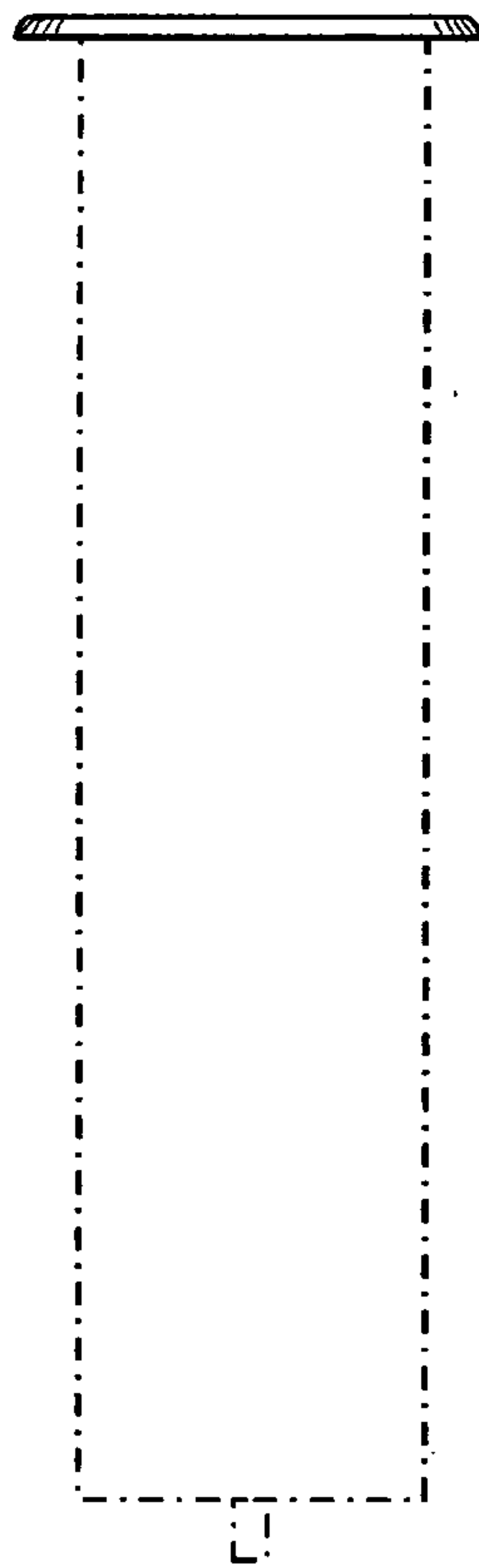


FIG.3

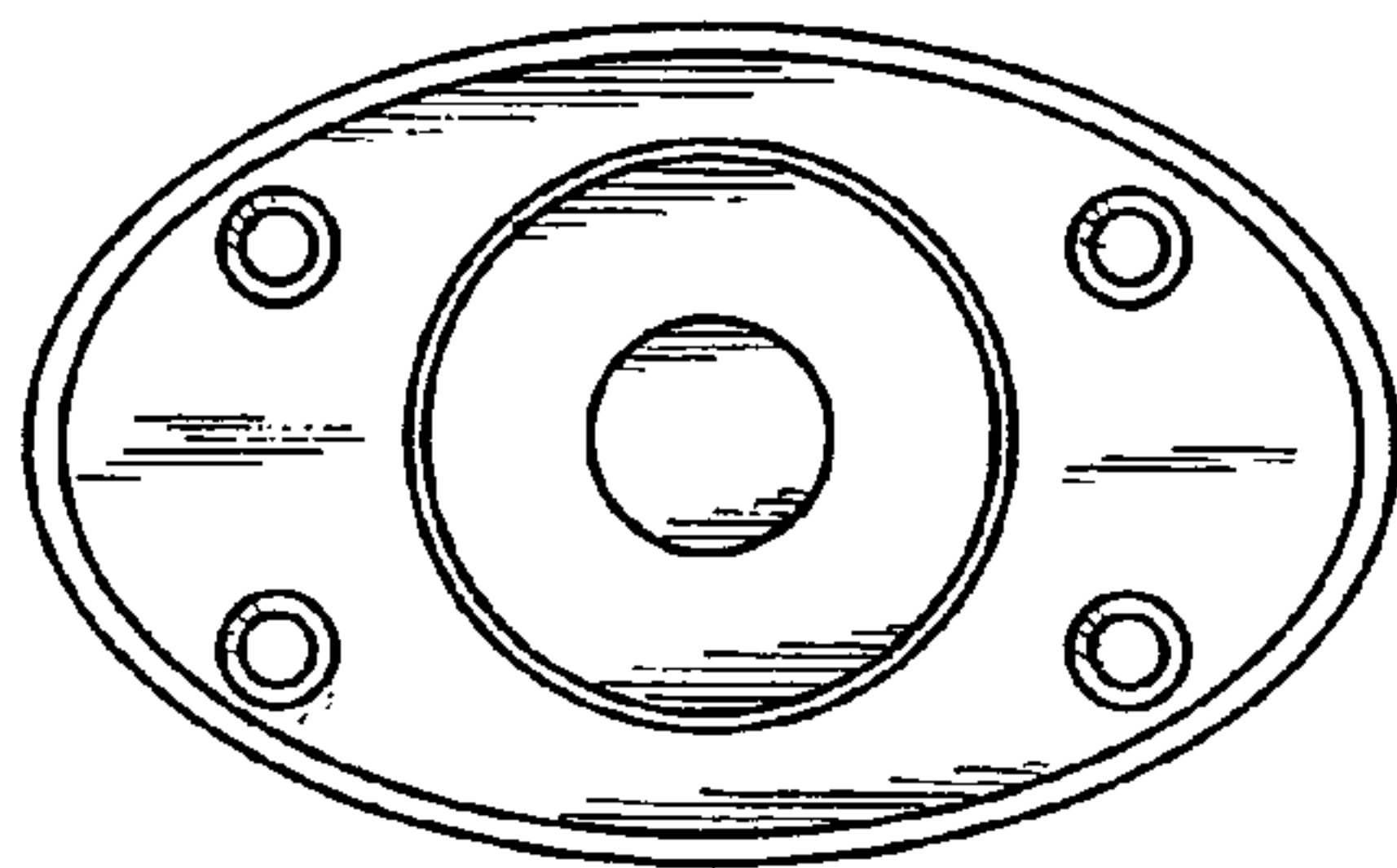
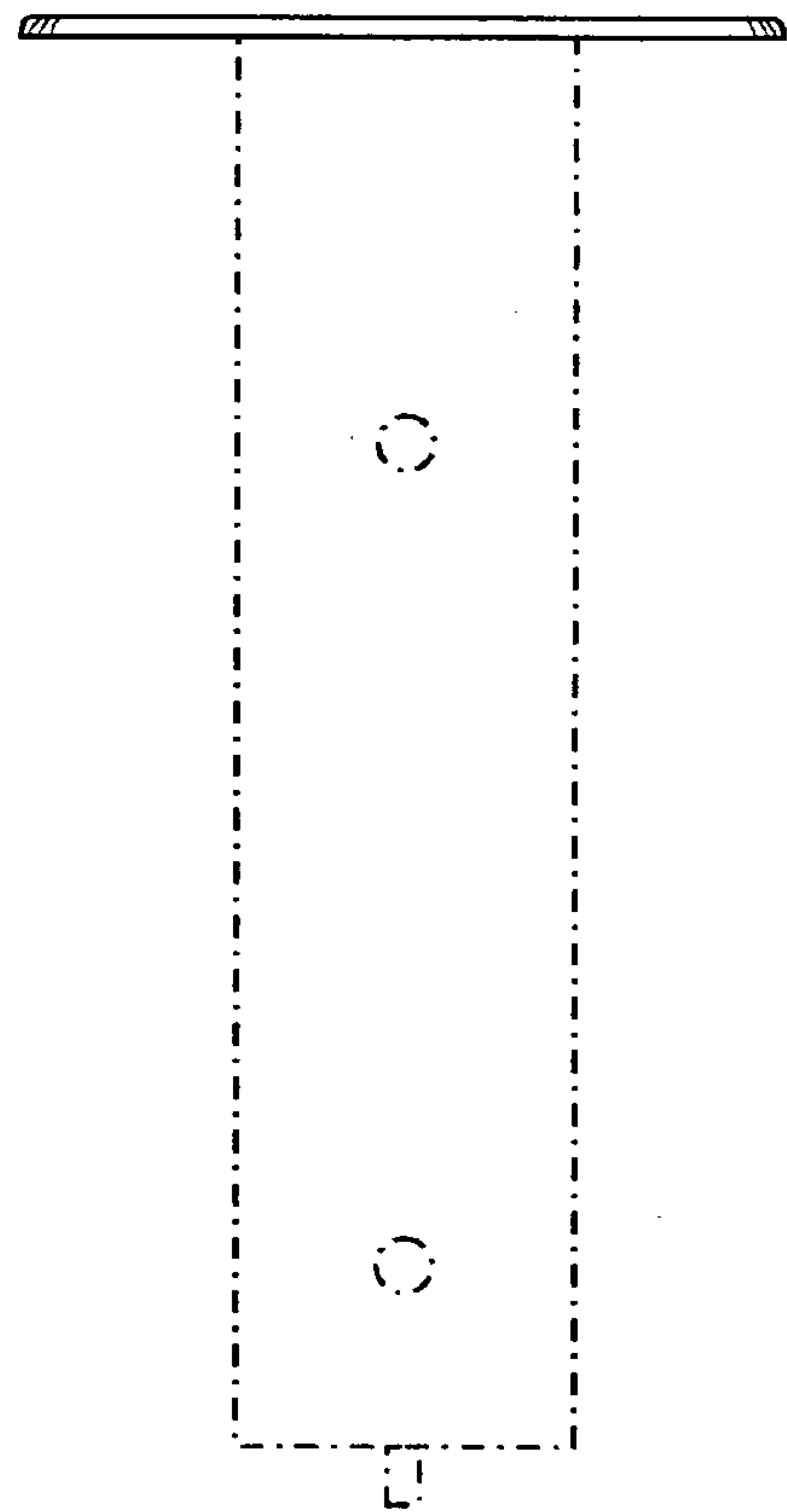


FIG.4

FIG. 5

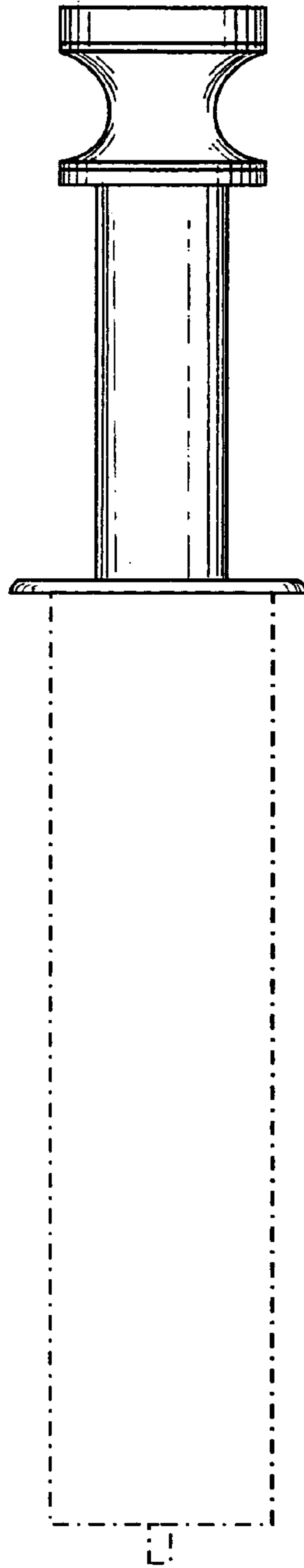
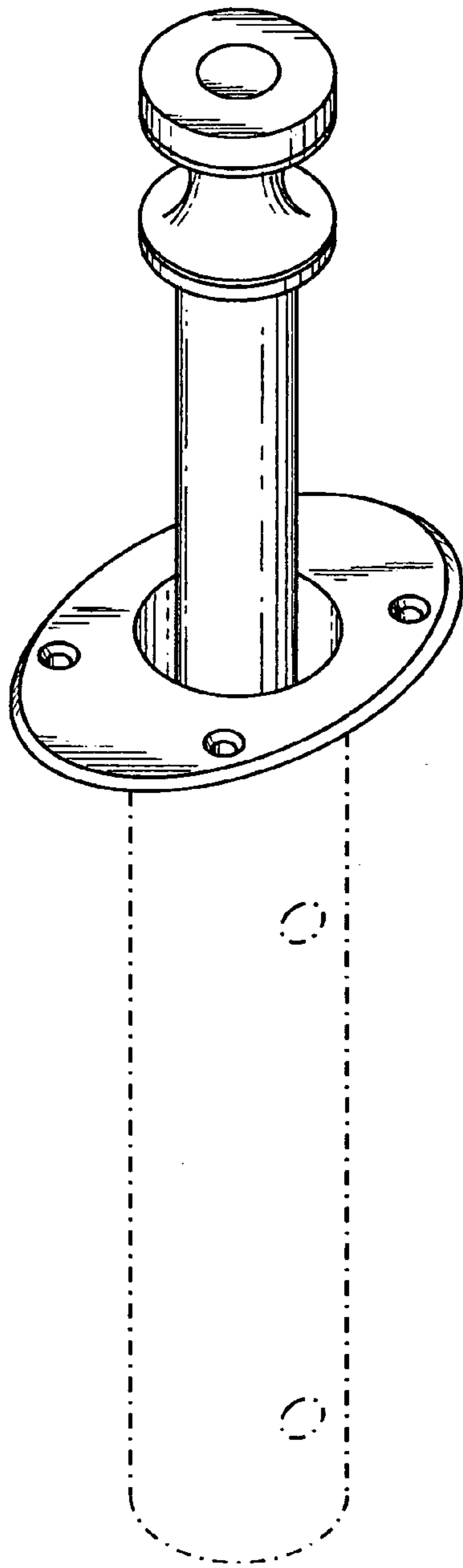


FIG. 6

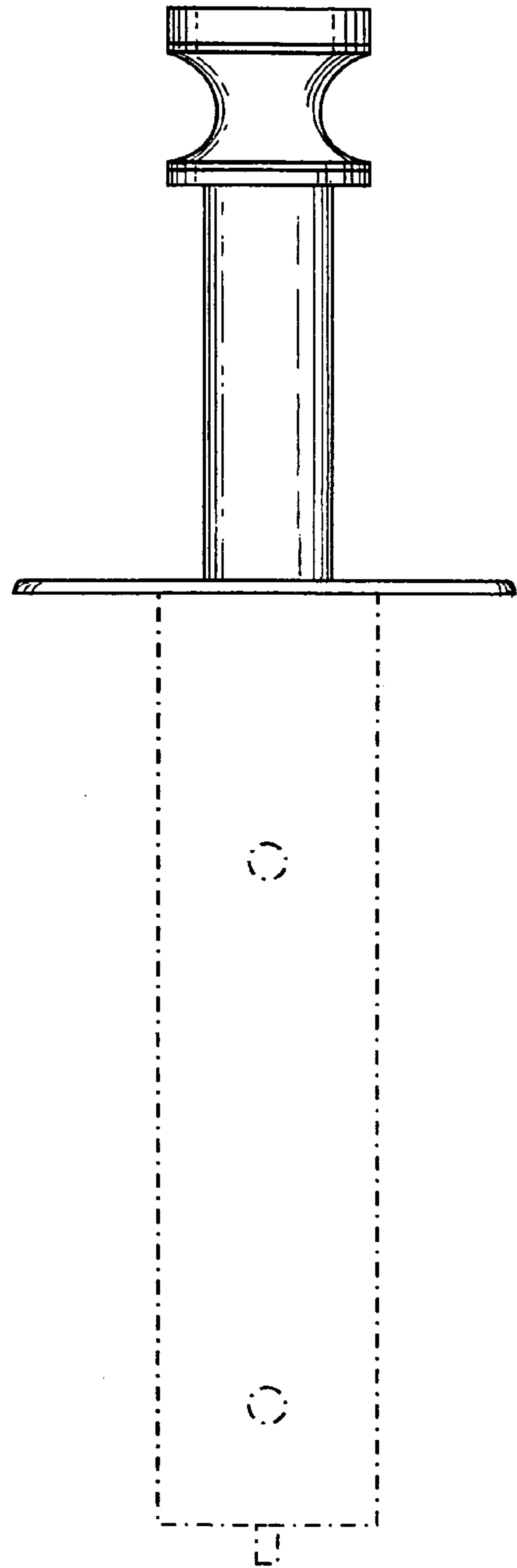


FIG. 7

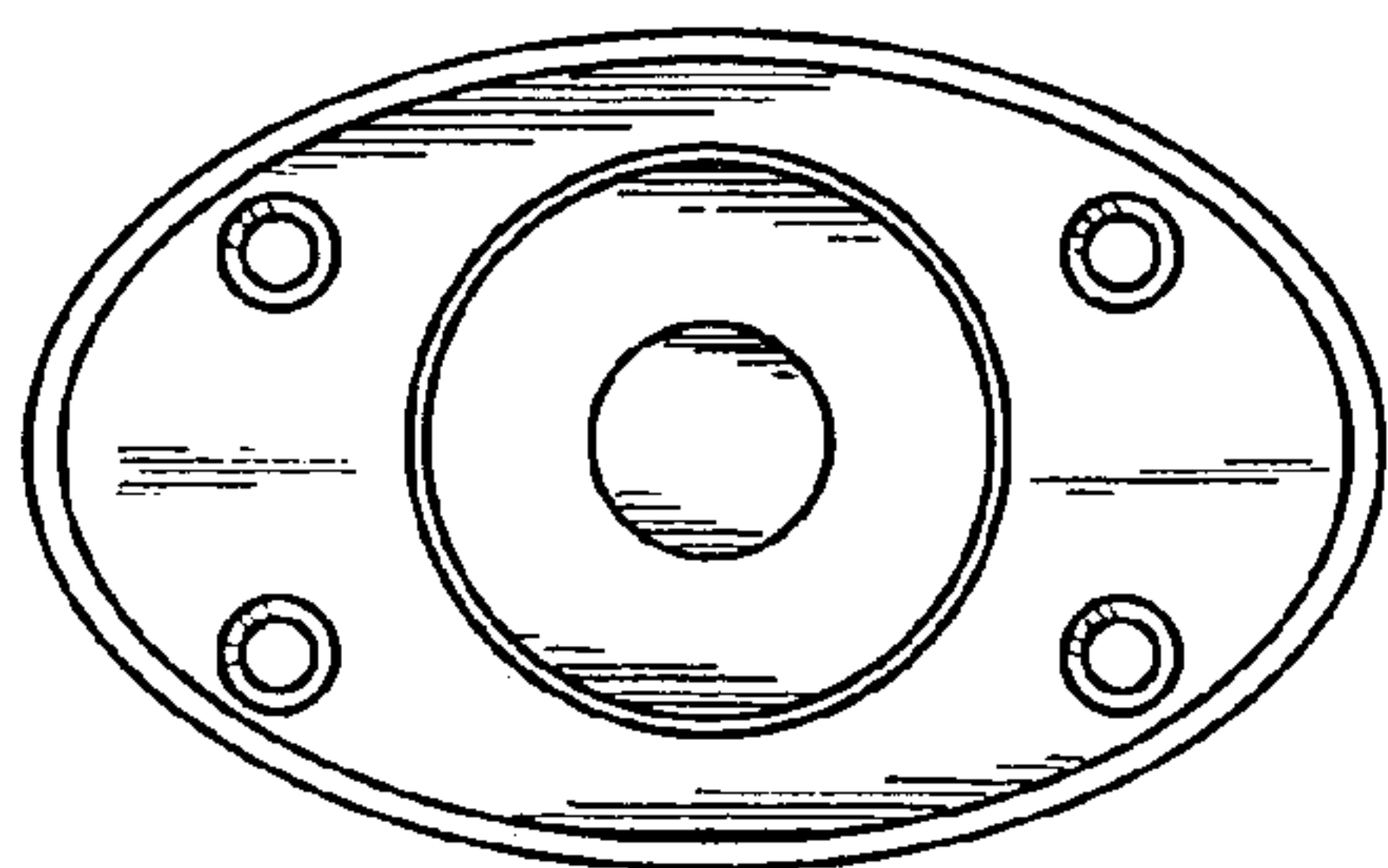


FIG. 8