



US00D552025S

(12) **United States Design Patent**  
**Kim**

(10) **Patent No.:** **US D552,025 S**

(45) **Date of Patent:** **\*\* Oct. 2, 2007**

(54) **WIPER**

(74) *Attorney, Agent, or Firm*—Sughrue Mion, PLLC

(75) **Inventor:** **In-Kyu Kim**, Ansan-shi (KR)

(57) **CLAIM**

(73) **Assignee:** **ADM 21 Co., Ltd.**, Kyonggi-do (KR)

The ornamental design for a wiper, as shown and described.

(\*\*) **Term:** **14 Years**

**DESCRIPTION**

(21) **Appl. No.:** **29/257,251**

FIG. 1 is a perspective view of the front, top, side of a wiper thereof;

(22) **Filed:** **Apr. 3, 2006**

FIG. 2 is a front elevational view thereof;

(51) **LOC (8) Cl.** ..... **12-06**

FIG. 3 is a rear elevational view thereof;

(52) **U.S. Cl.** ..... **D12/219**

FIG. 4 is a left side elevational view thereof;

(58) **Field of Classification Search** ..... D12/219–220;

FIG. 5 is a right side elevational view thereof;

15/250.31–250.33, 250.351, 250.38, 250.4,

FIG. 6 is a top plan view thereof;

15/250.41–44, 250.201, 250.451–250.458,

FIG. 7 is a bottom plan view thereof;

15/250.48, 250.04, 250.07, 250.44

FIG. 8 is a perspective view of a rear elevational view thereof; and

See application file for complete search history.

FIG. 9 is an enlarged front elevational view of the area 9 in FIG. 1;

(56) **References Cited**

**U.S. PATENT DOCUMENTS**

D365,079 S *	12/1995	Abbott et al. ....	D12/220
D393,619 S *	4/1998	Jeffer et al. ....	D12/220
D443,582 S *	6/2001	De Block ....	D12/219
D443,854 S *	6/2001	De Block ....	D12/219
D457,479 S *	5/2002	De Block et al. ....	D12/219
D511,735 S *	11/2005	Aoyama et al. ....	D12/219
D524,223 S *	7/2006	Nakano et al. ....	D12/219

FIG. 10 is a left side view of FIG. 9;

FIG. 11 is a top plan view of FIG. 9;

FIG. 12 is an enlarged cross sectional view of line 12—12 in FIG. 1; and,

FIG. 13 is an enlarged top plan view of the area 13 in FIG. 1.

\* cited by examiner

*Primary Examiner*—Stacia Cadmus

**1 Claim, 4 Drawing Sheets**

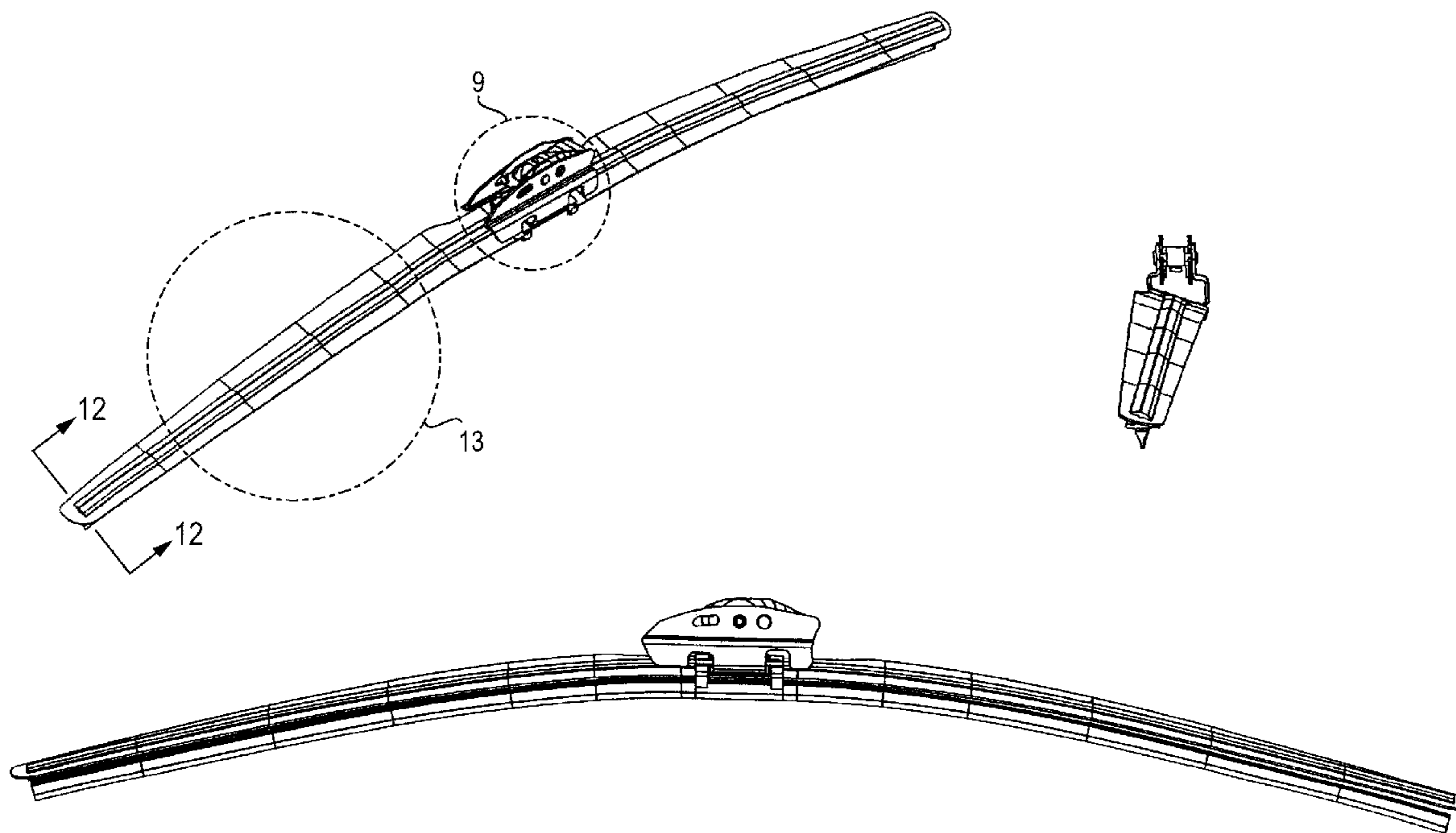


FIG 1.

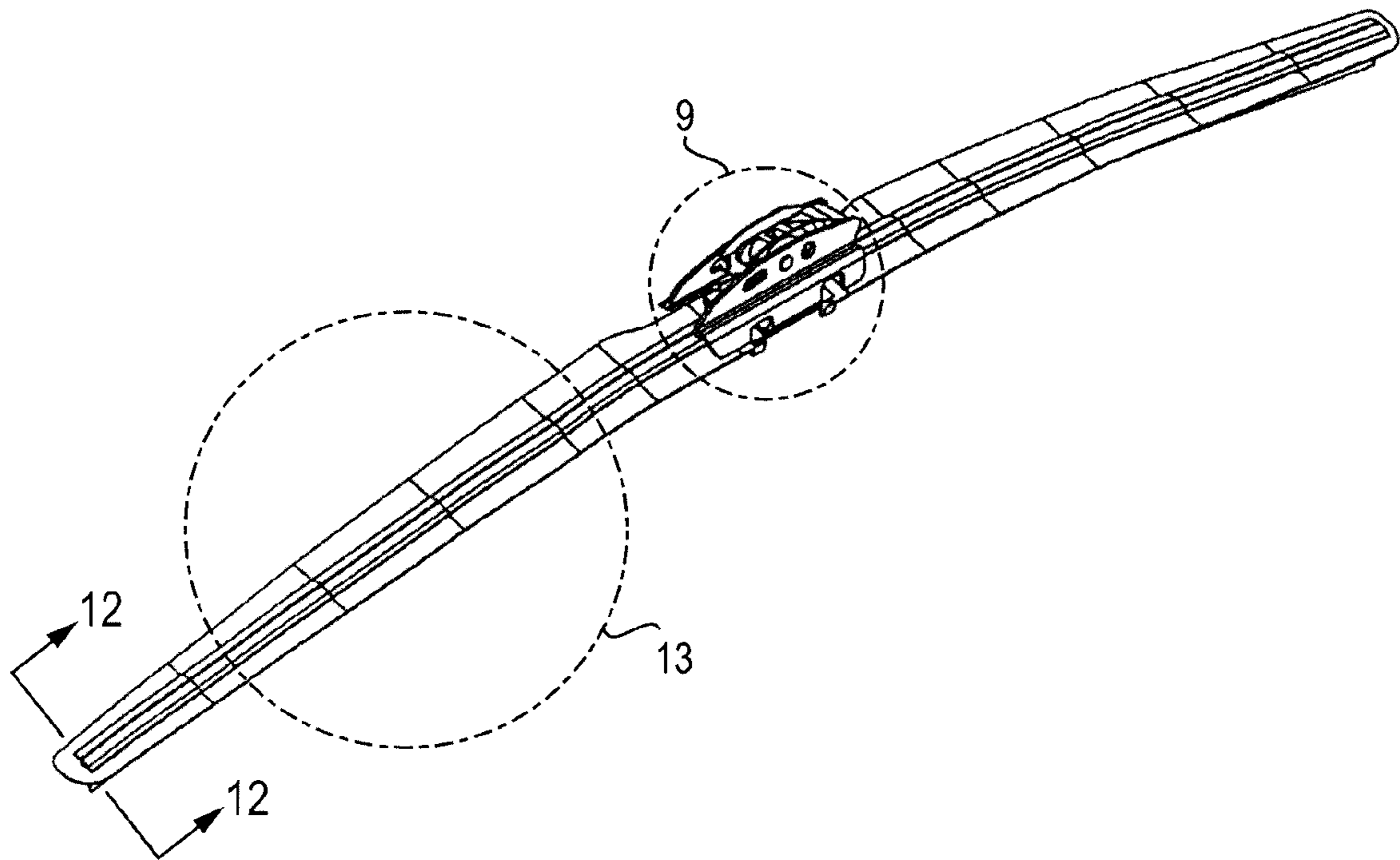


FIG 8.

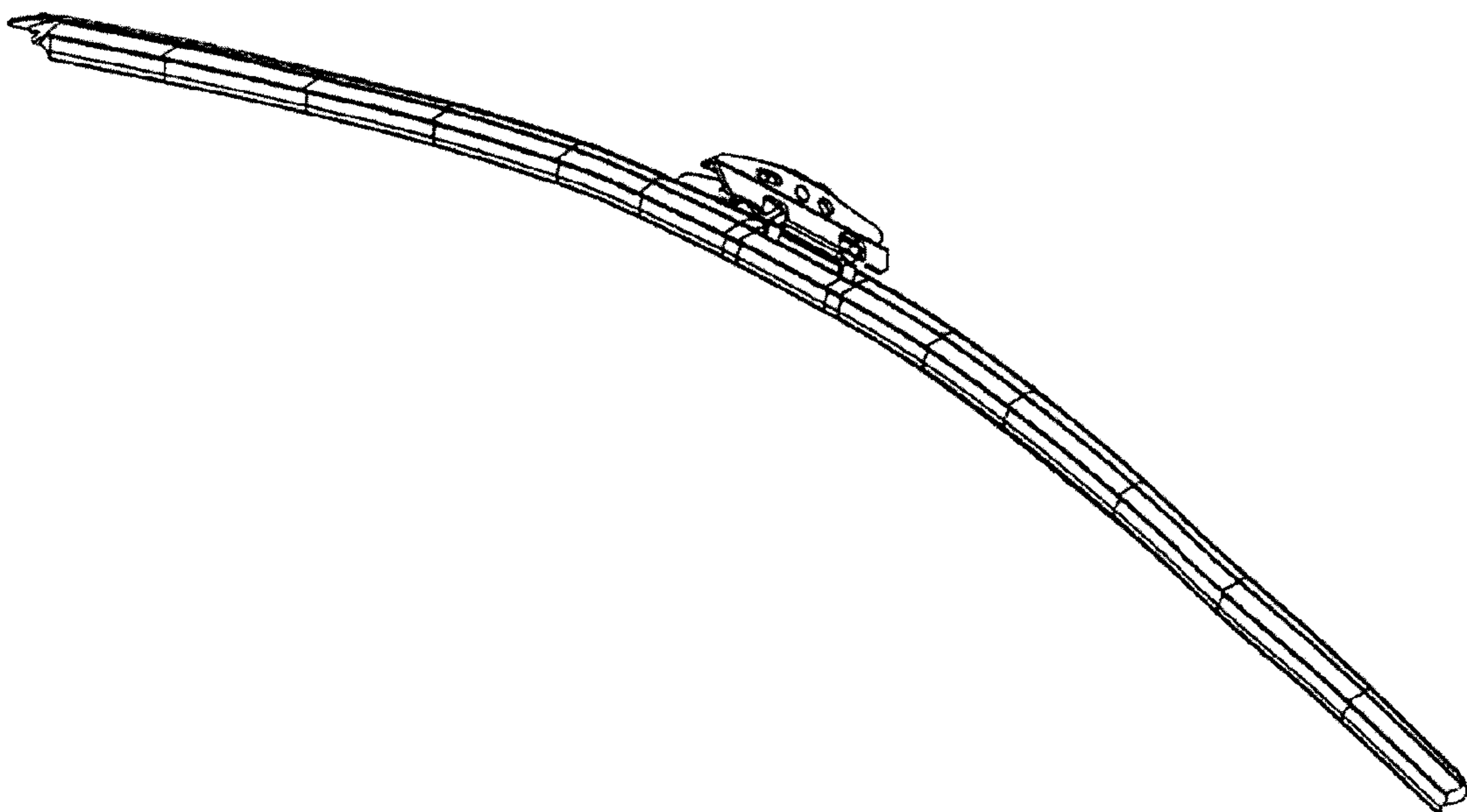


FIG 2.

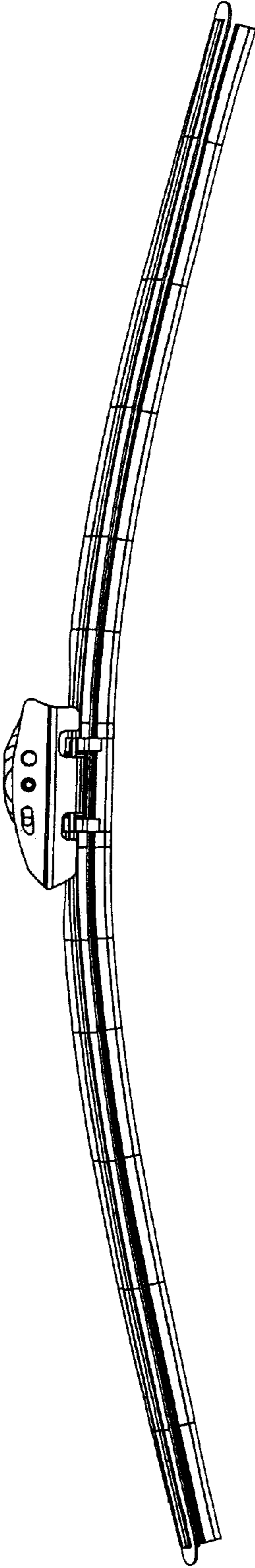


FIG 3.

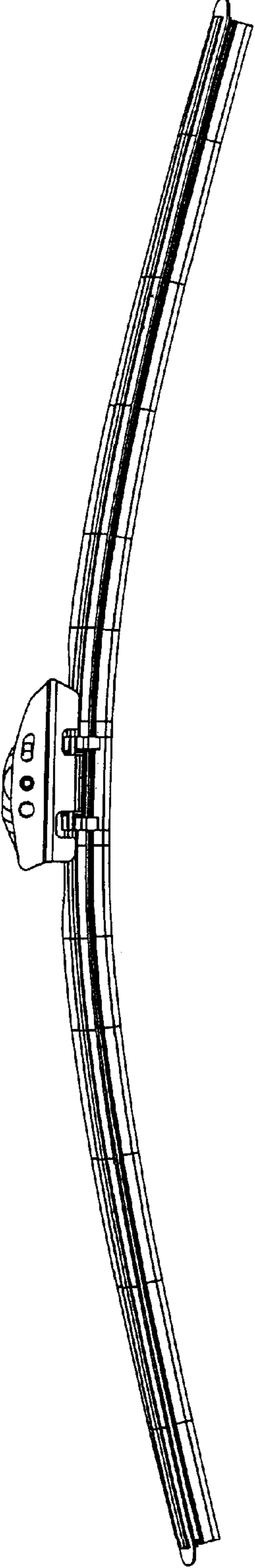


FIG 5.

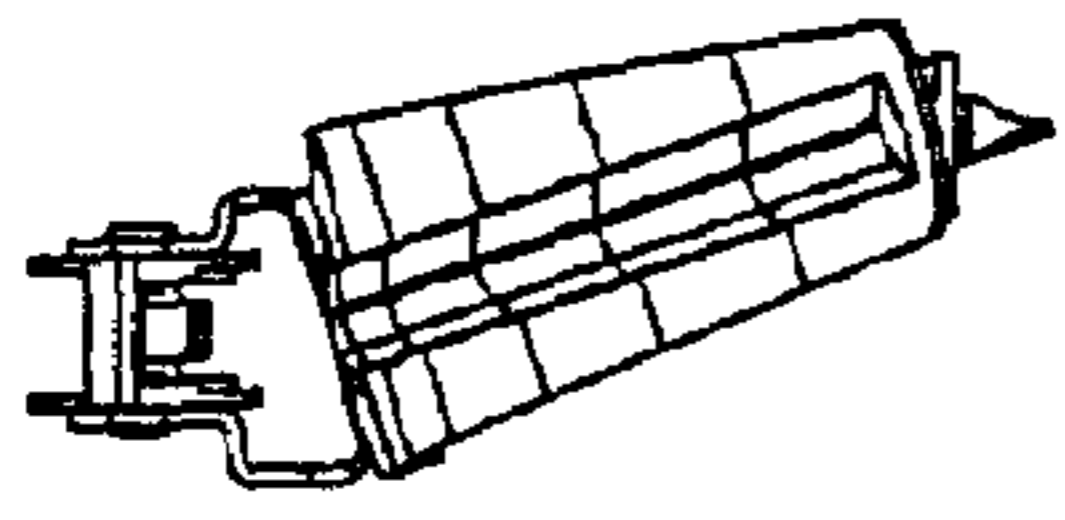


FIG 4.

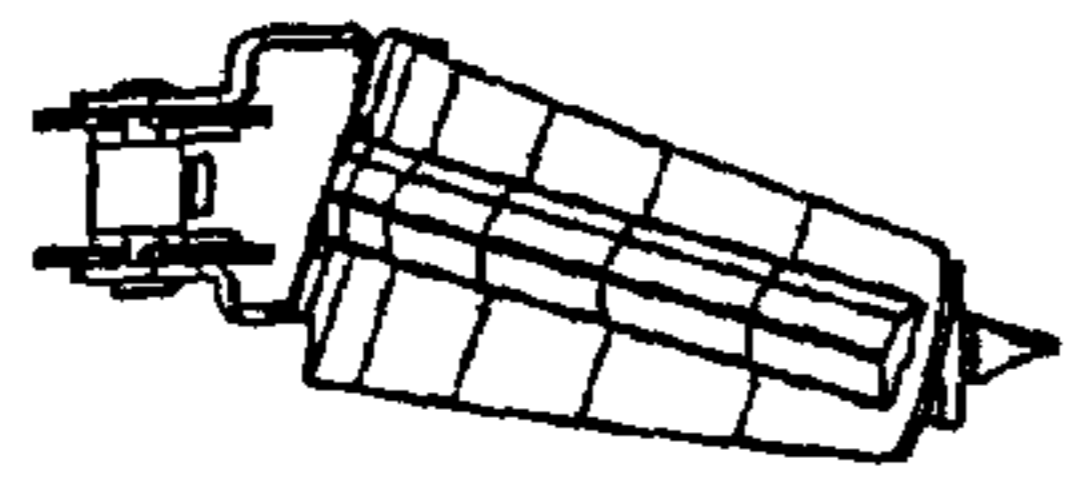


FIG 6.

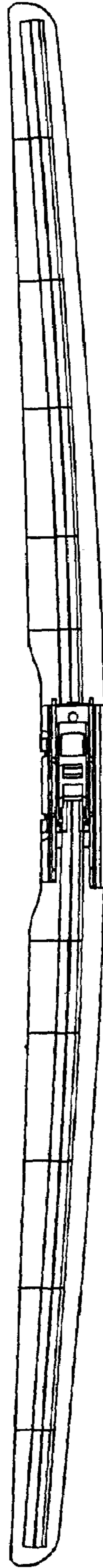


FIG 7.

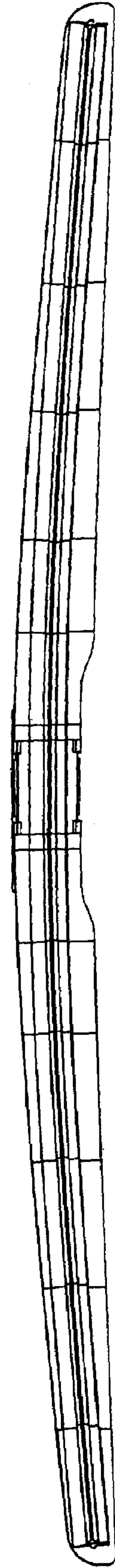


FIG 9.

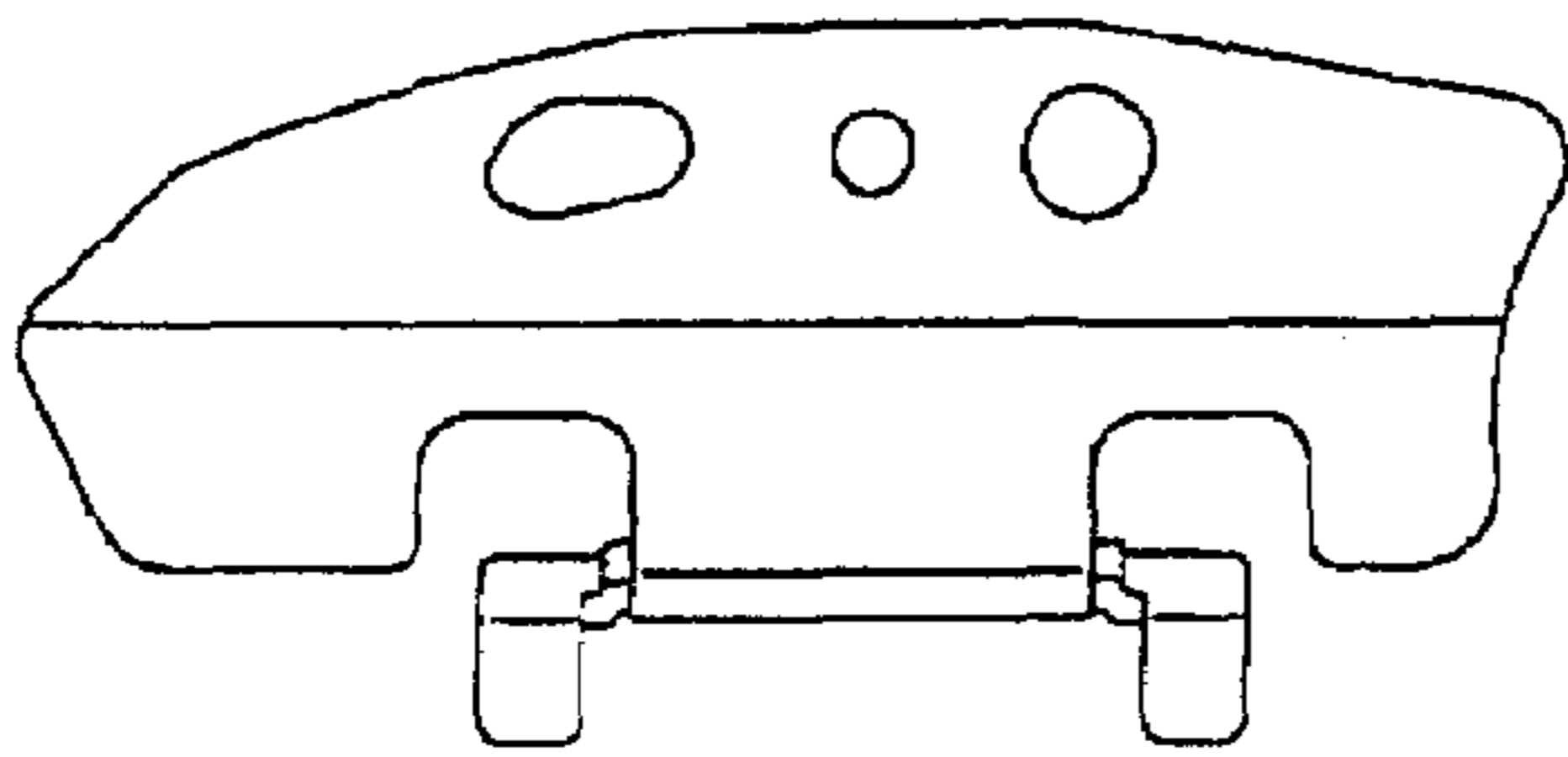


FIG 10.

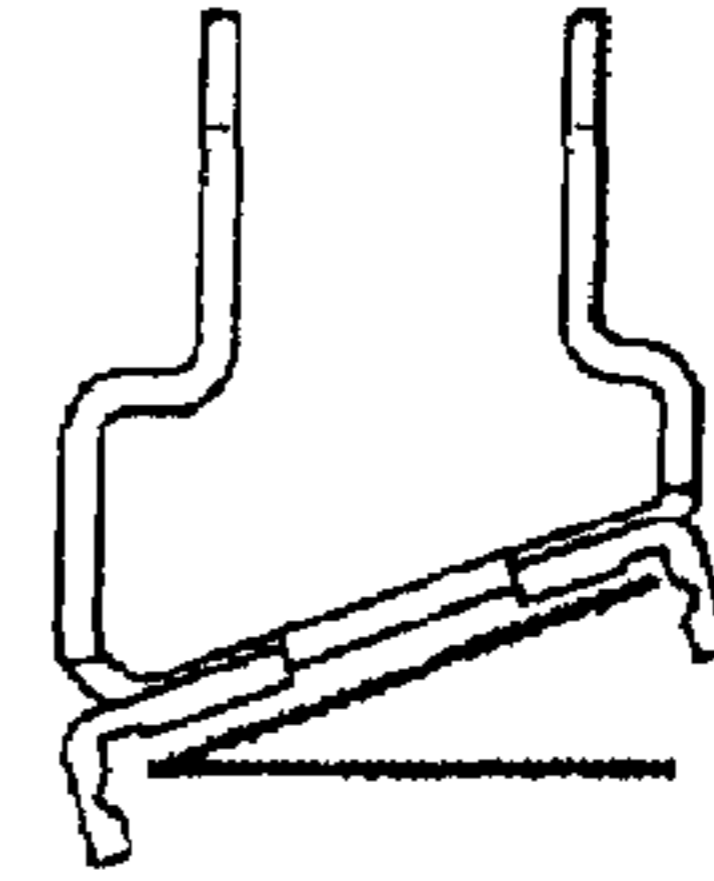


FIG 12.

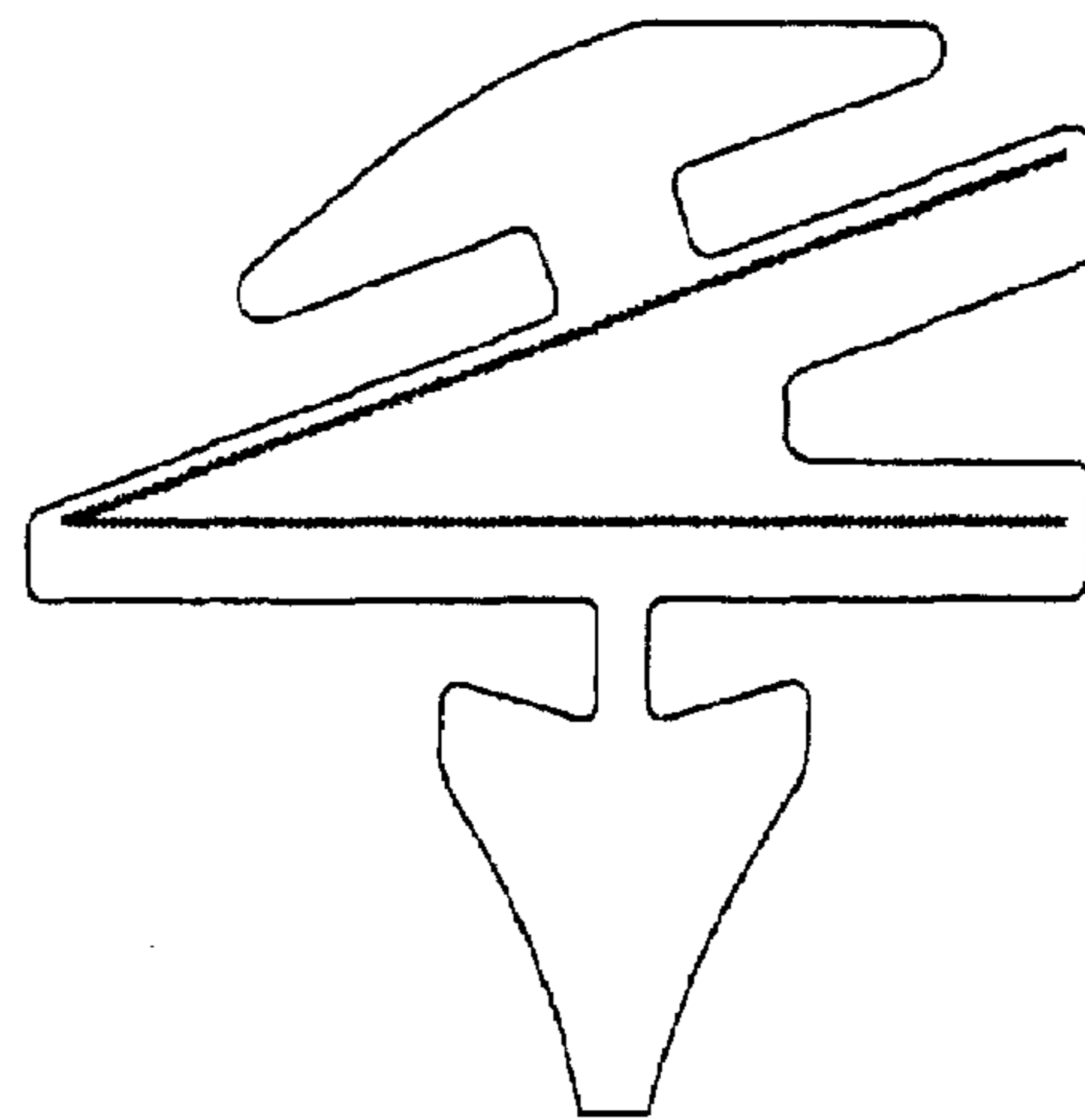


FIG 11.

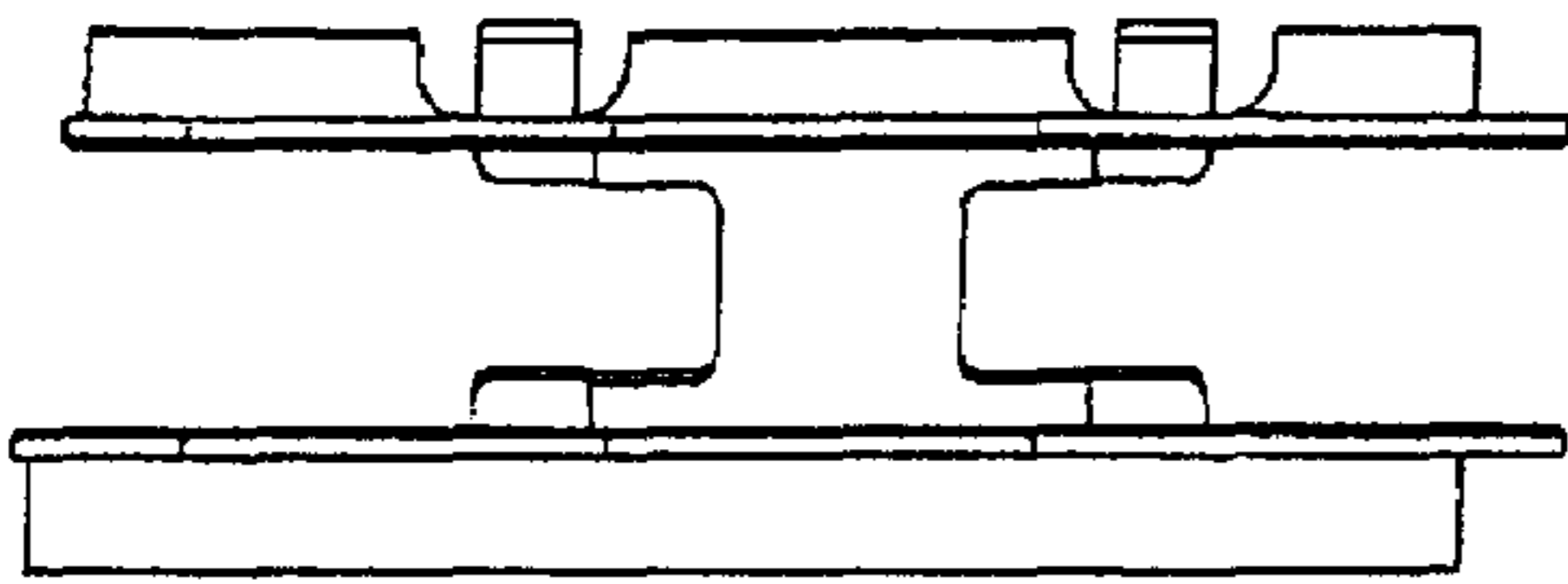


FIG 13.

