



US00D552023S

(12) **United States Design Patent** (10) **Patent No.:** **US D552,023 S**  
**McChesney et al.** (45) **Date of Patent:** **\*\* Oct. 2, 2007**

(54) **AUTOMOTIVE FRONT END**

OTHER PUBLICATIONS

(75) Inventors: **Mark McChesney**, Saline, MI (US);  
**James Kuo**, Farmington Hills, MI  
(US); **Patrick Schiavone**, Birmingham,  
MI (US); **Chelsia Lau**, Ann Arbor, MI  
(US)

<http://www.fordvehicles.com/suvs/explorersporttrac/>, Ford  
Vehicles: 2005 Ford Explorer Sport Trac—See pricing details, SUV  
options, packages and more, 16 pages.

\* cited by examiner

*Primary Examiner*—Melody N. Brown

(73) Assignee: **Ford Global Technologies, LLC**,  
Dearborn, MI (US)

(74) *Attorney, Agent, or Firm*—Frank A. MacKenzie;  
Brooks Kushman P.C.

(\*\*) Term: **14 Years**

(57) **CLAIM**

(21) Appl. No.: **29/225,431**

The ornamental design for an automotive front end, as  
shown and described.

(22) Filed: **Mar. 15, 2005**

**DESCRIPTION**

(51) **LOC (8) Cl.** ..... **12-16**

FIG. 1 is a front end perspective view of a first embodiment  
automotive front end in accordance with the present inven-  
tion;

(52) **U.S. Cl.** ..... **D12/196; D12/164**

FIG. 2 is a front end/right side perspective view of the  
automotive front end of FIG. 1, wherein a front end/left side  
perspective view is a mirror image thereof;

(58) **Field of Classification Search** ..... D12/196,  
D12/86, 90–92, 164; 296/181.1

FIG. 3 is a front end perspective view of a second embodi-  
ment automotive front end in accordance with the present  
invention; and,

See application file for complete search history.

FIG. 4 is a front end/right side perspective view of the  
automotive front end of FIG. 3, wherein a front end/left side  
perspective view is a mirror image thereof.

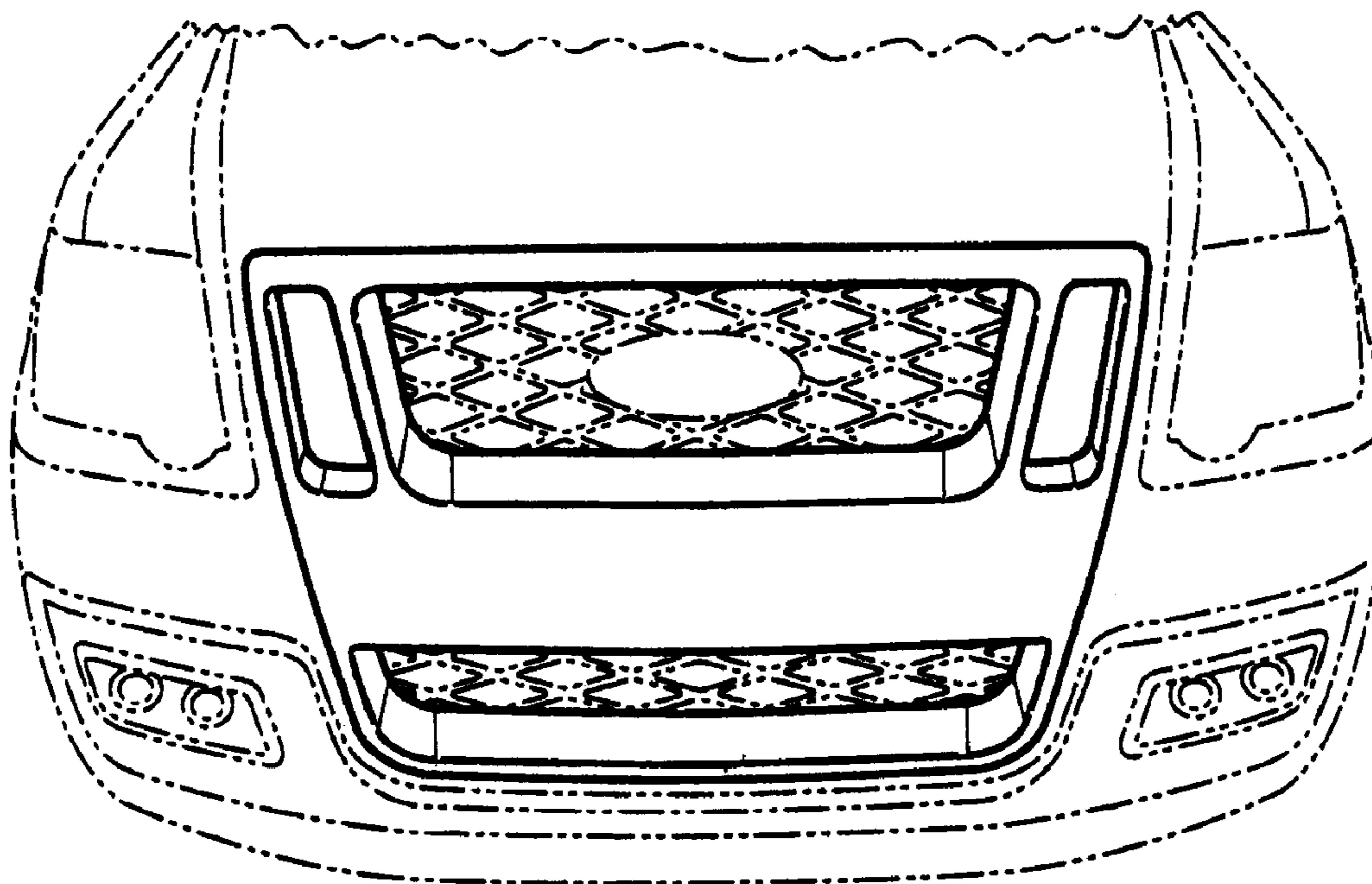
(56) **References Cited**

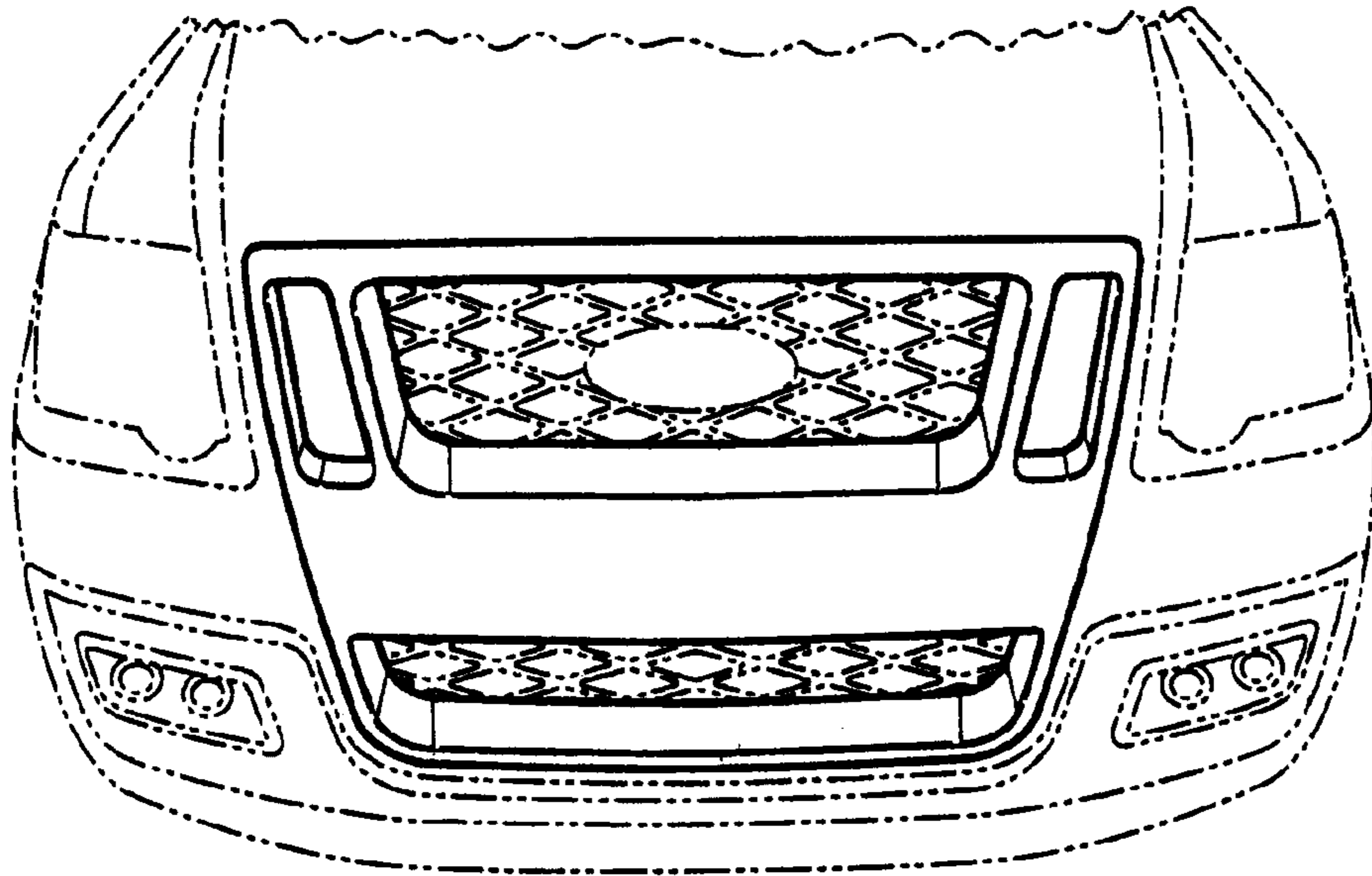
The broken lines are for illustrative purposes only and form  
no part of the claimed design.

**U.S. PATENT DOCUMENTS**

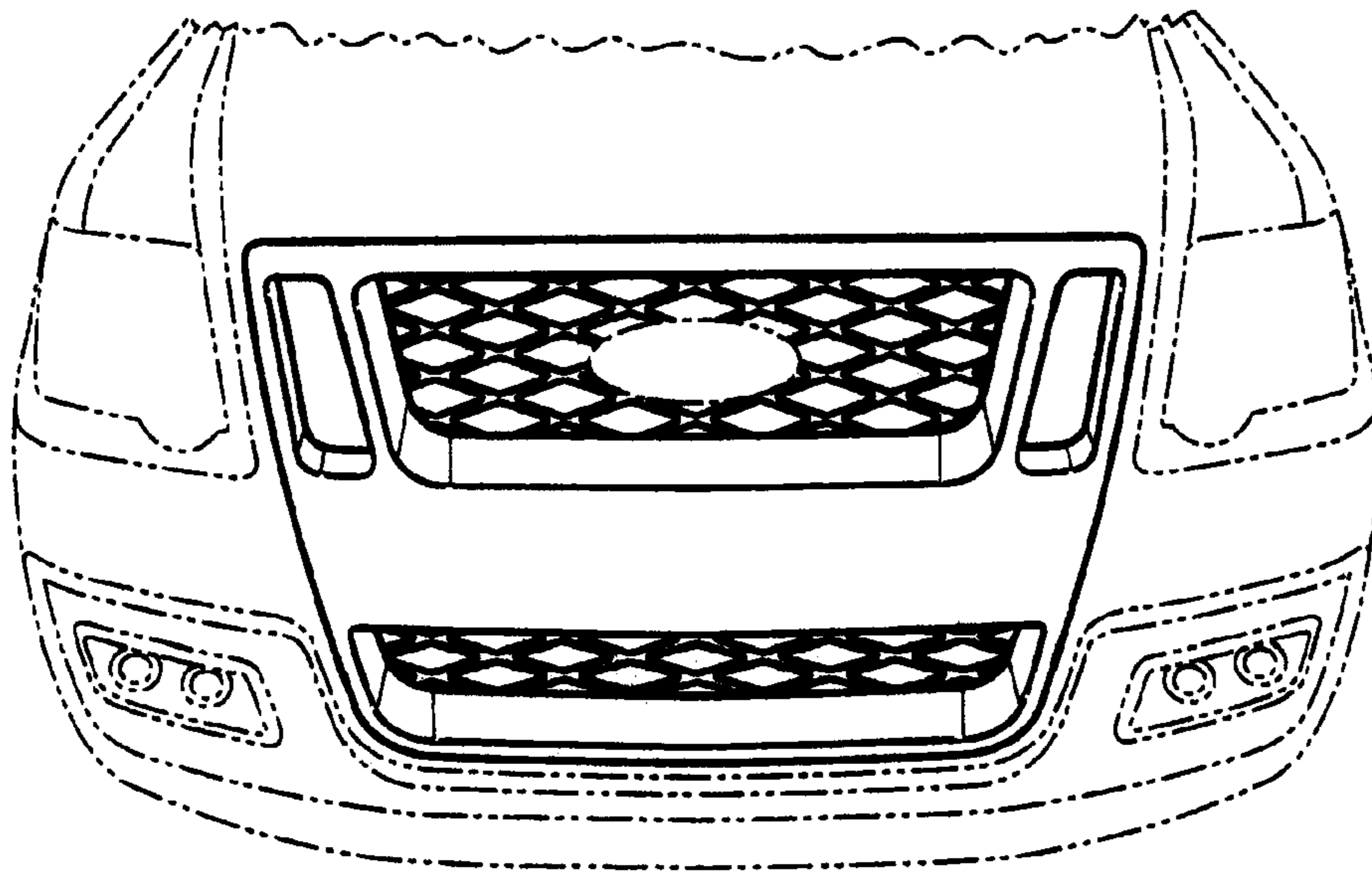
D491,495 S	*	6/2004	Metros et al.	.....	D12/163
D495,979 S	*	9/2004	Metros et al.	.....	D12/163
D497,849 S	*	11/2004	Yanase	.....	D12/163
D535,221 S	*	1/2007	Lau et al.	.....	D12/163
D535,589 S	*	1/2007	Lau et al.	.....	D12/163

**1 Claim, 3 Drawing Sheets**





**FIG - 1**



**FIG - 3**

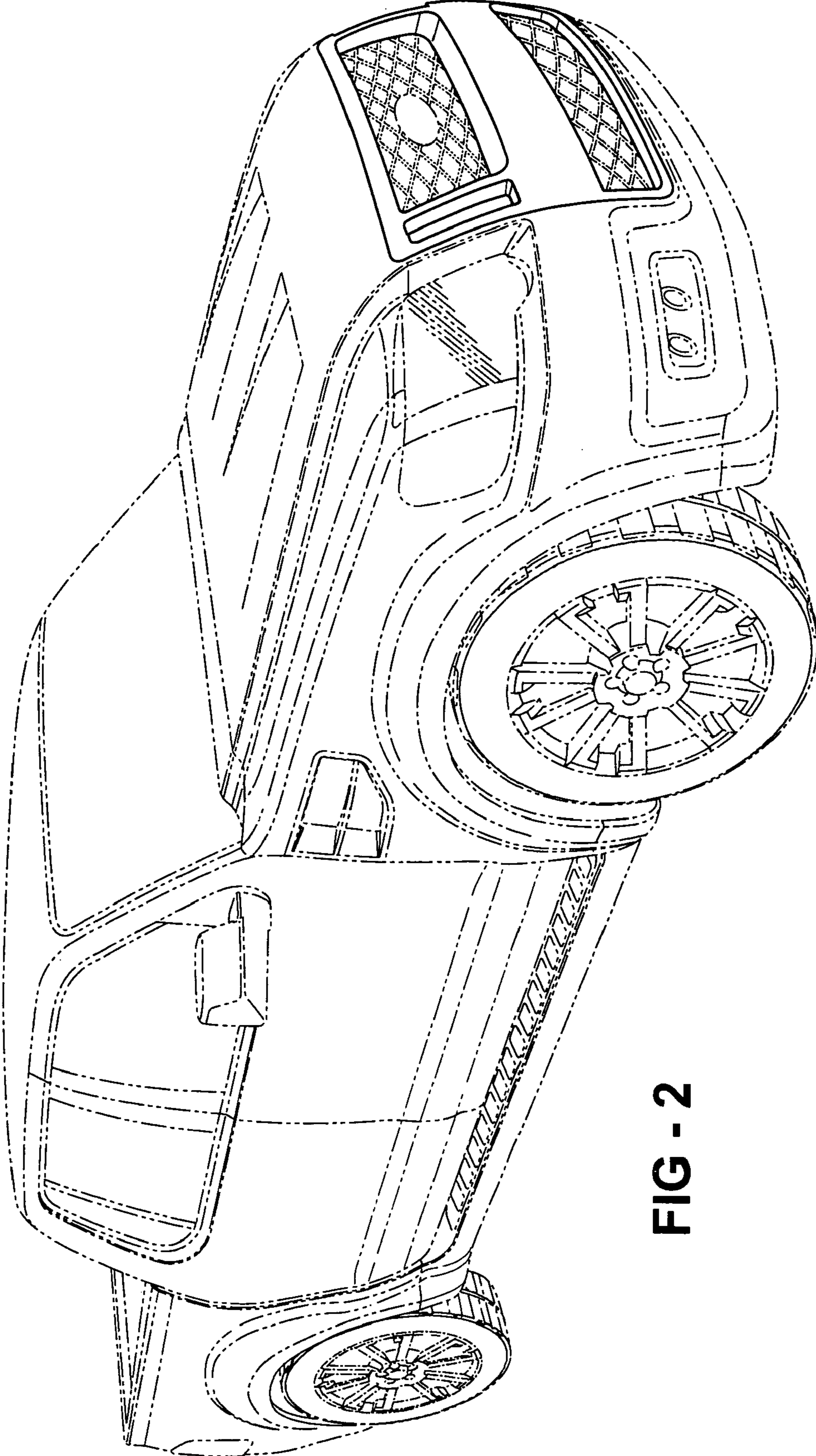


FIG - 2



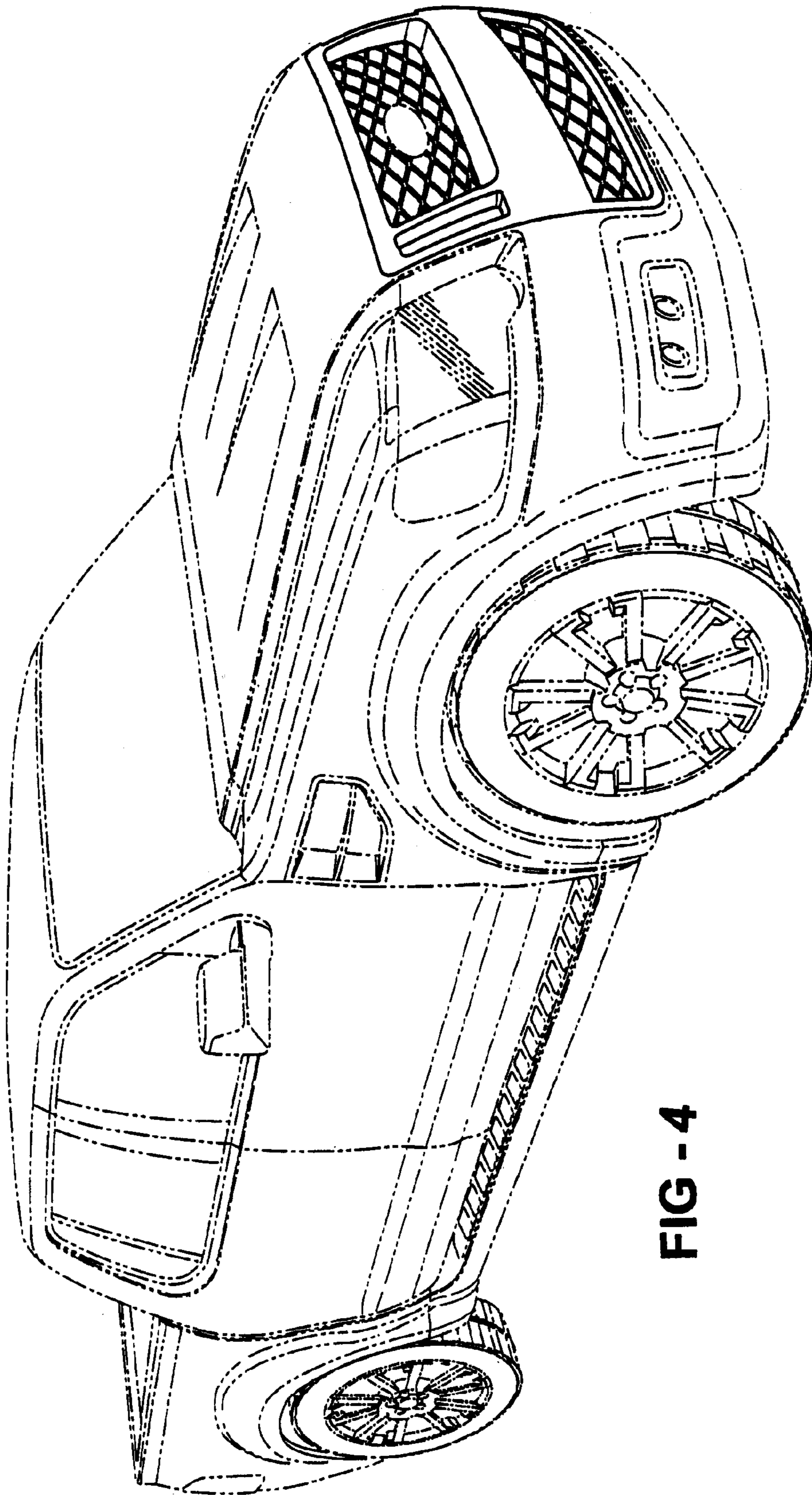


FIG - 4