



US00D552012S

(12) **United States Design Patent**
Barthelmess

(10) **Patent No.:** **US D552,012 S**

(45) **Date of Patent:** **** Oct. 2, 2007**

(54) **ARTIFICIAL PALM TREE ASSEMBLY FOR A PATIO TABLE**

(75) Inventor: **Peter Barthelmess**, Cerritos, CA (US)

(73) Assignee: **Barcana Inc**, Cerritos, CA (US)

(**) Term: **14 Years**

(21) Appl. No.: **29/265,513**

(22) Filed: **Sep. 1, 2006**

Related U.S. Application Data

(62) Division of application No. 29/235,737, filed on Aug. 5, 2005, now Pat. No. Des. 531,539.

(51) **LOC (8) Cl.** **11-04**

(52) **U.S. Cl.** **D11/118; D3/6; D6/587**

(58) **Field of Classification Search** D11/118,
D11/130.1; D3/5, 6; D6/416, 480, 487;
47/40.5; 248/511, 519; 362/123, 567; 135/15.1;
160/53

See application file for complete search history.

(56) **References Cited**

U.S. PATENT DOCUMENTS

1,611,836	A *	12/1926	Kulka	362/123
1,784,090	A *	12/1930	Dahl	47/40.5
1,936,428	A *	11/1933	Friesner	135/15.1
2,080,523	A *	5/1937	Williams et al.	428/18
2,188,529	A *	1/1940	Corina	362/123
2,251,705	A *	8/1941	Gonzalez	428/18
2,455,288	A *	11/1948	Alvarez	D3/5
D159,609	S *	8/1950	Goldberg	D6/487
2,841,901	A *	7/1958	Maple	428/20
2,851,807	A *	9/1958	Taylor	428/19
3,073,558	A *	1/1963	De Klotz	47/40.5
3,679,528	A *	7/1972	Spiegel	428/18
D225,498	S *	12/1972	Norton	D11/130.1

D278,891	S *	5/1985	Levin	D11/130.1
4,920,897	A *	5/1990	Reed et al.	D6/416
5,085,900	A *	2/1992	Hamlett	428/18
5,091,227	A *	2/1992	Wright et al.	428/18
D343,318	S *	1/1994	Curitti	D11/118
D353,788	S *	12/1994	Frost et al.	D11/130.1
D370,556	S *	6/1996	Yu	D3/5
D383,900	S *	9/1997	Bart	D3/6
D390,157	S *	2/1998	Burnett	D11/118
5,713,554	A *	2/1998	Lai	248/519
D396,018	S *	7/1998	Stover et al.	D11/118
D401,886	S *	12/1998	Burnett	D11/118
5,869,151	A *	2/1999	Chong	428/18
6,234,443	B1 *	5/2001	Tsai et al.	248/519
6,250,322	B1 *	6/2001	Porter	135/15.1
6,318,876	B1 *	11/2001	Sigro et al.	362/122
6,571,814	B2 *	6/2003	You	135/15.1
6,599,591	B1 *	7/2003	Scott	428/18
D503,357	S *	3/2005	Tsai	D11/130.1
6,883,951	B2 *	4/2005	Wu	362/567
6,951,405	B2 *	10/2005	Yao	362/123
D517,353	S *	3/2006	Carter	D6/480

* cited by examiner

Primary Examiner—Dominic Simone

(74) *Attorney, Agent, or Firm*—Richard B. Klar; Law Office of Richard B. Klar

(57) **CLAIM**

The ornamental design for an artificial palm tree assembly for a patio table, as shown and described.

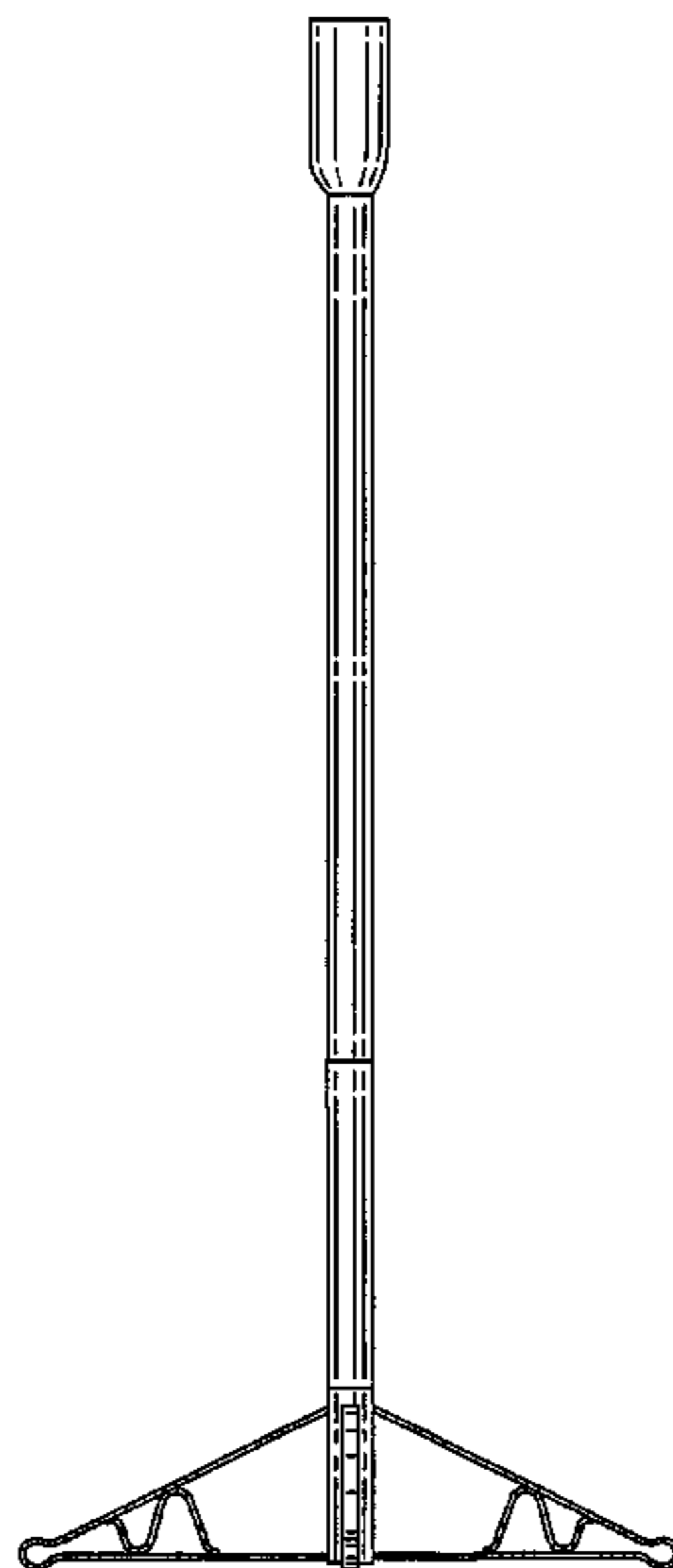
DESCRIPTION

FIG. 1 is a front elevational view of an artificial palm tree assembly for a patio table, showing my new design, the rear and sides being identical;

FIG. 2 is a top plan view thereof; and,

FIG. 3 is a bottom plan view thereof.

1 Claim, 1 Drawing Sheet



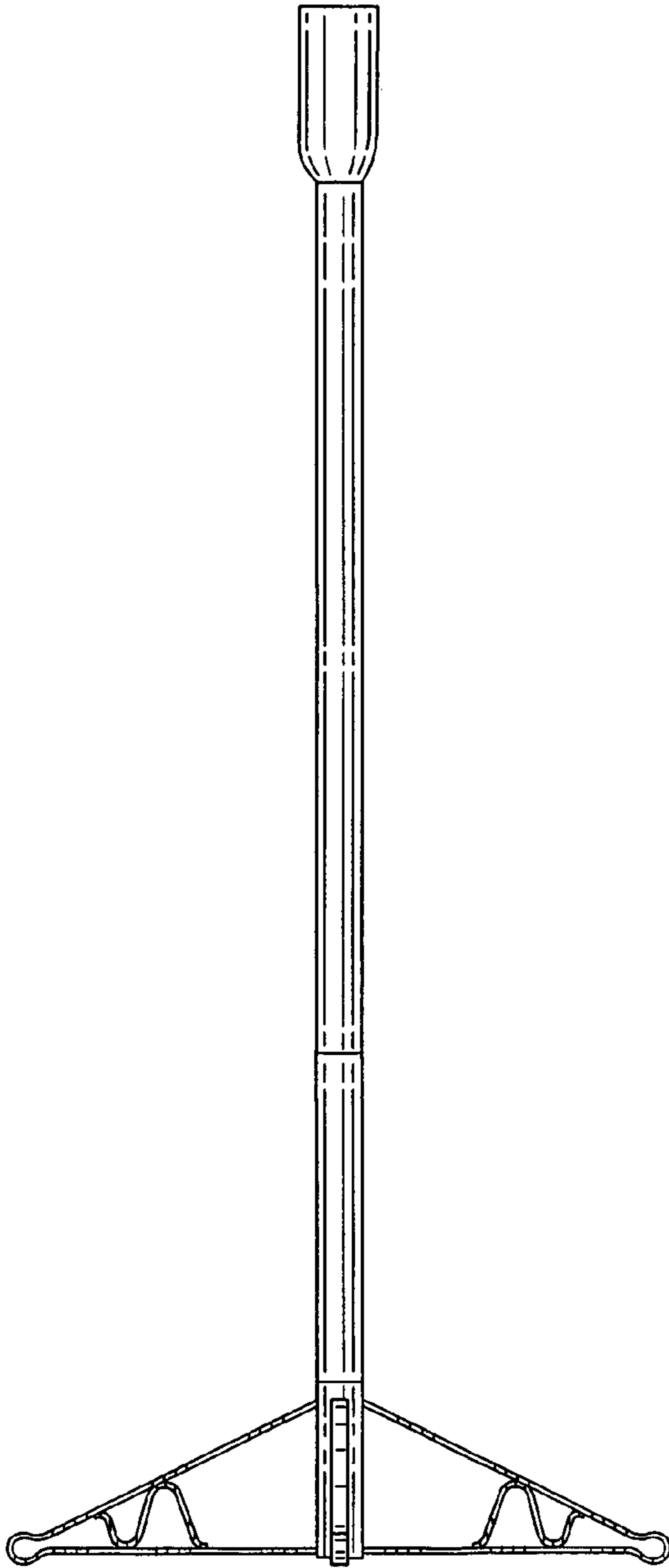


FIG. 1

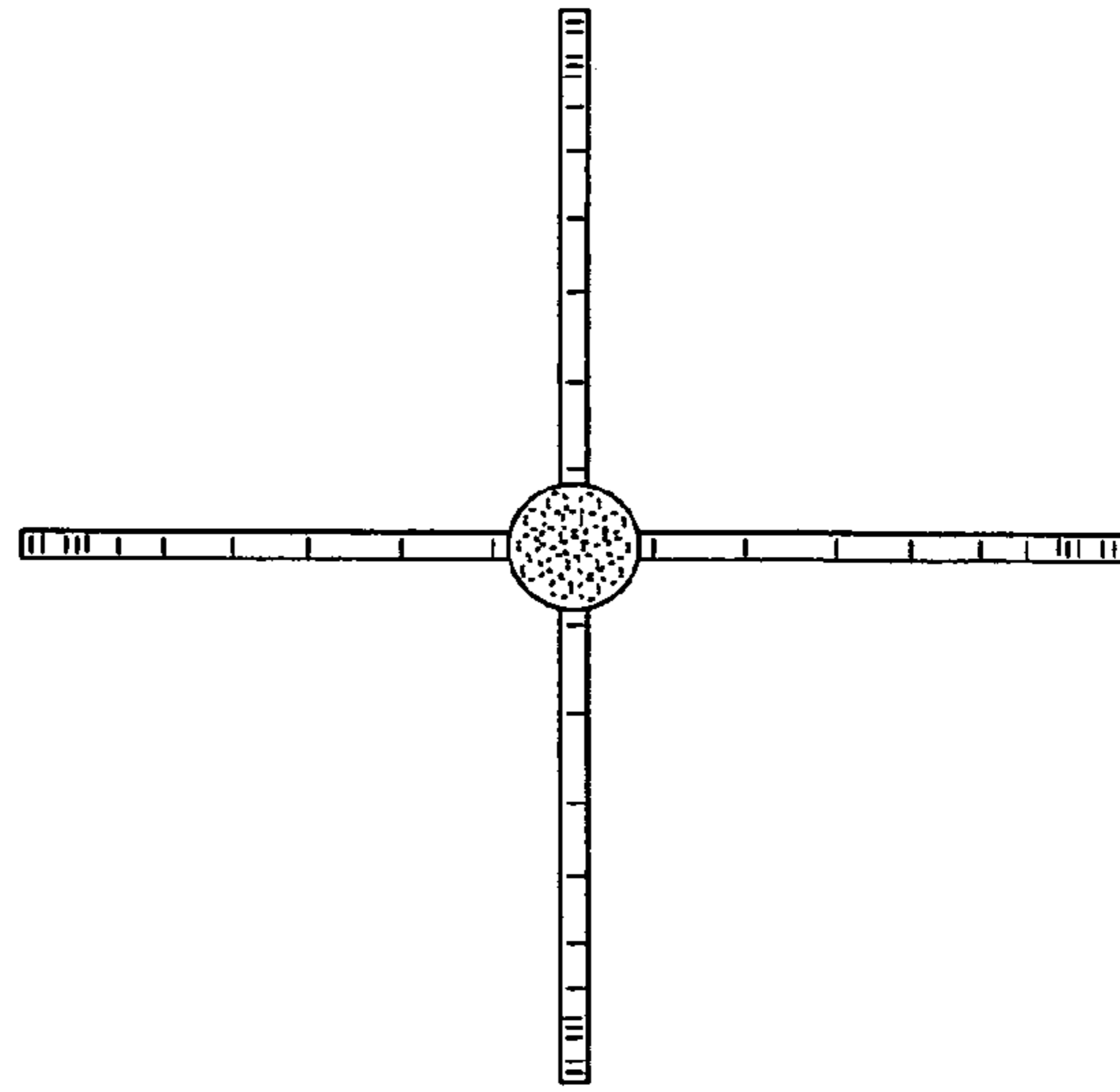


FIG. 2

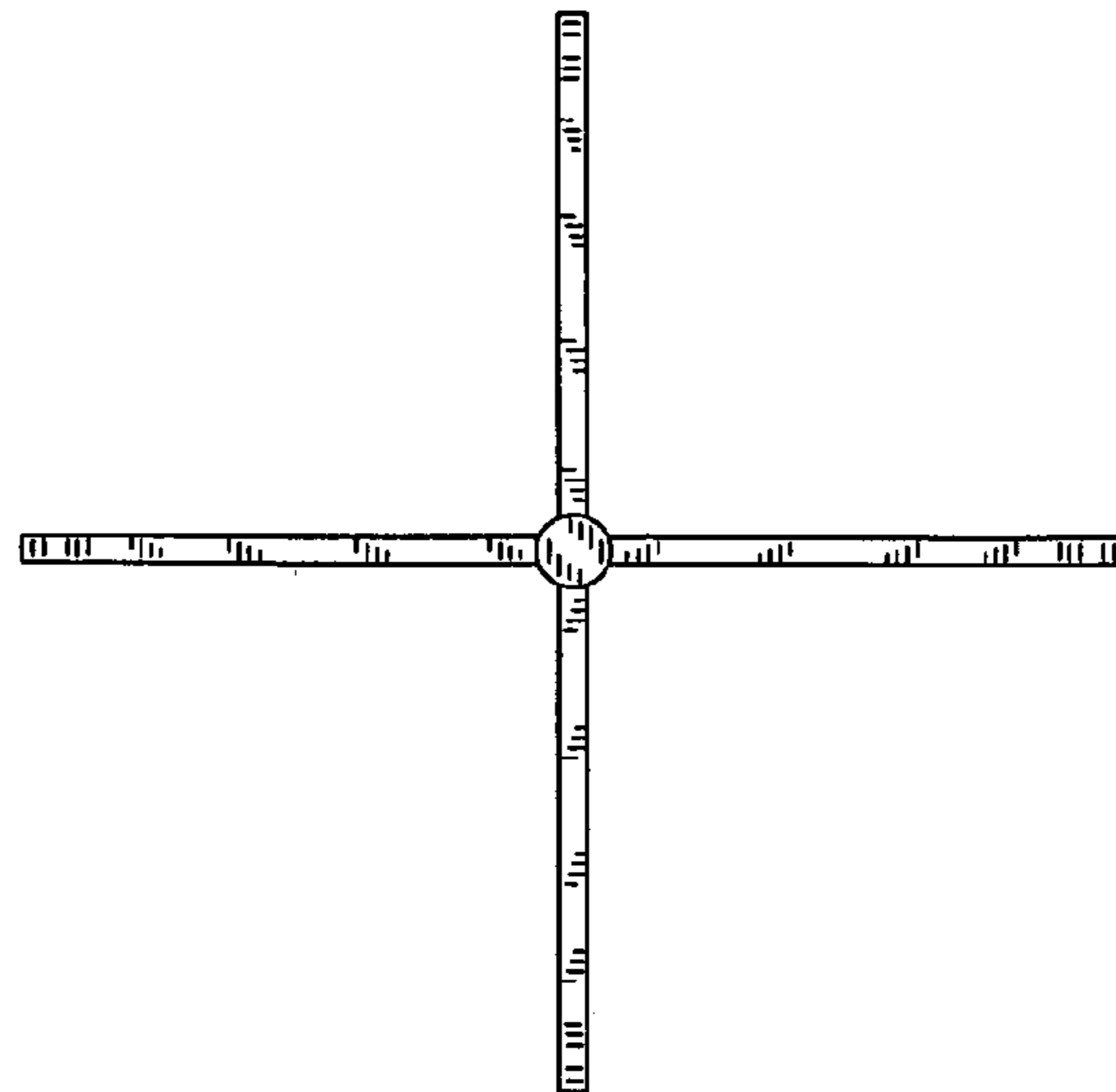


FIG. 3