



US00D552002S

(12) **United States Design Patent** (10) **Patent No.:** **US D552,002 S**
Eisler (45) **Date of Patent:** **** Oct. 2, 2007**

(54) **TRANSPARENT AND TRANSLUCENT TIMEPIECE DIAL**

(76) Inventor: **Jeremy Eisler**, P.O. Box 1183, Ocean Springs, MS (US) 39566

(**) Term: **14 Years**

(21) Appl. No.: **29/244,974**

(22) Filed: **Dec. 16, 2005**

(51) **LOC (8) Cl.** **10-07**

(52) **U.S. Cl.** **D10/126**

(58) **Field of Classification Search** D10/123-126,
D10/129, 1-39; 368/223, 228, 229, 231,
368/232, 233, 234, 235, 285, 276, 281-283,
368/318

See application file for complete search history.

(56) **References Cited**

U.S. PATENT DOCUMENTS

D181,620 S * 12/1957 Bloch D10/124

(Continued)

Primary Examiner—Lucy Lieberman

(74) *Attorney, Agent, or Firm*—Quick Patents, Inc.; Kevin Prince

(57) **CLAIM**

The ornamental design for a transparent and translucent timepiece dial, as shown and described.

DESCRIPTION

FIG. 1 is a front elevation of a transparent and translucent timepiece dial showing my new design;

FIG. 2 is a front elevation shown in an alternate position;
FIG. 3 is a front elevation shown in another alternate position;

FIG. 4 is a front elevation shown in another alternate position;

FIG. 5 is an enlarged cross sectional view taken along line 5—5 in FIG. 1;

FIG. 6 is a front elevation of FIG. 4 shown with an unclaimed watchcase in broken lines;

FIG. 7 is a front elevation of FIG. 4 shown with different unclaimed environment;

FIG. 8 is an enlarged perspective view of the transparent and translucent timepiece dial shown in another position;

FIG. 9 is a front elevation of a second embodiment of the transparent and translucent timepiece dial;

FIG. 10 is a front elevation of the second embodiment shown in an alternate position;

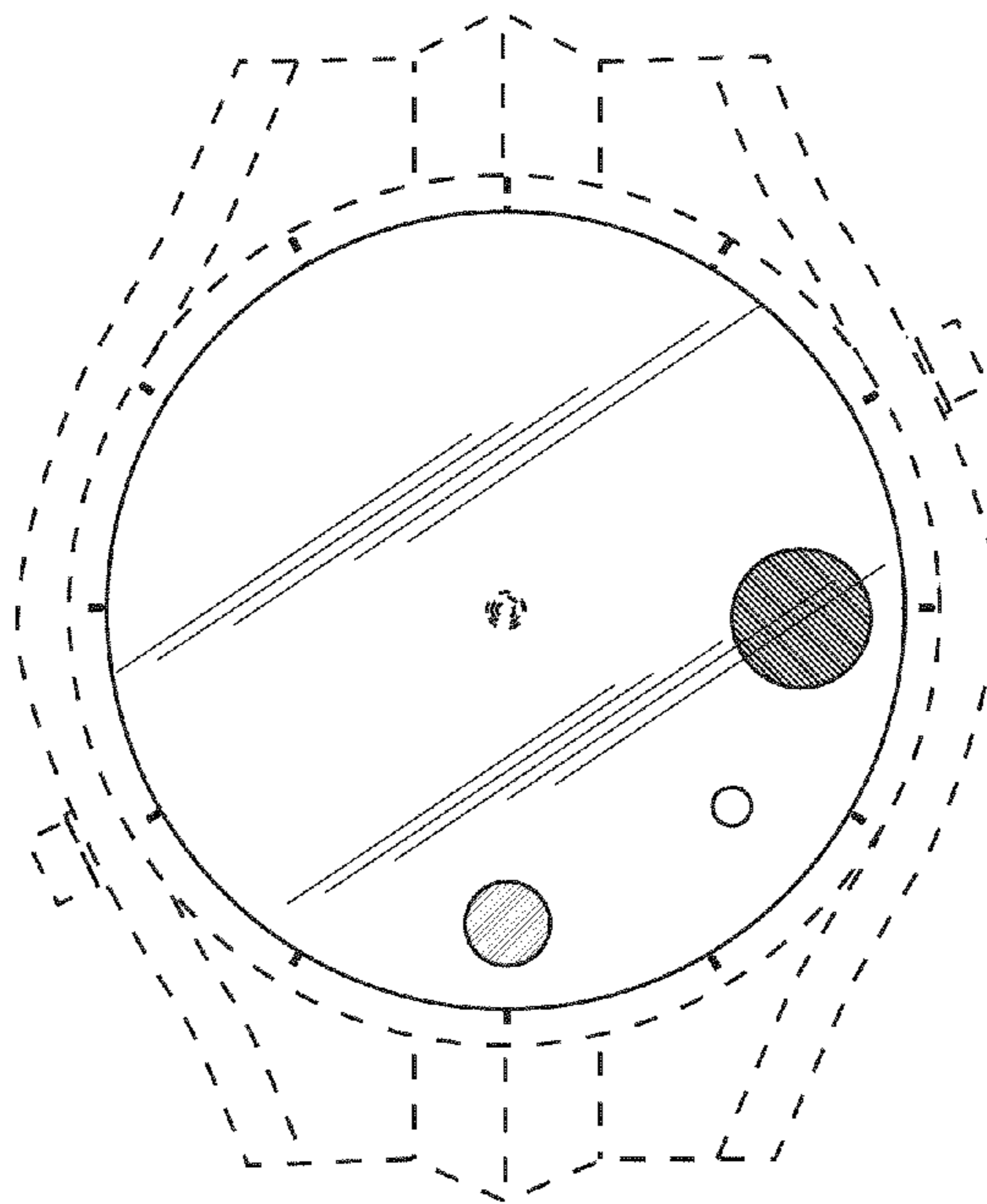
FIG. 11 is a front elevation of the second embodiment shown in an alternate position;

FIG. 12 is an enlarged cross sectional view taken along line 12—12 in FIG. 9; and,

FIG. 13 is a perspective view of the second embodiment shown in an alternate position.

The broken lines in the drawings are for illustrative purposes only and form no part of the claimed design. Two of the three circular elements on the face of the timepiece dial are lined to indicate contrasting translucent colors. The smallest circular element on the face of the timepiece dial is stippled to indicate a contrasting translucent color. The views in the drawings are shown drawn on different scales.

1 Claim, 3 Drawing Sheets



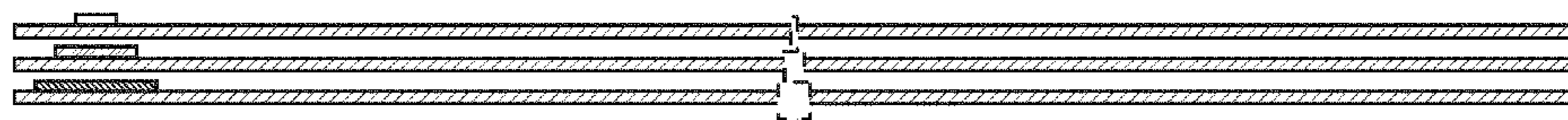
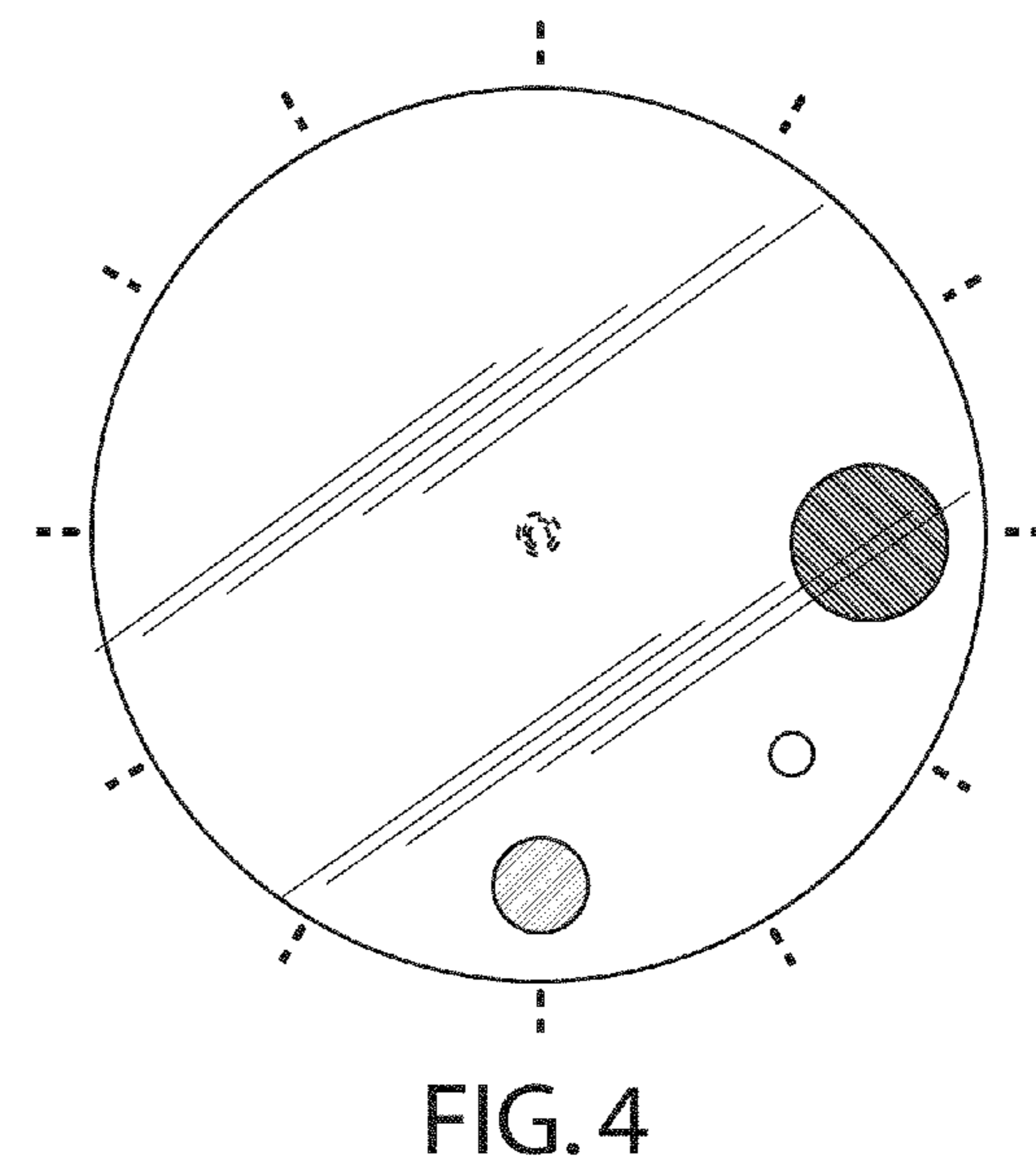
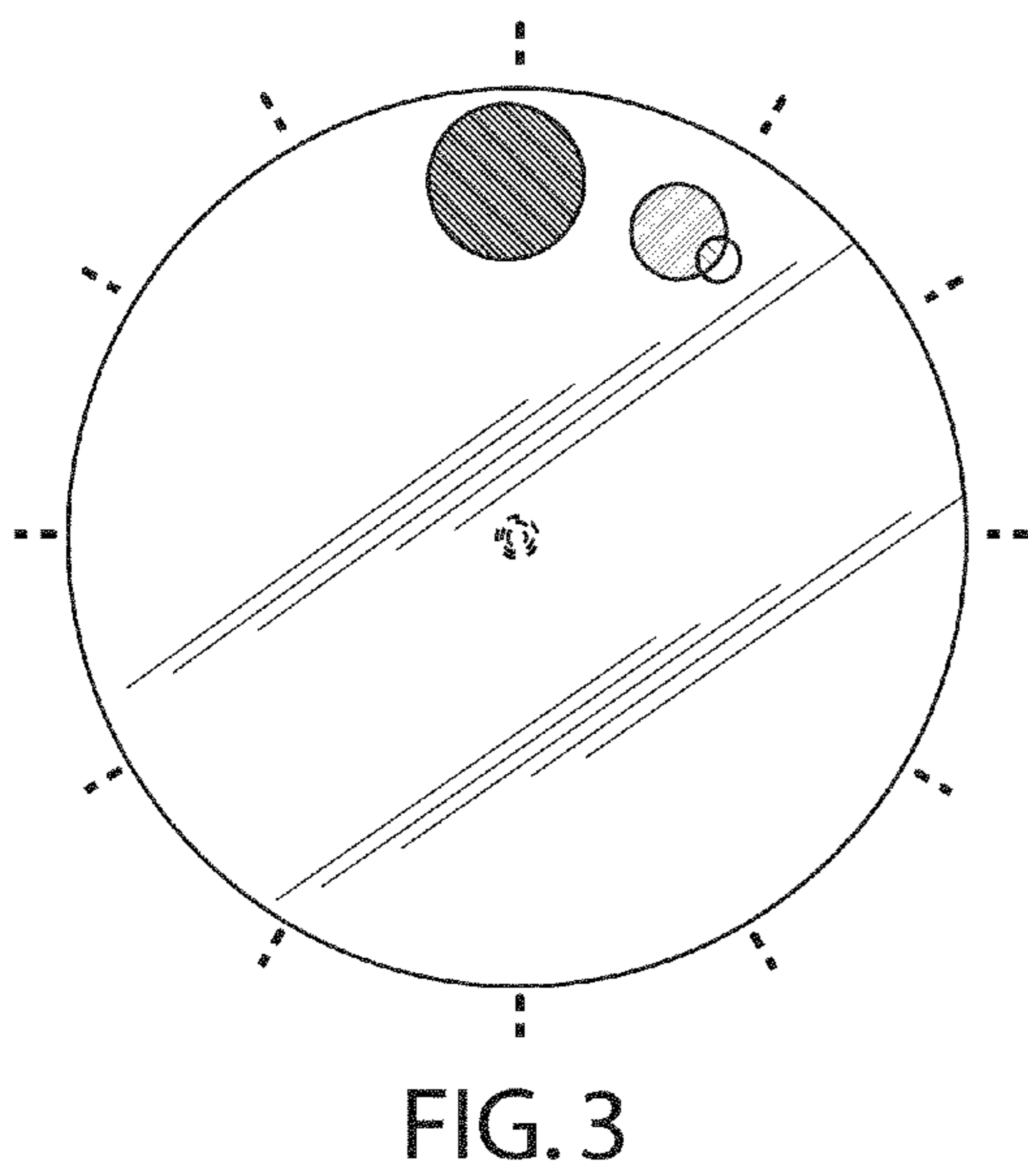
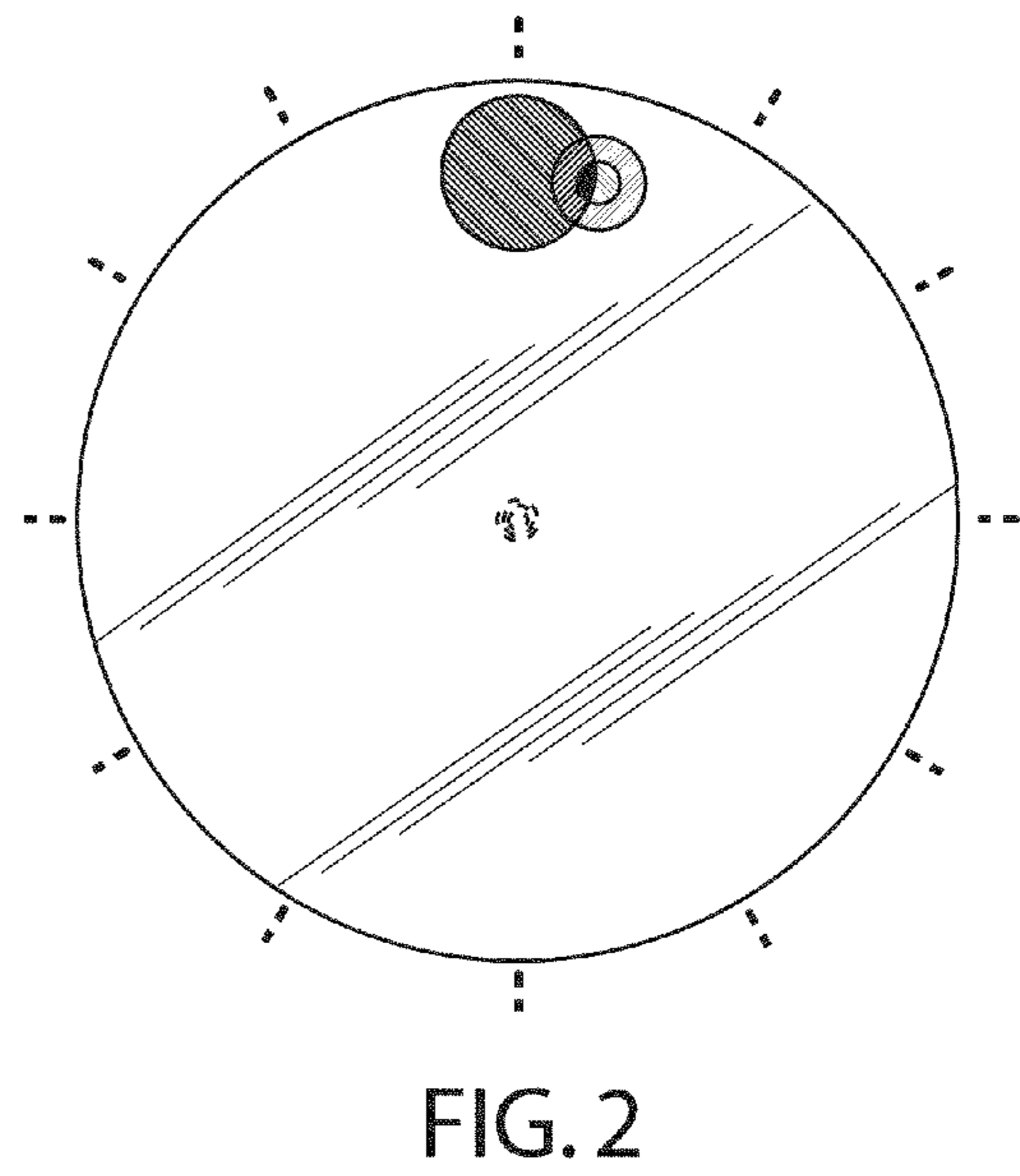
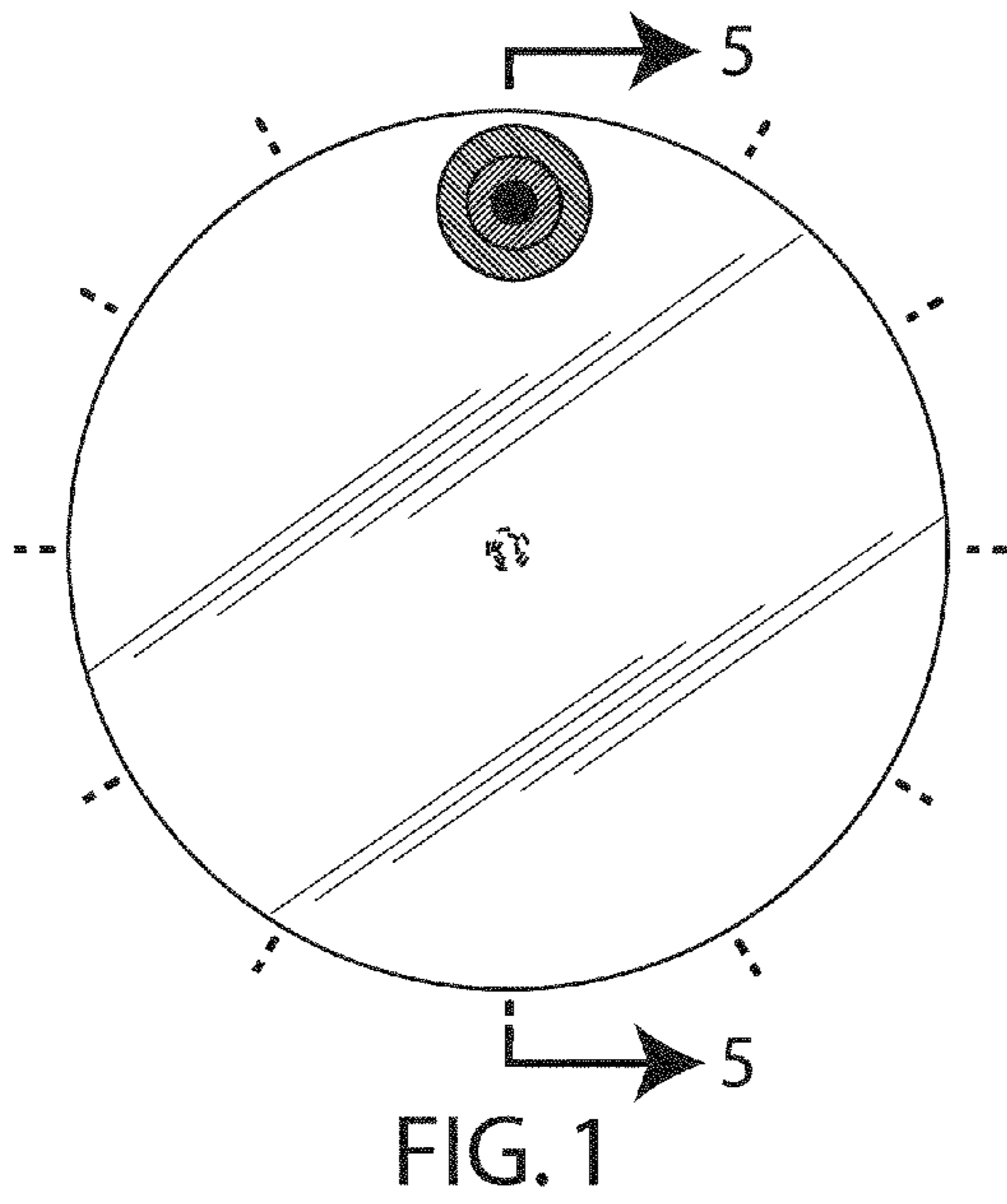
US D552,002 S

Page 2

U.S. PATENT DOCUMENTS

D183,488	S *	9/1958	Horwitt	D10/124	5,586,089	A *	12/1996	McGarvey	368/223
3,595,009	A *	7/1971	Pakter et al.	368/80	D377,626	S *	1/1997	Svast	D10/126
D224,550	S *	8/1972	Fainsilber	D10/22	D380,975	S *	7/1997	Luchun	D10/126
3,777,475	A *	12/1973	Grossan	368/223	5,943,300	A *	8/1999	Johnson	368/77
D230,052	S *	1/1974	Fukumoto	D10/126	D413,813	S *	9/1999	Butler	D10/22
3,798,892	A *	3/1974	Lukens	368/77	D415,695	S *	10/1999	Perkins	D10/30
D285,908	S *	9/1986	Maron	D10/30	D483,684	S *	12/2003	Kahil et al.	D10/126
D286,754	S *	11/1986	Manfredi	D10/39	7,061,833	B2 *	6/2006	Dierenbach	368/76
D302,664	S *	8/1989	Dawson, Jr.	D10/38	D535,207	S *	1/2007	Skaggs	D10/126
5,088,440	A *	2/1992	Keaney	116/298						

* cited by examiner



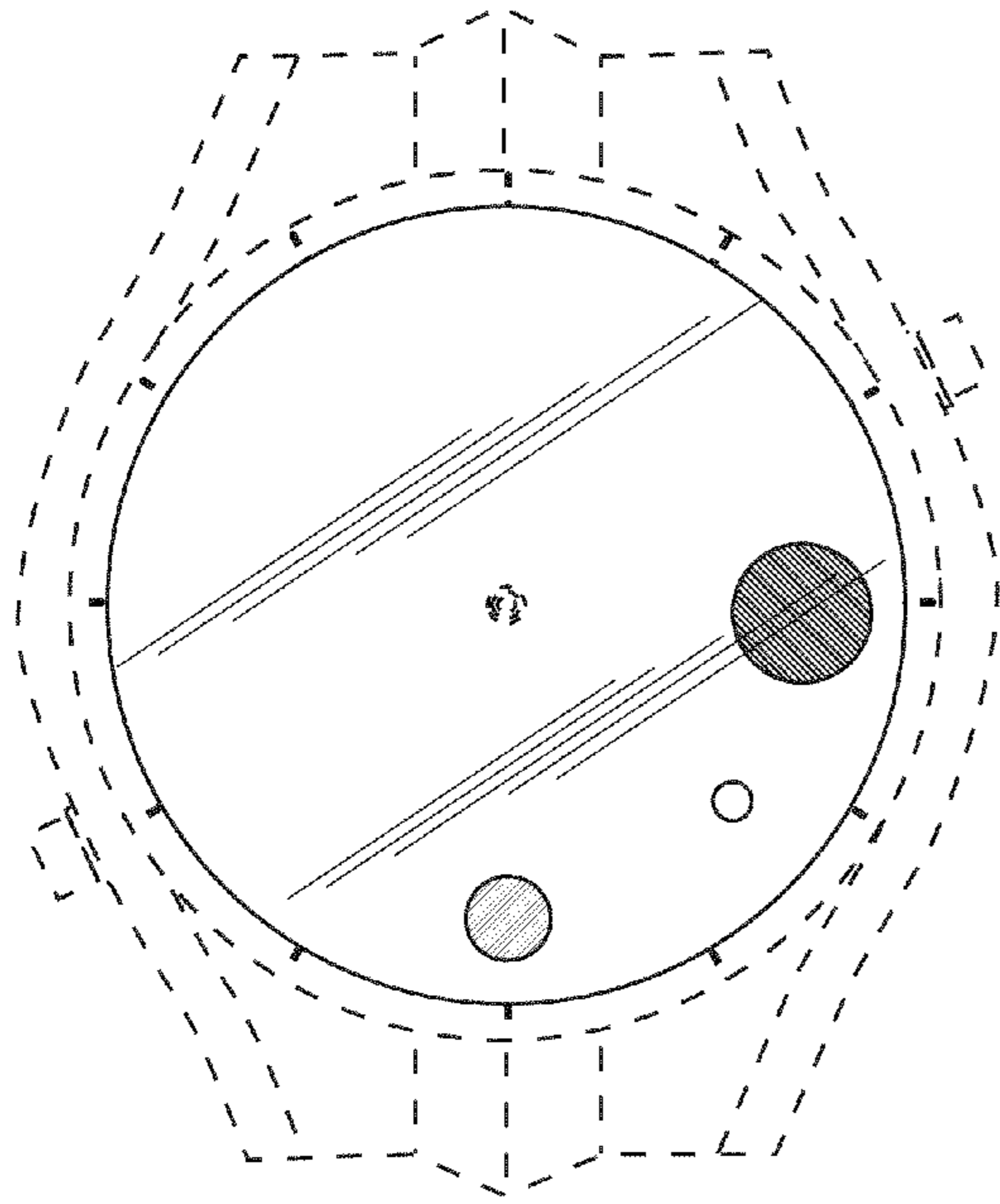


FIG. 6

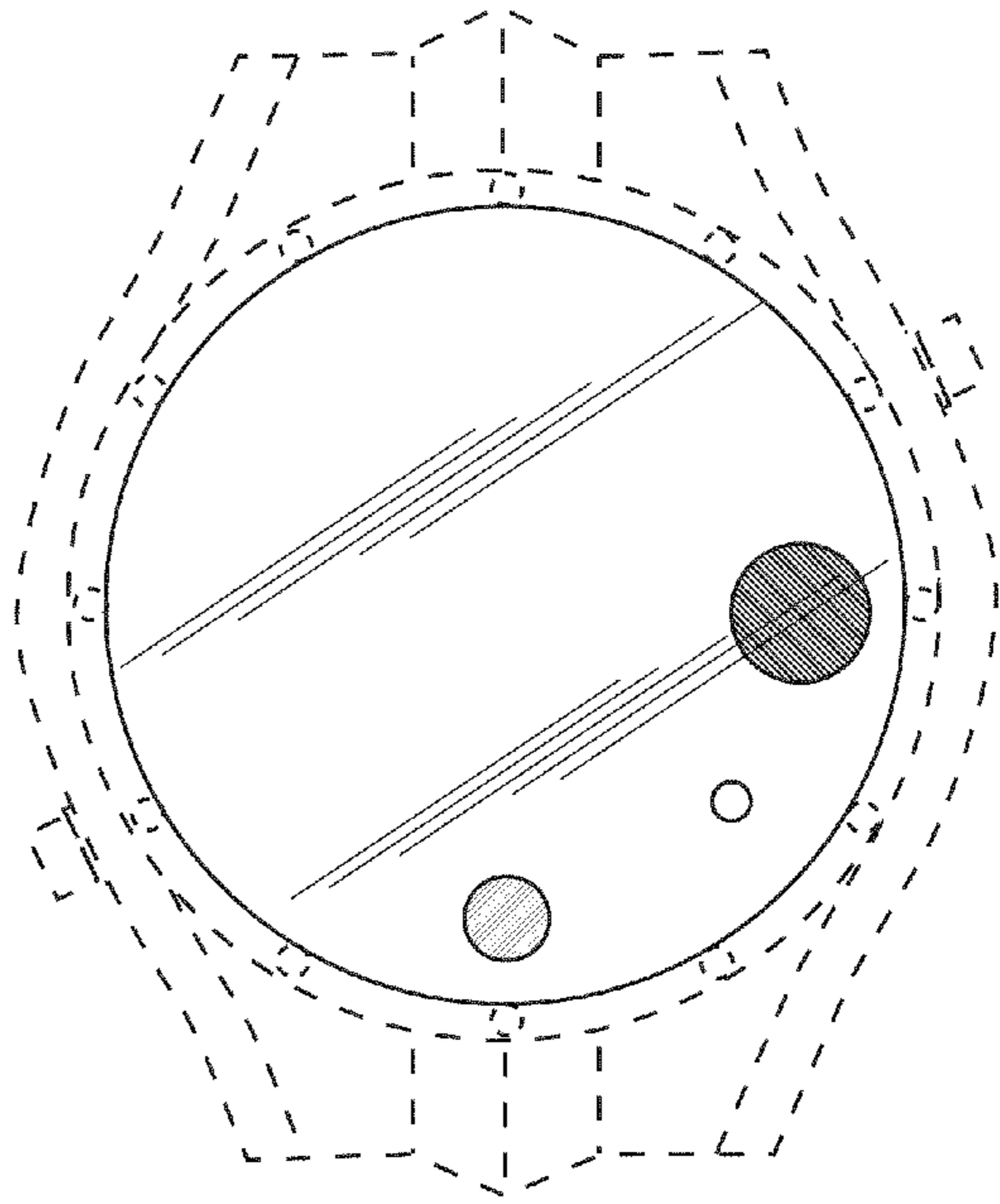


FIG. 7

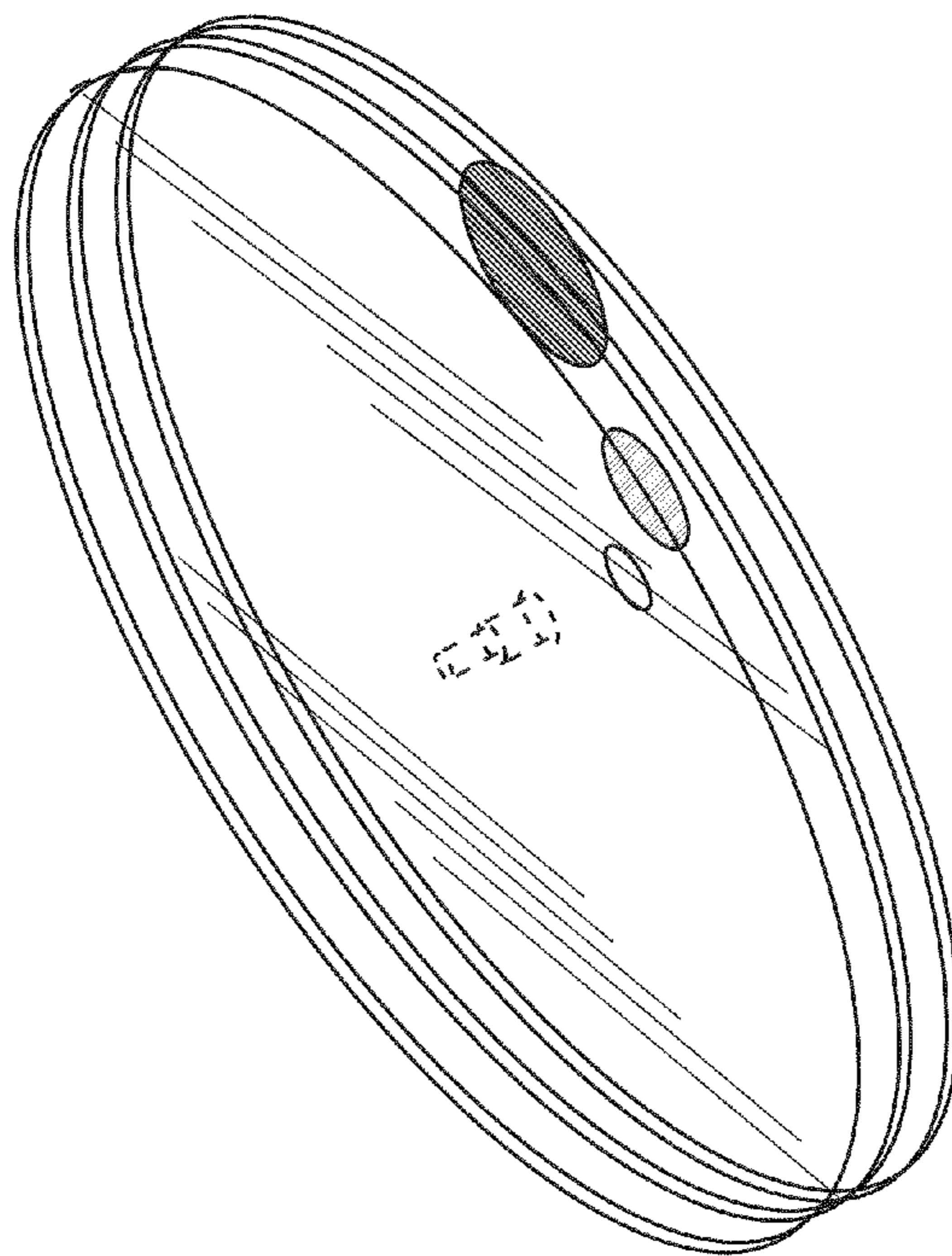


FIG. 8

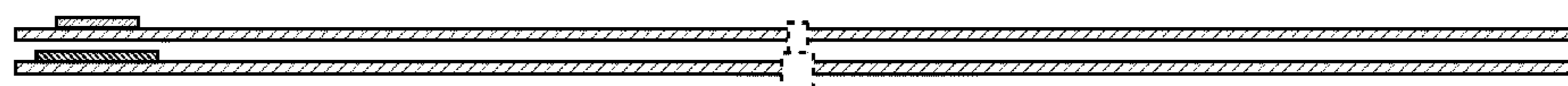
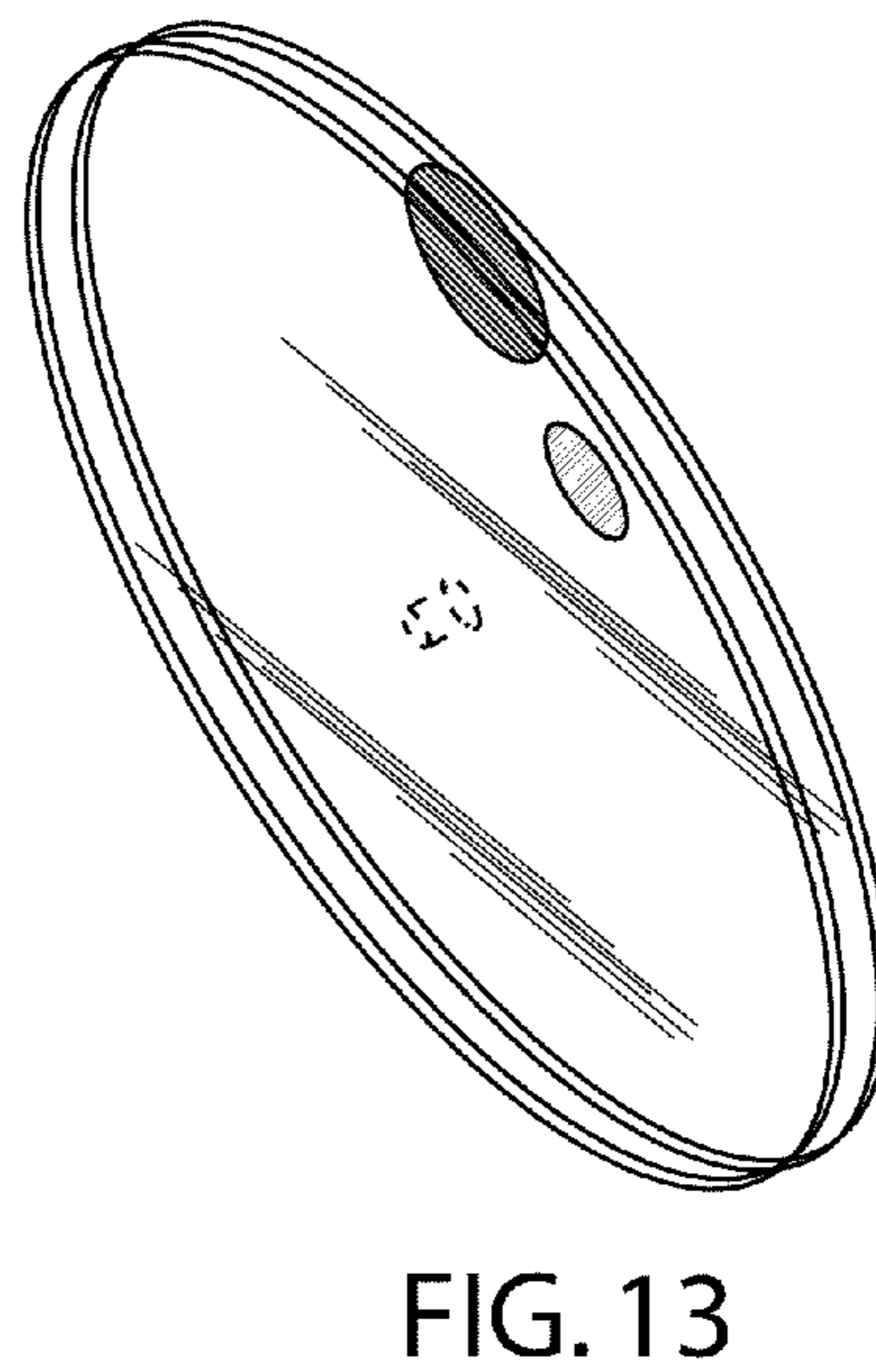
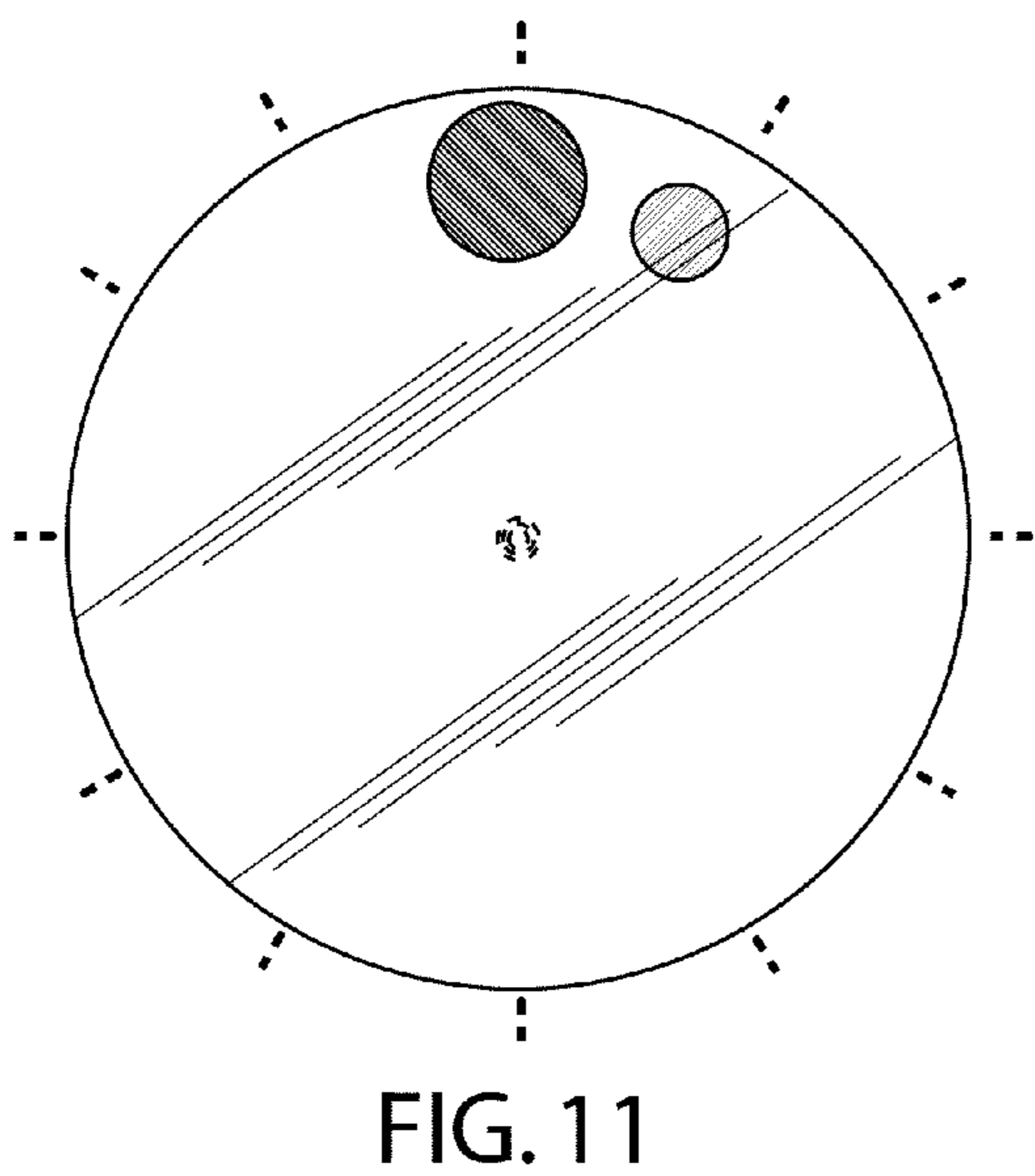
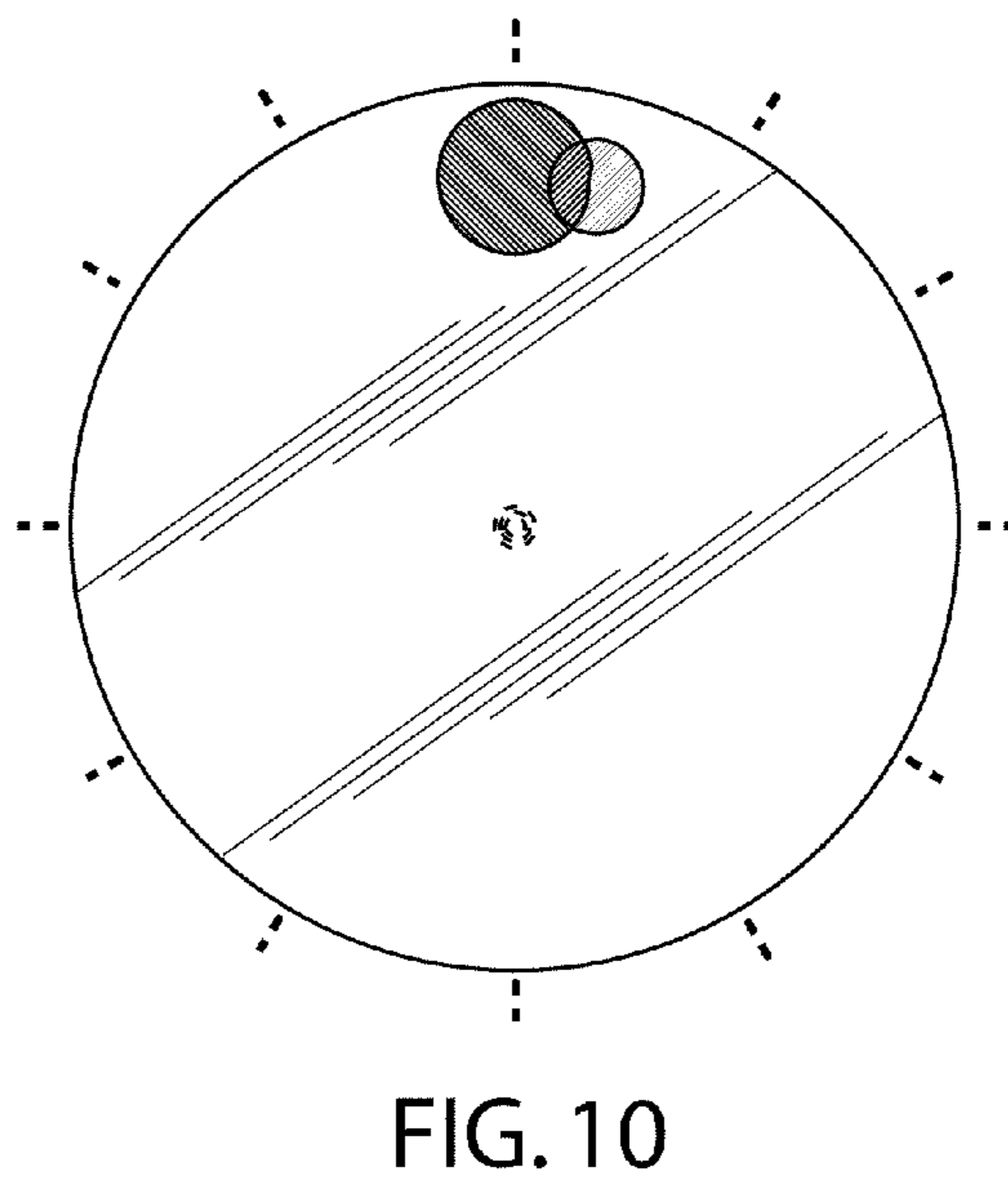
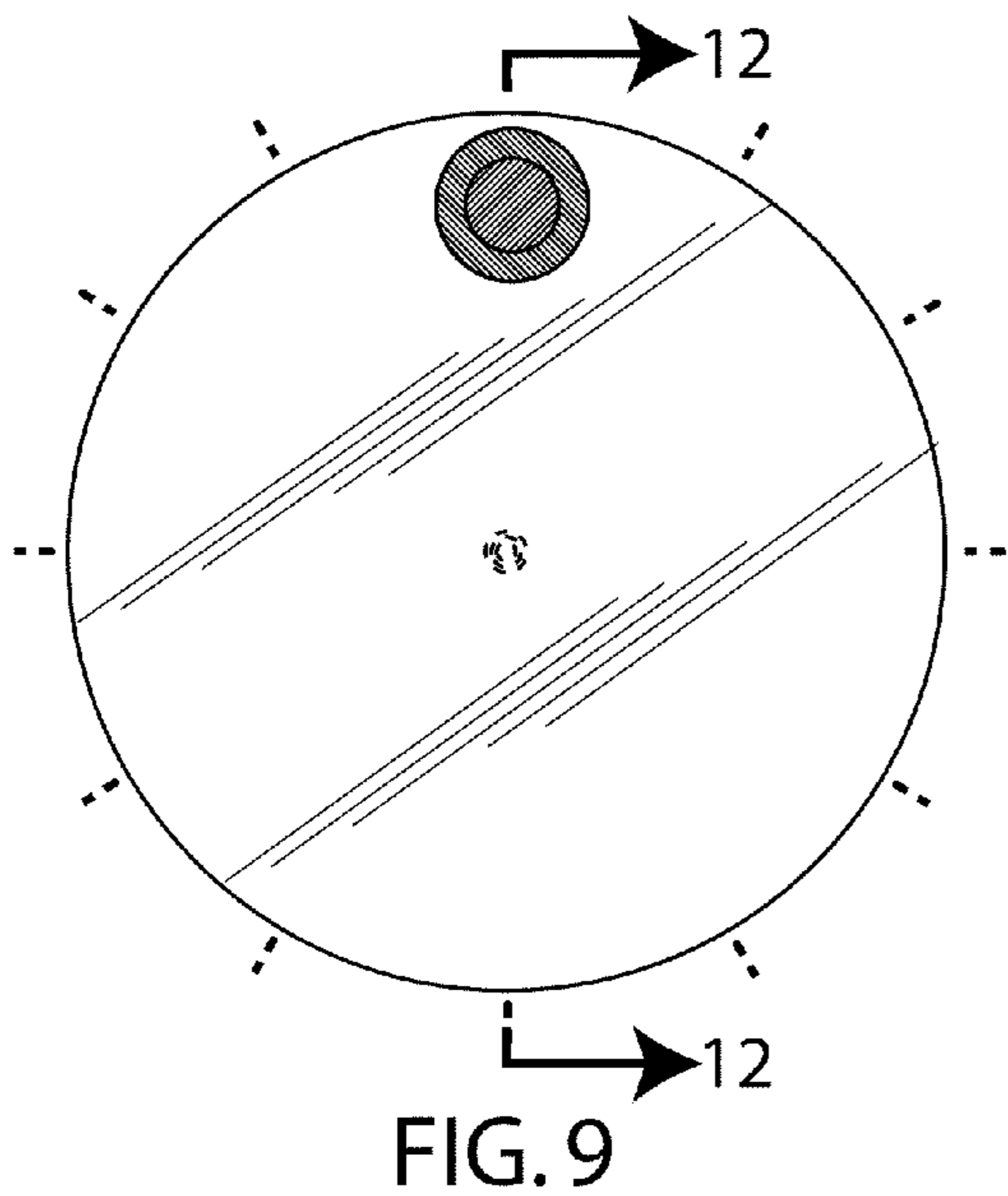


FIG. 12