



US00D552001S

(12) **United States Design Patent**
Fornt

(10) **Patent No.:** **US D552,001 S**

(45) **Date of Patent:** **** Oct. 2, 2007**

(54) **LUMINOUS SIGNAL DEVICE**

(75) Inventor: **Pere Corbero Fornt**, Barcelona (ES)

(73) Assignee: **Nova Corbyn, S.A.** (ES)

(**) Term: **14 Years**

(21) Appl. No.: **29/263,539**

(22) Filed: **Jul. 25, 2006**

(30) **Foreign Application Priority Data**

Feb. 23, 2006 (EM) 000484845-0001

(51) **LOC (8) Cl.** **10-05**

(52) **U.S. Cl.** **D10/111**

(58) **Field of Classification Search** D10/104-121;
D26/49, 37; D3/204, 265; 340/321; 362/205,
362/184

See application file for complete search history.

(56) **References Cited**

U.S. PATENT DOCUMENTS

2,915,744	A *	12/1959	Lewis	340/321
D270,366	S *	8/1983	Barnes	D22/148
4,495,550	A *	1/1985	Visciano	362/189
D293,482	S *	12/1987	Geissler	D26/49
D325,002	S *	3/1992	Brau	D10/114
D336,689	S *	6/1993	Hung	D26/49
D344,811	S *	3/1994	Garrity	D26/49
D389,595	S *	1/1998	Hunter	D26/49

D425,643	S *	5/2000	Jigamian et al.	D26/46
D487,231	S *	3/2004	Sohn	D10/109
D489,469	S *	5/2004	Liou	D26/37
6,808,291	B1 *	10/2004	Aylward et al.	362/205
D498,552	S *	11/2004	Chen	D26/37
D515,718	S *	2/2006	Yang	D26/37
D523,982	S *	6/2006	Doong	D26/49
D524,468	S *	7/2006	Chean	D26/37
D526,730	S *	8/2006	Galli	D26/37
D531,746	S *	11/2006	Zhu	D26/49
D536,465	S *	2/2007	Krieger et al.	D26/49
2001/0012204	A1 *	8/2001	Sharrah et al.	362/184

* cited by examiner

Primary Examiner—Robert M. Spear

Assistant Examiner—George D. Kirschbaum, Jr.

(74) *Attorney, Agent, or Firm*—Fulwider Patton LLP

(57) **CLAIM**

The ornamental design for a luminous signal device, as shown and described.

DESCRIPTION

FIG. 1 is a rear perspective view of a luminous signal device showing my new design;

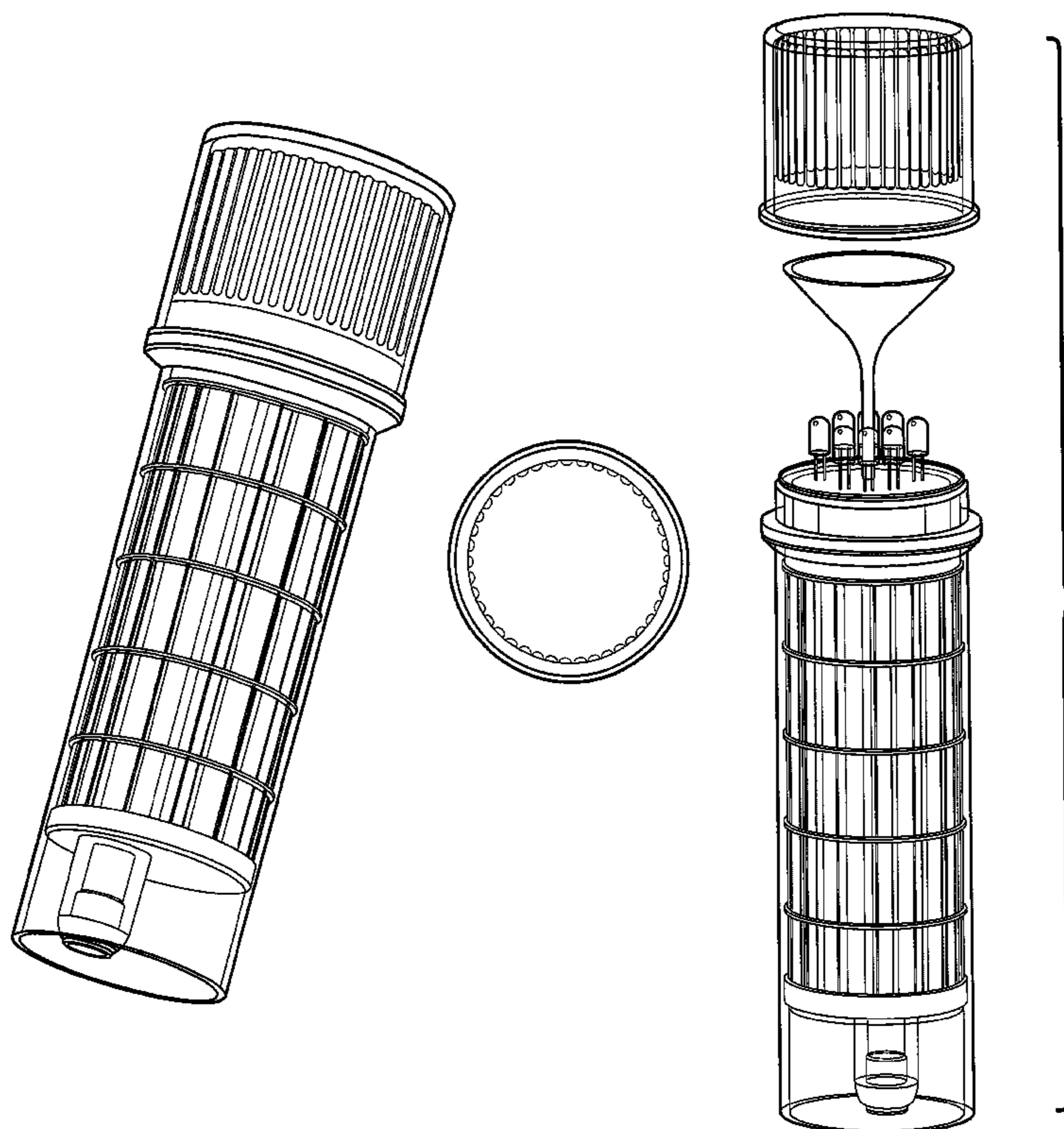
FIG. 2 is a side view thereof;

FIG. 3 is a front view thereof;

FIG. 4 is an enlarged rear view thereof; and,

FIG. 5 is an exploded front perspective view, thereof.

1 Claim, 4 Drawing Sheets



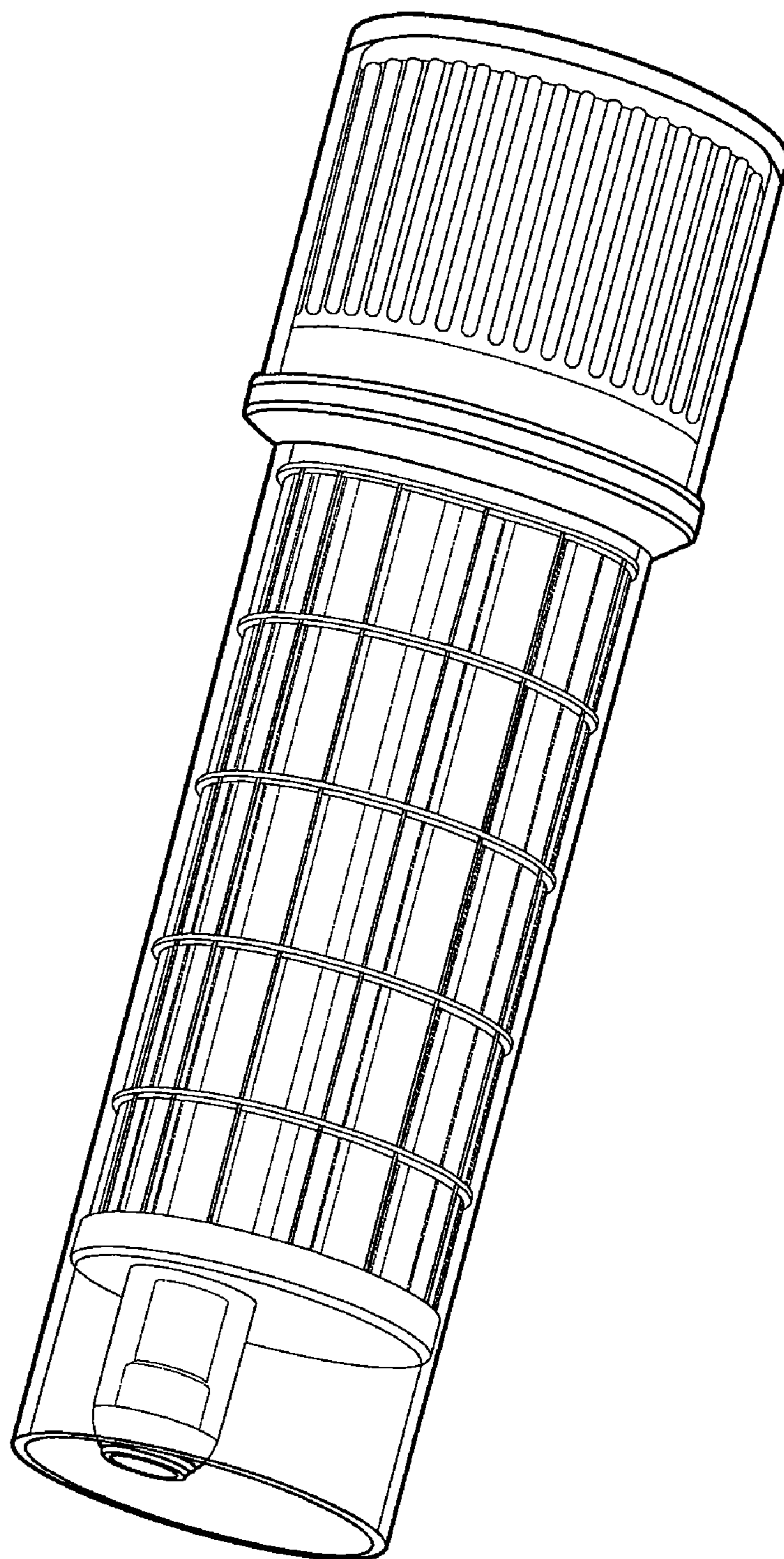


FIG. 1

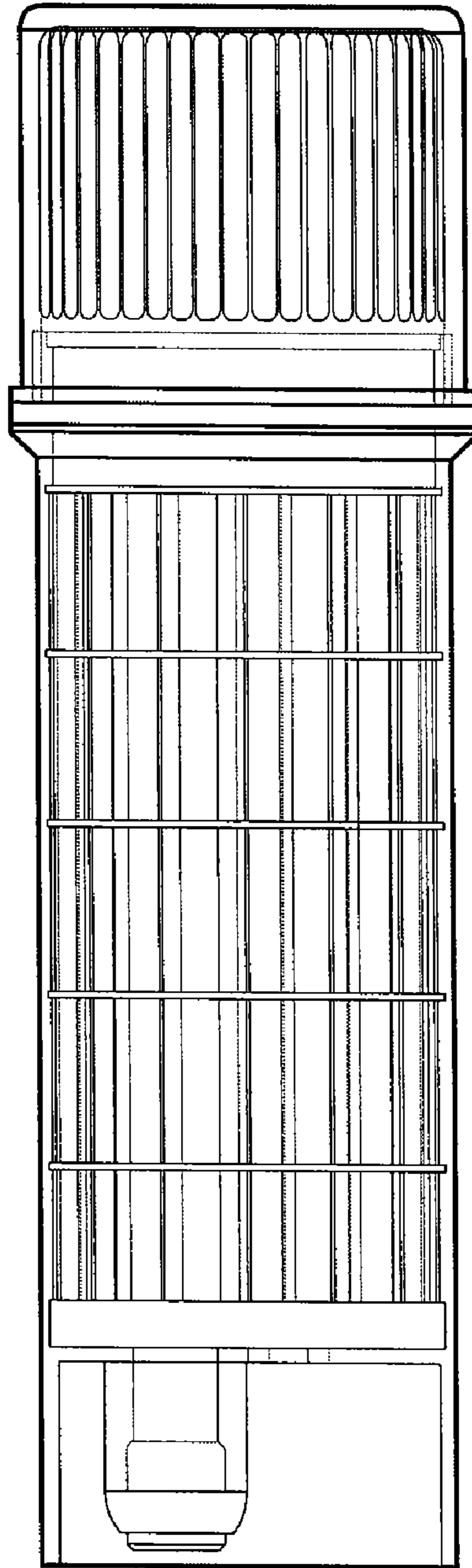


FIG. 2

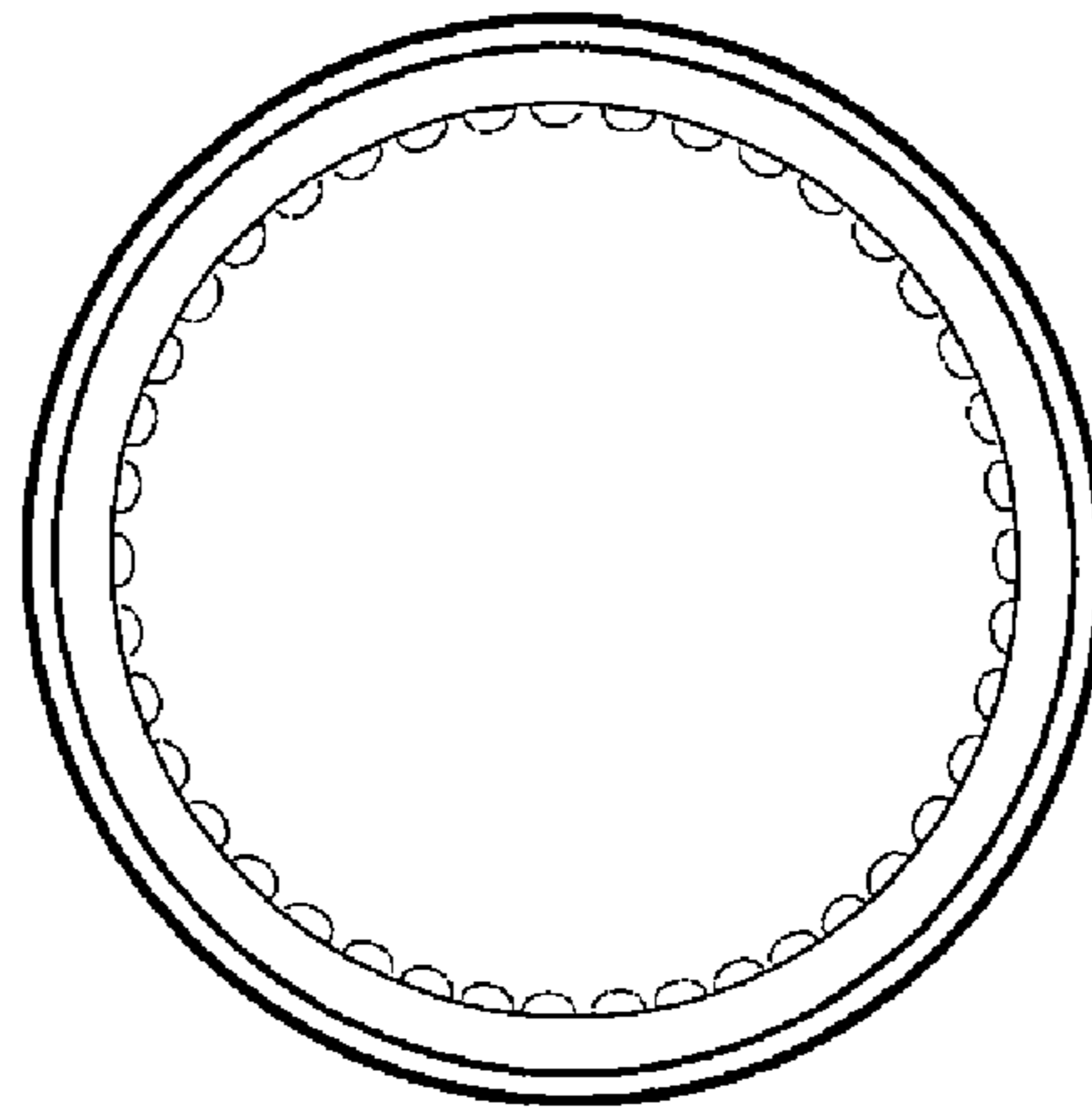


FIG. 3

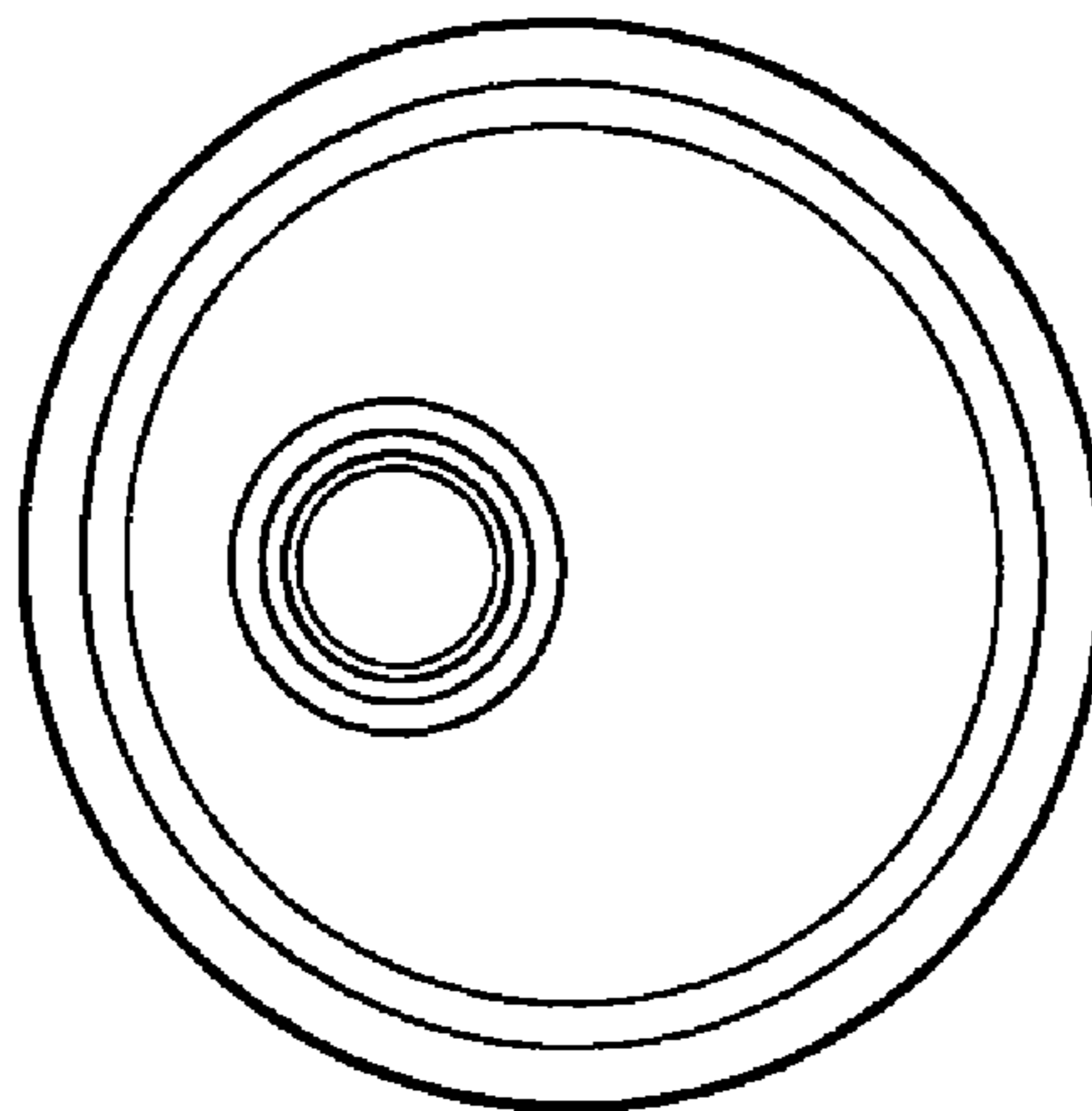


FIG. 4

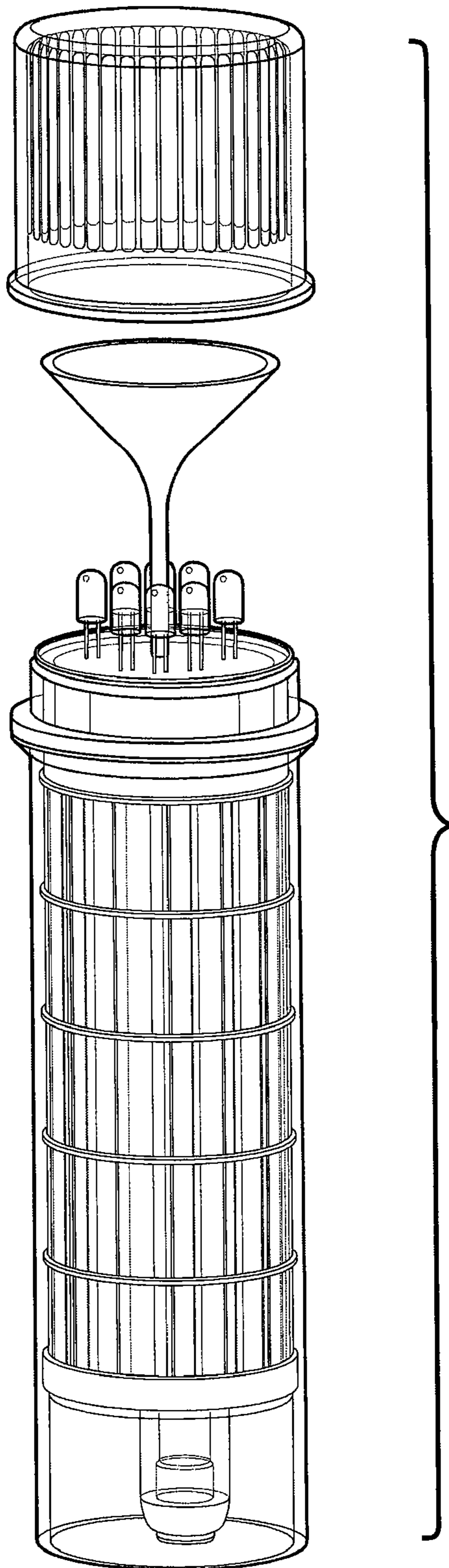


FIG. 5