



US00D552000S

(12) **United States Design Patent**
Sandell et al.

(10) **Patent No.:** **US D552,000 S**

(45) **Date of Patent:** **** Oct. 2, 2007**

(54) **MOTION DETECTOR HEAD**

(75) Inventors: **Donald R. Sandell**, San Jose, CA (US);
Wade Lee, Danville, CA (US)

(73) Assignee: **EML Technologies LLC**, Danville, CA
(US)

(**) Term: **14 Years**

(21) Appl. No.: **29/256,096**

(22) Filed: **Mar. 15, 2006**

(51) **LOC (8) Cl.** **10-05**

(52) **U.S. Cl.** **D10/104**

(58) **Field of Classification Search** D10/104-121;
D26/38; 340/521, 540, 555, 556, 557, 565,
340/600, 628, 629, 630

See application file for complete search history.

(56) **References Cited**

U.S. PATENT DOCUMENTS

D290,239 S *	6/1987	Bergeron	D10/106
D292,892 S *	11/1987	Ronn et al.	D10/106
D301,696 S *	6/1989	Greenlee et al.	D10/106
D311,877 S *	11/1990	Cheng	D10/104
D312,053 S *	11/1990	Jacobs et al.	D10/106
D335,467 S *	5/1993	Cheng	D10/106
5,373,155 A	12/1994	Chen et al.	
D359,008 S	6/1995	Sandell et al.	
D359,922 S	7/1995	Sandell	
D359,923 S	7/1995	Sandell	
D360,157 S	7/1995	Sandell et al.	
D363,804 S	10/1995	Parker et al.	
D372,203 S	7/1996	Sandell et al.	
D376,117 S *	12/1996	Kovens	D10/106
D376,331 S *	12/1996	Cuomo	D10/106
D377,619 S *	1/1997	Sandell	D10/106
D413,277 S *	8/1999	Scheibe	D10/106
D421,403 S *	3/2000	Kanzaki	D10/106
D424,727 S *	5/2000	Greubel	D26/51
D427,101 S *	6/2000	Leen	D10/106
D427,928 S *	7/2000	Hiller et al.	D10/104
D428,352 S *	7/2000	Hiller et al.	D10/106
D428,581 S *	7/2000	Hiller et al.	D10/106

D434,992 S *	12/2000	Hiller et al.	D10/106
D435,799 S *	1/2001	Leen	D10/104
6,175,309 B1 *	1/2001	Drake et al.	340/545.3
D438,133 S *	2/2001	Leen	D10/106
D459,264 S *	6/2002	Wong	D10/106
6,472,997 B2 *	10/2002	Leen	340/815.45
D466,429 S *	12/2002	Sandell et al.	D10/106
D506,695 S *	6/2005	Monroe et al.	D10/104
D510,535 S	10/2005	Sandell	
D511,705 S *	11/2005	Bandringa et al.	D10/104
D517,714 S	3/2006	Monroe et al.	
2002/0030593 A1 *	3/2002	Leen	340/540

OTHER PUBLICATIONS

“Quartz Motion Sensing Model No. SL-5597” Heath/Zenith [online] (prior to Jan. 24, 2004) [retrieved on May 31, 2005]. Retrieved from the internet, URL:<http://www.desatech.com/heath/mainProduct.asp?page=quartz&type=Quartz+Motion+Sensing&model=SL-5597>.

* cited by examiner

Primary Examiner—Robert M. Spear

Assistant Examiner—George D. Kirschbaum, Jr.

(74) *Attorney, Agent, or Firm*—Elliot B. Aronson

(57) **CLAIM**

The ornamental design for a motion detector head, as shown and described.

DESCRIPTION

FIG. 1 is a perspective view of a motion detector head showing our new design;

FIG. 2 is a right elevational view of the motion detector head of FIG. 1; the left elevational view is a mirror image;

FIG. 3 is a top plan view thereof;

FIG. 4 is a front elevational view thereof;

FIG. 5 is a rear elevational view thereof; and,

FIG. 6 is a bottom plan view thereof.

The broken line in the Figures is shown for illustrative purposes only and does not form part of the claimed design.

1 Claim, 2 Drawing Sheets

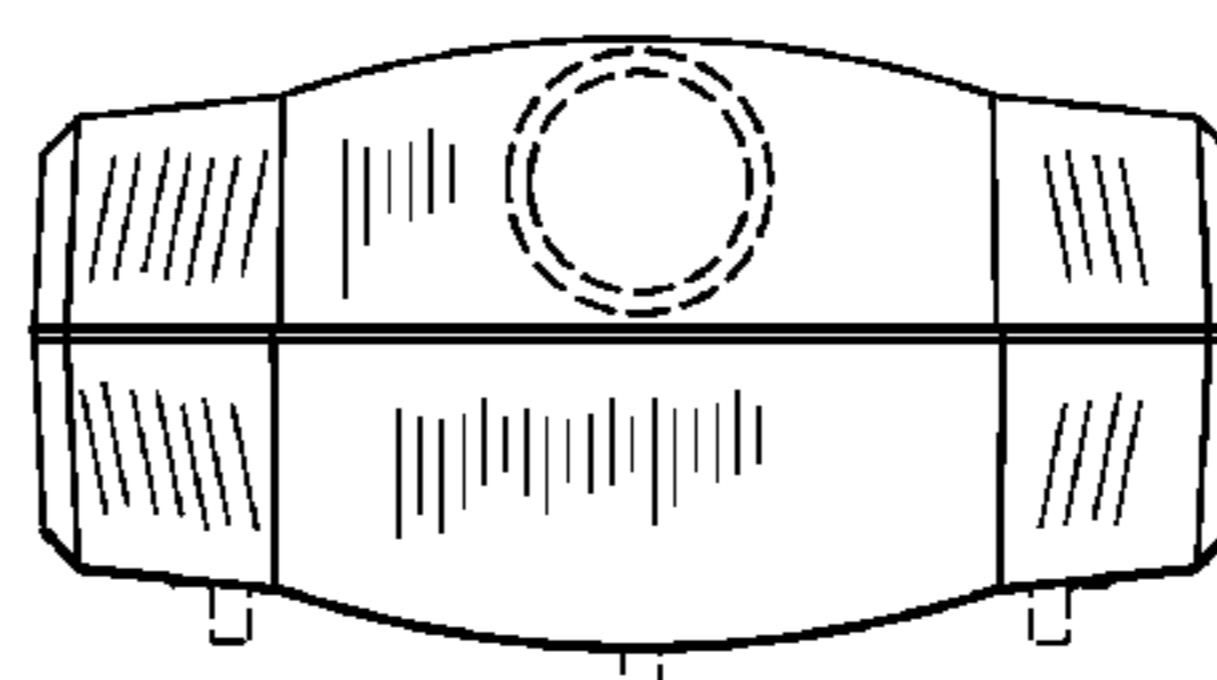
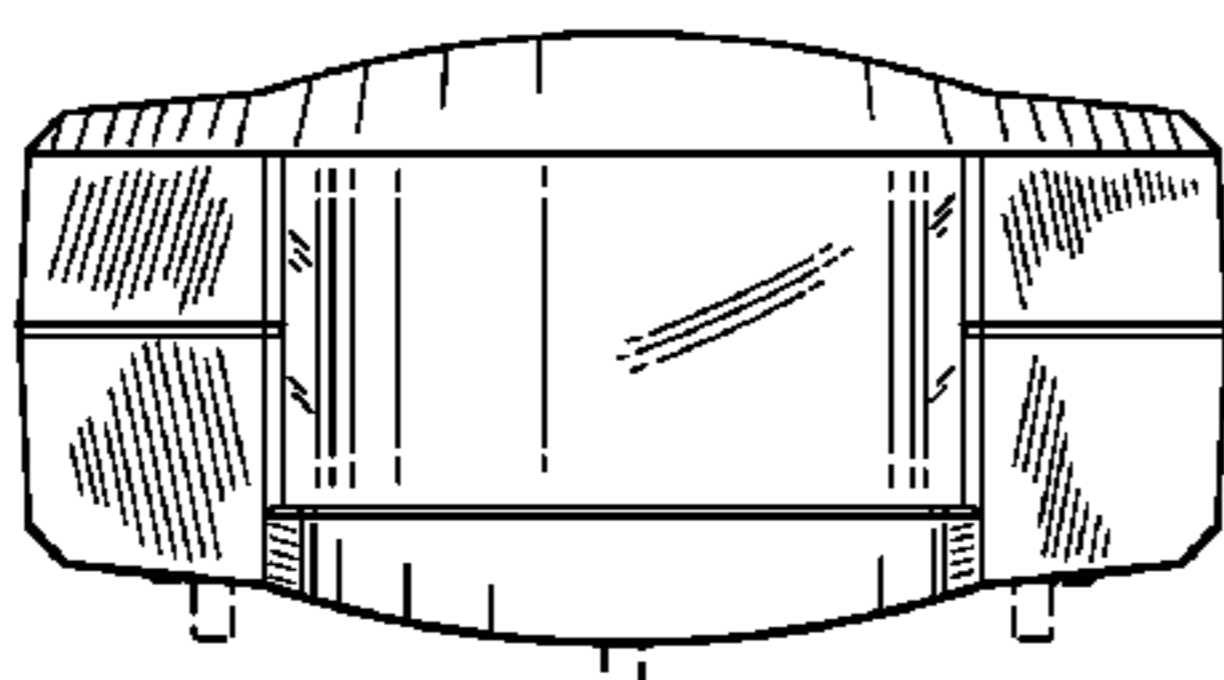
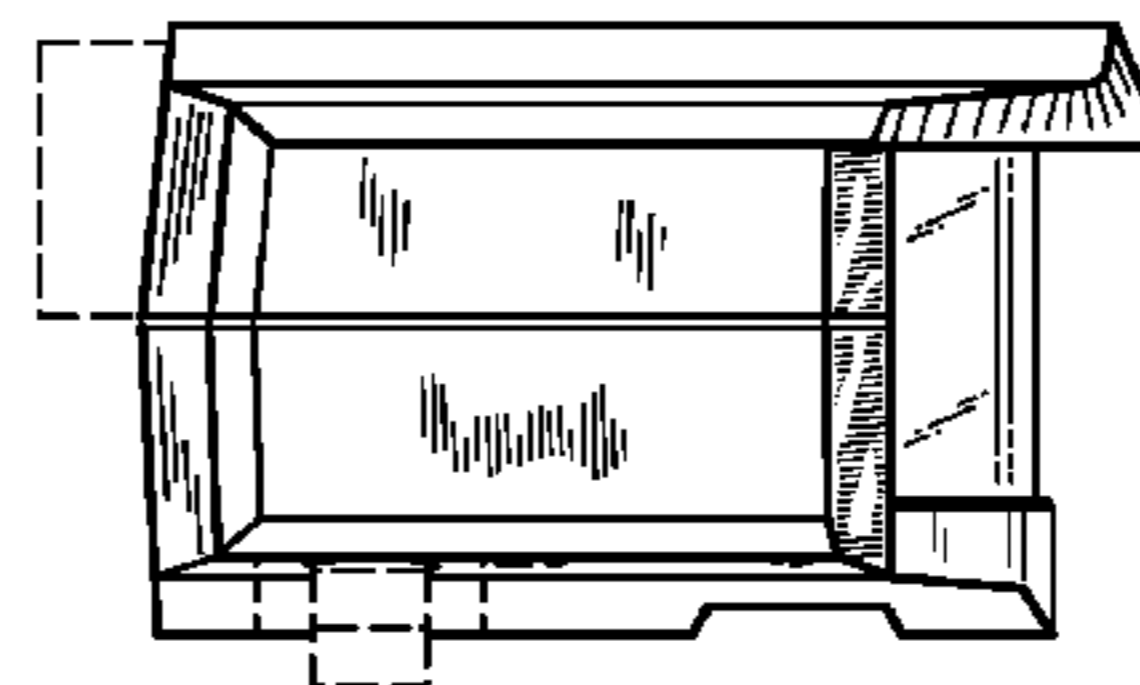
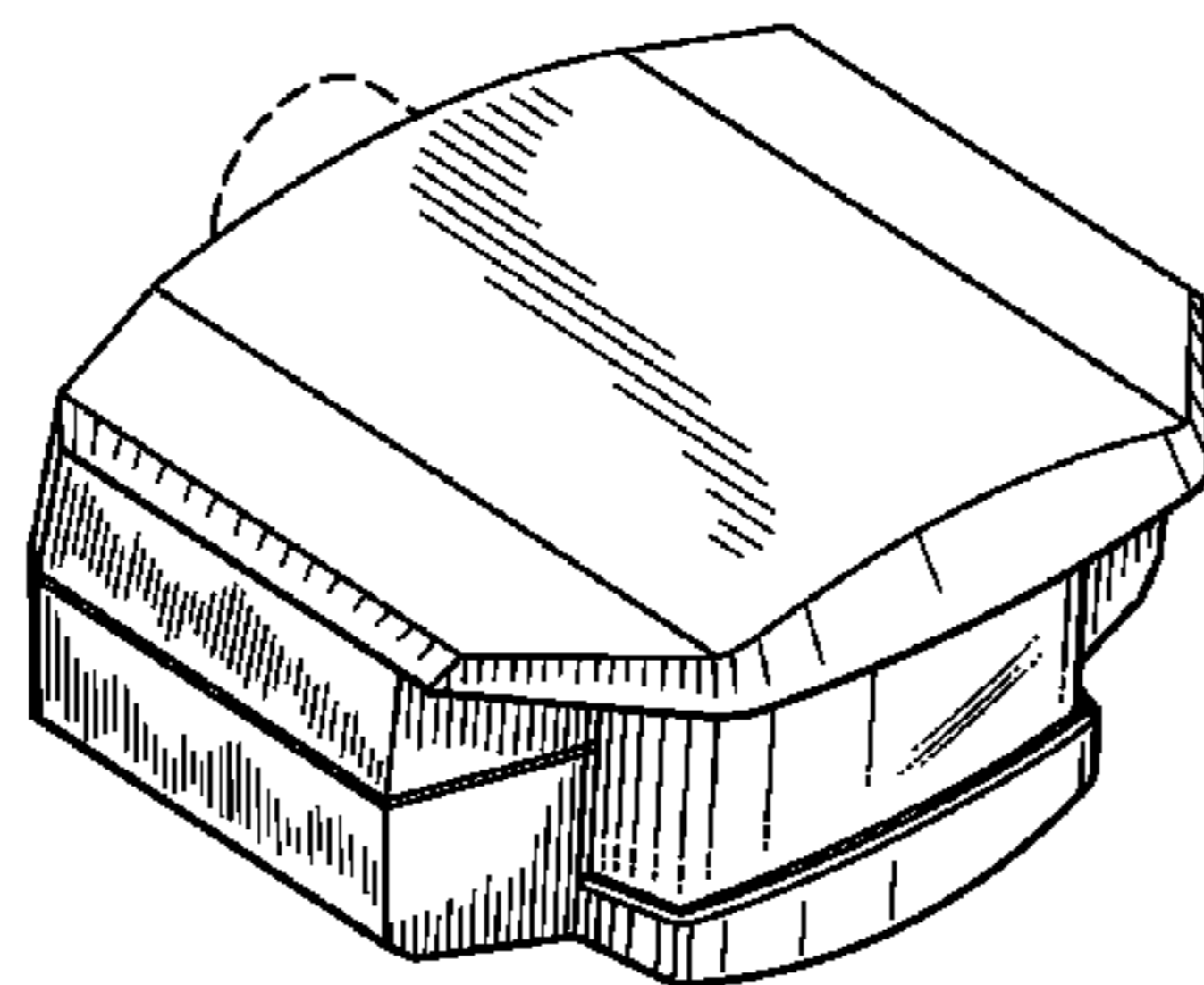


FIG. 1

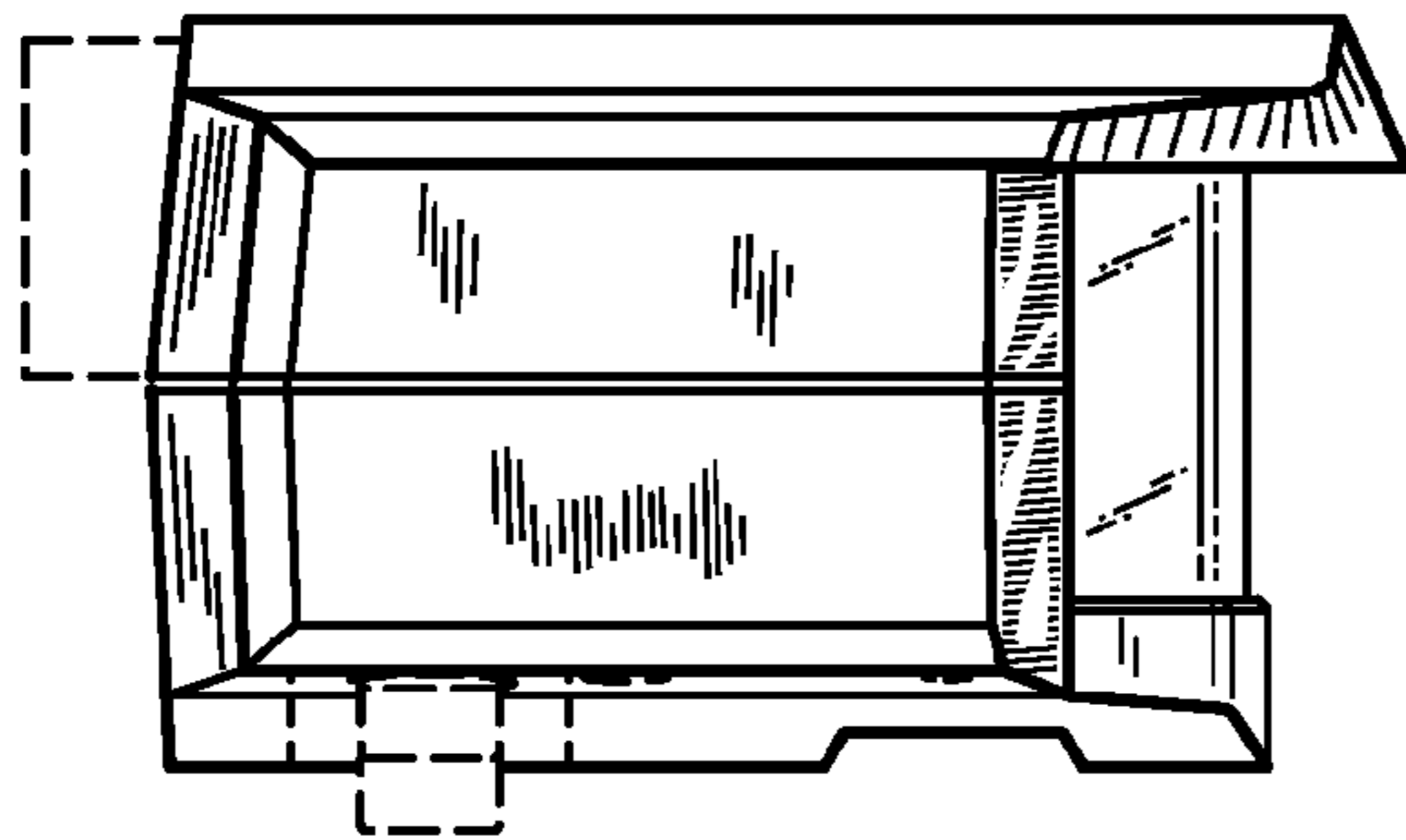
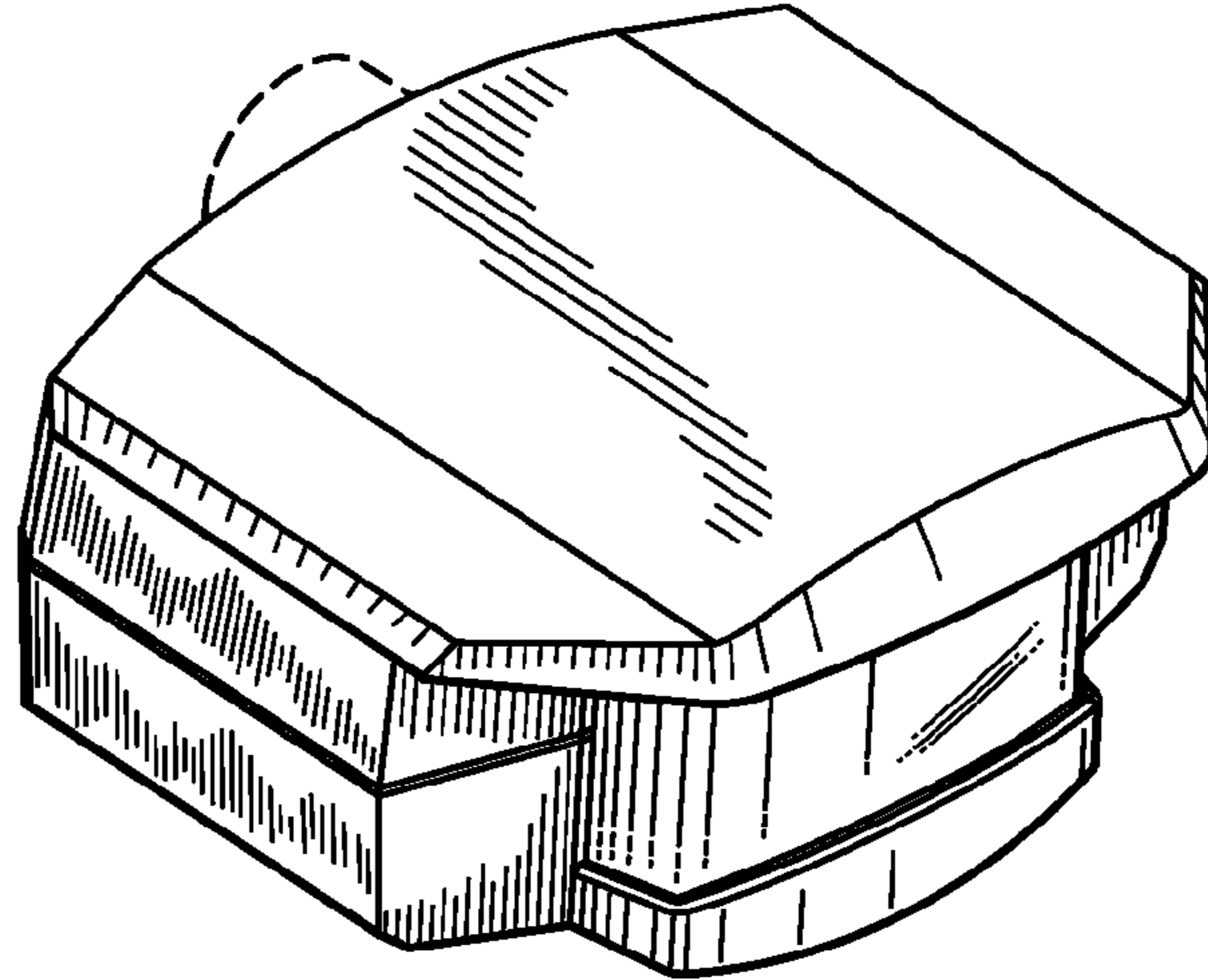


FIG. 2

FIG. 3

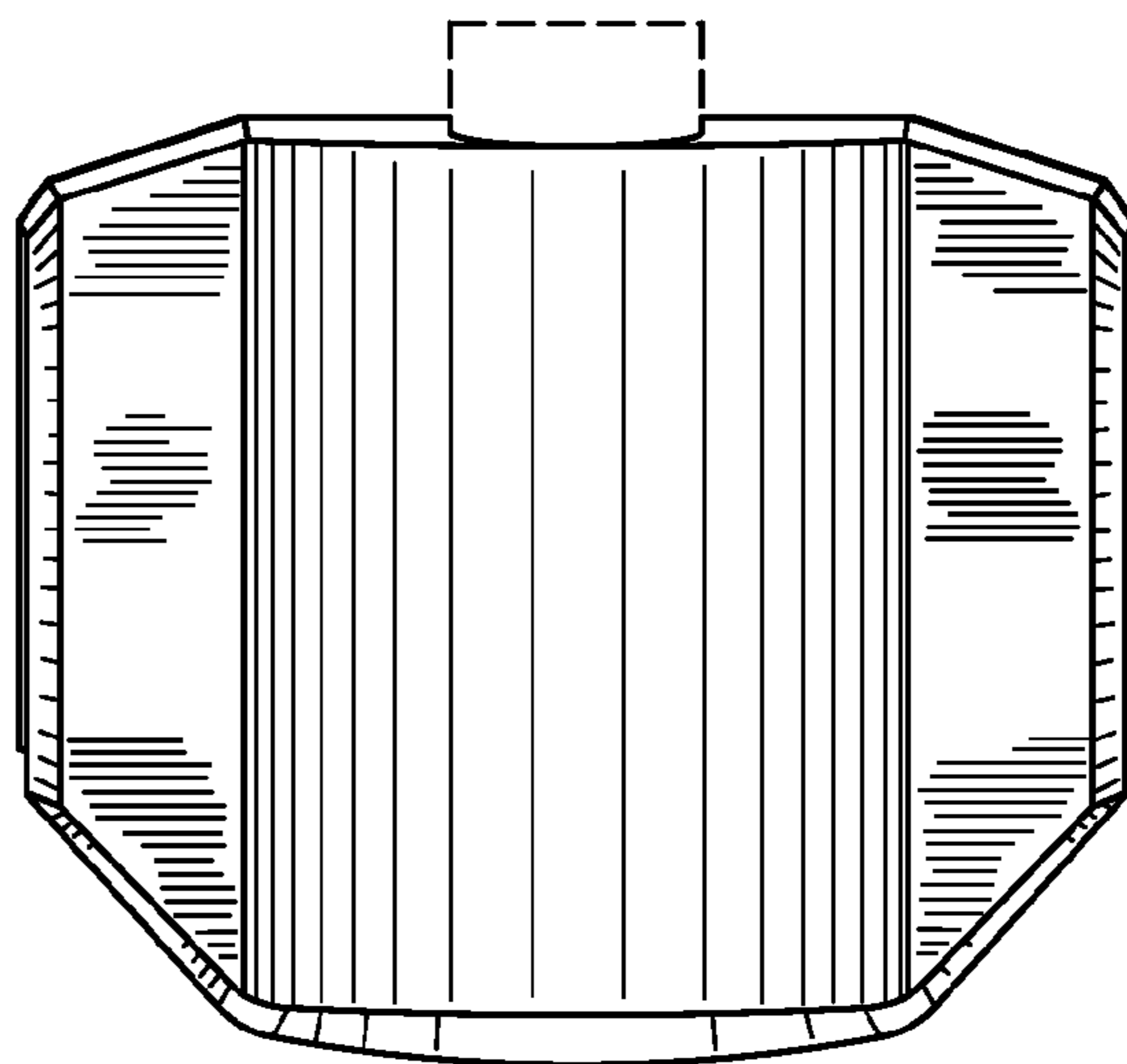


FIG. 4

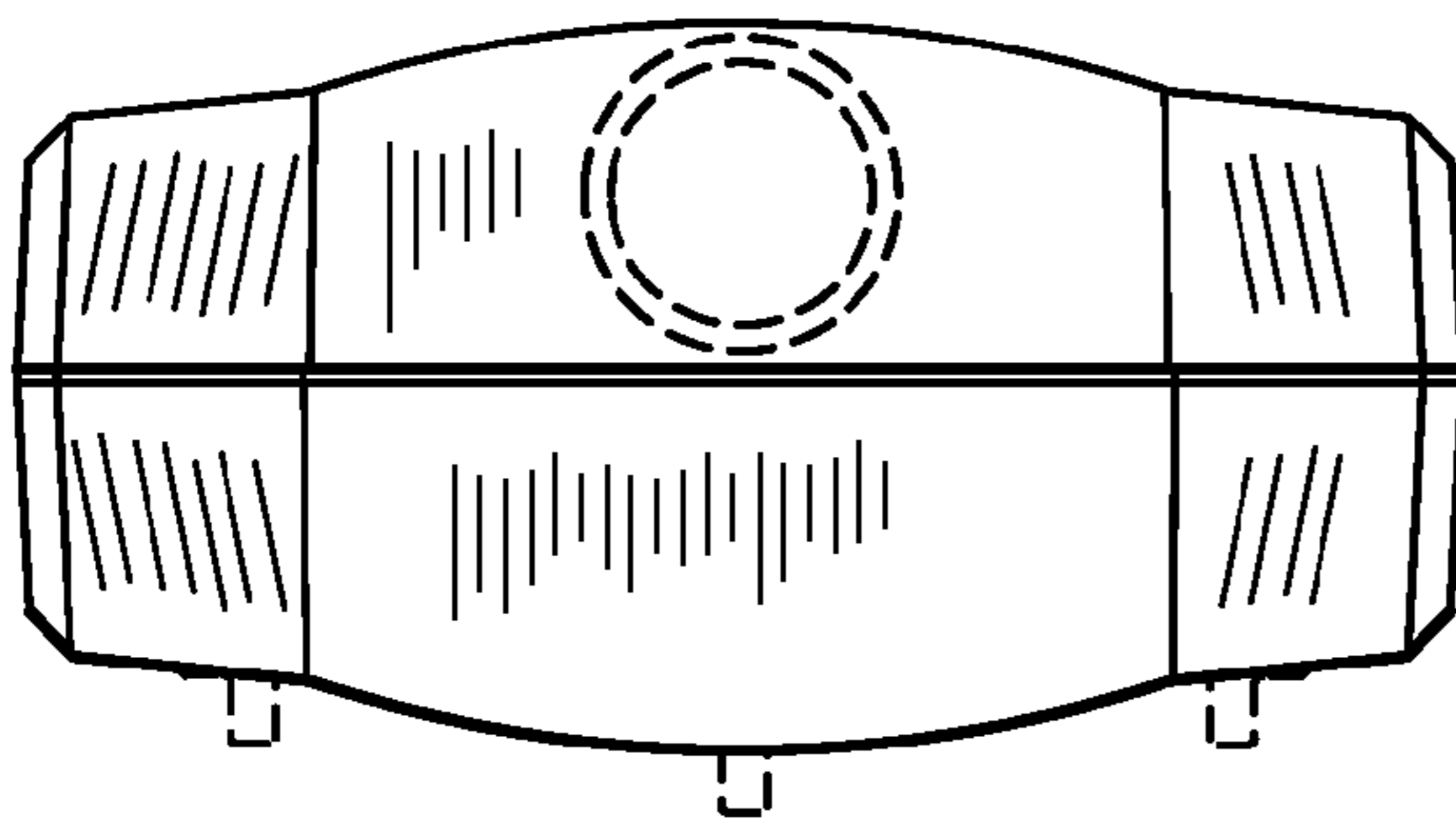
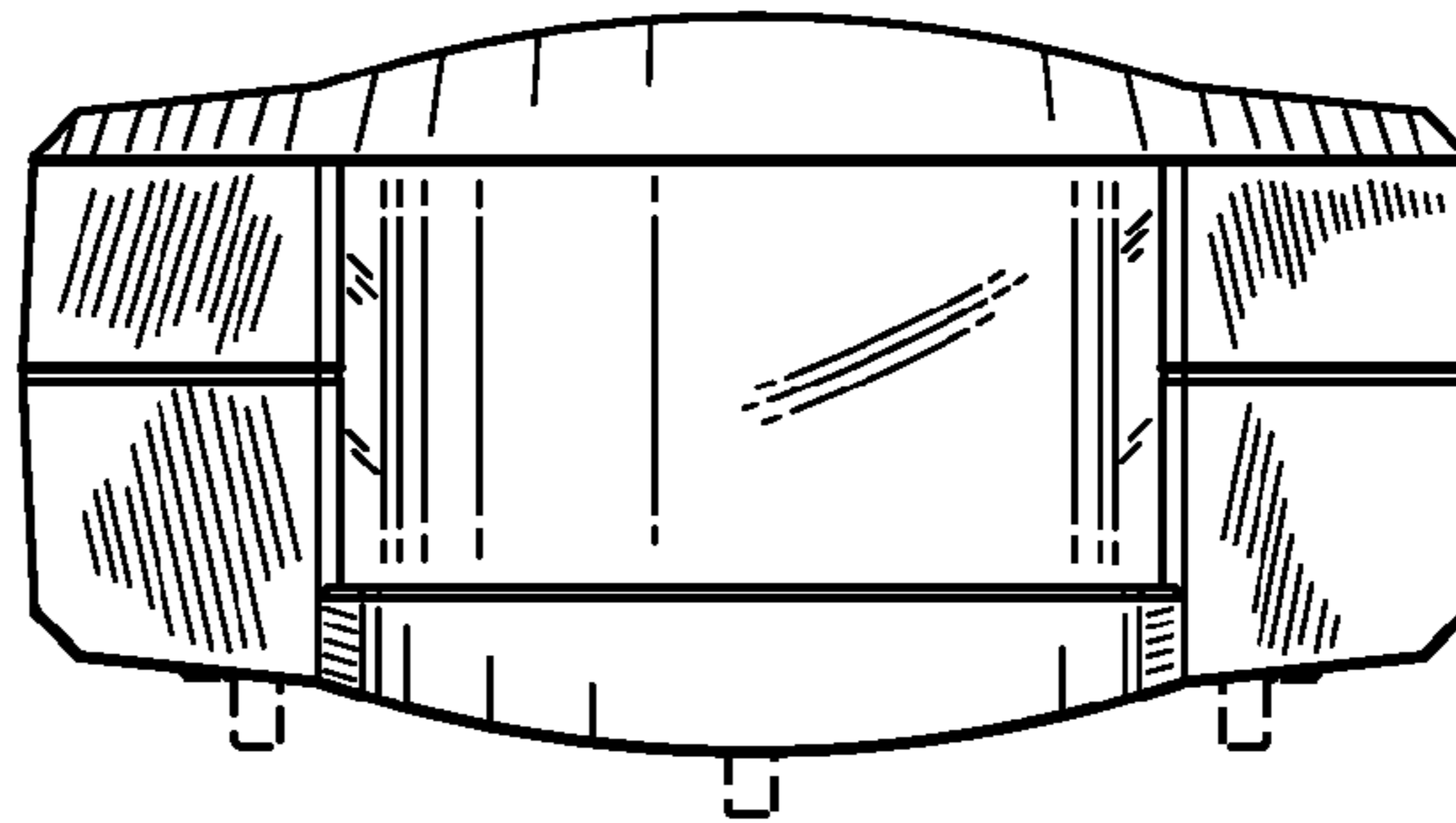


FIG. 5

FIG. 6

