



US00D551999S

(12) **United States Design Patent**  
**Makkonen et al.**

(10) **Patent No.:** **US D551,999 S**

(45) **Date of Patent:** **\*\* Oct. 2, 2007**

(54) **FLOWMETER**

(75) Inventors: **Harri Makkonen**, Muurame (FI);  
**Hannu Trygg**, Jyväskylä (FI)

(73) Assignee: **John Crane Safematic Oy**, Muurame (FI)

(\*\*) Term: **14 Years**

(21) Appl. No.: **29/237,172**

(22) Filed: **Aug. 26, 2005**

(30) **Foreign Application Priority Data**

Mar. 16, 2005 (FI) ..... M-20050045

(51) **LOC (8) Cl.** ..... **10-04**

(52) **U.S. Cl.** ..... **D10/96**

(58) **Field of Classification Search** ..... D10/96;  
73/861.78, 431, 204.21, 1, 223, 323, 325;  
116/274, 273, 276, 264; 310/75 A, 78  
See application file for complete search history.

(56) **References Cited**

**U.S. PATENT DOCUMENTS**

D255,999 S \* 7/1980 Molijn ..... D10/96  
D256,000 S \* 7/1980 Molijn ..... D10/96  
4,421,417 A \* 12/1983 McQuade ..... D10/96  
4,700,579 A \* 10/1987 Hall ..... 73/861.78  
D297,716 S \* 9/1988 Rosaen ..... D10/96

D305,209 S \* 12/1989 Esau ..... D10/96  
D315,526 S \* 3/1991 Esau ..... D10/96  
5,199,307 A \* 4/1993 Onoda et al. .... 73/861.78  
D348,616 S \* 7/1994 Apigian et al. .... D10/46  
5,645,011 A \* 7/1997 Winkler et al. .... 116/264  
5,661,461 A \* 8/1997 Wiseman ..... 116/264  
6,481,293 B1 \* 11/2002 Walczak et al. .... 73/861.77  
D483,276 S \* 12/2003 Schabbach ..... D10/46  
6,952,960 B2 \* 10/2005 Nozoe et al. .... 73/204.21

\* cited by examiner

*Primary Examiner*—Antoine D. Davis

(74) *Attorney, Agent, or Firm*—Ladas & Parry LLP

(57) **CLAIM**

The ornamental design for a flowmeter, as shown.

**DESCRIPTION**

FIG. 1 is a perspective top and front view of a flowmeter showing our new design;

FIG. 2 is a perspective top and rear view thereof;

FIG. 3 is a bottom view thereof;

FIG. 4 is a front view thereof;

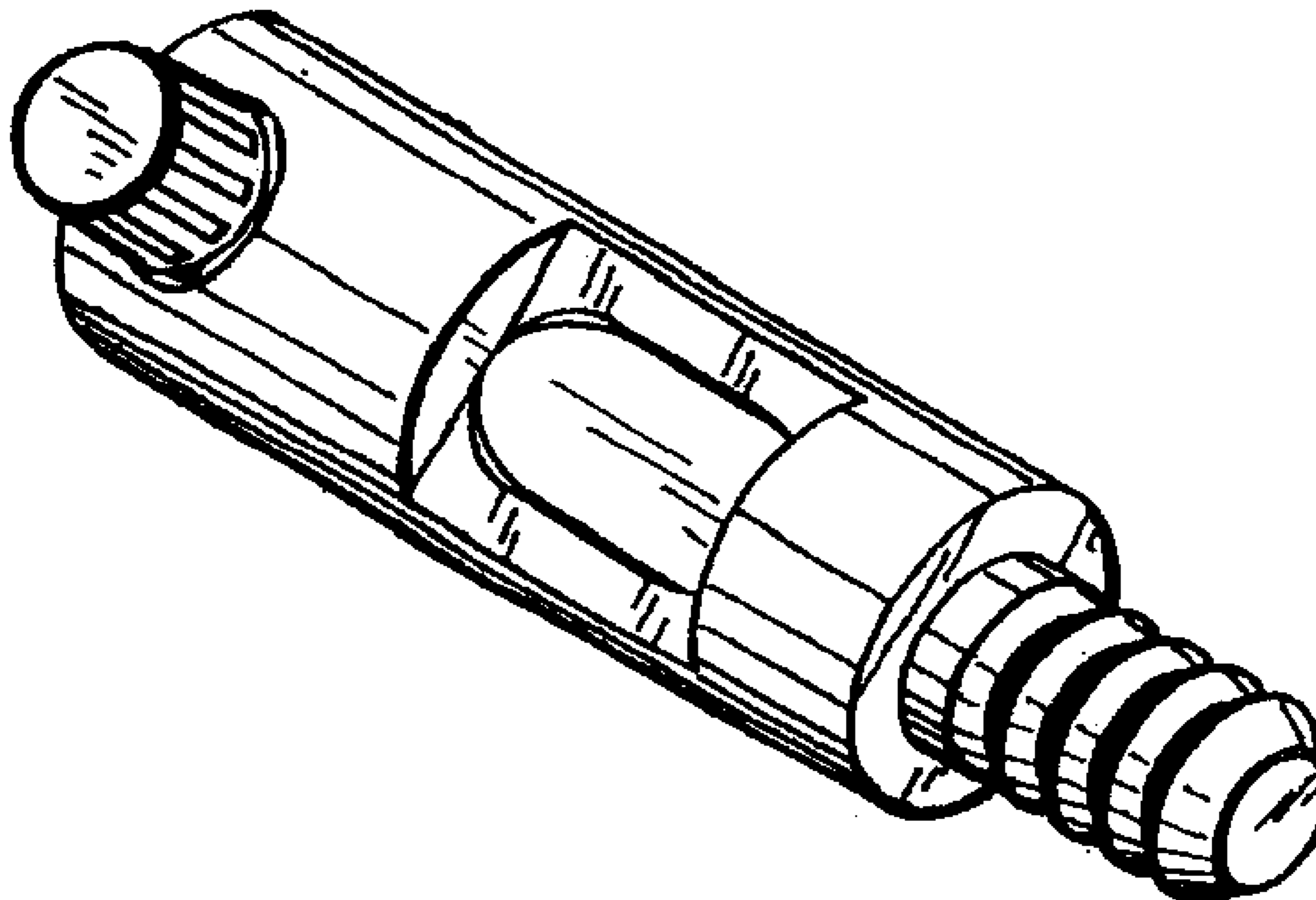
FIG. 5 is a top view thereof;

FIG. 6 is a right side view thereof;

FIG. 7 is a left side view thereof; and,

FIG. 8 is a rear view thereof.

**1 Claim, 2 Drawing Sheets**



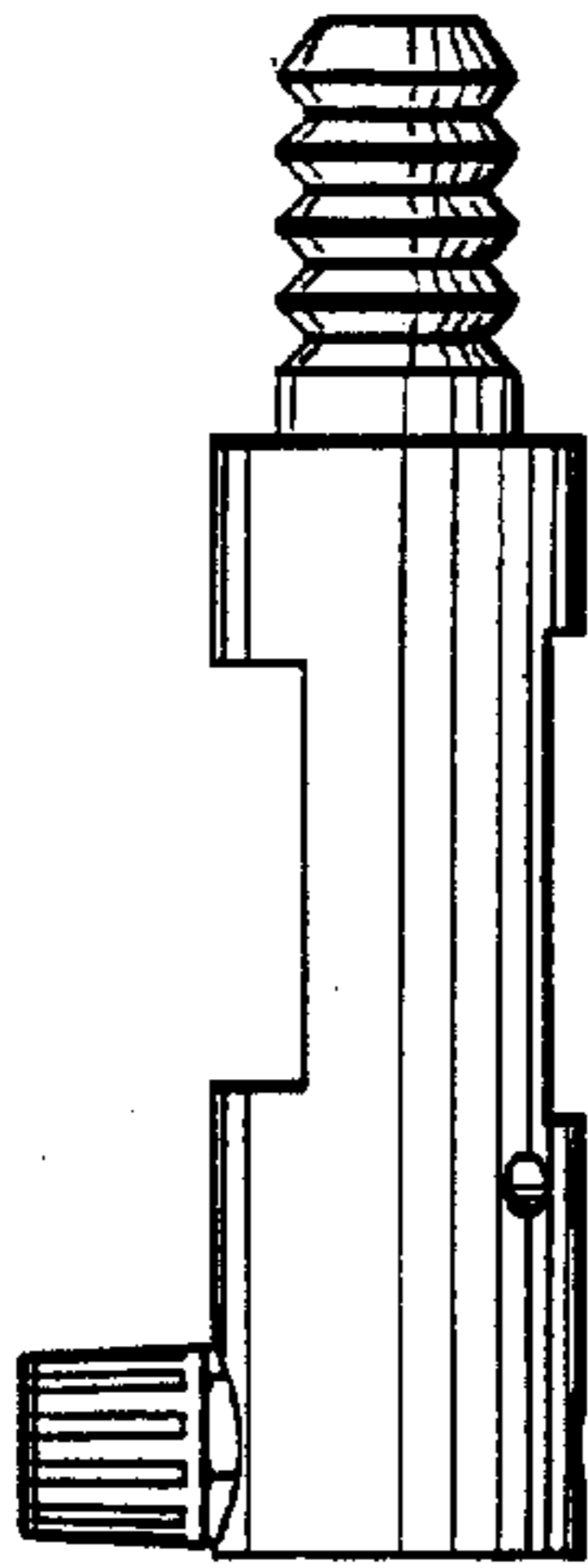


Fig. 3

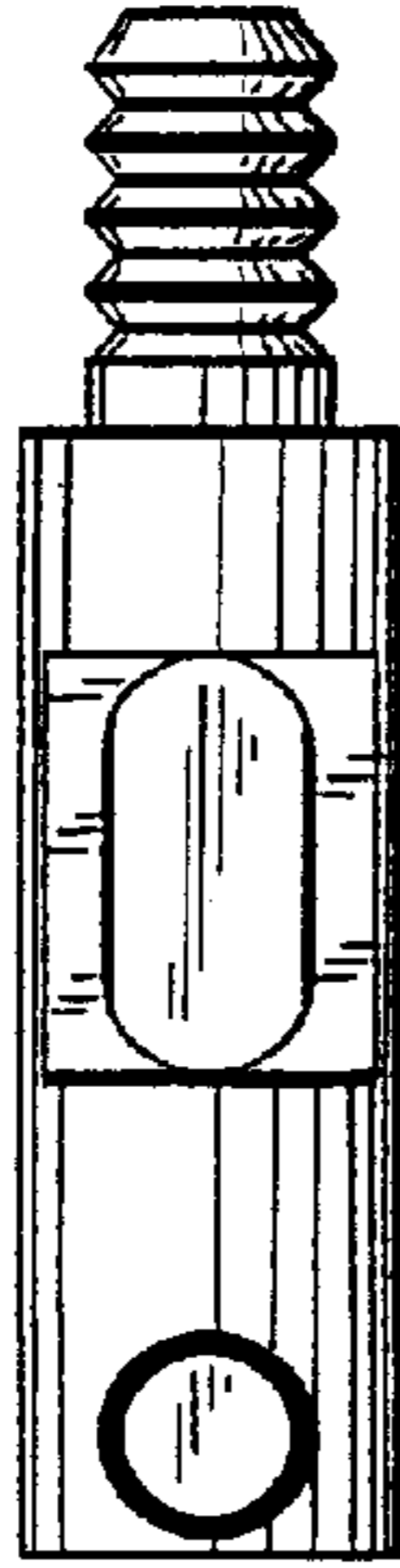


Fig. 4

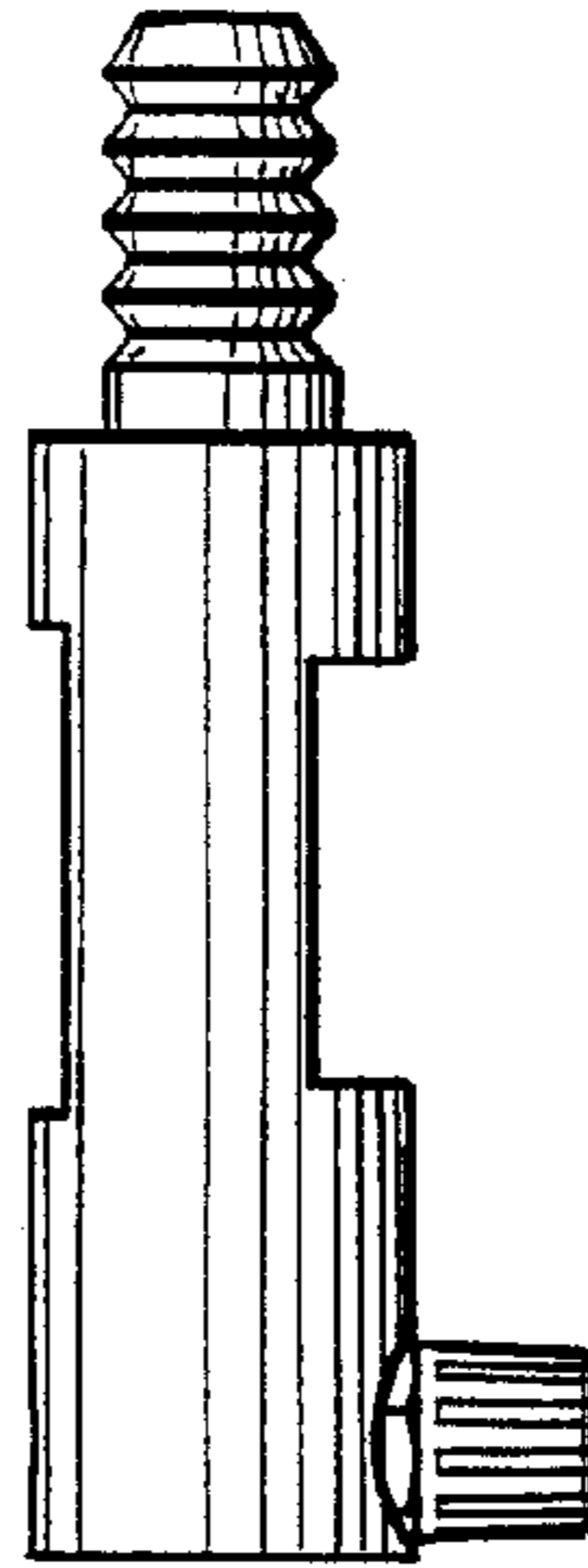


Fig. 5

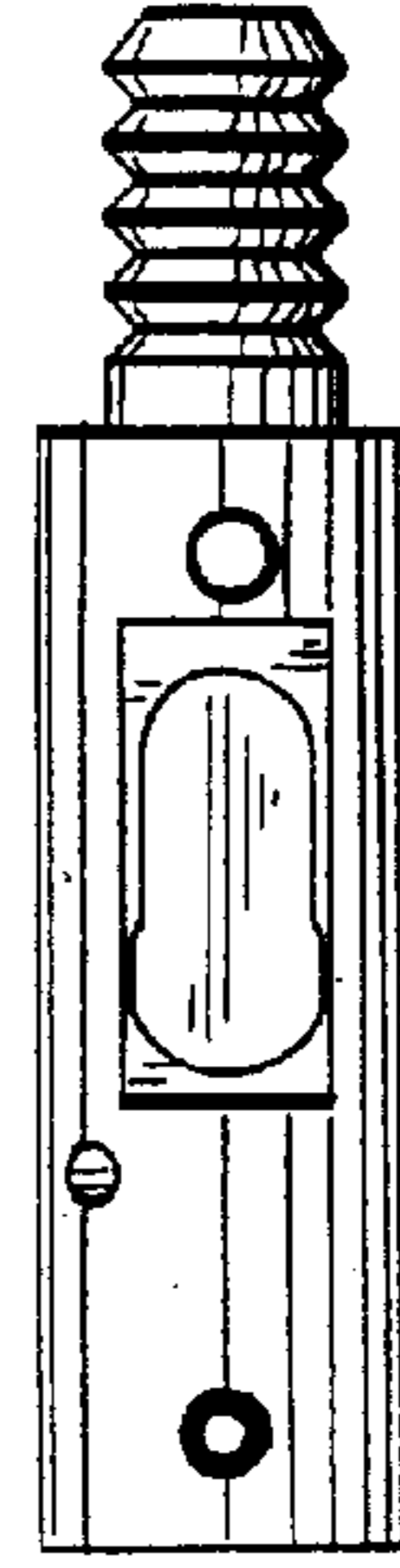


Fig. 8

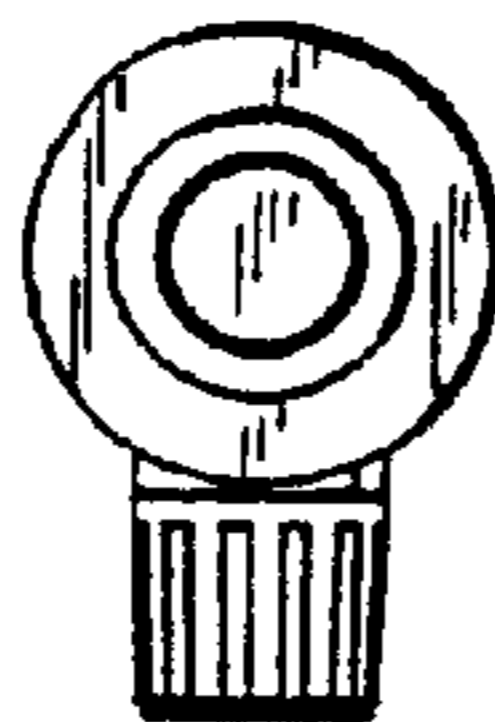


Fig. 6



Fig. 7

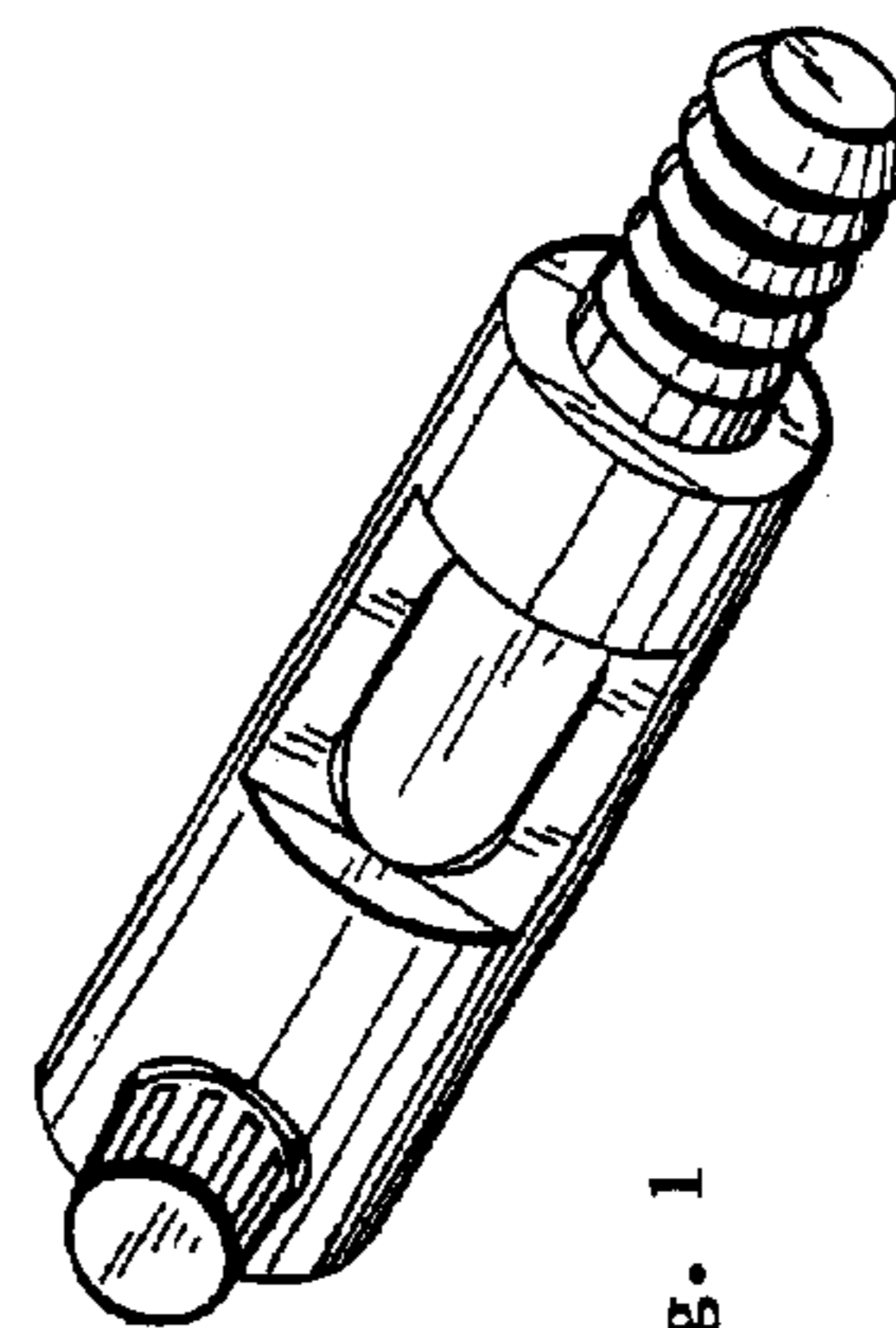


Fig. 1

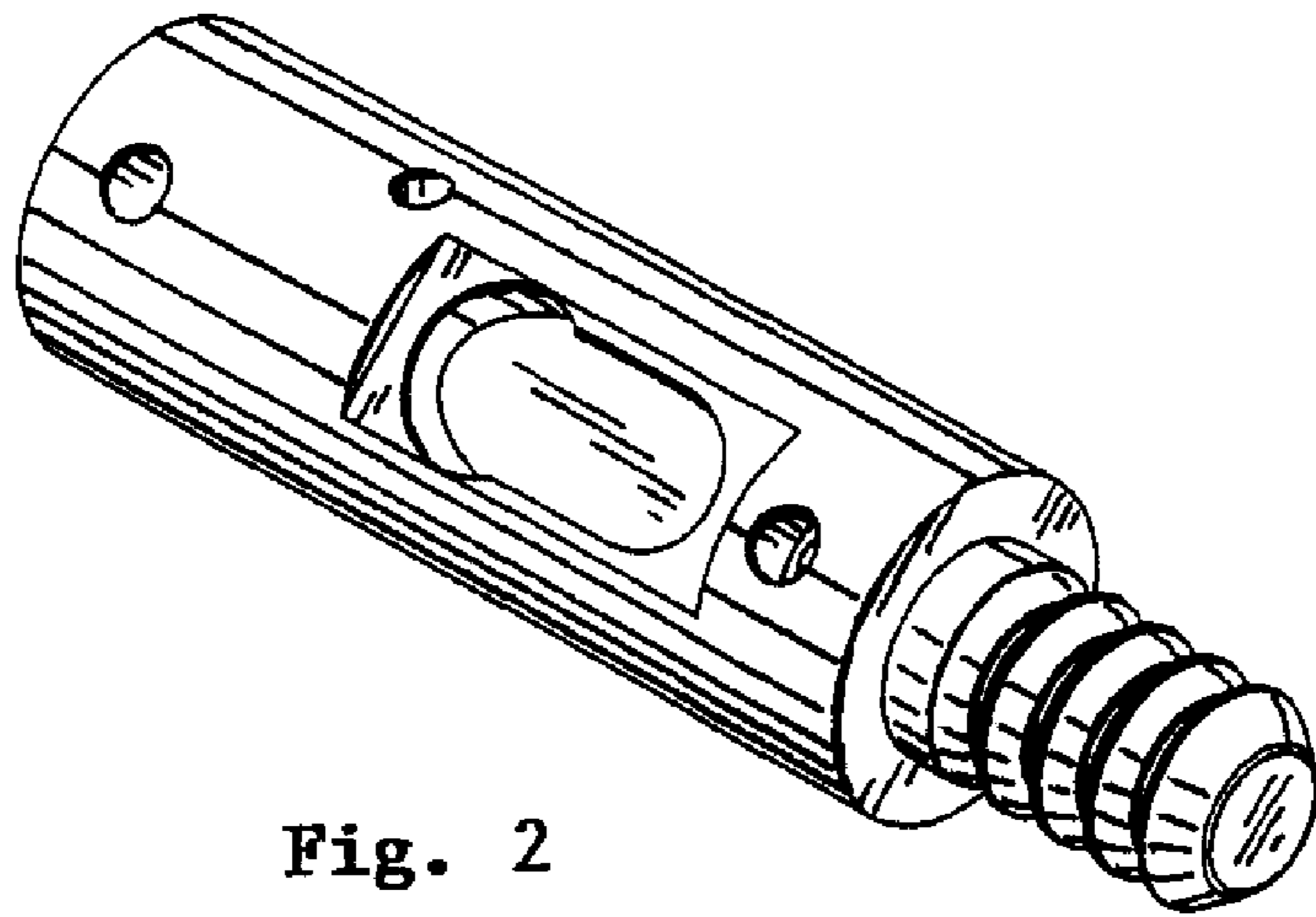


Fig. 2