



US00D551997S

(12) **United States Design Patent**
Kesler

(10) **Patent No.:** **US D551,997 S**

(45) **Date of Patent:** **** Oct. 2, 2007**

(54) **HANDHELD COMMUNICATION TESTER**

(75) Inventor: **James R. Kesler**, Pullman, WA (US)

(73) Assignee: **Schweitzer Engineering Laboratories, Inc.**, Pullman, WA (US)

(**) Term: **14 Years**

(21) Appl. No.: **29/238,351**

(22) Filed: **Sep. 14, 2005**

(51) **LOC (8) Cl.** **10-04**

(52) **U.S. Cl.** **D10/78**

(58) **Field of Classification Search** D10/46,
D10/78, 75; 361/157

See application file for complete search history.

(56) **References Cited**

U.S. PATENT DOCUMENTS

D382,321 S *	8/1997	Anderson et al.	D10/78
D425,805 S *	5/2000	Huang	D10/78
D442,503 S	5/2001	Lundbeck et al.	

* cited by examiner

Primary Examiner—Antoine D. Davis

(74) *Attorney, Agent, or Firm*—Cook, Alex, McFarron, Manzo, Cummings & Mehler, Ltd.

(57) **CLAIM**

The ornamental design for the handheld communication tester, as shown and described.

DESCRIPTION

FIG. 1 is front elevational view of a handheld communication tester showing my new design;

FIG. 2 is a right side elevational view thereof;

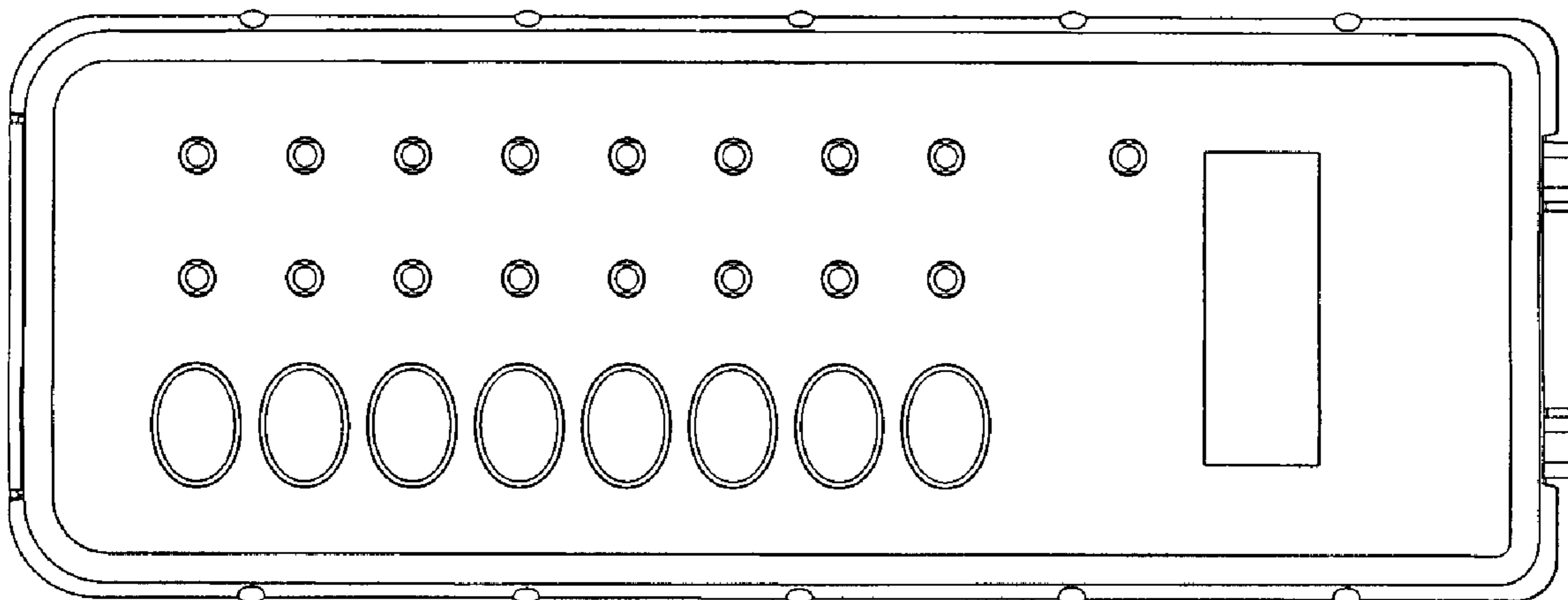
FIG. 3 is a left side elevational view thereof;

FIG. 4 is a rear elevational view thereof;

FIG. 5 is a top view thereof; and,

FIG. 6 is a bottom view thereof.

1 Claim, 1 Drawing Sheet



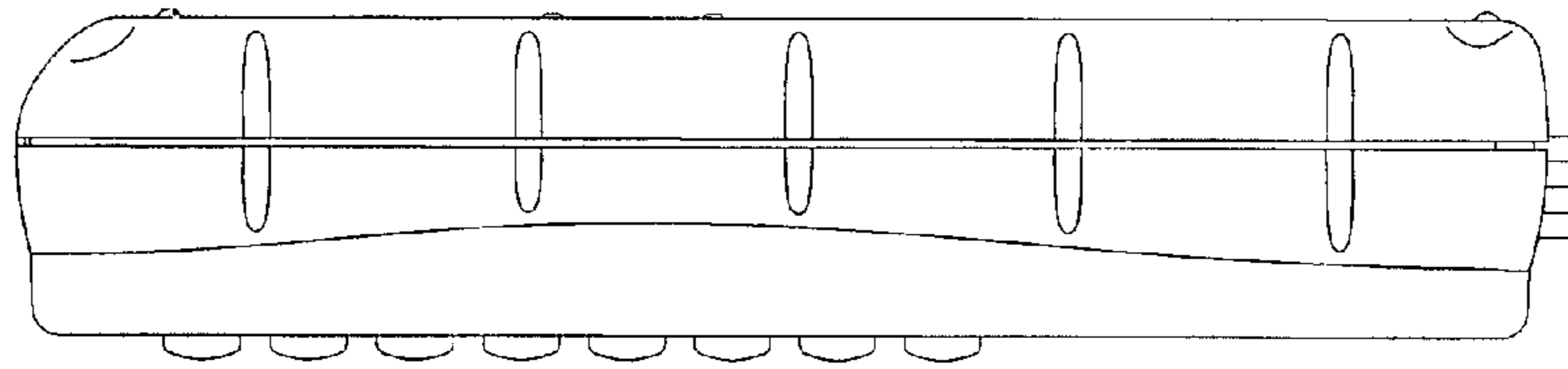


FIG. 3

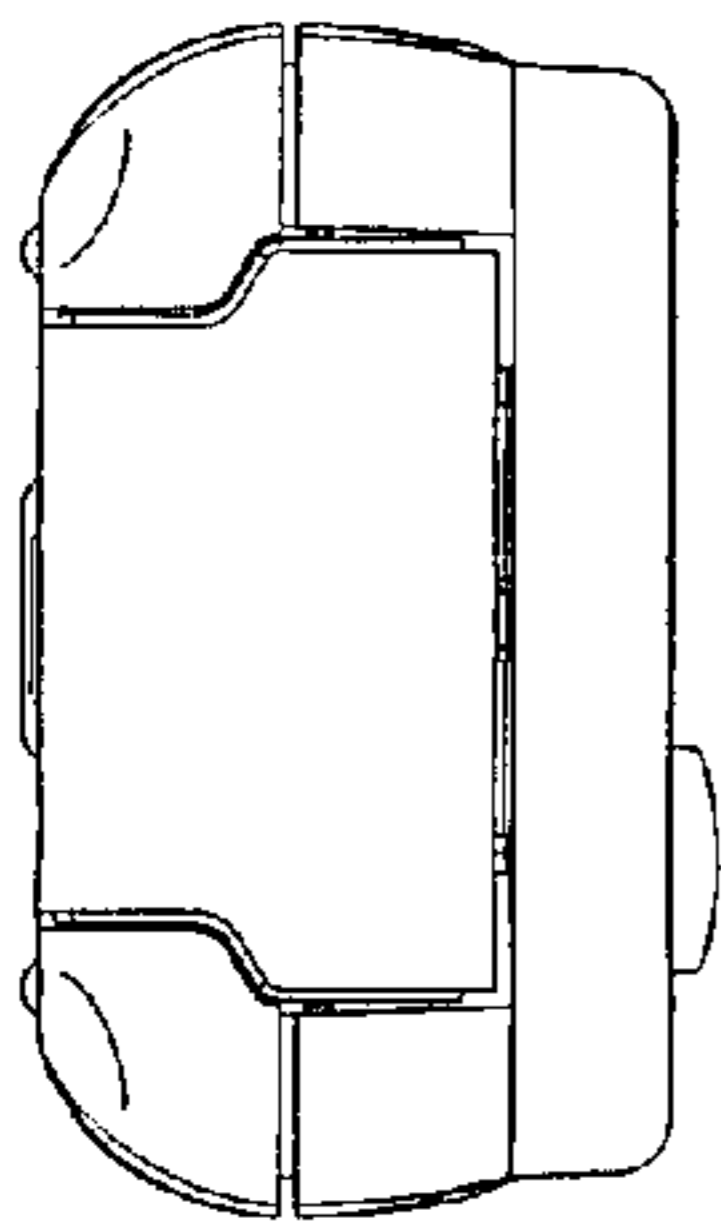


FIG. 6

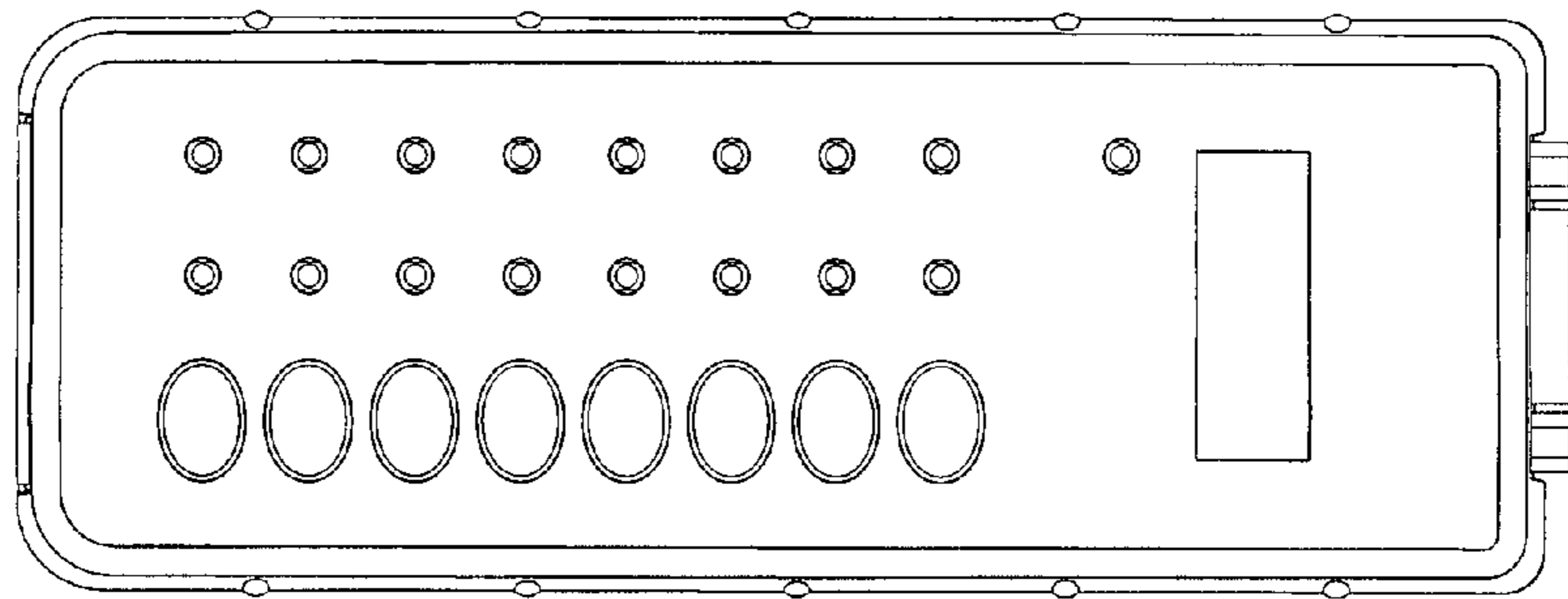


FIG. 1

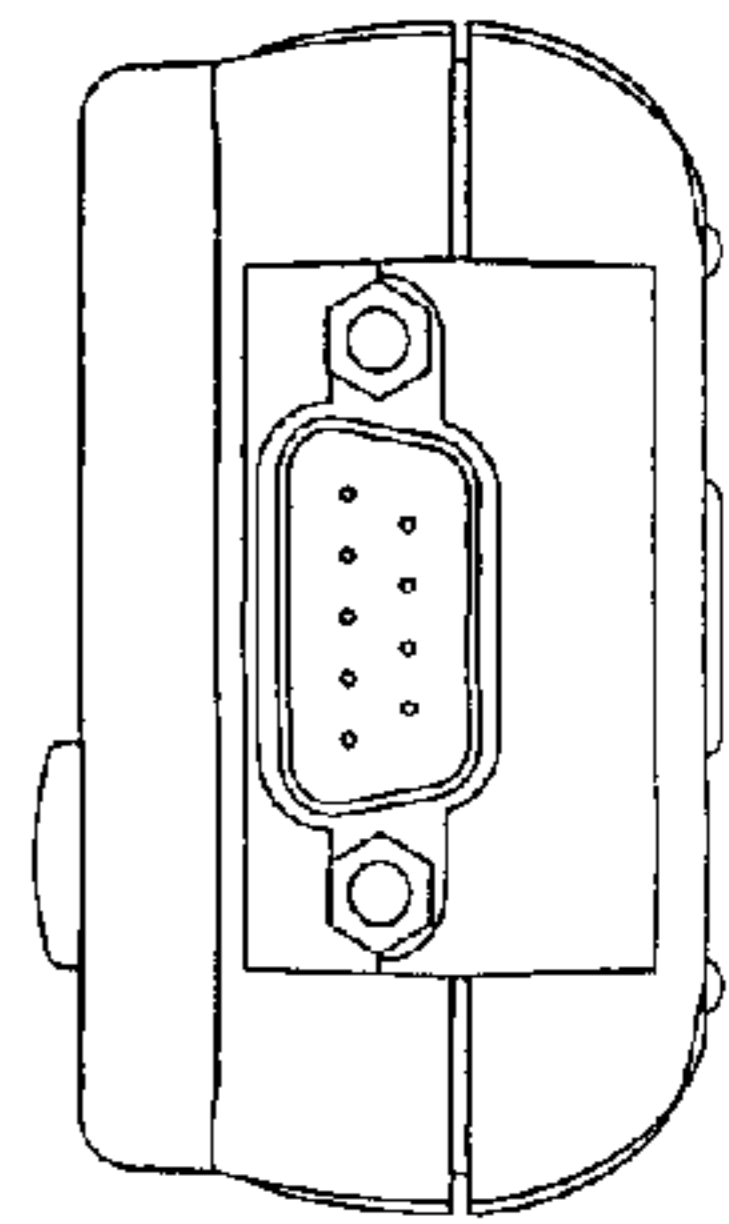


FIG. 5

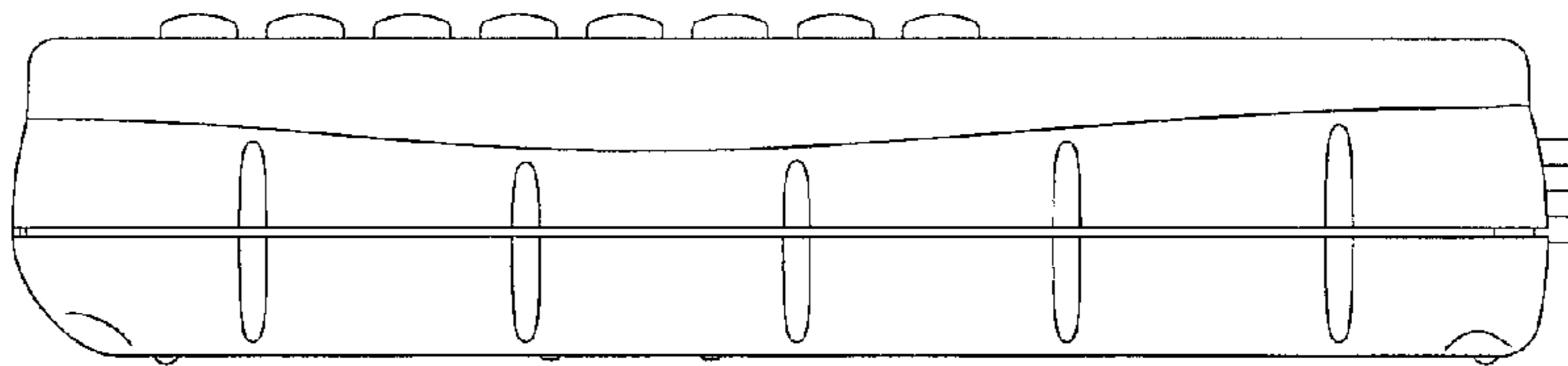


FIG. 2

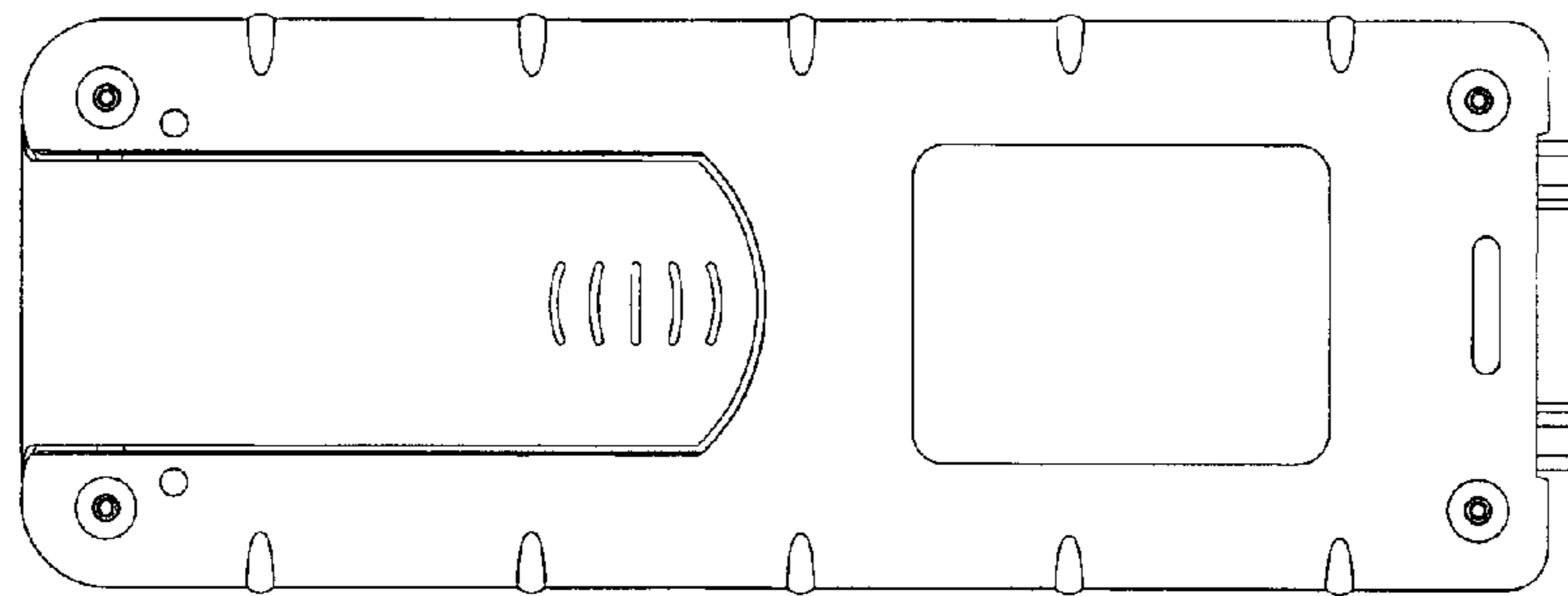


FIG. 4