



US00D551995S

(12) **United States Design Patent**  
**Ahsen-Böre**

(10) **Patent No.:** **US D551,995 S**

(45) **Date of Patent:** **\*\* Oct. 2, 2007**

(54) **MEASURING DEVICE**

(76) Inventor: **Vasif Ahsen-Böre**, Boomgaarden 5,  
Knokke-Heist (BE) 8300

(\*\*) Term: **14 Years**

(21) Appl. No.: **29/242,584**

(22) Filed: **Nov. 10, 2005**

(30) **Foreign Application Priority Data**

May 20, 2005 (EM) ..... 000347844-0003

(51) **LOC (8) Cl.** ..... **10-04**

(52) **U.S. Cl.** ..... **D10/70; D24/140**

(58) **Field of Classification Search** ..... D10/70;  
D24/140, 180; 33/513, 514, 810-813; 433/72,  
433/76

See application file for complete search history.

(56) **References Cited**

**U.S. PATENT DOCUMENTS**

D266,188 S \* 9/1982 Seeley et al. .... D24/140

D310,044 S \* 8/1990 Alberts et al. .... D10/73

5,947,726 A \* 9/1999 Takeuchi et al. .... 33/514  
6,347,940 B1 \* 2/2002 Gordils Wallis ..... 33/513  
D508,564 S \* 8/2005 Santos ..... D24/140

\* cited by examiner

*Primary Examiner*—Antoine D. Davis

(74) *Attorney, Agent, or Firm*—Marshall, Gerstein & Borun  
LLP

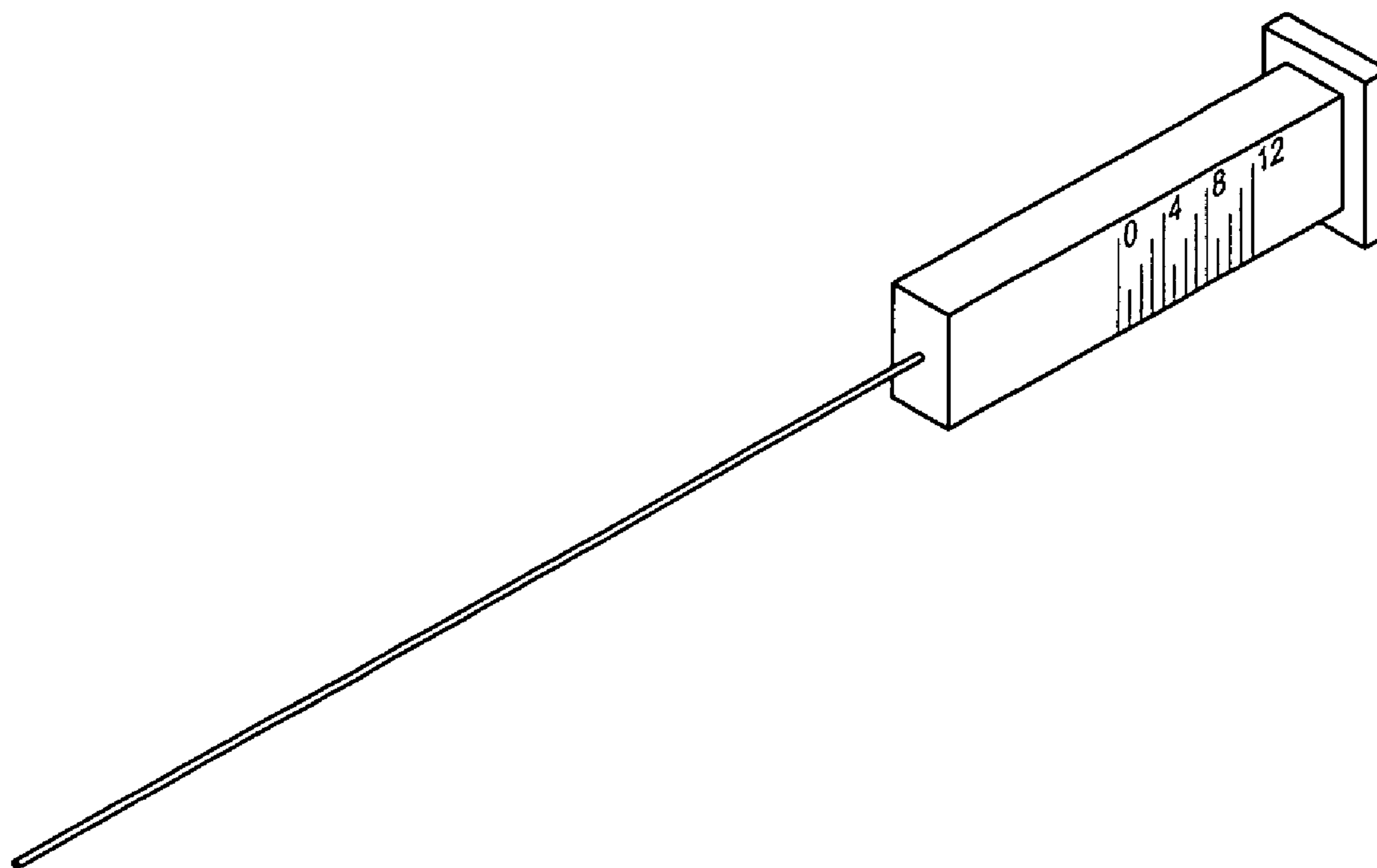
(57) **CLAIM**

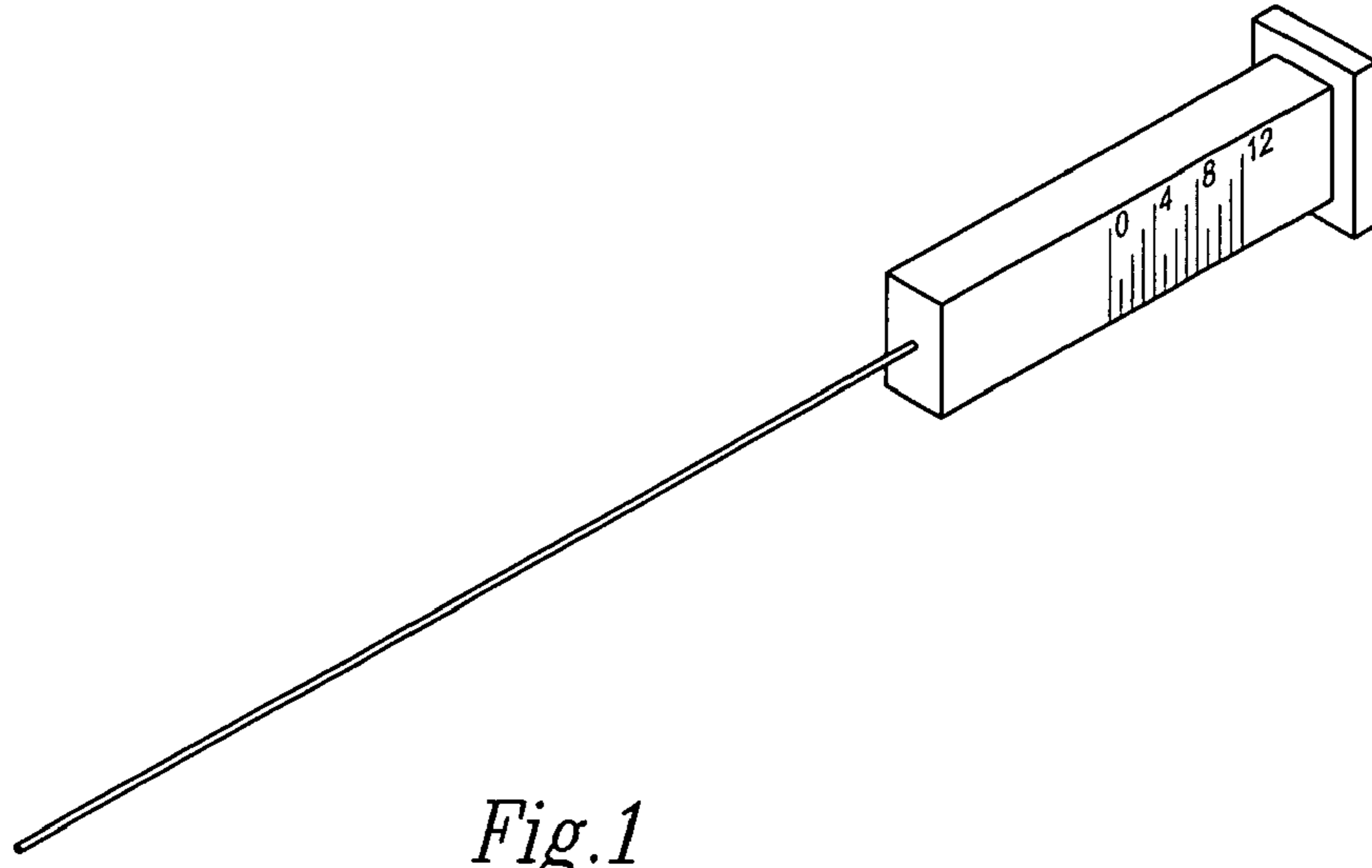
I claim the ornamental design for a part of a measuring  
device, as shown and described hereinbefore.

**DESCRIPTION**

FIG. 1. is a perspective view;  
FIG. 2. is a plan view from above;  
FIG. 3. is a side view;  
FIG. 4. is a side view from opposite side;  
FIG. 5. is a plan view from the front; and,  
FIG. 6. is a plan view from the back.

**1 Claim, 1 Drawing Sheet**

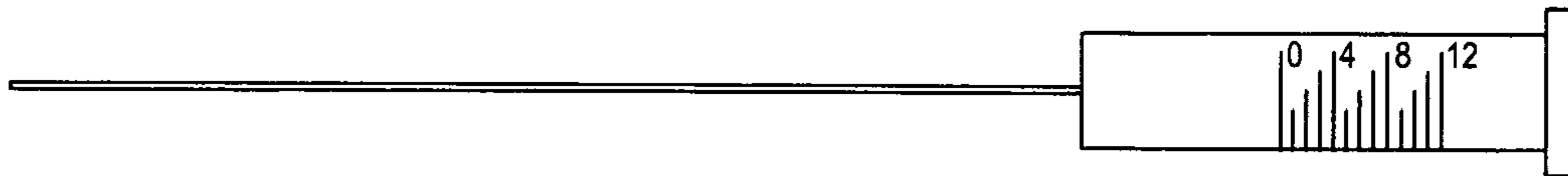




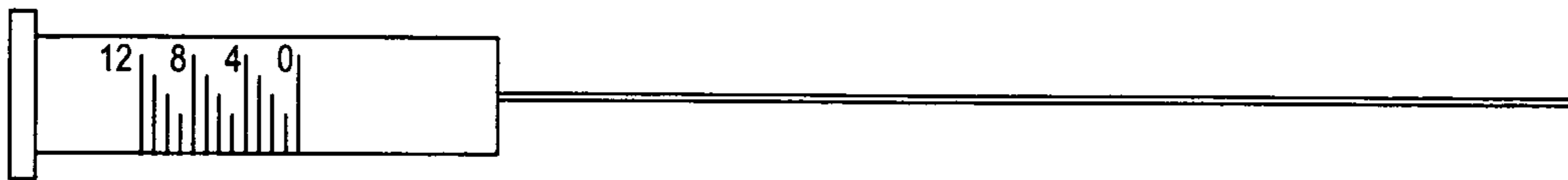
*Fig. 1*



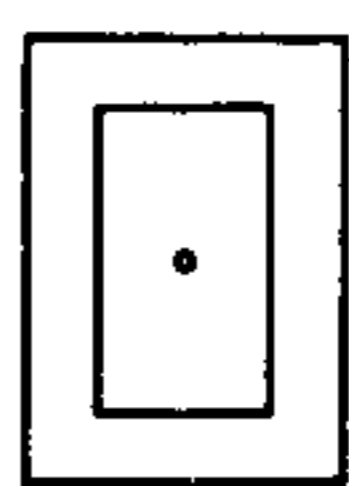
*Fig. 2*



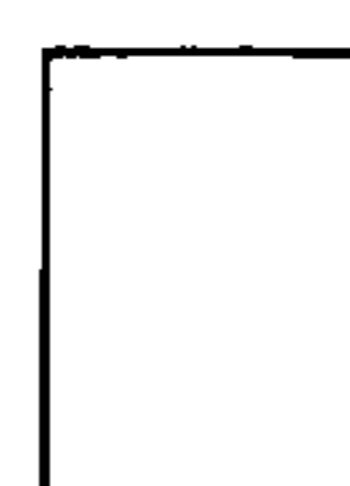
*Fig. 3*



*Fig. 4*



*Fig. 5*



*Fig. 6*