



US00D551994S

(12) **United States Design Patent**
Ahsen-Bore

(10) **Patent No.:** **US D551,994 S**

(45) **Date of Patent:** **** Oct. 2, 2007**

(54) **DENTAL INSTRUMENT FOR MEASURING DEPTH**

6,347,940 B1 * 2/2002 Gordils Wallis 33/513
D508,564 S * 8/2005 Santos D24/140

(76) Inventor: **Vasif Ahsen-Bore**, Boomgaarden 5,
8300 Knokke-Heist (BE)

* cited by examiner

Primary Examiner—Antoine D. Davis

(**) Term: **14 Years**

(74) *Attorney, Agent, or Firm*—Marshall, Gerstein & Borun
LLP

(21) Appl. No.: **29/233,569**

(57) **CLAIM**

(22) Filed: **Jul. 6, 2005**

I claim the ornamental design for a dental instrument for measuring depth, as shown and described.

(30) **Foreign Application Priority Data**

May 20, 2005 (EM) 000347844-0002

DESCRIPTION

(51) **LOC (8) Cl.** **10-04**

FIG. 1. is a perspective view showing the device measuring one depth;

(52) **U.S. Cl.** **D10/70; D24/140**

FIG. 2. is a left hand side view of the device measuring another depth;

(58) **Field of Classification Search** D10/70;
D24/140, 180; 33/513, 514, 810–813; 433/72,
433/76

FIG. 3. is a right hand side view of the device seen in FIG. 2;

See application file for complete search history.

FIG. 4. is a plan view from below;

(56) **References Cited**

U.S. PATENT DOCUMENTS

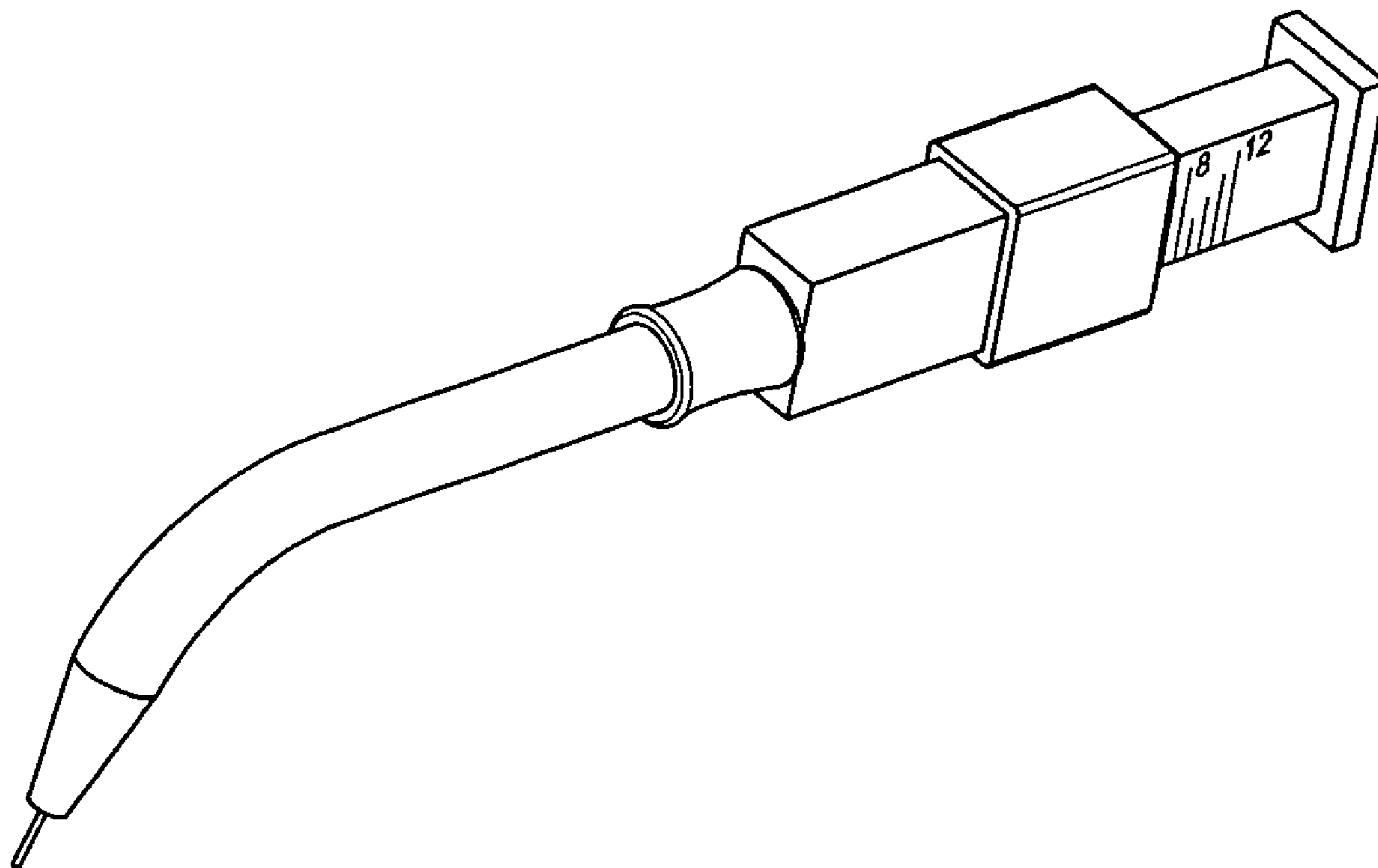
D266,188 S * 9/1982 Seeley et al. D24/140
D310,044 S * 8/1990 Alberts et al. D10/73
5,947,726 A * 9/1999 Takeuchi et al. 33/514

FIG. 5. is a plan view from above;

FIG. 6. is a plan view from the front; and,

FIG. 7. is a plan view from the rear side.

1 Claim, 3 Drawing Sheets



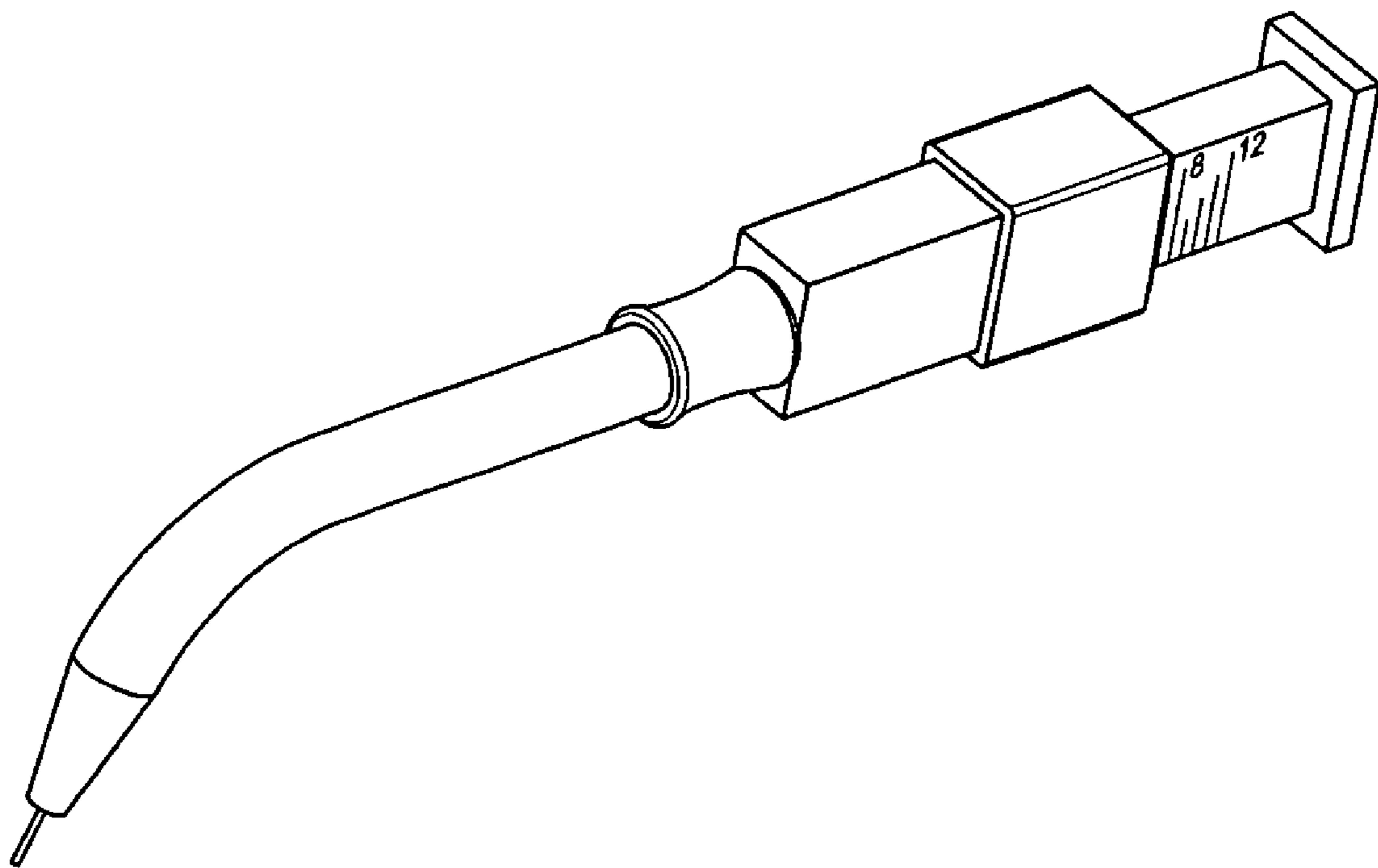


Fig. 1

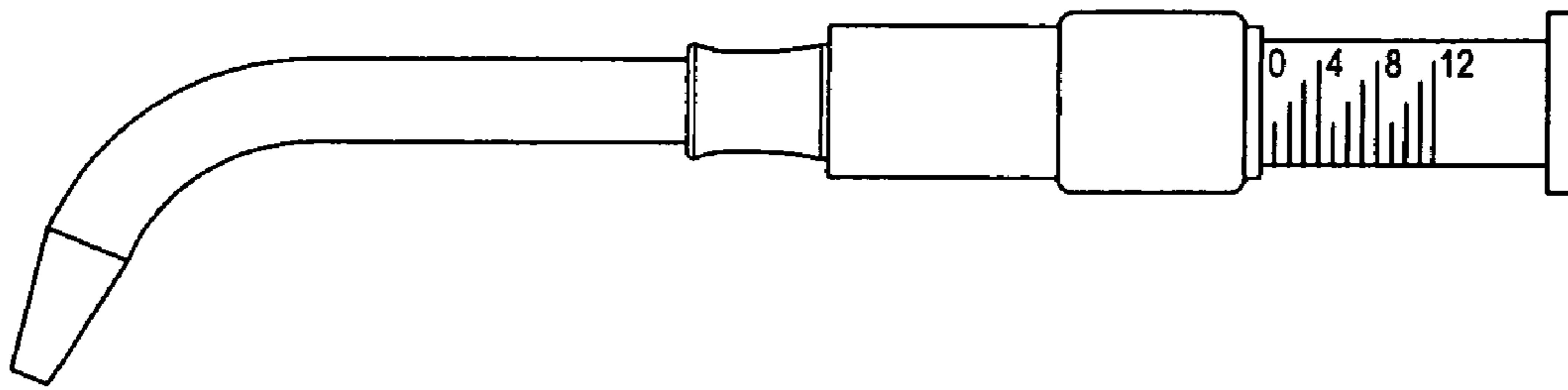


Fig. 2

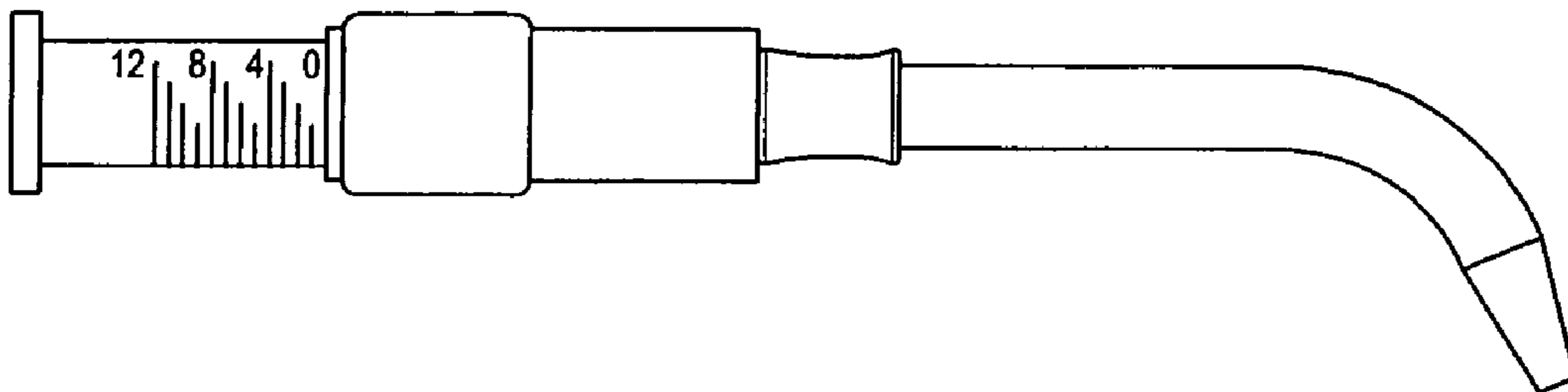


Fig. 3

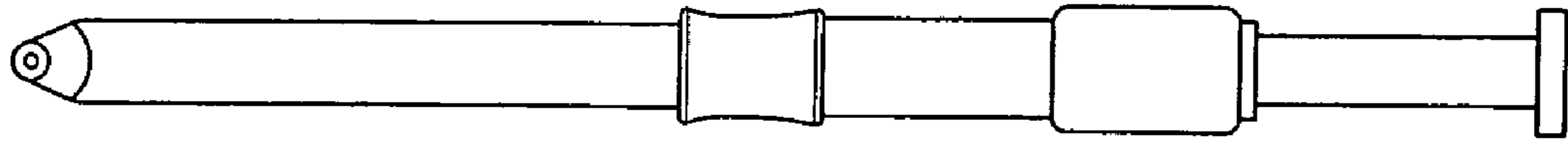


Fig. 4

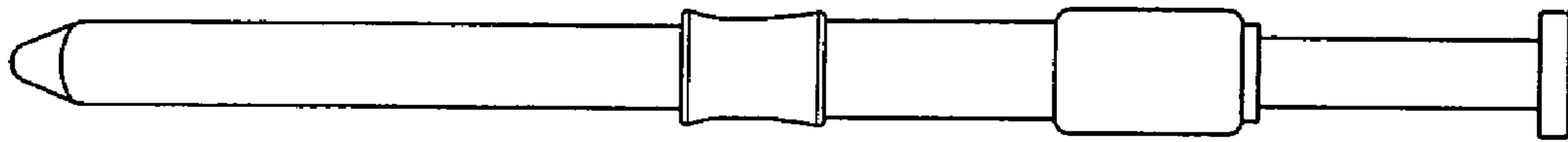


Fig. 5

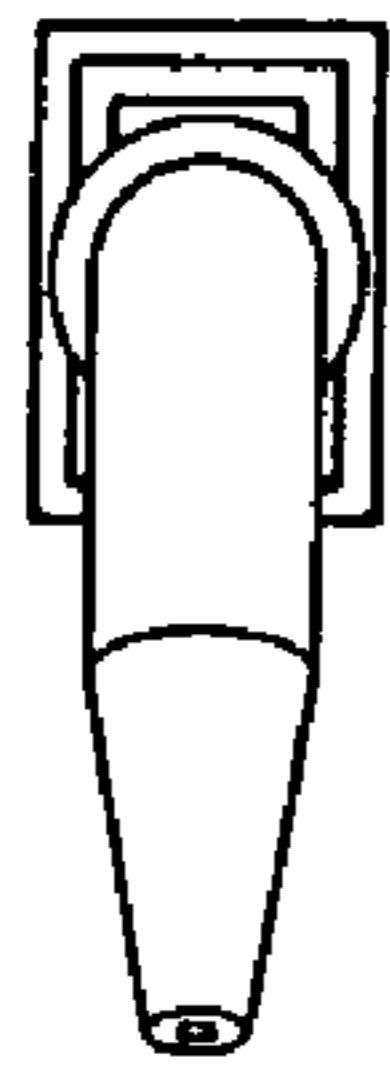


Fig. 6

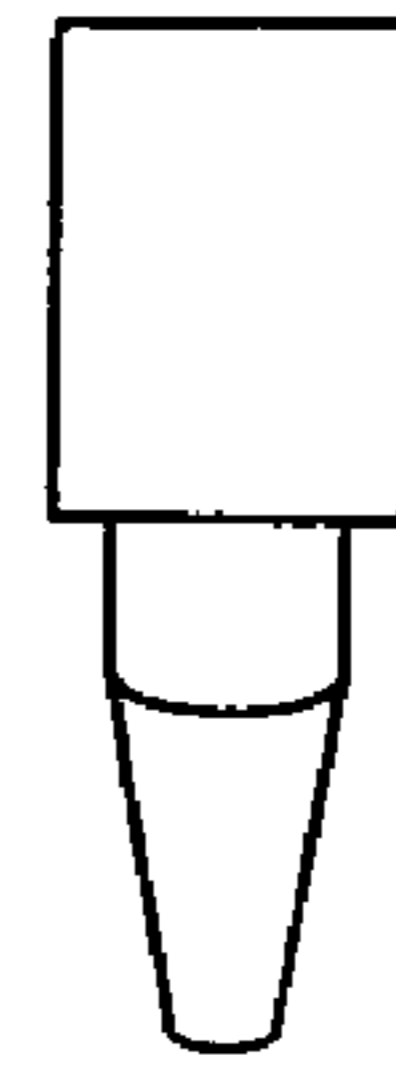


Fig. 7