



US00D551993S

(12) **United States Design Patent**
Kachi

(10) **Patent No.:** **US D551,993 S**

(45) **Date of Patent:** **** Oct. 2, 2007**

(54) **WATCH CASE**

(75) Inventor: **Koji Kachi**, Kokubunji (JP)

(73) Assignee: **Casio Keisanki Kabushiki Kaisha**,
Tokyo (JP)

(**) Term: **14 Years**

(21) Appl. No.: **29/271,796**

(22) Filed: **Jan. 26, 2007**

(51) **LOC (8) Cl.** **10-02**

(52) **U.S. Cl.** **D10/38**

(58) **Field of Classification Search** D10/30-39;
368/276, 277, 281, 282, 285, 29-30, 80,
368/82-84, 223, 228, 239-242, 232, 21,
368/28

See application file for complete search history.

(56) **References Cited**

U.S. PATENT DOCUMENTS

D413,527 S *	9/1999	Hanagata	D10/30
D426,780 S *	6/2000	Goto et al.	D10/30
D442,500 S *	5/2001	Moriai	D10/30
D451,825 S *	12/2001	Hanagata	D10/30
D486,402 S *	2/2004	Shoubayashi	D10/30
D488,389 S *	4/2004	Moriai et al.	D10/30
D489,999 S *	5/2004	Yamamoto	D10/30

D495,962 S *	9/2004	Oshita	D10/30
D496,868 S *	10/2004	Yamamoto	D10/30
D504,829 S *	5/2005	Moriai	D10/30
D526,213 S *	8/2006	Moriai et al.	D10/38
D526,214 S *	8/2006	Morishima et al.	D10/38
D526,578 S *	8/2006	Ikezu et al.	D10/38
D527,282 S *	8/2006	Nakai et al.	D10/38

* cited by examiner

Primary Examiner—Lucy Lieberman

(74) *Attorney, Agent, or Firm*—Frishauf, Holtz, Goodman & Chick, P.C.

(57) **CLAIM**

The ornamental design for a watch case, as shown.

DESCRIPTION

FIG. 1 is a front, right side, bottom perspective view of a watch case showing my new design;

FIG. 2 is a front elevational view thereof;

FIG. 3 is a rear elevational view thereof;

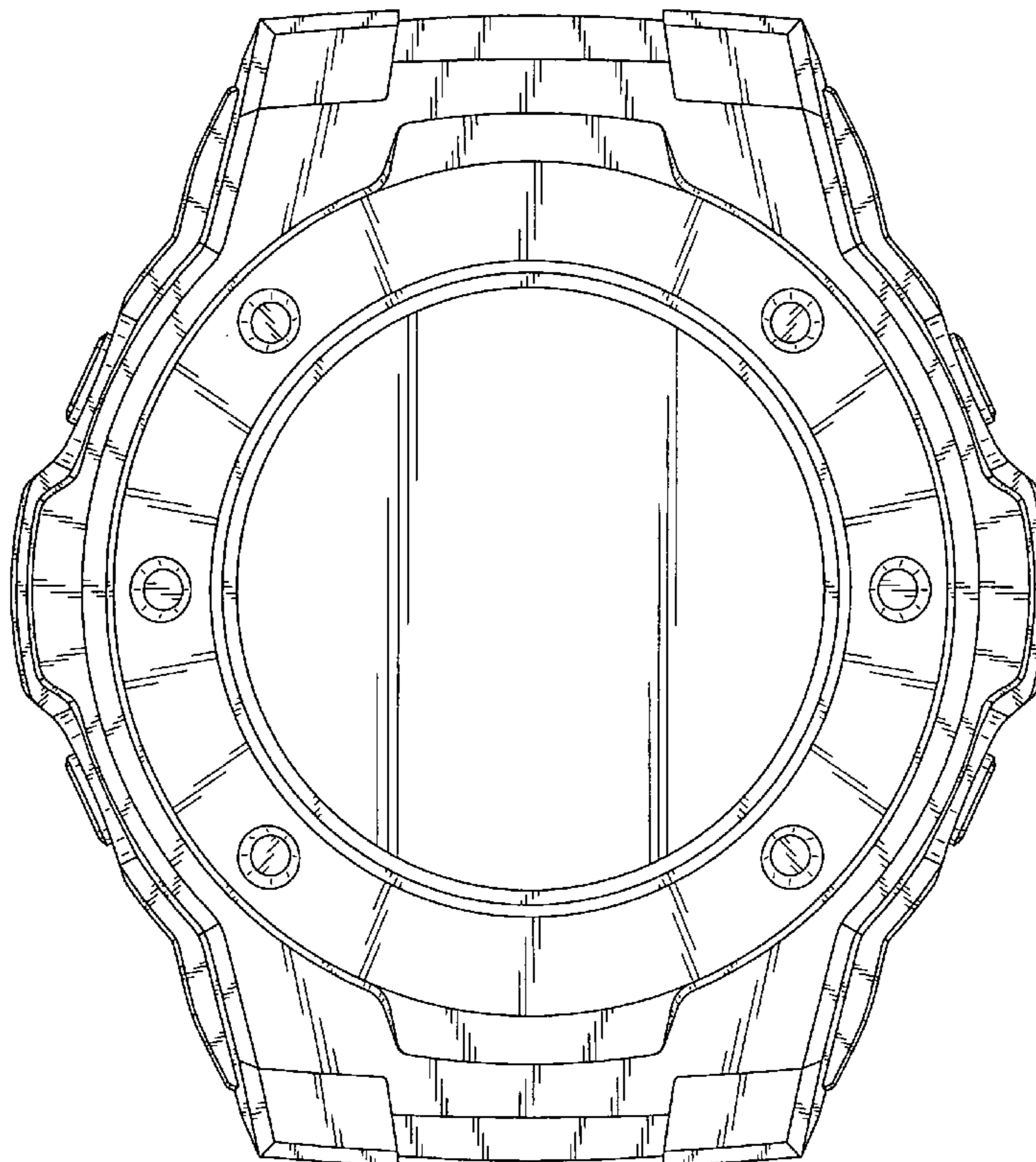
FIG. 4 is a left side view thereof;

FIG. 5 is a right side view thereof;

FIG. 6 is a top plan view thereof; and,

FIG. 7 is a bottom plan view thereof.

1 Claim, 6 Drawing Sheets



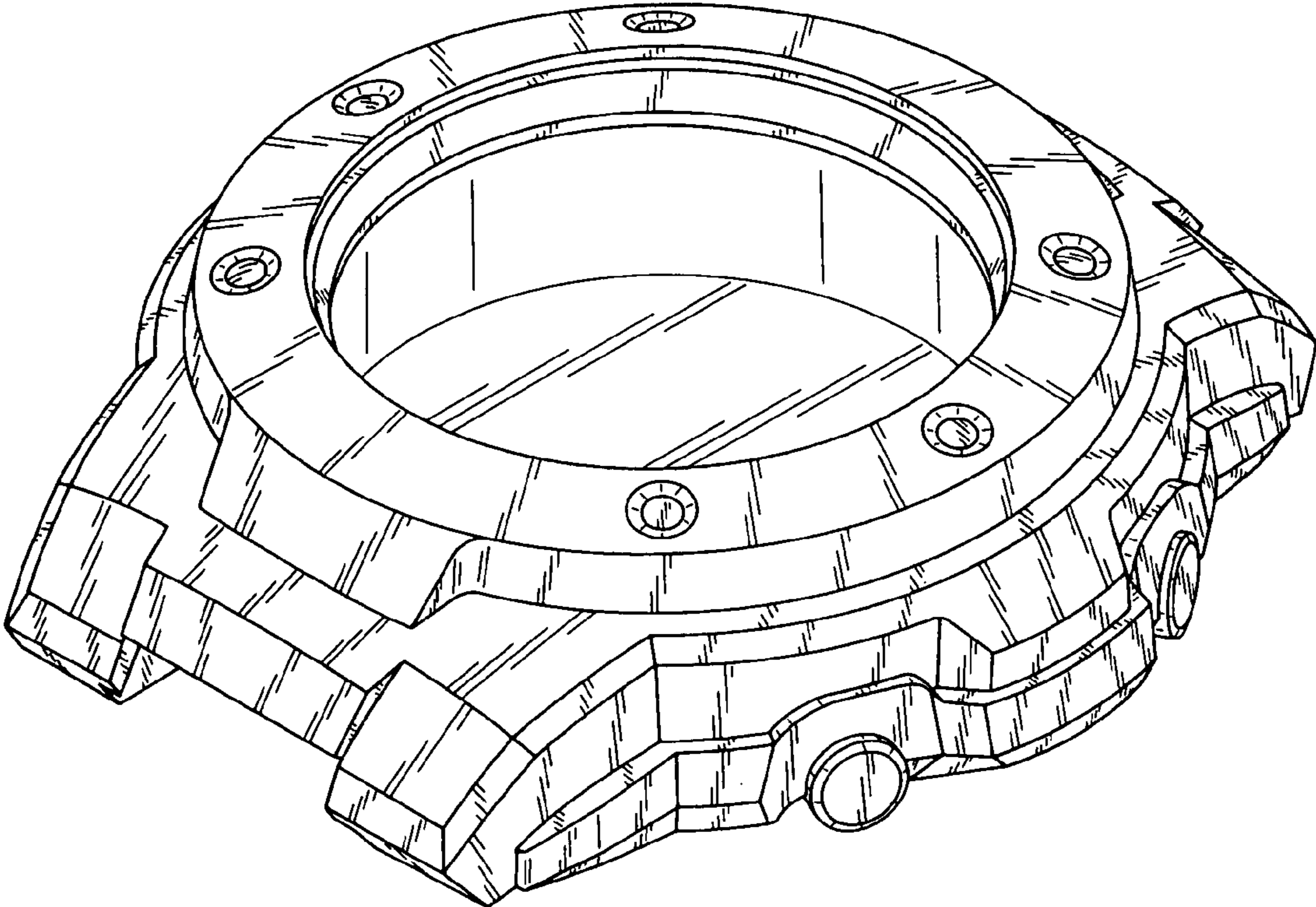


FIG. 1

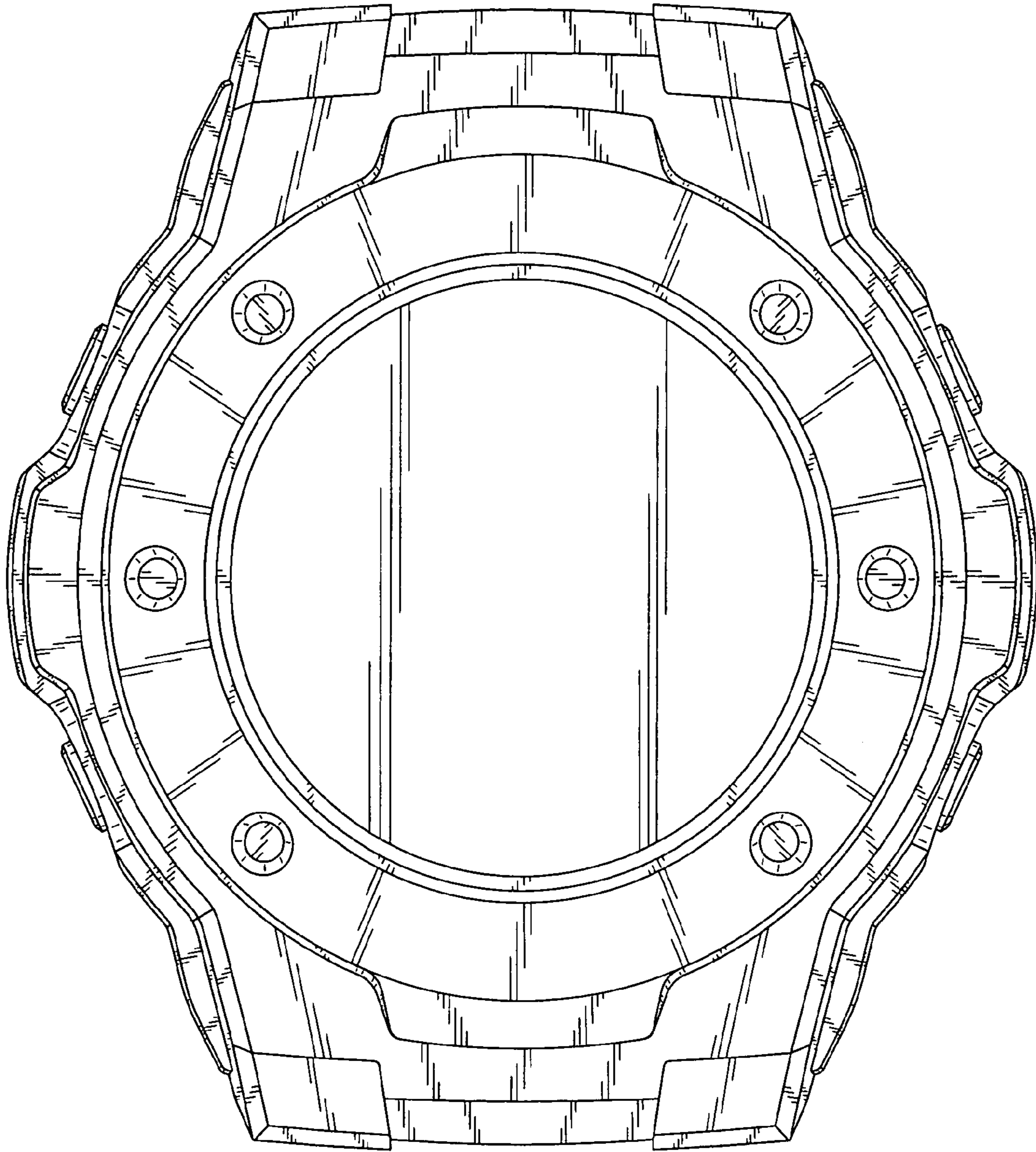


FIG. 2

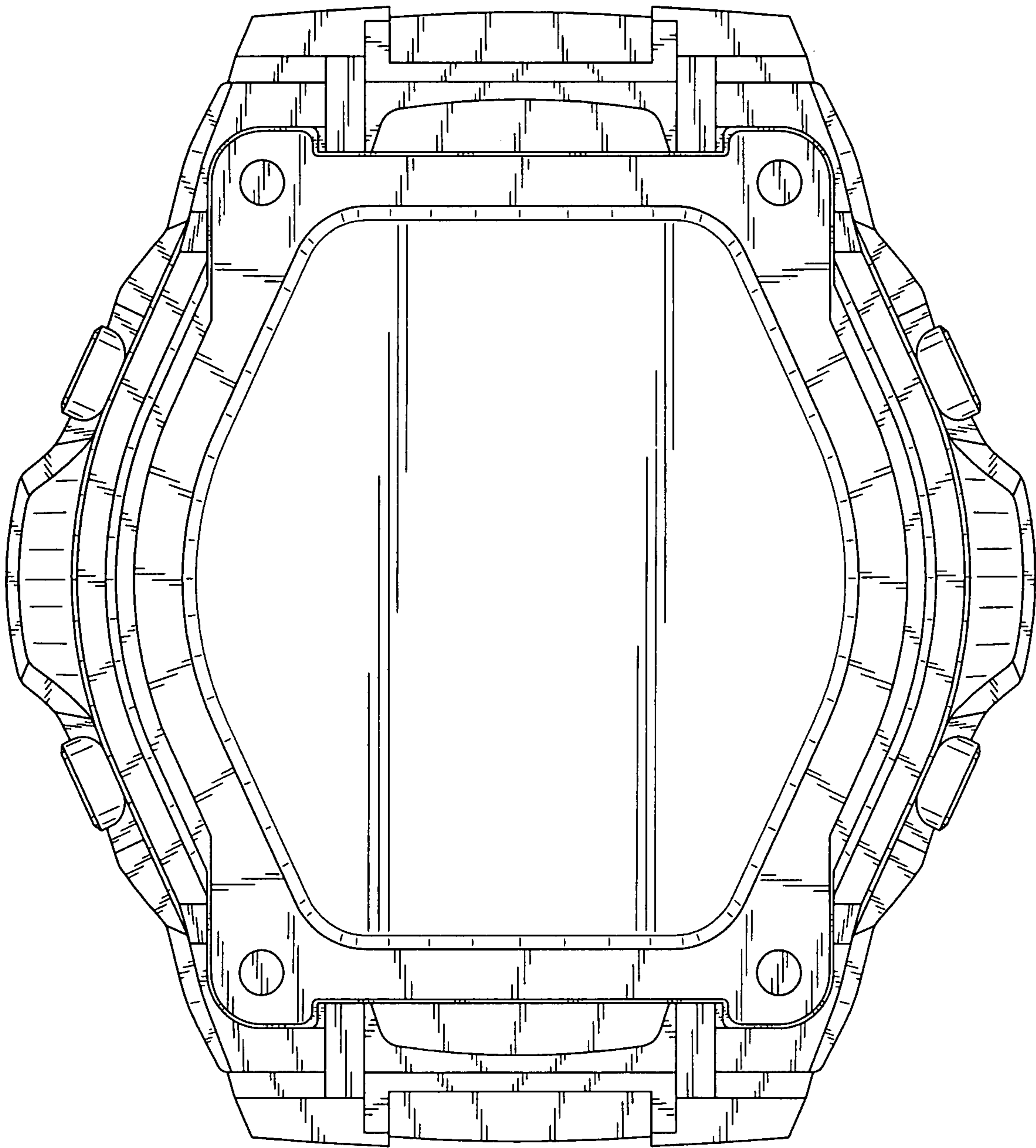


FIG. 3

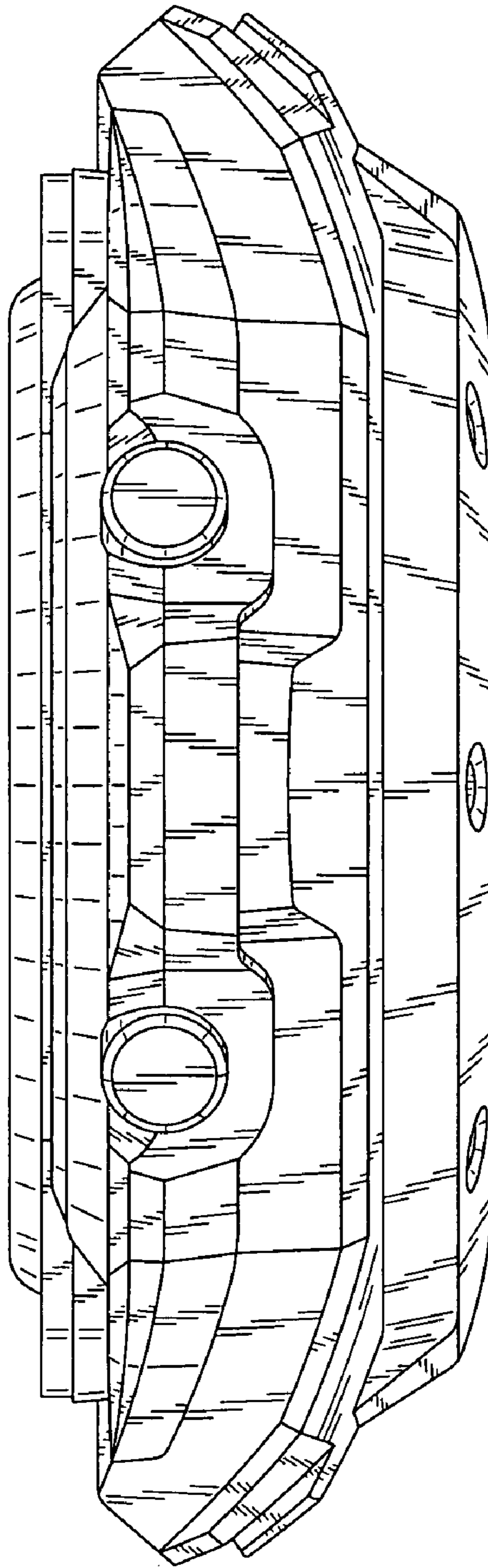


FIG. 4

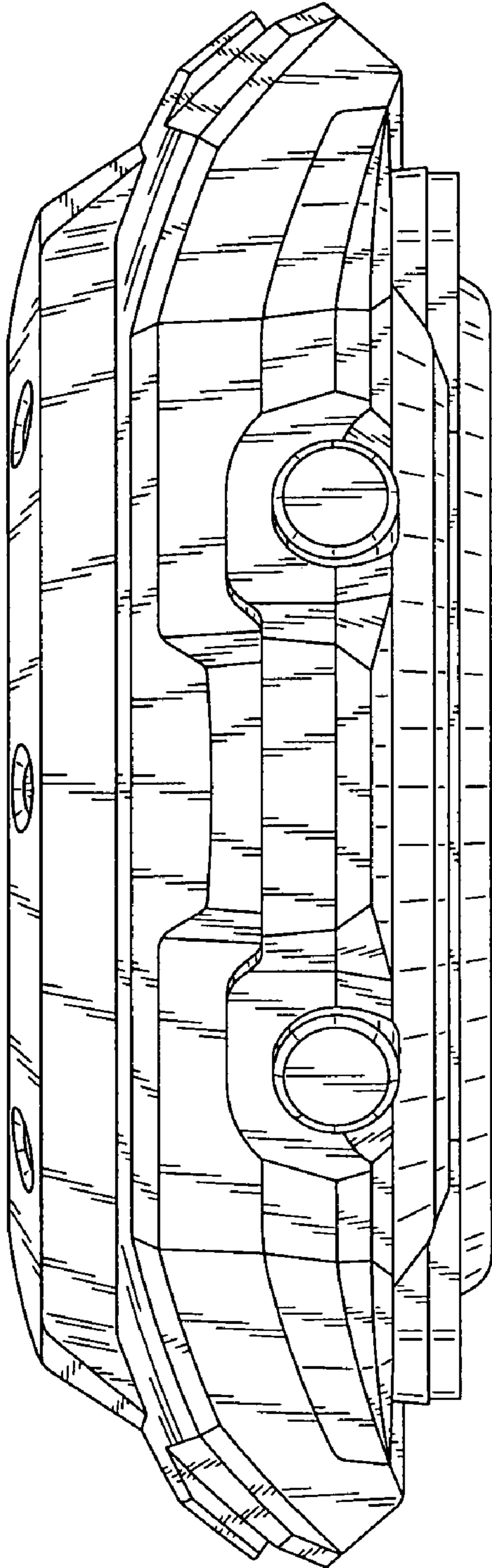


FIG. 5

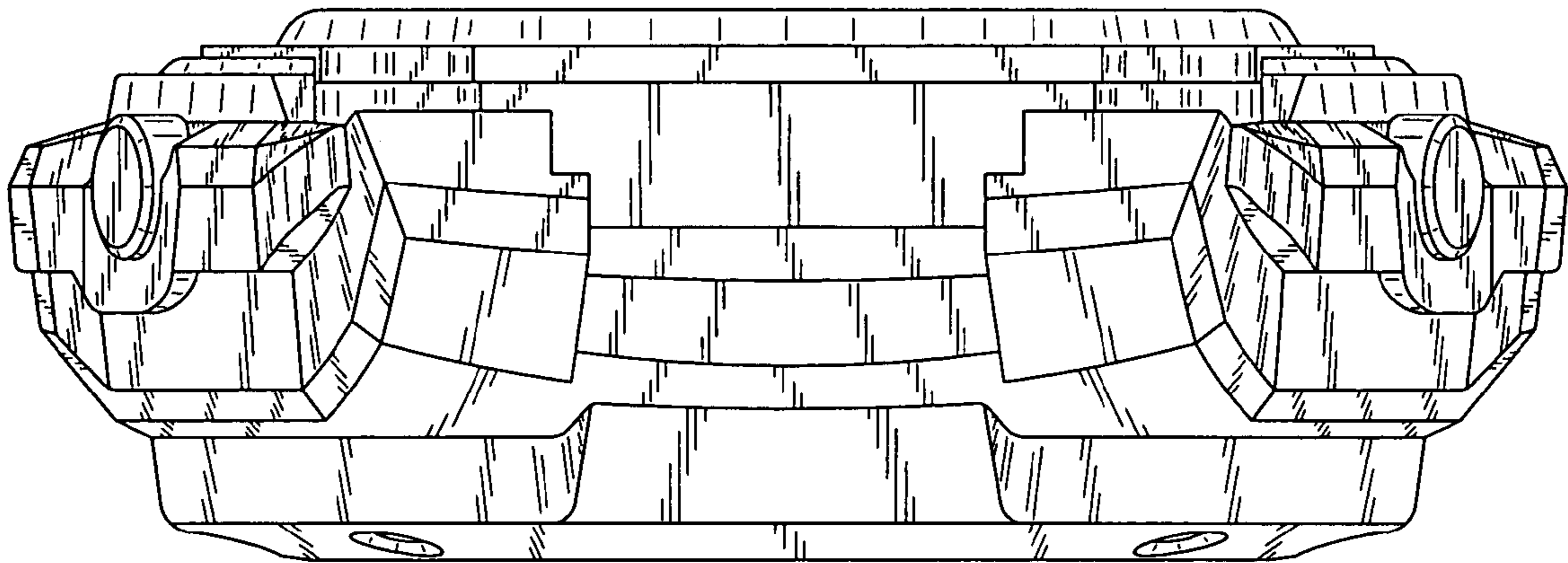


FIG. 6

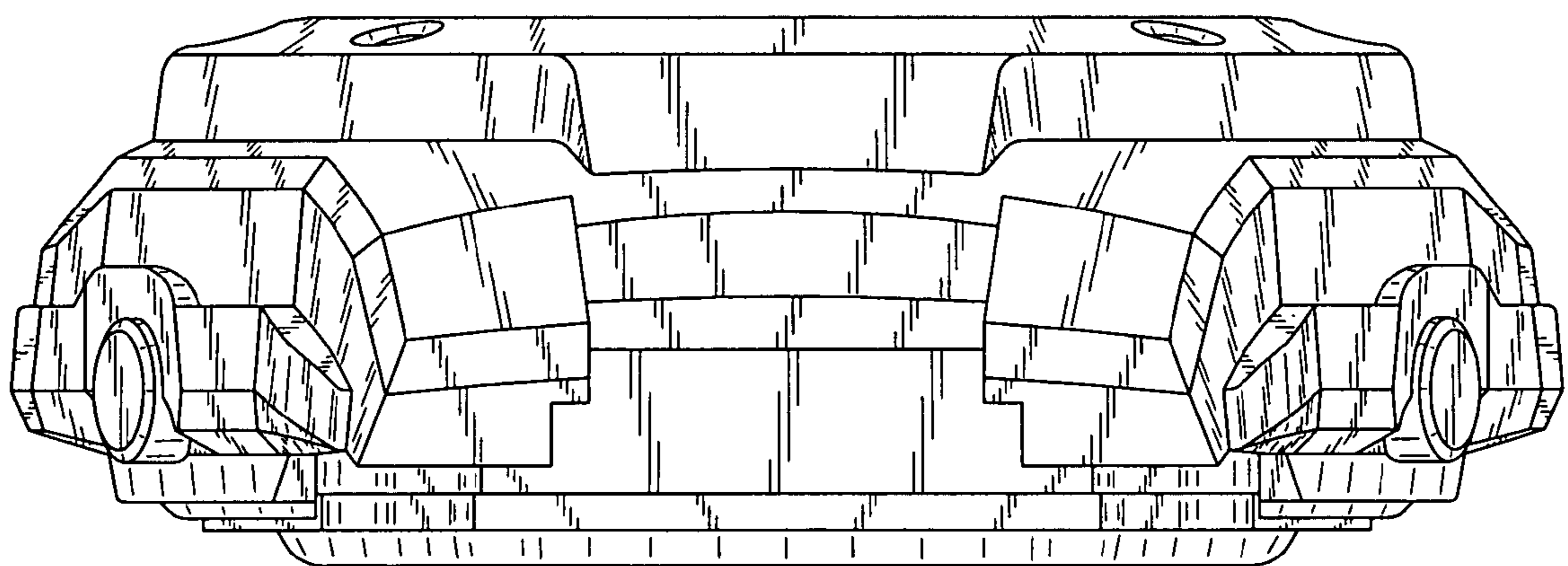


FIG. 7