



US00D551988S

(12) **United States Design Patent**
Oliver

(10) **Patent No.:** **US D551,988 S**

(45) **Date of Patent:** **** Oct. 2, 2007**

(54) **PACK OF CONTAINERS**

(75) Inventor: **Martin Oliver**, Runcorn (GB)

(73) Assignee: **Norton Healthcare Limited**, London (GB)

(**) Term: **14 Years**

(21) Appl. No.: **29/255,160**

(22) Filed: **Mar. 3, 2006**

(30) **Foreign Application Priority Data**

Sep. 6, 2005 (GB) 000397658-0002

(51) **LOC (8) Cl.** **09-03**

(52) **U.S. Cl.** **D9/696**

(58) **Field of Classification Search** D9/695-699,
D9/414-433, 521, 544, 711, 435, 440, 454,
D9/723-724; 206/820, 484, 478-480; 222/94,
222/97, 107; 220/23.4, 23.83, 23.2
See application file for complete search history.

(56) **References Cited**

U.S. PATENT DOCUMENTS

4,502,616 A * 3/1985 Meierhoefer 222/215
D282,348 S * 1/1986 Federighi D9/696
D289,200 S * 4/1987 Newell D24/117
D309,097 S * 7/1990 Price D9/696

4,951,822 A * 8/1990 Fontana et al. 206/530
D314,135 S * 1/1991 Newell et al. D9/696
D316,963 S * 5/1991 Mancini D9/696
D329,976 S * 10/1992 Newell et al. D9/696
D330,160 S * 10/1992 Umekawa D9/696
D331,009 S * 11/1992 Dahl D9/696
D342,444 S * 12/1993 Smith D9/696

* cited by examiner

Primary Examiner—Caron D. Veynar

Assistant Examiner—Abraham Bahta

(74) *Attorney, Agent, or Firm*—Christensen O'Connor Johnson Kindness PLLC

(57) **CLAIM**

The ornamental design for a pack of containers, as shown.

DESCRIPTION

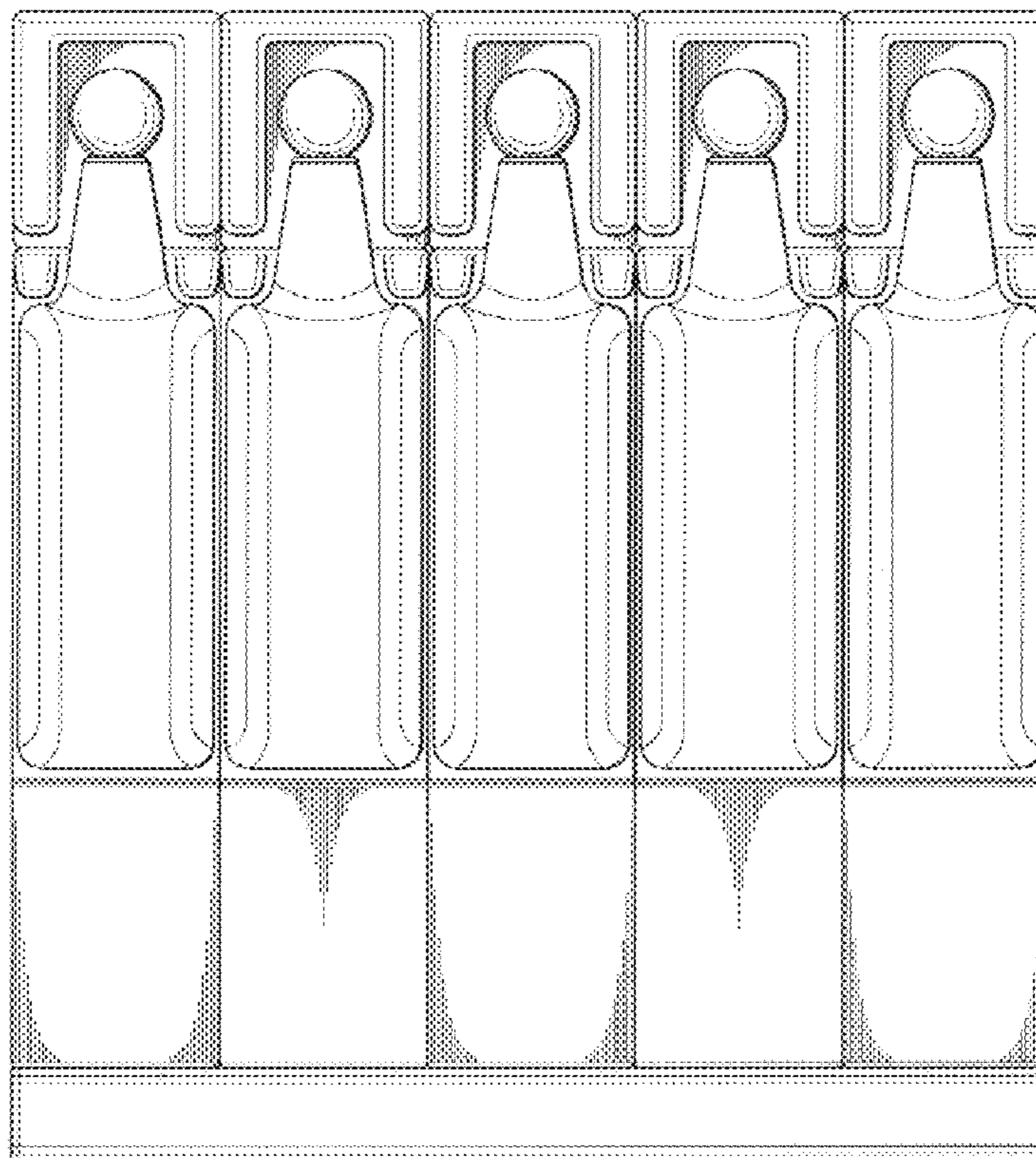
FIG. 1 is a front planar view of a pack of containers constructed in accordance with one embodiment of the present disclosure;

FIG. 2 is a side planar view of the pack of containers of FIG. 1;

FIG. 3 is a top planar view of the pack of containers of FIG. 1; and,

FIG. 4 is a bottom planar view of the pack of containers of FIG. 1.

1 Claim, 3 Drawing Sheets



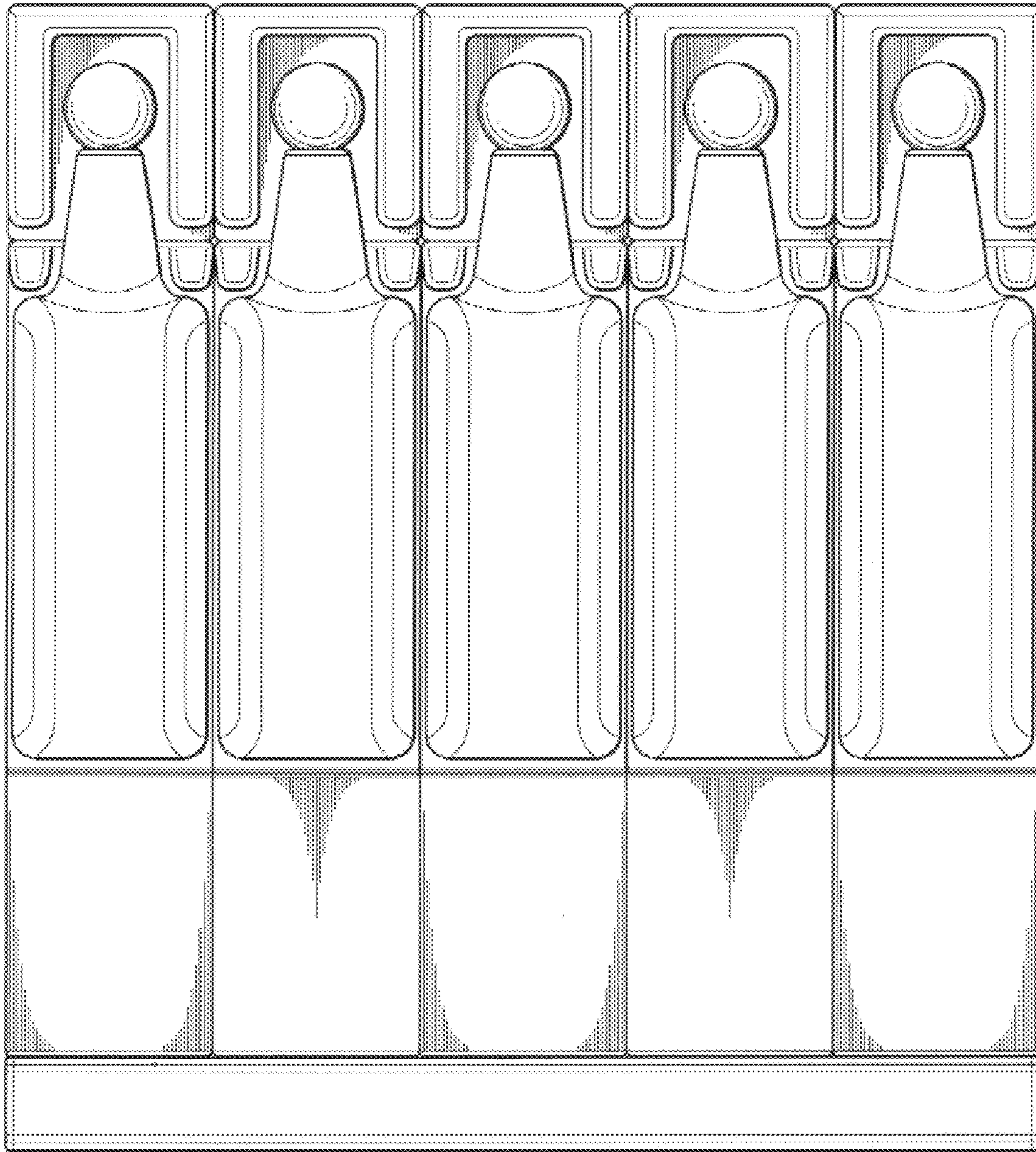


Fig. 1.

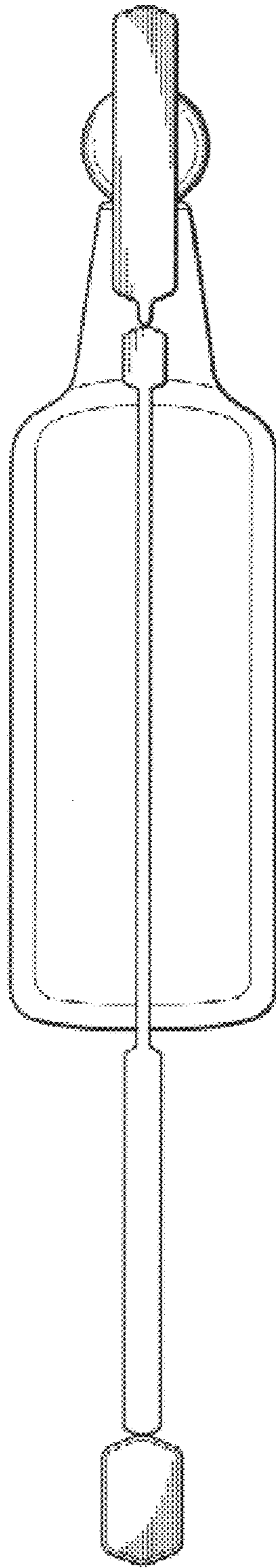


Fig. 2.

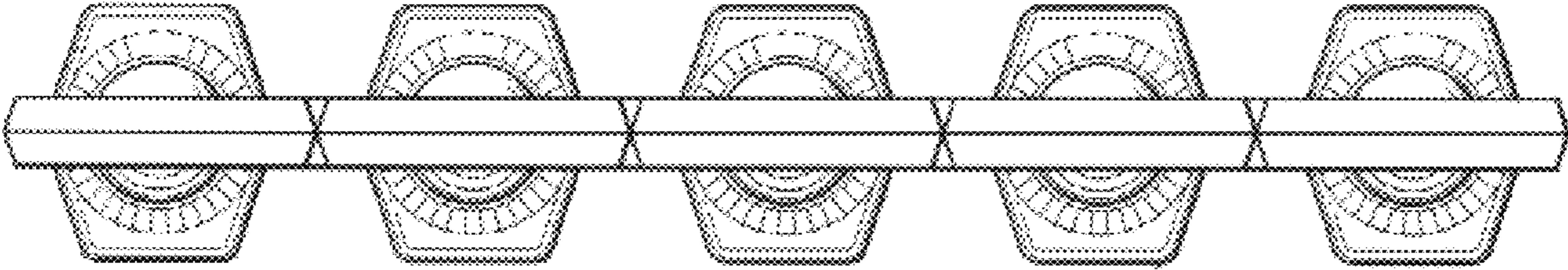


Fig.3.

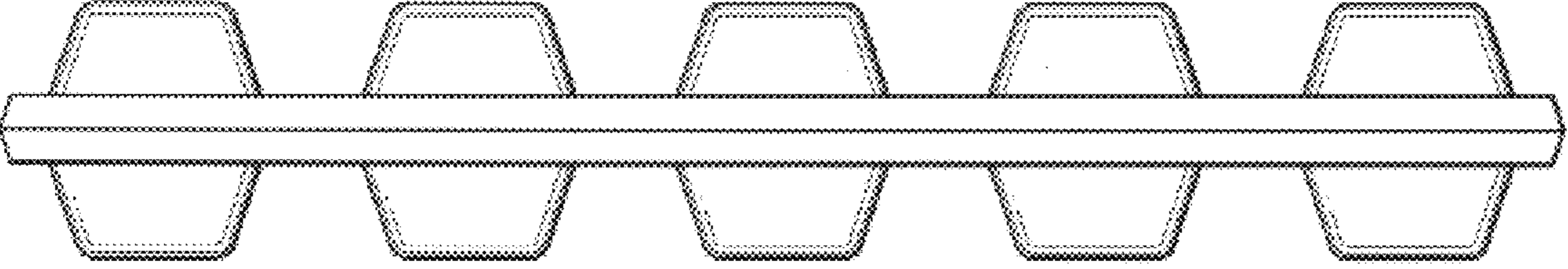


Fig.4.

UNITED STATES PATENT AND TRADEMARK OFFICE
CERTIFICATE OF CORRECTION

PATENT NO. : Des. 551,988 S
APPLICATION NO. : 29/255160
DATED : October 2, 2007
INVENTOR(S) : M. Oliver

Page 1 of 1

It is certified that error appears in the above-identified patent and that said Letters Patent is hereby corrected as shown below:

On the title page, item:

(30)	Foreign	“(GB)” should read --(EM)--
Pg. 1, col. 1	Appl.	
	Priority	
	Data	

Signed and Sealed this

Sixteenth Day of December, 2008



JON W. DUDAS

Director of the United States Patent and Trademark Office