



US00D551981S

(12) **United States Design Patent**
Feen

(10) **Patent No.:** **US D551,981 S**

(45) **Date of Patent:** **** Oct. 2, 2007**

(54) **NECK PORTION OF A BOTTLE**

(75) Inventor: **Stuart Feen**, Grayslake, IL (US)

(73) Assignee: **Plastic Bottle Corporation**,
Libertyville, IL (US)

(**) Term: **14 Years**

(21) Appl. No.: **29/264,240**

(22) Filed: **Aug. 7, 2006**

(51) **LOC (8) Cl.** **09-01**

(52) **U.S. Cl.** **D9/516; D9/570**

(58) **Field of Classification Search** D9/682-694,
D9/502, 516, 520, 523-528, 530-531, 538,
D9/541, 546, 557, 563-564, 570-575; 215/381-385,
215/396, 398, 400

See application file for complete search history.

(56) **References Cited**

U.S. PATENT DOCUMENTS

D98,426 S *	2/1936	Fuerst	D9/542
D166,017 S *	2/1952	Barq	D9/502
D186,055 S *	9/1959	Sterges	D9/502
D193,910 S *	10/1962	Sterges	D9/531
D194,244 S *	12/1962	Denhoff et al.	D9/531
D194,409 S *	1/1963	Platte	D9/531
D194,630 S *	2/1963	Worthington	D9/531
D196,148 S *	8/1963	Sterges	D9/557 X
D206,828 S *	1/1967	Fox	D9/531
D208,503 S *	9/1967	Swayze et al.	D9/531

D209,475 S *	12/1967	Trombley et al.	D9/522
D315,295 S *	3/1991	Reece et al.	D9/557
D358,990 S *	6/1995	Wilson et al.	D9/523
D413,808 S *	9/1999	Bolliger et al.	D9/523 X
D429,159 S *	8/2000	Feen	D9/523
D447,421 S *	9/2001	Kipperman et al.	D9/570 X

* cited by examiner

Primary Examiner—Carol Rademaker

(74) *Attorney, Agent, or Firm*—Wood, Phillips, Katz, Clark & Mortimer

(57) **CLAIM**

The ornamental design for a neck portion of a bottle, substantially as shown and described.

DESCRIPTION

FIG. 1 is a front, left side, and top perspective view of a neck portion of a bottle showing my new design;

FIG. 2 is a rear elevational view thereof;

FIG. 3 is a front elevational view thereof;

FIG. 4 is a right side elevational view thereof;

FIG. 5 is a left side elevational view thereof;

FIG. 6 is a top plan view thereof; and,

FIG. 7 is a bottom plan view thereof.

The broken lines shown in the drawings are for environmental purposes only and form no part of the claimed design.

1 Claim, 3 Drawing Sheets

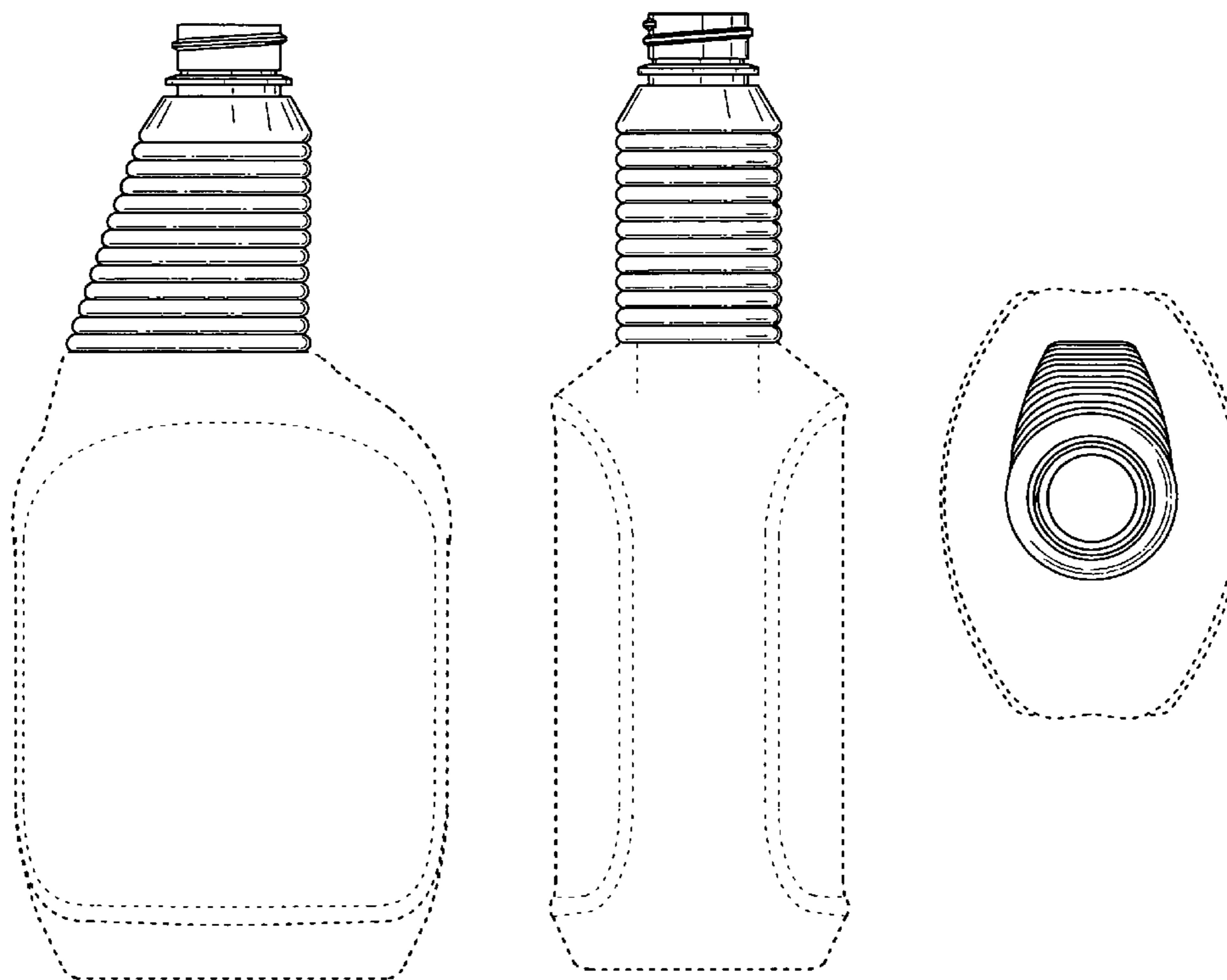
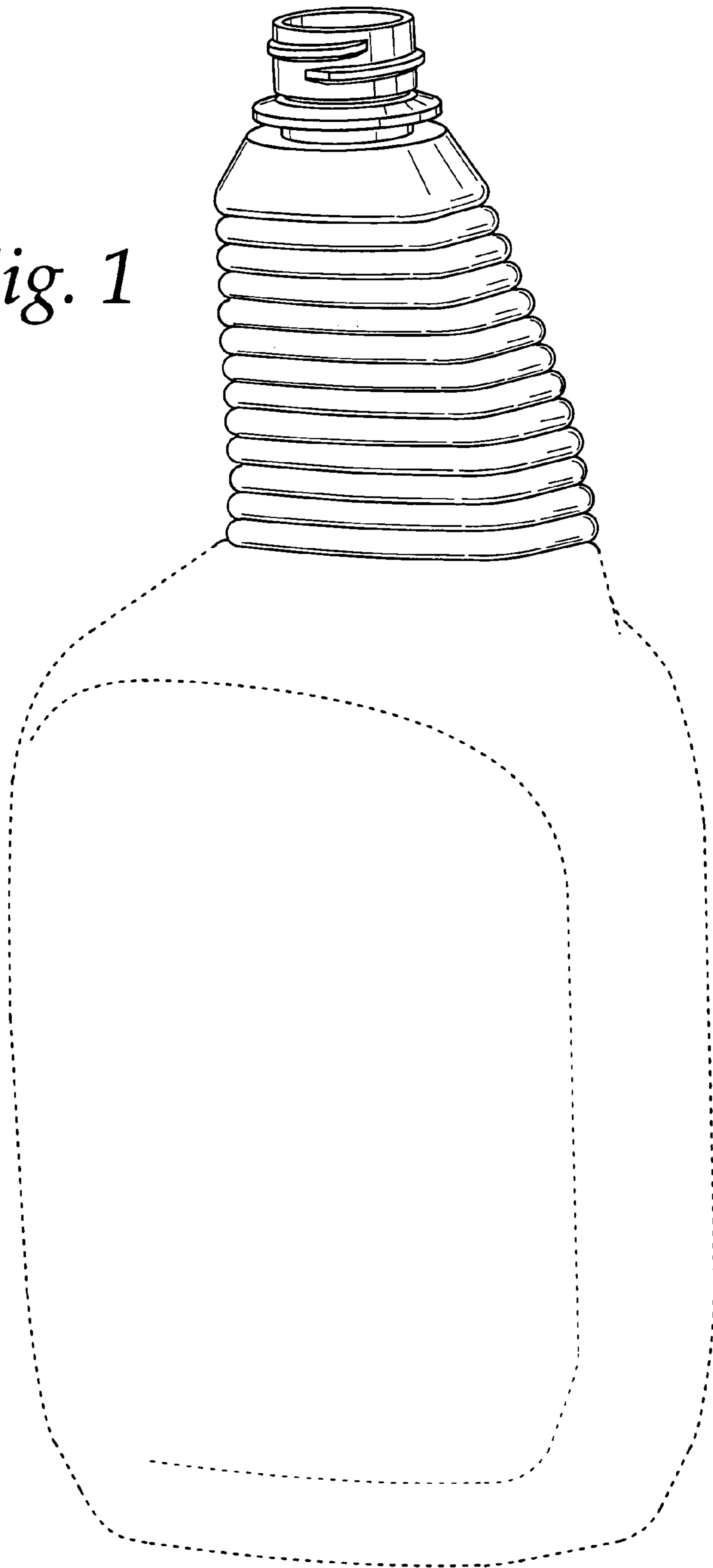


Fig. 1



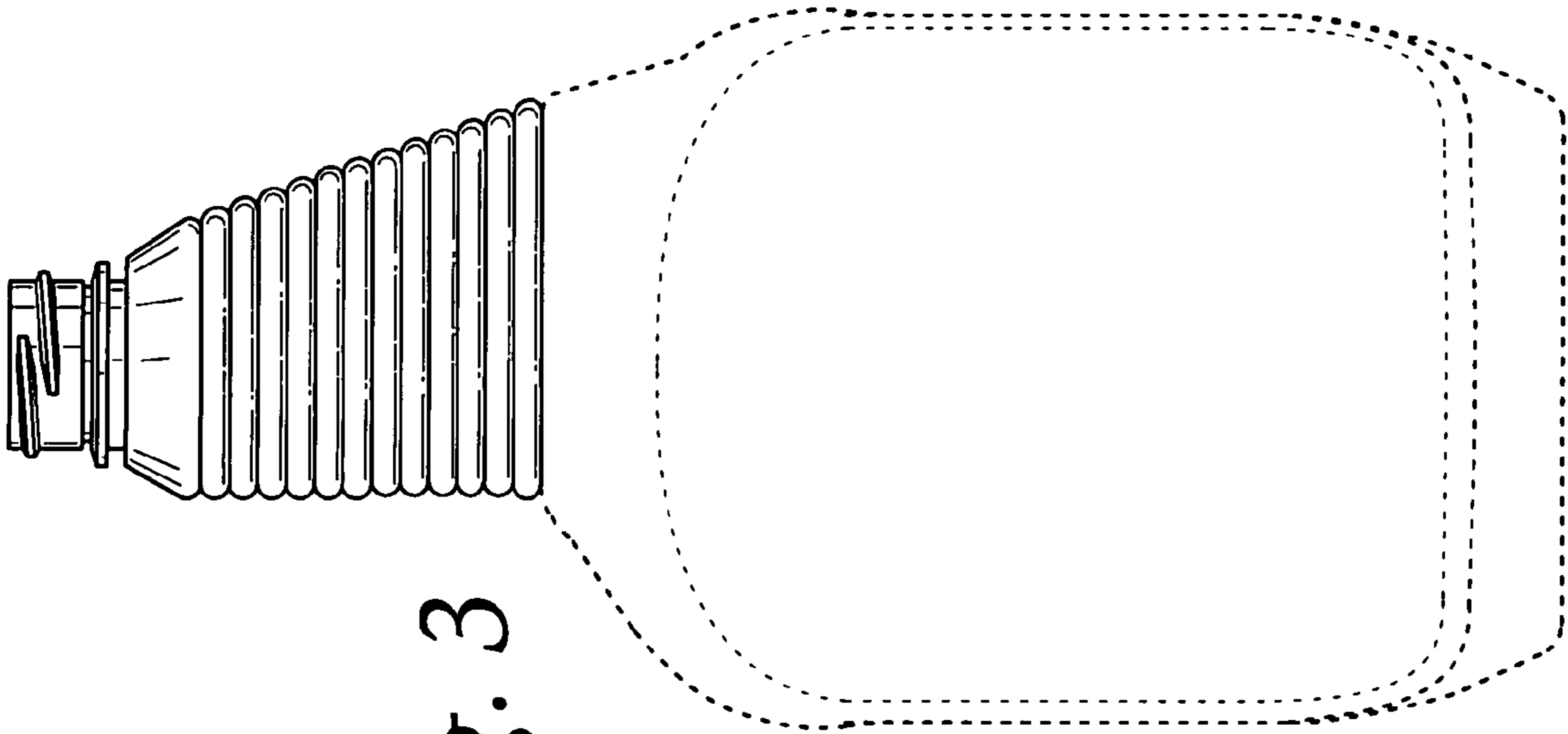


Fig. 3

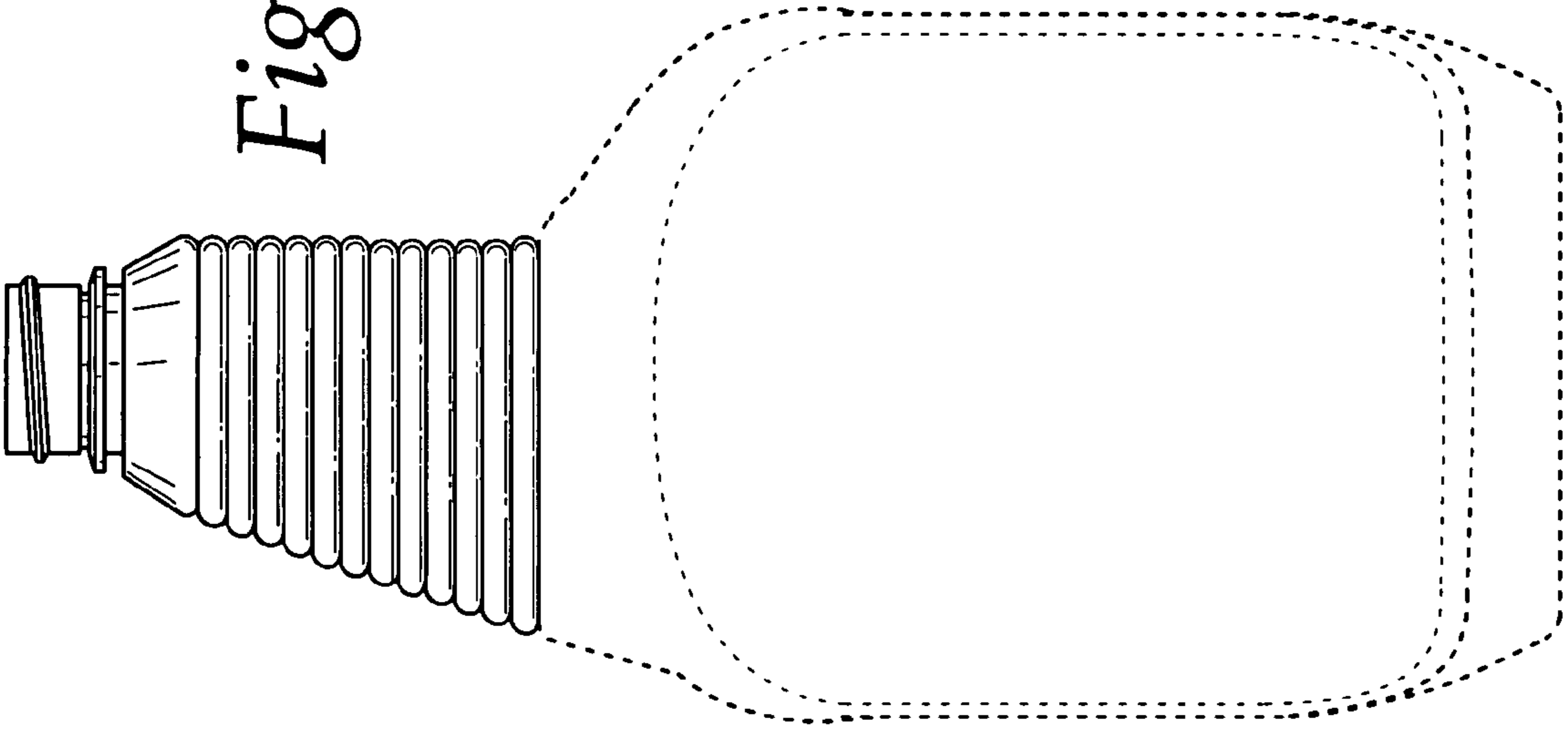


Fig. 2

Fig. 5

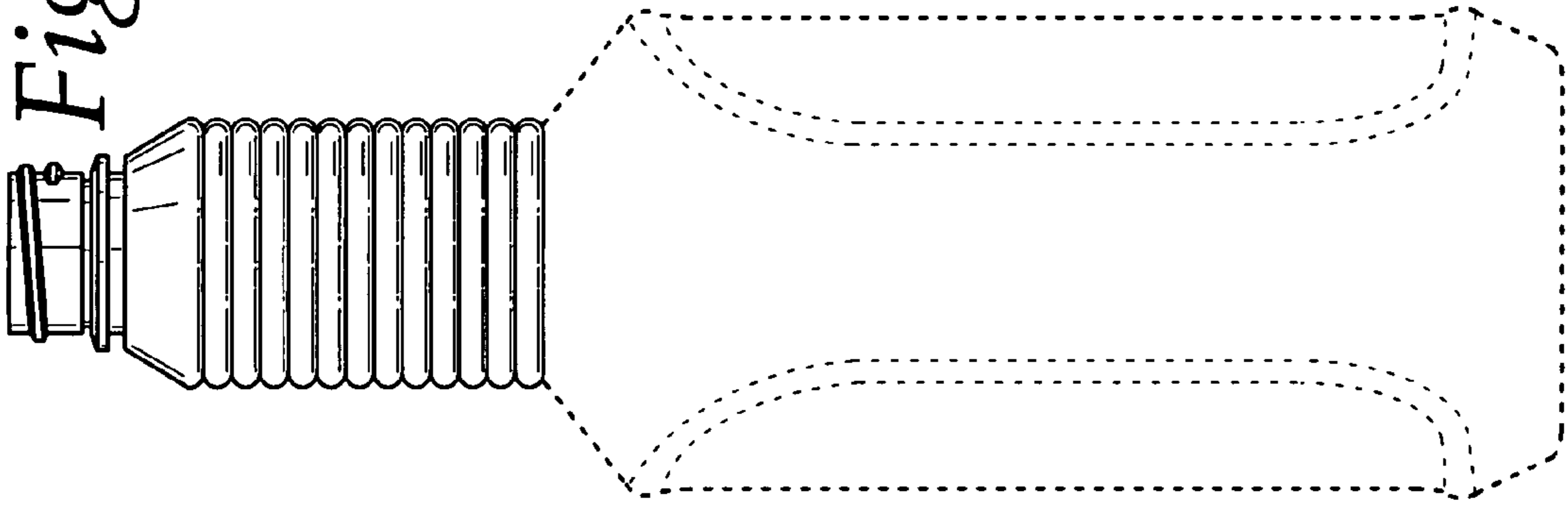


Fig. 4

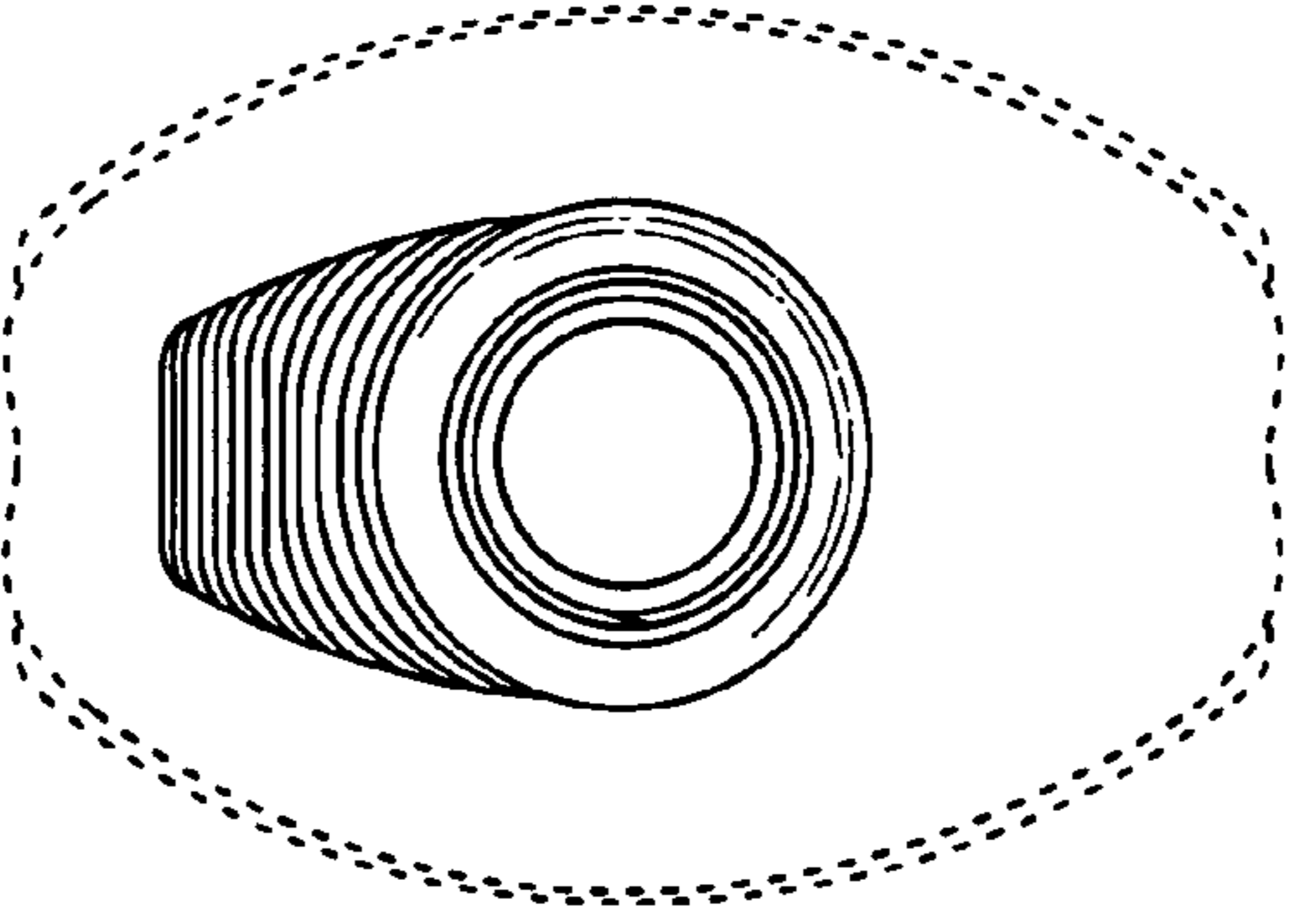
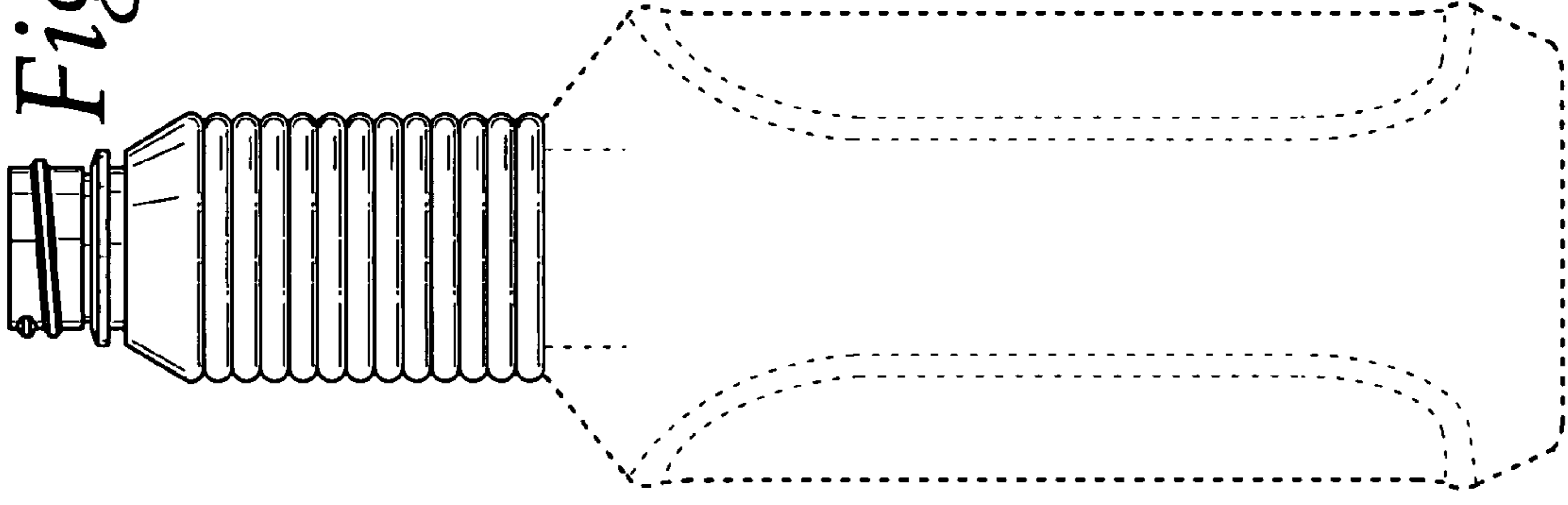


Fig. 6

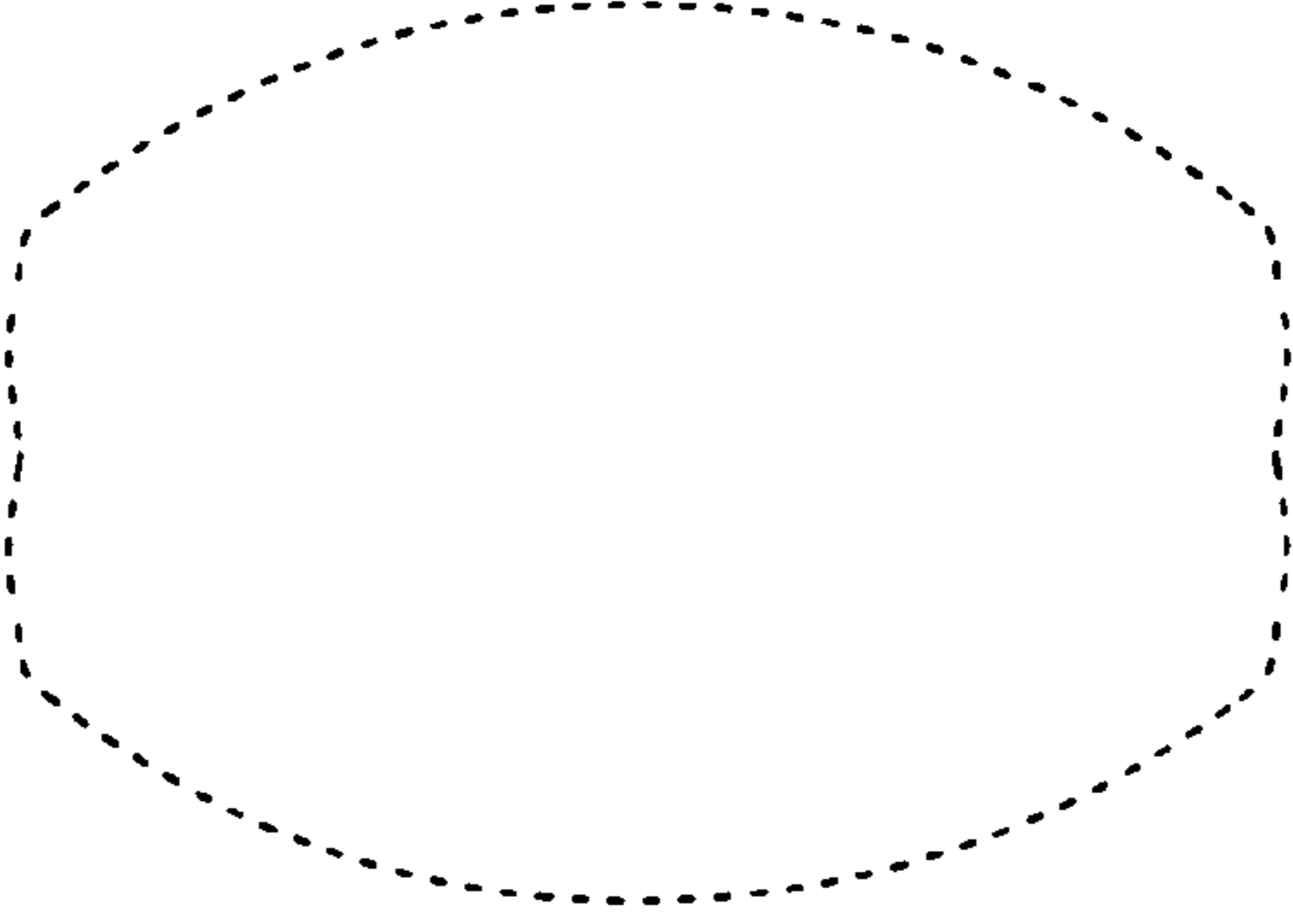


Fig. 7