



US00D551975S

(12) **United States Design Patent** (10) **Patent No.:** **US D551,975 S**  
**Gomoll et al.** (45) **Date of Patent:** **\*\* \*Oct. 2, 2007**

(54) **LID FOR A CONTAINER**  
(75) Inventors: **James N. Gomoll**, Lindenhurst, IL (US); **Timothy R. Haley**, Chicago, IL (US)  
(73) Assignee: **Pactiv Corporation**, Lake Forest, IL (US)  
(\* ) Notice: This patent is subject to a terminal disclaimer.  
(\*\* ) Term: **14 Years**  
(21) Appl. No.: **29/253,094**  
(22) Filed: **Feb. 1, 2006**  
(51) **LOC (8) Cl.** ..... **09-07**  
(52) **U.S. Cl.** ..... **D9/452; D9/435**  
(58) **Field of Classification Search** ..... D9/756, D9/755, 456, 435, 432, 431, 429, 428, 426, D9/425, 424, 418; D7/629, 601, 554.2, 551.1, D7/392.1, 391; D34/38; D3/323; 229/406; 220/556; 206/557, 518, 508  
See application file for complete search history.

D387,986 S 12/1997 Hayes et al.  
D388,703 S 1/1998 Hayes et al.  
D389,057 S 1/1998 Hayes et al.  
D392,884 S 3/1998 Hayes  
5,730,313 A 3/1998 Hayes et al.  
5,758,791 A 6/1998 Mangla  
5,772,070 A 6/1998 Hayes et al.  
5,860,530 A 1/1999 Simmons et al.  
D409,485 S \* 5/1999 Christy, Jr. .... D9/425  
D409,909 S 5/1999 Hayes  
5,979,687 A 11/1999 Hayes et al.  
5,984,130 A 11/1999 Hayes et al.  
6,021,903 A 2/2000 Hanson  
D432,858 S 10/2000 Hayes et al.  
D432,859 S 10/2000 Hayes et al.  
D433,334 S 11/2000 Hayes et al.  
6,149,053 A 11/2000 Chatterton et al.  
D442,860 S \* 5/2001 Symons et al. .... D9/428  
D444,382 S 7/2001 Hayes et al.  
D459,991 S \* 7/2002 Middelbrink .... D9/431  
D461,678 S 8/2002 Hayes  
D478,812 S \* 8/2003 Hobbs .... D9/428

\* cited by examiner

*Primary Examiner*—Robert M. Spear  
*Assistant Examiner*—Susan Bennett Hattan  
(74) *Attorney, Agent, or Firm*—Jenkins & Gilchrist

(56) **References Cited**

**U.S. PATENT DOCUMENTS**

3,104,776 A \* 9/1963 Bostrom ..... 220/671  
D280,296 S 8/1985 Holden  
4,533,585 A 8/1985 Holden  
D280,489 S 9/1985 Holden  
4,623,088 A 11/1986 Holden  
D288,295 S 2/1987 Holden  
4,813,570 A 3/1989 Pontoppidan  
4,859,822 A 8/1989 Ragusa et al.  
D323,114 S 1/1992 Sheehan  
D334,323 S \* 3/1993 Rohrbeck ..... D7/554.2  
D352,000 S 11/1994 Hanson  
D379,431 S 5/1997 Mangla  
D382,796 S 8/1997 Mangla  
D384,247 S 9/1997 Smith et al.  
D386,075 S 11/1997 Hayes et al.

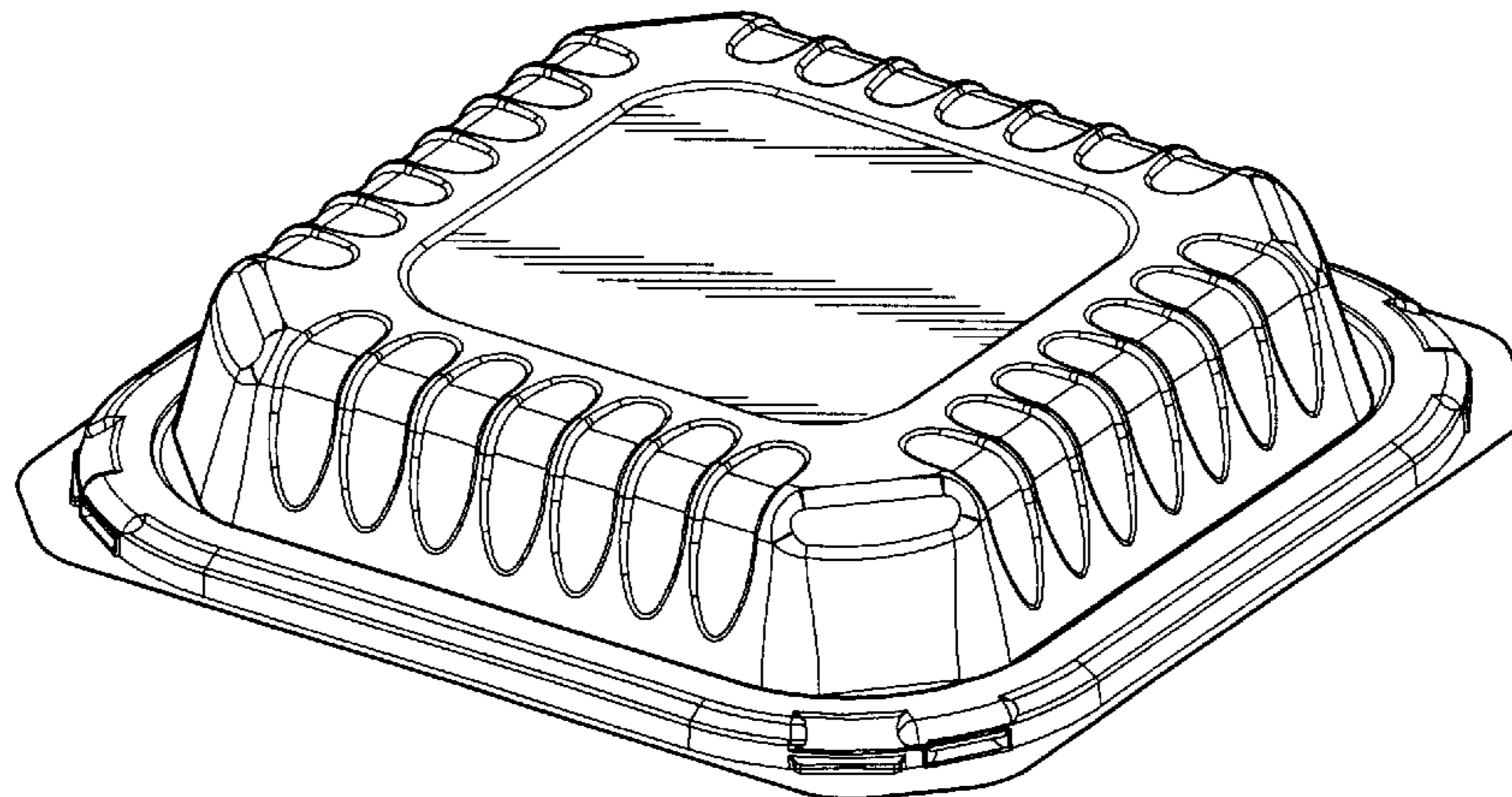
(57) **CLAIM**

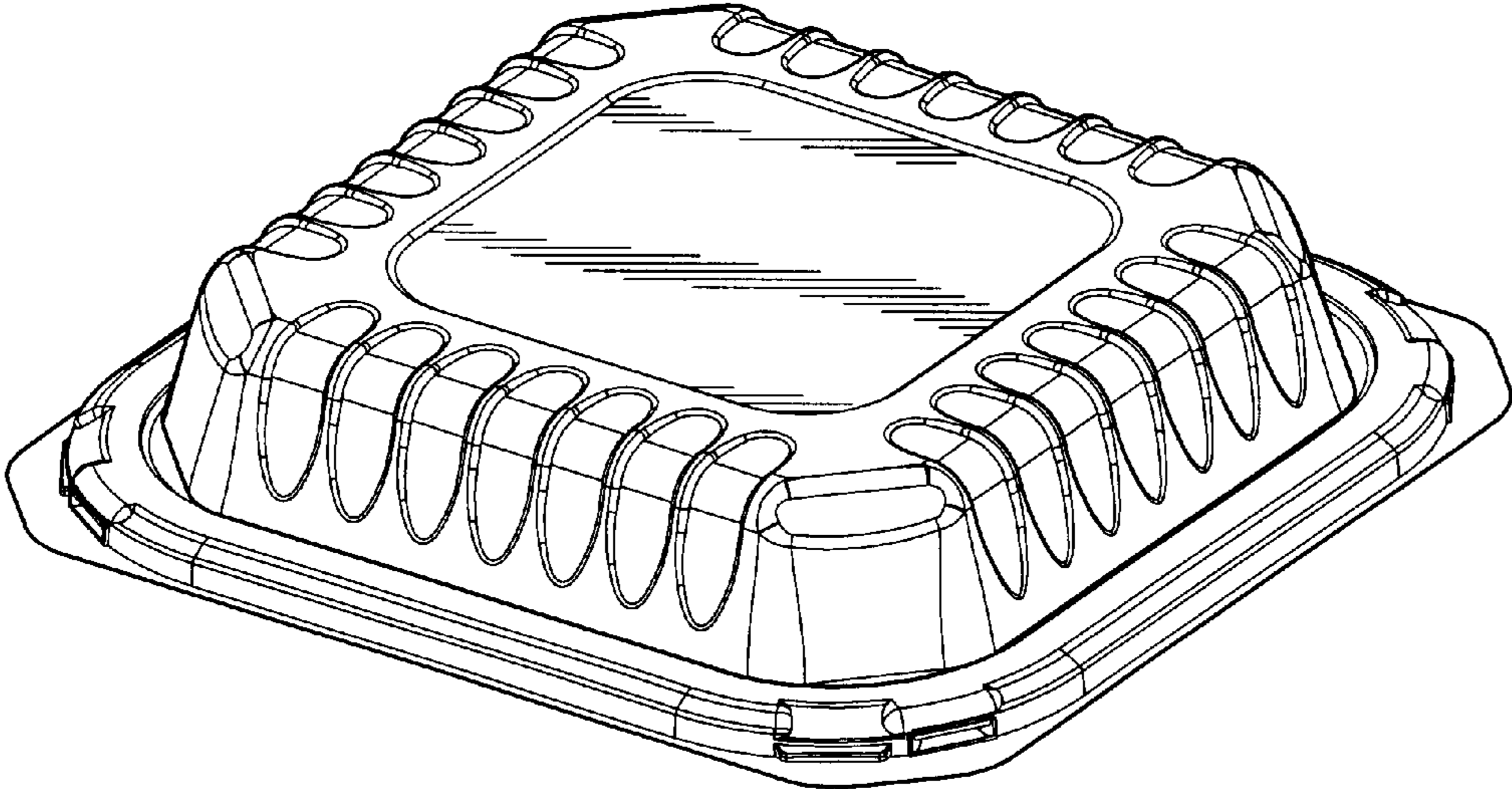
The ornamental design for lid for a container, as shown and described.

**DESCRIPTION**

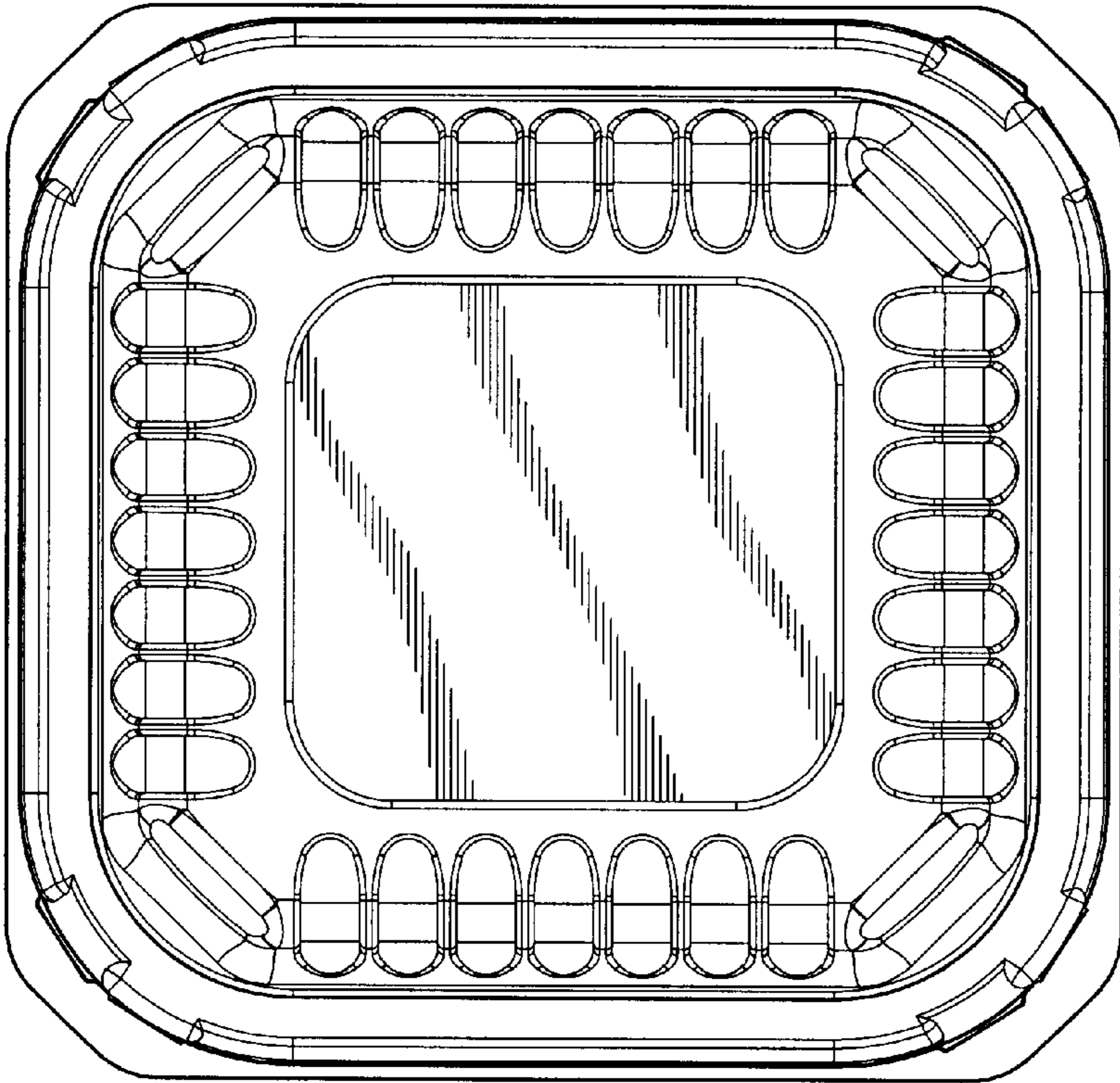
FIG. 1 is a perspective view of a lid for a container;  
FIG. 2 is a top plan view of the lid for a container of FIG. 1;  
FIG. 3 is a bottom plan view of the lid for a container of FIG. 1;  
FIG. 4 is a side elevational view of the container of FIG. 1, the opposite side being identical; and,  
FIG. 5 is an end elevational view of the container of FIG. 1, the opposite side being identical.

**1 Claim, 2 Drawing Sheets**

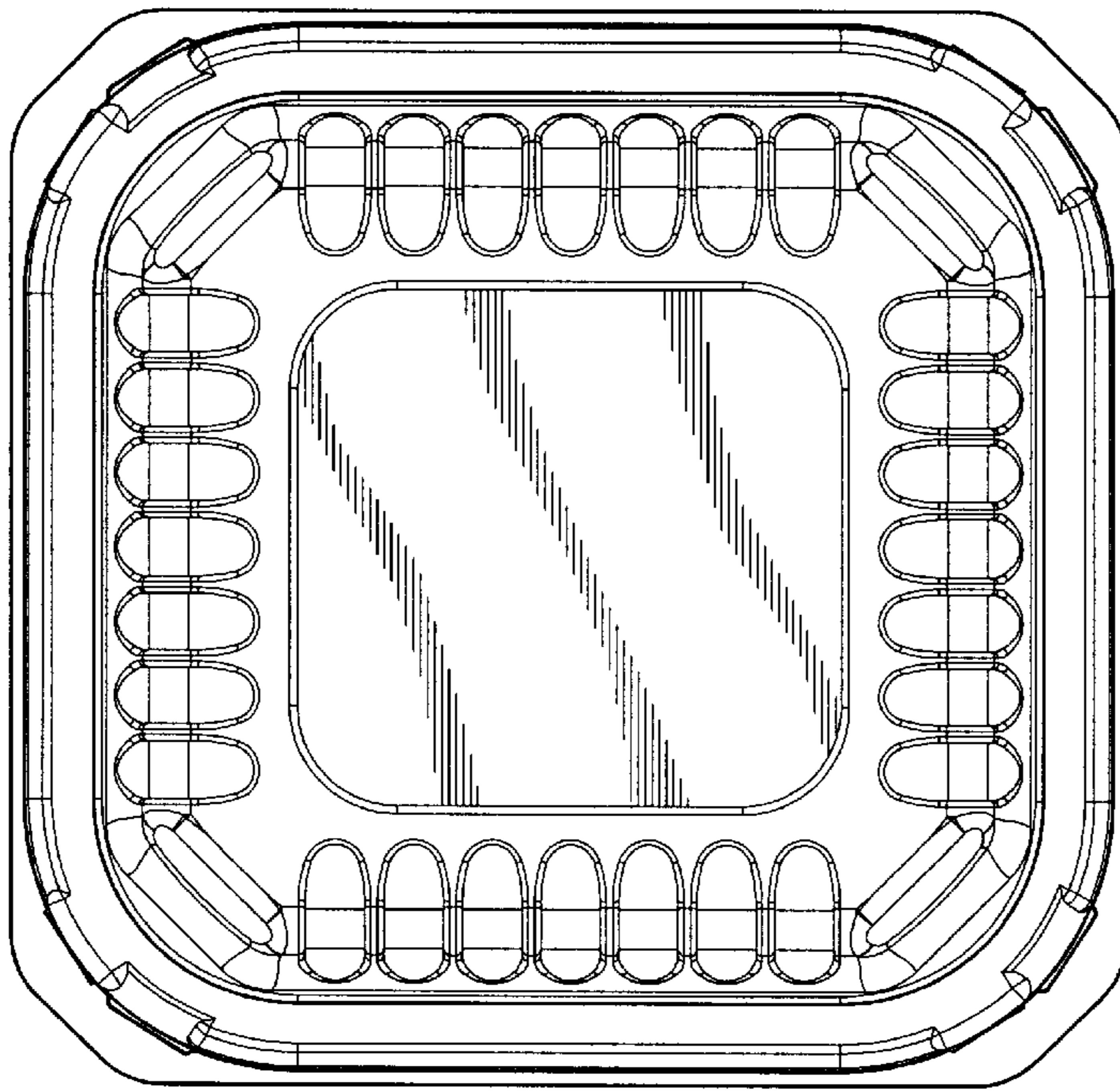




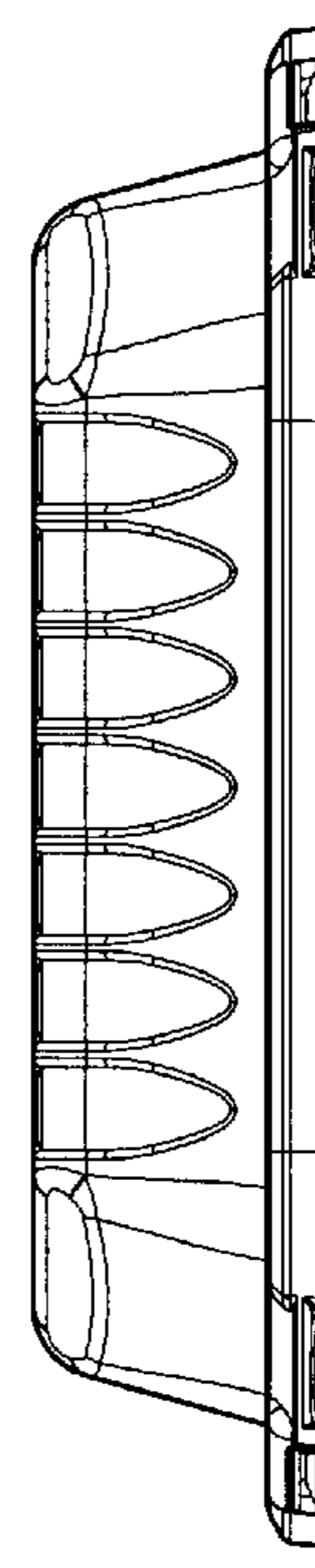
*Fig.1*



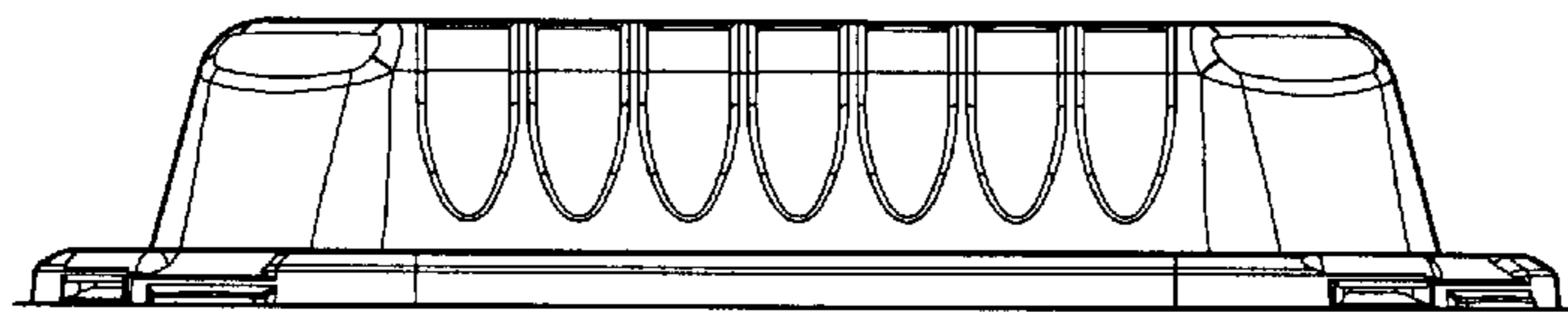
*Fig.2*



*Fig.3*



*Fig.4*



*Fig.5*