



US00D551973S

(12) **United States Design Patent**  
**Hildebrand**

(10) **Patent No.:** **US D551,973 S**  
(45) **Date of Patent:** **\*\* Oct. 2, 2007**

(54) **SPRAY NOZZLE**  
(75) Inventor: **George R. Hildebrand**, Independence,  
MO (US)  
(73) Assignee: **MeadWestvaco Corporation**, Glen  
Allen, VA (US)  
(\*\*) Term: **14 Years**  
(21) Appl. No.: **29/242,971**

D239,372 S 3/1976 Brooks et al.  
D240,036 S 5/1976 Tada  
D241,543 S 9/1976 Tada  
D242,351 S 11/1976 Tada  
D243,180 S 1/1977 Federico et al.  
D243,333 S 2/1977 Tada  
D247,366 S 2/1978 Jones et al.  
D251,381 S 3/1979 Reed  
D256,271 S 8/1980 Tada  
D256,946 S 9/1980 Campbell et al.  
D257,740 S 12/1980 Humphrey, II et al.

(22) Filed: **Nov. 17, 2005**

(51) **LOC (8) Cl.** ..... **09-07**  
(52) **U.S. Cl.** ..... **D9/448**  
(58) **Field of Classification Search** ..... D9/685,  
D9/448, 447, 435, 434; D23/226, 223, 213;  
239/459, 415, 414; D6/542  
See application file for complete search history.

(Continued)  
*Primary Examiner*—Robert M. Spear  
*Assistant Examiner*—Susan Bennett Hattan  
(74) *Attorney, Agent, or Firm*—Gordon & Jacobson, PC

(56) **References Cited**

U.S. PATENT DOCUMENTS

D122,045 S 8/1940 Potter  
D133,394 S 8/1942 Sundberg et al.  
D133,395 S 8/1942 Tammen  
D152,325 S 1/1949 Cissell ..... D6/2  
D159,162 S 6/1950 Pavey et al. .... D62/2  
D179,285 S 11/1956 Francis ..... D91/1  
D180,486 S 6/1957 Koeppel ..... D91/1  
D183,070 S 6/1958 Stillson ..... D62/2  
2,910,248 A 10/1959 Kueter et al.  
2,936,097 A 5/1960 Loria et al.  
2,991,945 A 7/1961 Rosenkranz  
3,056,557 A 10/1962 Walberg  
D199,098 S 9/1964 Tyler ..... D62/2  
D202,144 S 8/1965 Thompson ..... D62/2  
D207,636 S 5/1967 Clevenger et al.  
D209,873 S 1/1968 Smith ..... D62/2  
D210,701 S 4/1968 Coons  
D212,153 S 9/1968 Wagner ..... D23/17  
3,437,273 A 4/1969 Hagfors  
D223,491 S 4/1972 Smart et al. .... D23/17  
D226,712 S 4/1973 Tada et al. .... D23/17  
D228,657 S 10/1973 Anderson ..... D23/17  
D234,053 S 1/1975 Raffler et al. .... D23/17

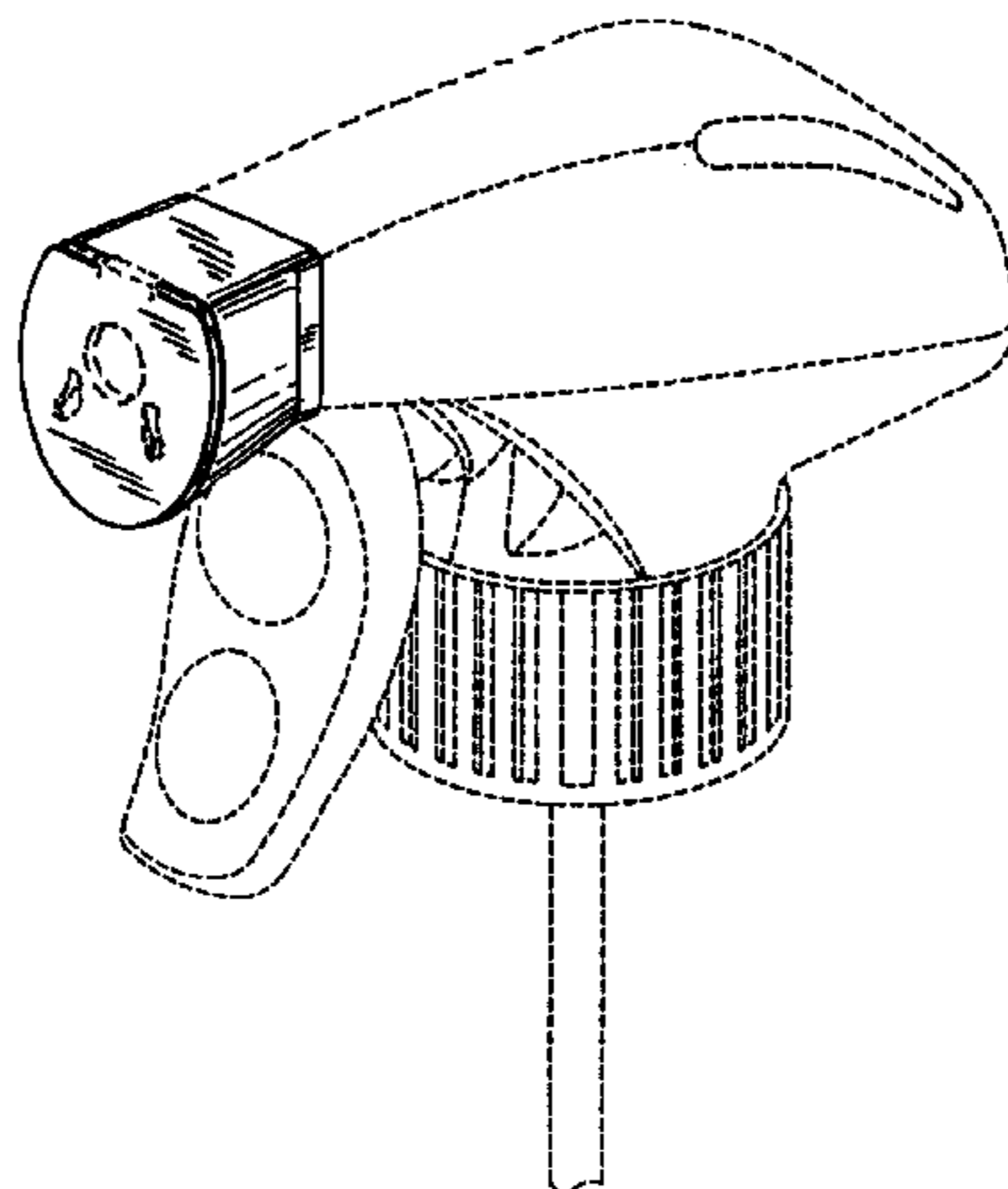
(57) **CLAIM**

The ornamental design for a spray nozzle, as shown and described.

**DESCRIPTION**

FIG. 1 is a perspective view of a first embodiment of a spray nozzle in accordance with the present invention;  
FIG. 2 is a top view of the spray nozzle of FIG. 1;  
FIG. 3 is a left side view of the spray nozzle of FIG. 1, the right side view being a mirror image thereof;  
FIG. 4 is a front view of the spray nozzle of FIG. 1;  
FIG. 5 is a bottom view of the spray nozzle of FIG. 1;  
FIG. 6 is a perspective view of a second embodiment of the spray nozzle in accordance with the present invention;  
FIG. 7 is a top view of the spray nozzle of FIG. 6;  
FIG. 8 is a left side view of the spray nozzle of FIG. 6, the right side view being a mirror image thereof;  
FIG. 9 is a front view of the spray nozzle of FIG. 6;  
FIG. 10 is a back view of the spray nozzle of FIG. 6; and,  
FIG. 11 is a bottom view of the spray nozzle of FIG. 6.  
In all figures, the claimed portions of the design are shaded.

**1 Claim, 5 Drawing Sheets**



# US D551,973 S

U.S. PATENT DOCUMENTS					
D260,236 S	8/1981	Anderson et al.	D406,060 S	2/1999	Dumont et al.
D268,204 S	3/1983	Wesner et al.	D406,762 S	3/1999	Durliat
D272,081 S	1/1984	Suhajda et al.	D407,975 S	* 4/1999	Lund et al. .... D9/434
D275,456 S	9/1984	Martin	D409,487 S	5/1999	Wadsworth et al.
D277,978 S	3/1985	Bundschuh	D409,915 S	5/1999	Durliat et al.
D282,392 S	1/1986	Hengesbach	D409,917 S	5/1999	Wadsworth et al.
D285,713 S	9/1986	Garneau	D409,918 S	5/1999	Wadsworth et al.
D291,113 S	7/1987	Bauer	D410,995 S	6/1999	Hsin-Fa
D291,415 S	8/1987	Abplanalp	D411,607 S	6/1999	Wang
D293,127 S	12/1987	Hengesbach	D412,736 S	8/1999	Chen
D293,707 S	1/1988	Tada	D415,252 S	10/1999	Kuo
D293,929 S	1/1988	Verhees	D415,253 S	10/1999	Kuo
D294,287 S	2/1988	Verhees	D417,151 S	11/1999	Spengler
D298,848 S	12/1988	Chow et al.	D418,755 S	1/2000	Durliat
D299,949 S	2/1989	Maas	D419,876 S	2/2000	Keung
D300,170 S	3/1989	Chow et al.	D420,427 S	2/2000	Yung
D307,843 S	5/1990	Parshall	D420,914 S	2/2000	Cummings
D310,706 S	9/1990	Heren et al.	D421,388 S	3/2000	Cummings
D312,299 S	11/1990	Kao	D421,718 S	3/2000	Durliat et al.
D314,421 S	2/1991	Tajima et al.	D422,216 S	4/2000	Brozell
D314,916 S	2/1991	Brooks	D422,823 S	* 4/2000	Daansen ..... D6/542
D315,014 S	2/1991	Clivio	D422,913 S	4/2000	Brozell
D318,712 S	7/1991	Buschor	D423,934 S	5/2000	Brozell
D320,643 S	10/1991	Stansbury	D424,939 S	5/2000	Fan et al.
D325,241 S	4/1992	Buschor	D428,471 S	7/2000	Gustafsson
D326,138 S	5/1992	Clivio	D432,629 S	10/2000	Jacobs
D326,707 S	6/1992	Silvenis et al.	D433,943 S	11/2000	Keung et al.
D327,222 S	6/1992	Fuchs	D434,830 S	12/2000	Liou
D328,635 S	8/1992	Matuschek	D435,448 S	12/2000	Trepina et al.
D330,069 S	10/1992	Feyen	D435,792 S	1/2001	Peloquin
D332,570 S	1/1993	Tiramani et al.	D437,225 S	2/2001	Keung
D332,652 S	1/1993	Foster et al.	D438,111 S	2/2001	Woods
D333,609 S	3/1993	Beaumont	D438,112 S	2/2001	Keung
D334,615 S	4/1993	Berfield et al.	D439,164 S	3/2001	Keung et al.
D337,811 S	7/1993	Valley et al.	D441,424 S	5/2001	Guo
D337,945 S	8/1993	Warner	D442,088 S	5/2001	Trepina et al.
D342,899 S	1/1994	Battegazzore	D446,721 S	8/2001	Kimble et al.
D343,577 S	1/1994	Proctor	D447,217 S	8/2001	Jacobs et al.
D346,547 S	5/1994	Steijns et al.	D447,415 S	9/2001	Spengler
D347,464 S	5/1994	Kingston et al. .... D23/223	D447,790 S	9/2001	Heren et al.
D351,646 S	10/1994	Foster et al.	D449,988 S	11/2001	Keung
D352,546 S	11/1994	Silvenis et al.	D450,241 S	* 11/2001	Erhardt et al. .... D9/434
D354,226 S	1/1995	Foster et al.	D451,582 S	12/2001	Kuo
D354,332 S	1/1995	Wang	D451,981 S	12/2001	Ericksen
D355,361 S	2/1995	Steijns et al.	D453,548 S	2/2002	Wang
D357,408 S	4/1995	Silvenis et al.	D454,778 S	3/2002	Siebert et al.
D358,198 S	5/1995	Wadsworth	D454,787 S	3/2002	Cummings
5,477,989 A *	12/1995	Maas et al. .... 222/153.1	D456,262 S	4/2002	Cummings
D366,692 S	1/1996	Wadsworth	D457,221 S	5/2002	Alkalay et al.
D369,206 S	4/1996	Wang ..... D23/223	D458,845 S	6/2002	Keung
D370,713 S	6/1996	Guo ..... D23/223	D459,440 S	6/2002	Chen
D372,517 S	8/1996	Farnsteiner ..... D23/223	D459,786 S	7/2002	Sweeton
D373,312 S	9/1996	Lin	D462,741 S	9/2002	Guo
D373,313 S	9/1996	Lin	D463,527 S	9/2002	Guo
D376,839 S	12/1996	Hung	D463,972 S	10/2002	Perrin et al.
D377,602 S	1/1997	Wadsworth	D466,187 S	11/2002	Kuo
D381,581 S	7/1997	Wadsworth	D466,584 S	12/2002	Hubmann et al.
D382,936 S	8/1997	Shfaram	D467,992 S	12/2002	Chen
D385,492 S	10/1997	Foster et al.	D468,803 S	1/2003	Nien
D386,684 S	11/1997	Marogil	D468,804 S	1/2003	Nien
D386,854 S	11/1997	Koptis	D468,805 S	1/2003	Czerwinski, Jr.
D387,128 S	12/1997	Wang	D469,850 S	2/2003	Nien
D387,129 S	12/1997	Shiao	D471,252 S	3/2003	Jeng
D394,007 S	5/1998	Foster et al.	D471,619 S	3/2003	Nien
D394,008 S	5/1998	Foster et al.	D471,812 S	3/2003	Tadas
D394,009 S	5/1998	Foster et al.	D474,256 S	5/2003	Hubmann et al.
D394,491 S	5/1998	Guo	D475,121 S	5/2003	Kuo
D396,523 S	7/1998	Adams	D475,122 S	5/2003	Kuo
D397,421 S	8/1998	Adams	D475,294 S	6/2003	Foster et al.
D398,371 S	9/1998	Sundahl	D479,305 S	9/2003	Zittel et al.
D400,102 S	10/1998	Tada	D480,124 S	9/2003	Hubmann et al.
			D482,430 S	11/2003	Jou
			D484,947 S	1/2004	Chen

# US D551,973 S

Page 3

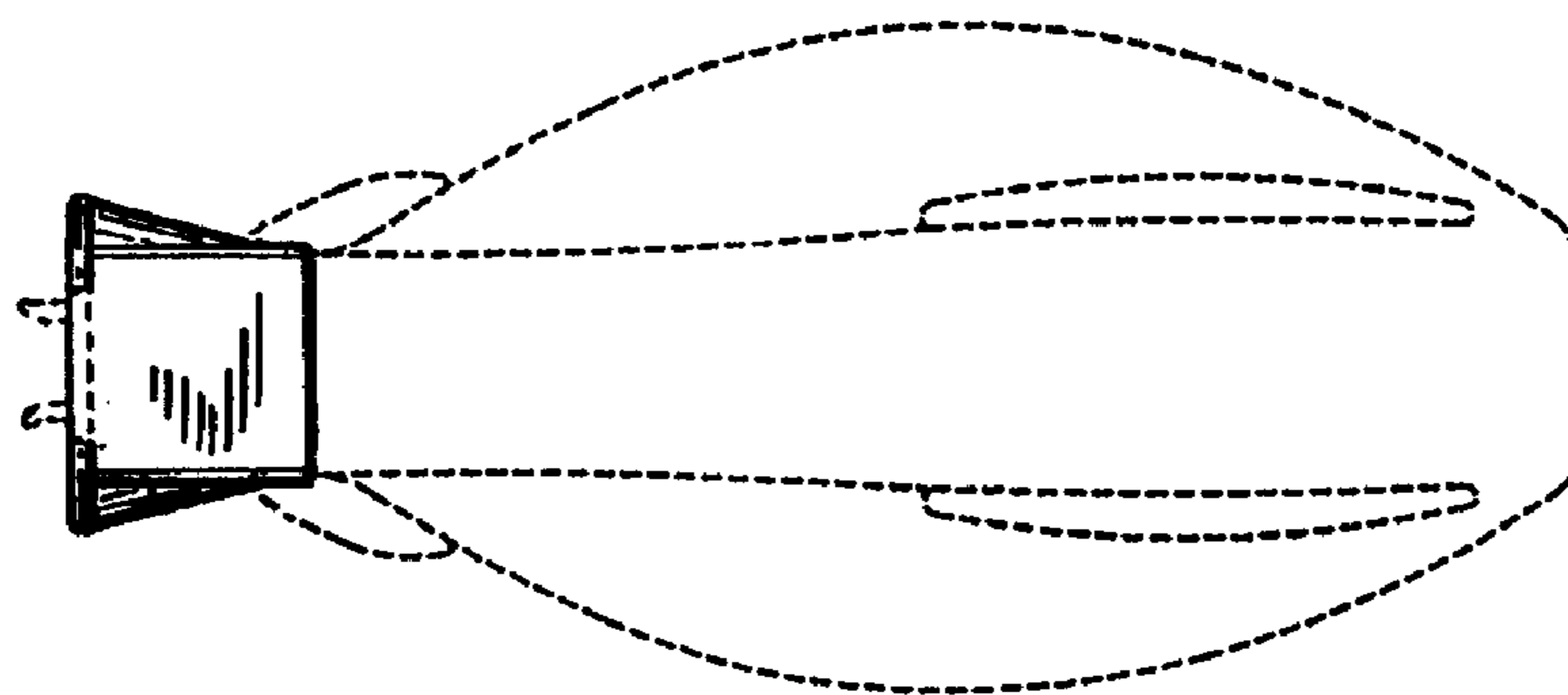
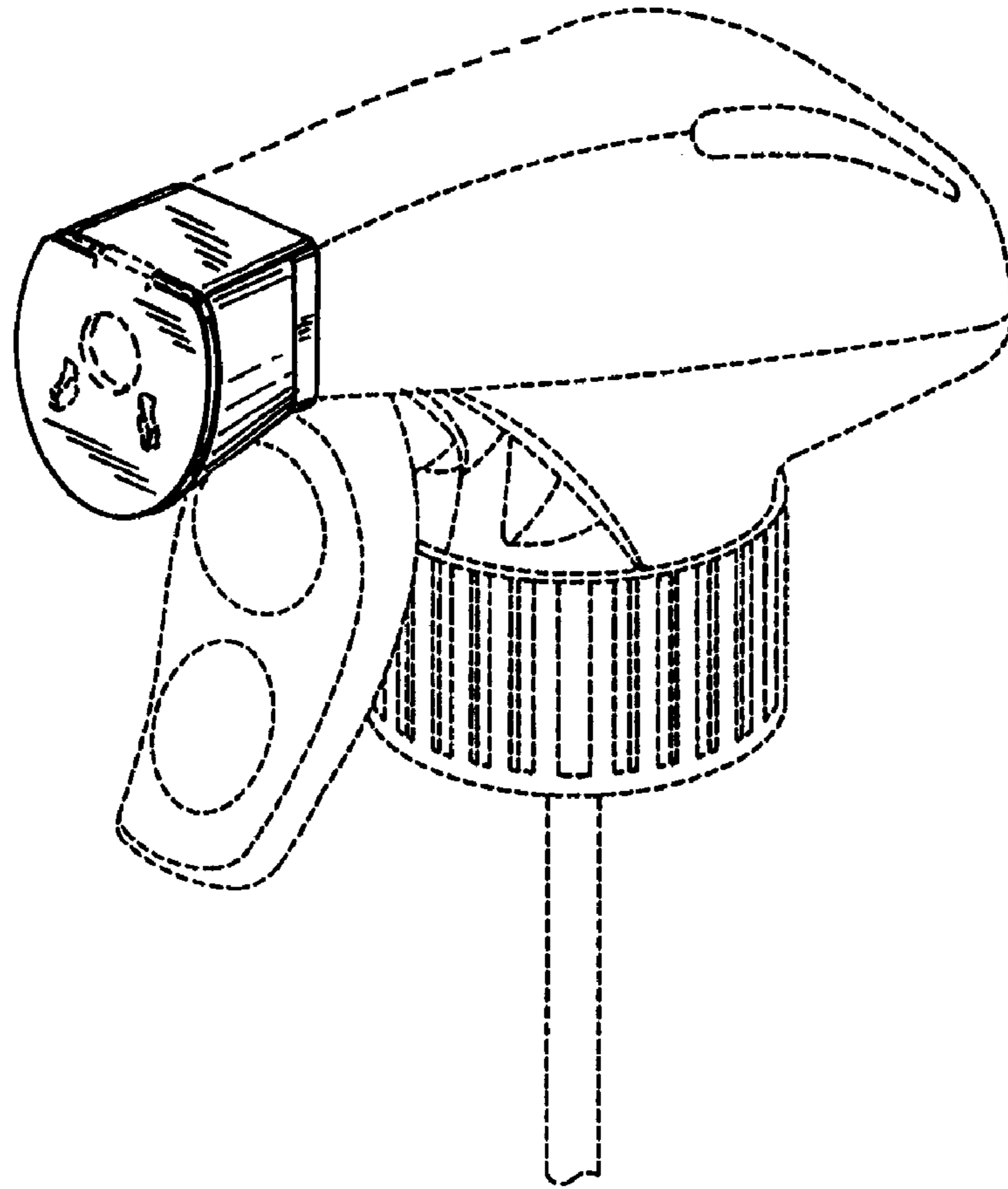
---

D486,554 S	2/2004	Nien		D495,779 S	9/2004	Turnbull et al.
D487,223 S *	3/2004	Arai et al. ....	D9/685	D497,661 S	10/2004	Chen
D487,797 S	3/2004	Chen		D499,024 S	11/2004	Sweeton
D488,535 S	4/2004	Foster et al.		D499,167 S	11/2004	Sweeton
D488,536 S	4/2004	Yean		D504,493 S	4/2005	Huang
D489,792 S	5/2004	Chen		D505,481 S	5/2005	Harper et al.
D492,598 S	7/2004	Foster et al.		D513,384 S	1/2006	Perry
D494,866 S	8/2004	Guala				
D495,398 S	8/2004	Yeager				
D495,399 S	8/2004	Guala				

\* cited by examiner



**FIG. 1**



**FIG. 2**

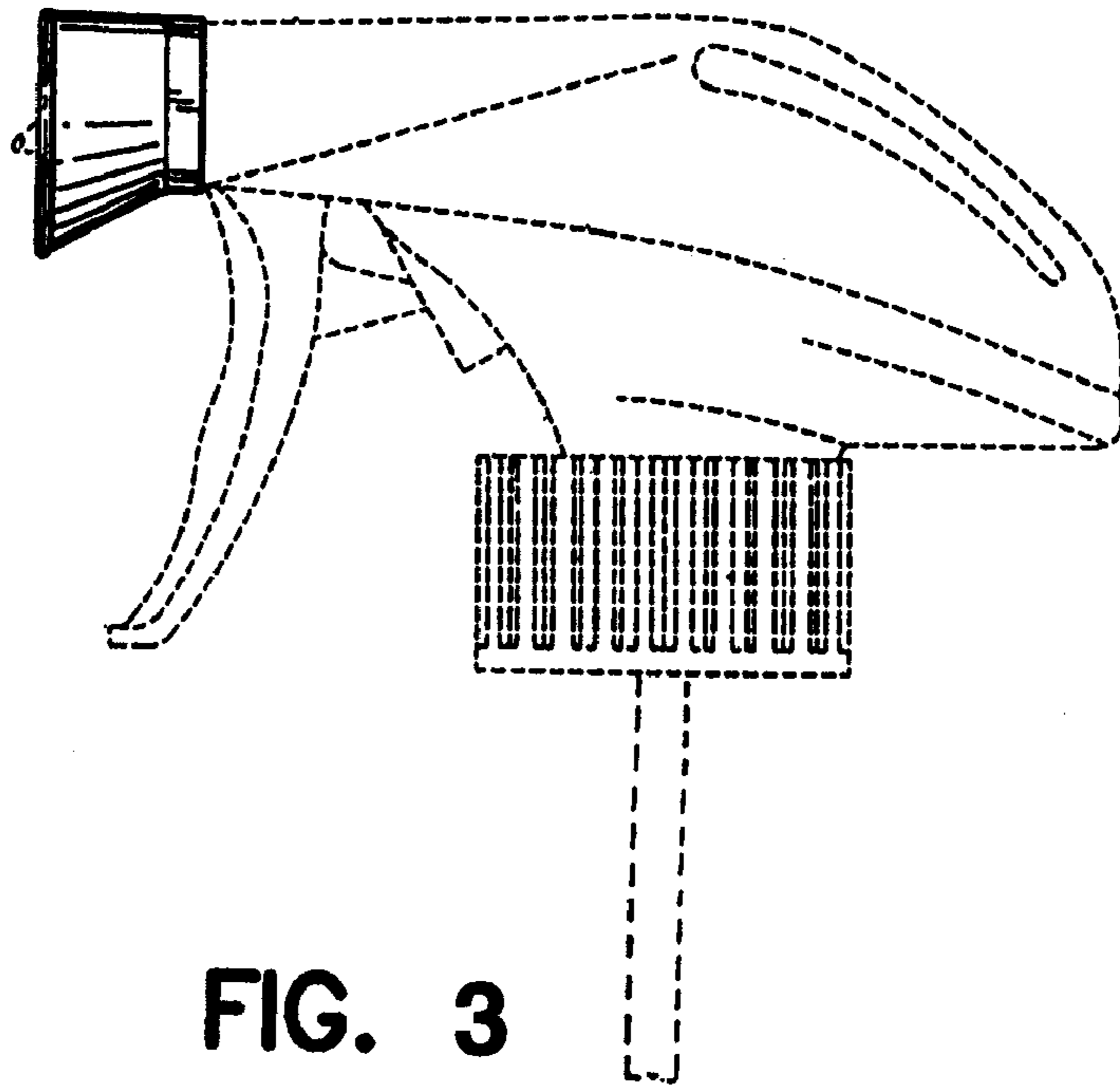


FIG. 3

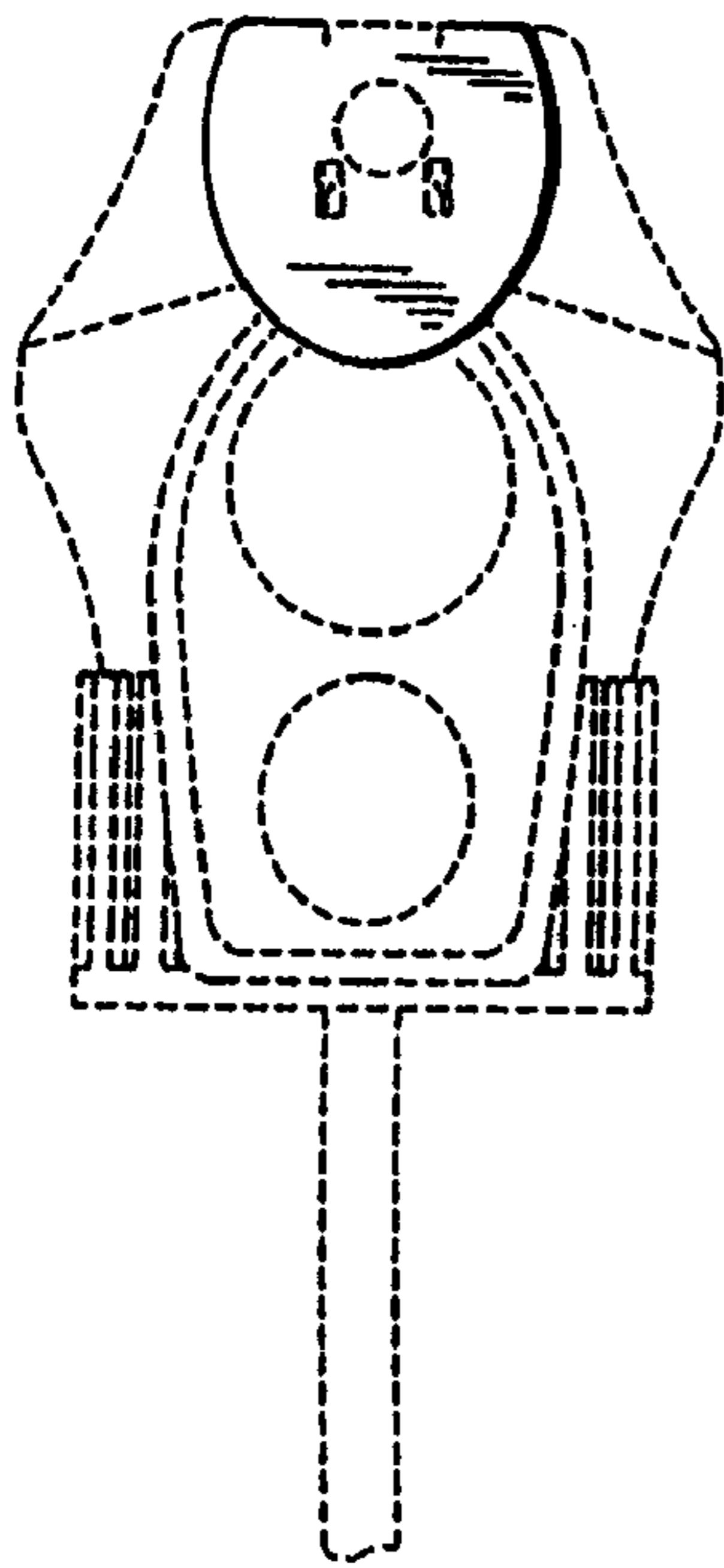


FIG. 4

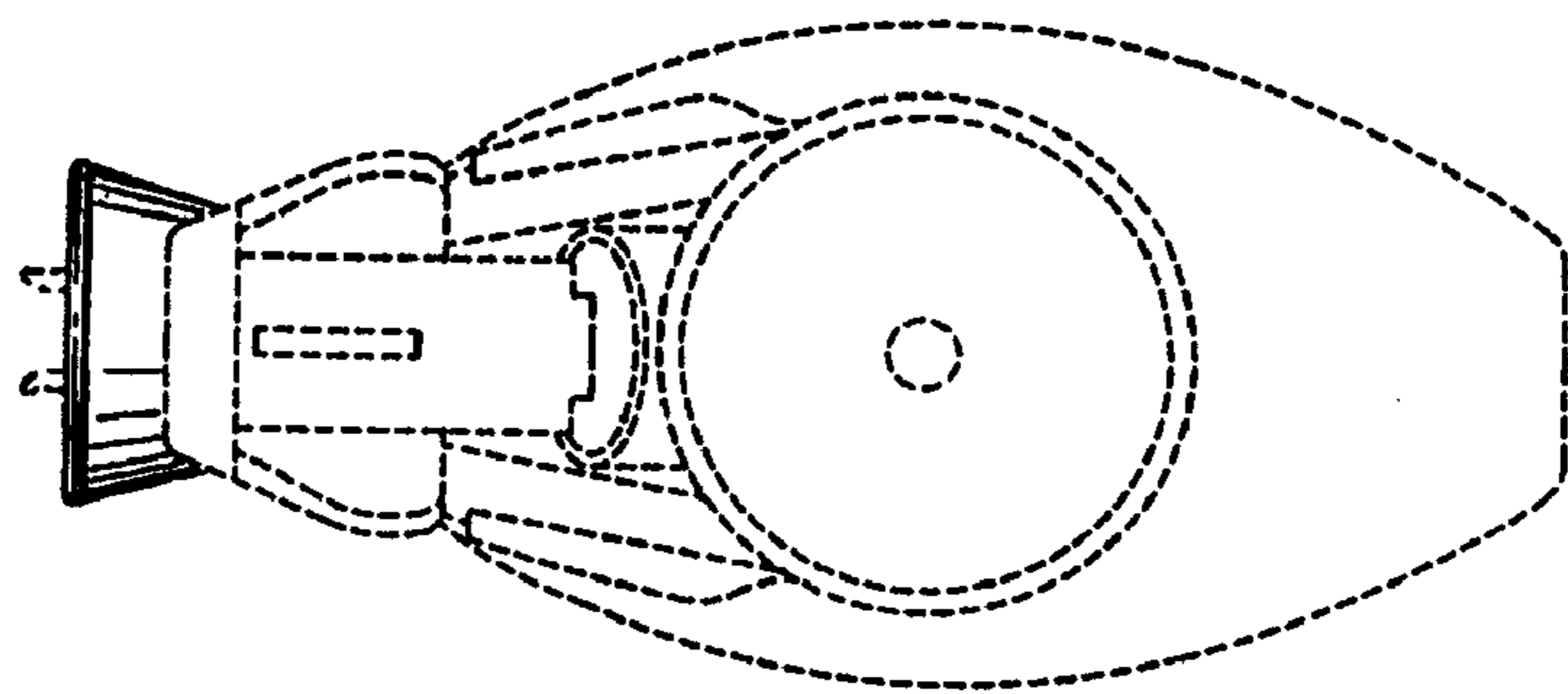
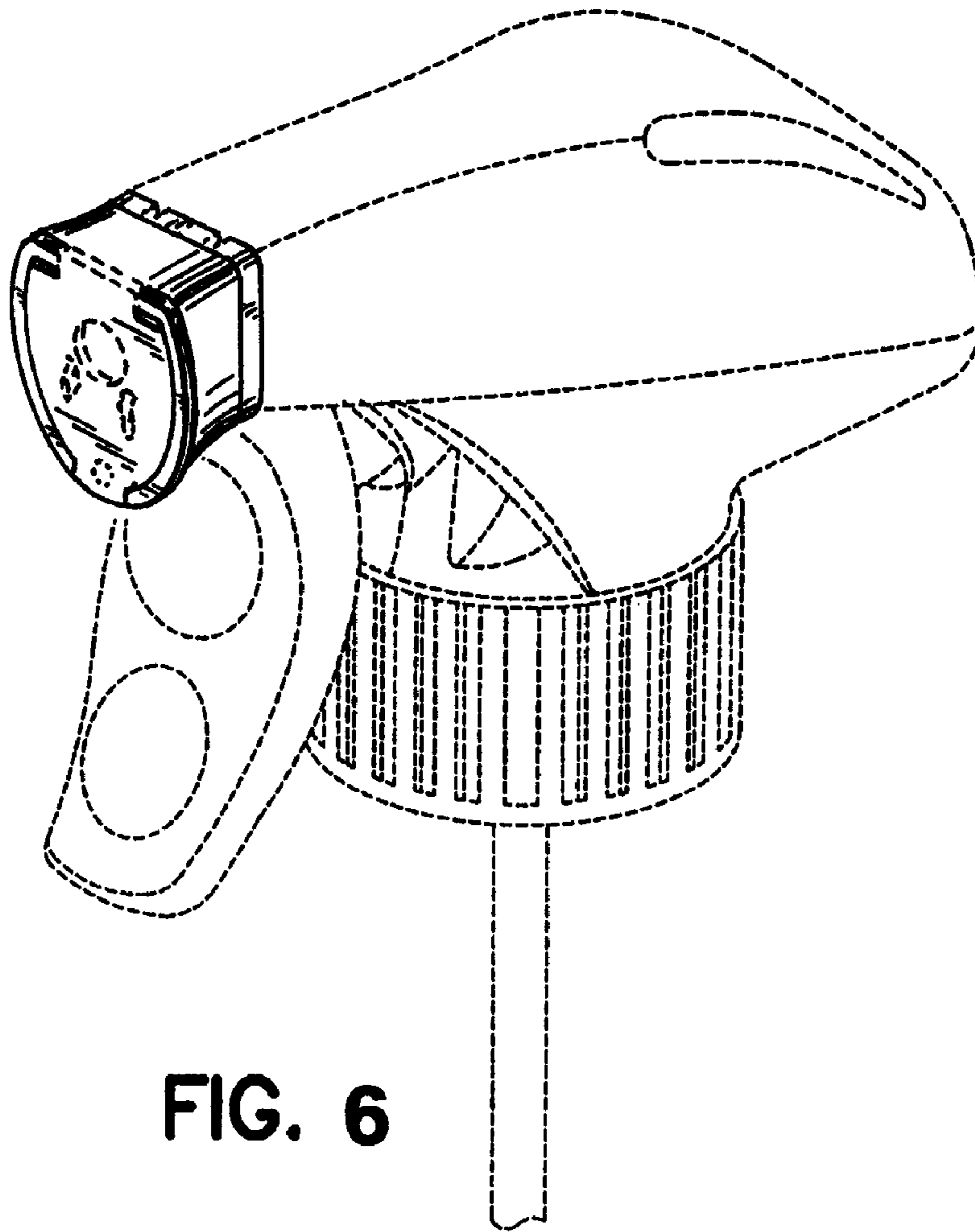
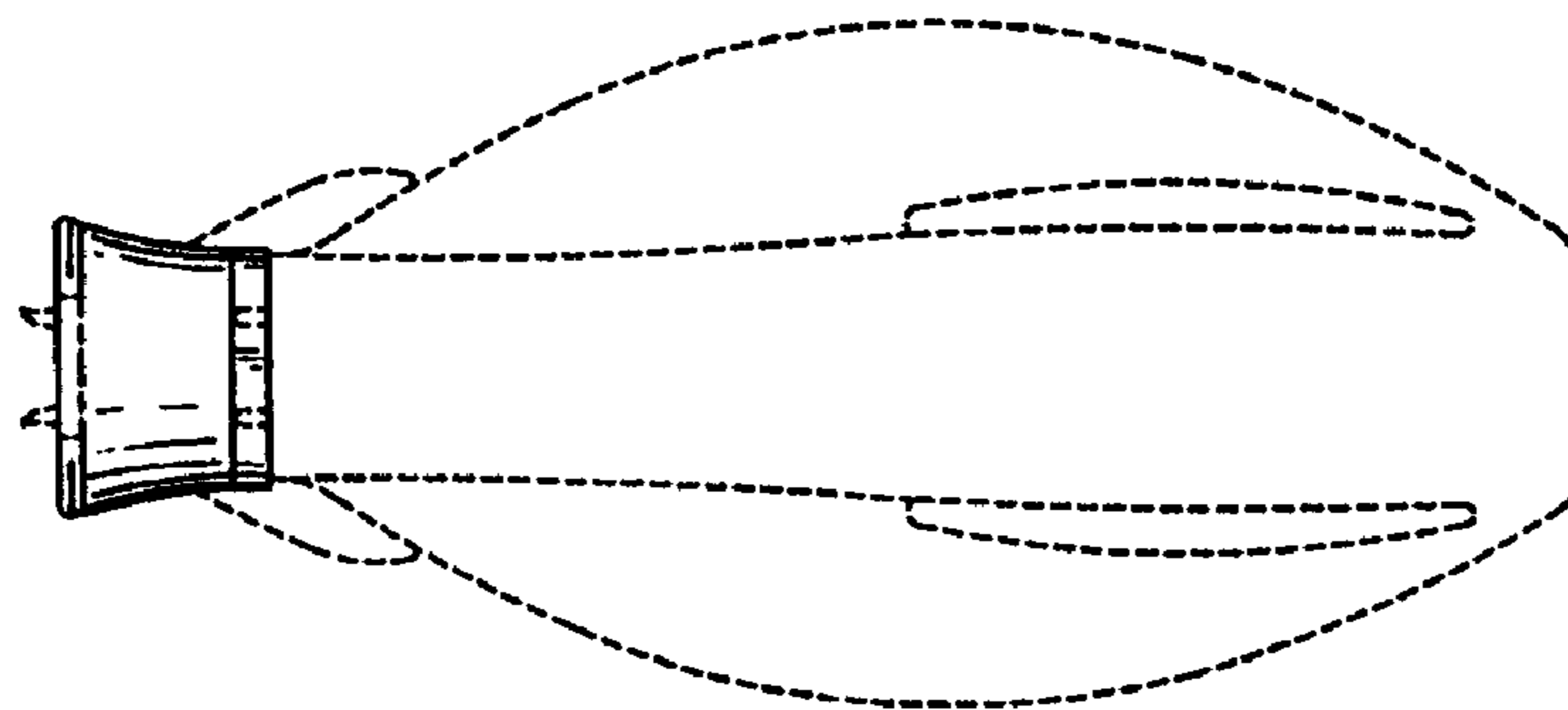


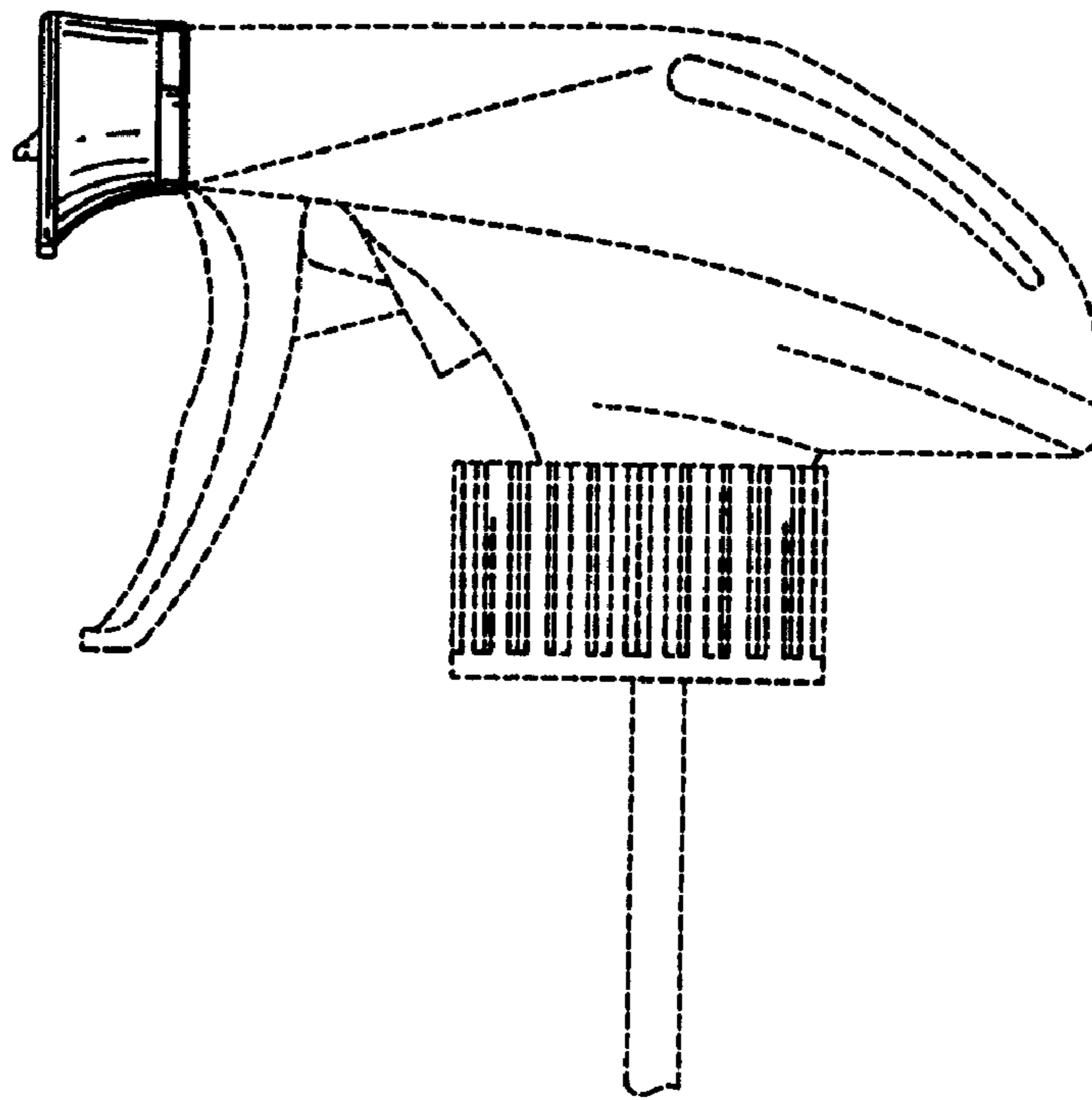
FIG. 5



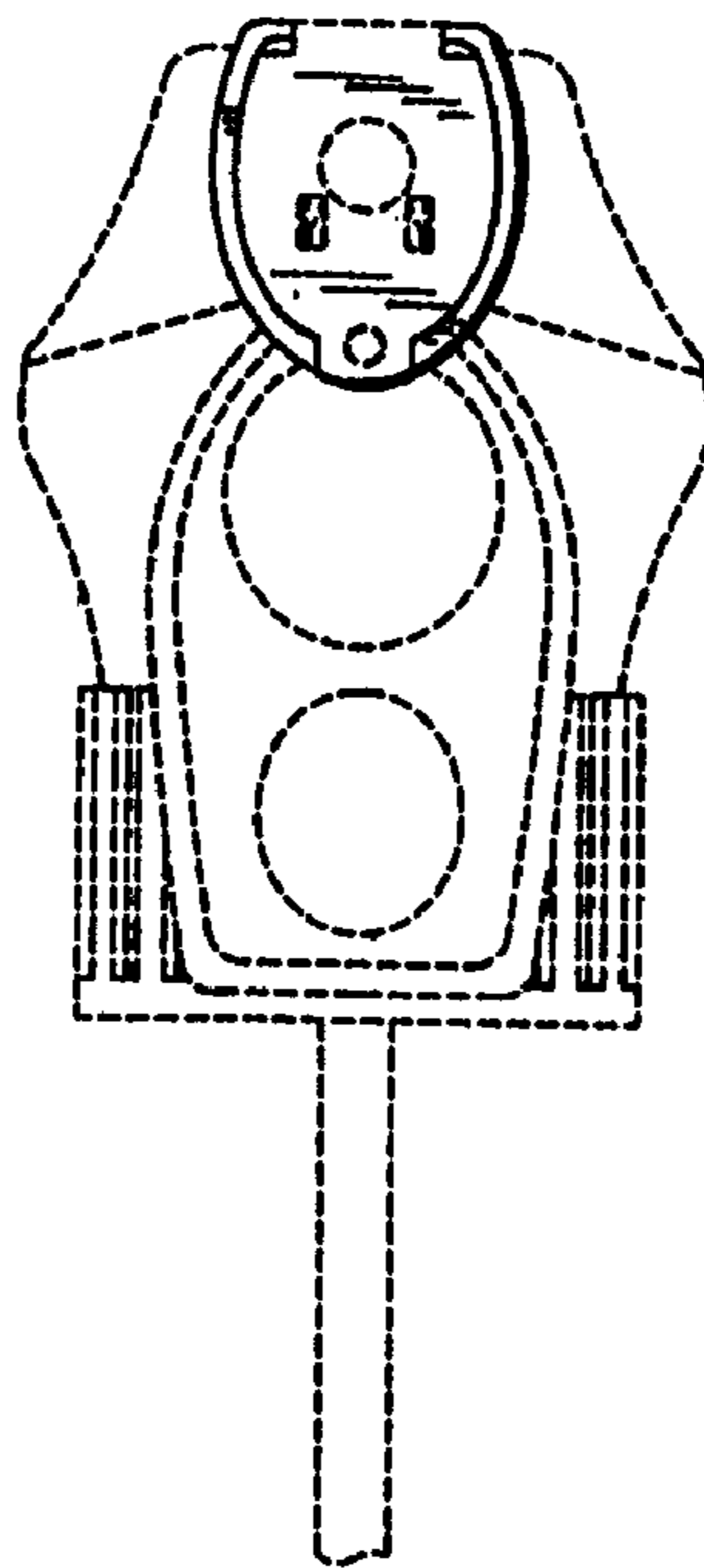
**FIG. 6**



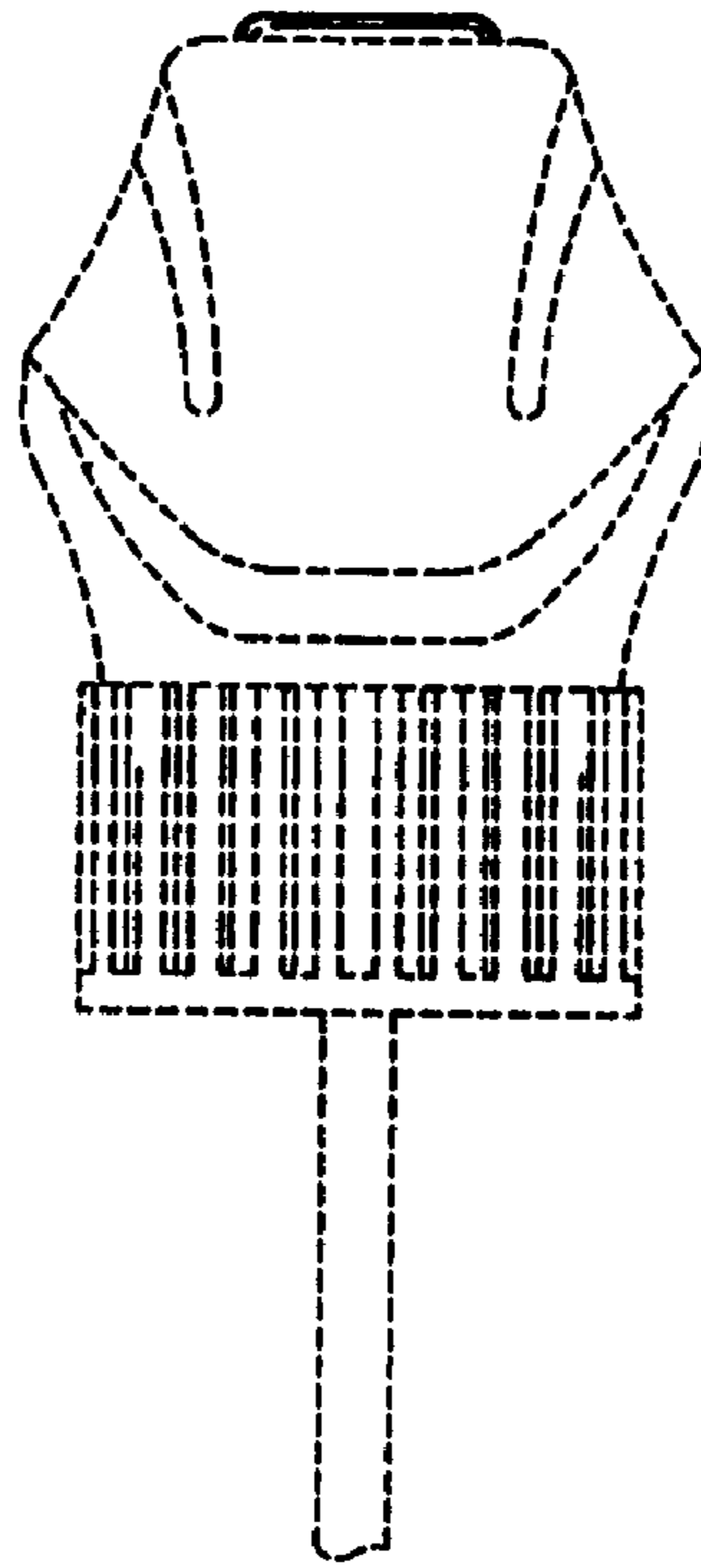
**FIG. 7**



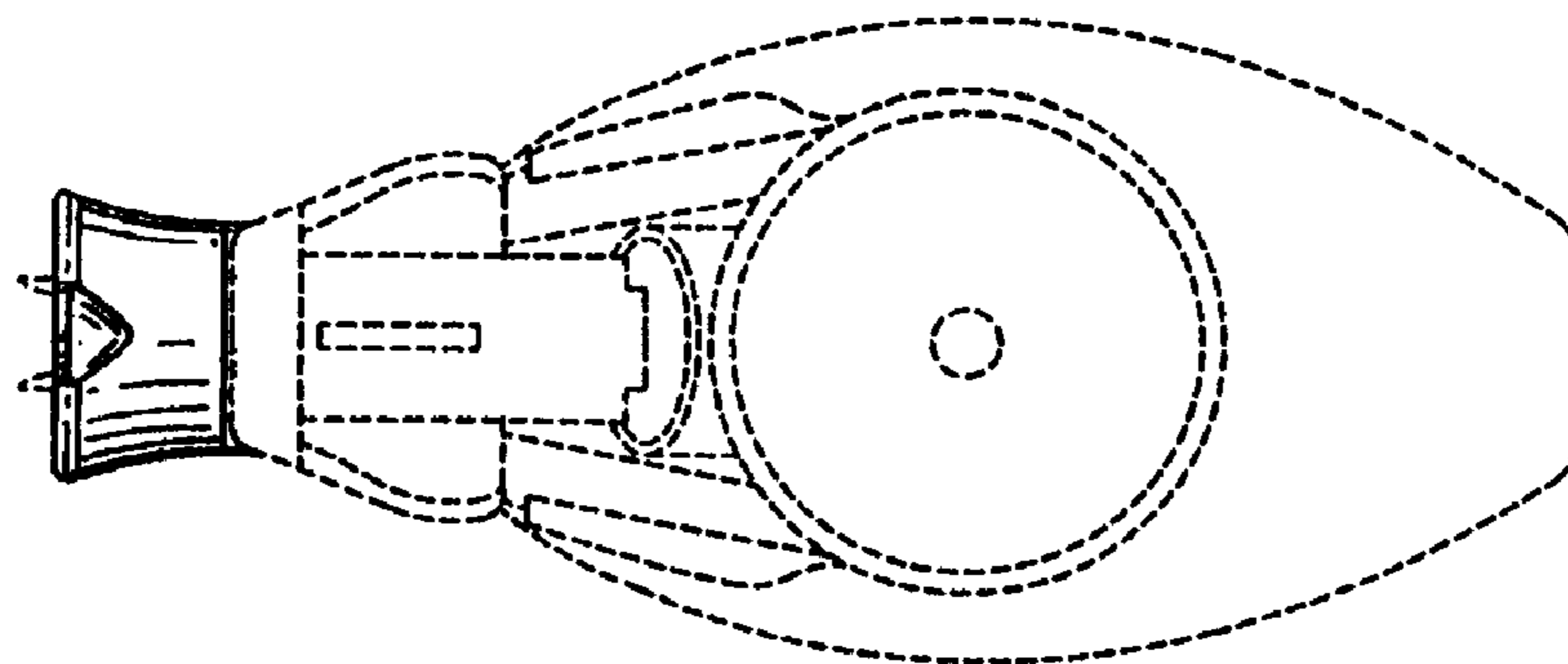
**FIG. 8**



**FIG. 9**



**FIG. 10**



**FIG. 11**