



US00D551972S

(12) **United States Design Patent**
Jacobs et al.

(10) **Patent No.:** **US D551,972 S**

(45) **Date of Patent:** **** Oct. 2, 2007**

(54) **AEROSOL CONTAINER CAP**

D459,207 S * 6/2002 Miyata D8/397
D484,785 S * 1/2004 Plumer D8/397
D492,901 S * 7/2004 Woods D9/435

(76) Inventors: **Mike Jacobs**, 4907 Promontory,
Johnsburg, IL (US) 60050; **Faye Haber**,
11005 Lucas Rd., Woodstock, IL (US)
60098

* cited by examiner

Primary Examiner—Robert M. Spear

Assistant Examiner—Susan Bennett Hattan

(74) *Attorney, Agent, or Firm*—Jon Carl Gealow

(**) Term: **14 Years**

(21) Appl. No.: **29/233,534**

(57) **CLAIM**

(22) Filed: **Jul. 5, 2005**

The ornamental design for a aerosol container cap, as shown and described.

(51) **LOC (8) Cl.** **09-07**

(52) **U.S. Cl.** **D9/445; D9/452**

(58) **Field of Classification Search** D9/690,
D9/688, 686, 569, 529, 503, 454, 453, 452,
D9/447, 436, 435, 429; 215/331, 330, 329,
215/317, 316, 272; D12/197; D7/629; D8/399,
D8/397, 387

See application file for complete search history.

DESCRIPTION

FIG. 1 is a perspective view of an aerosol container cap, showing our new design;

FIG. 2 is a front elevation view thereof;

FIG. 3 is a right side elevation view thereof; and,

FIG. 4 is a top elevation view thereof.

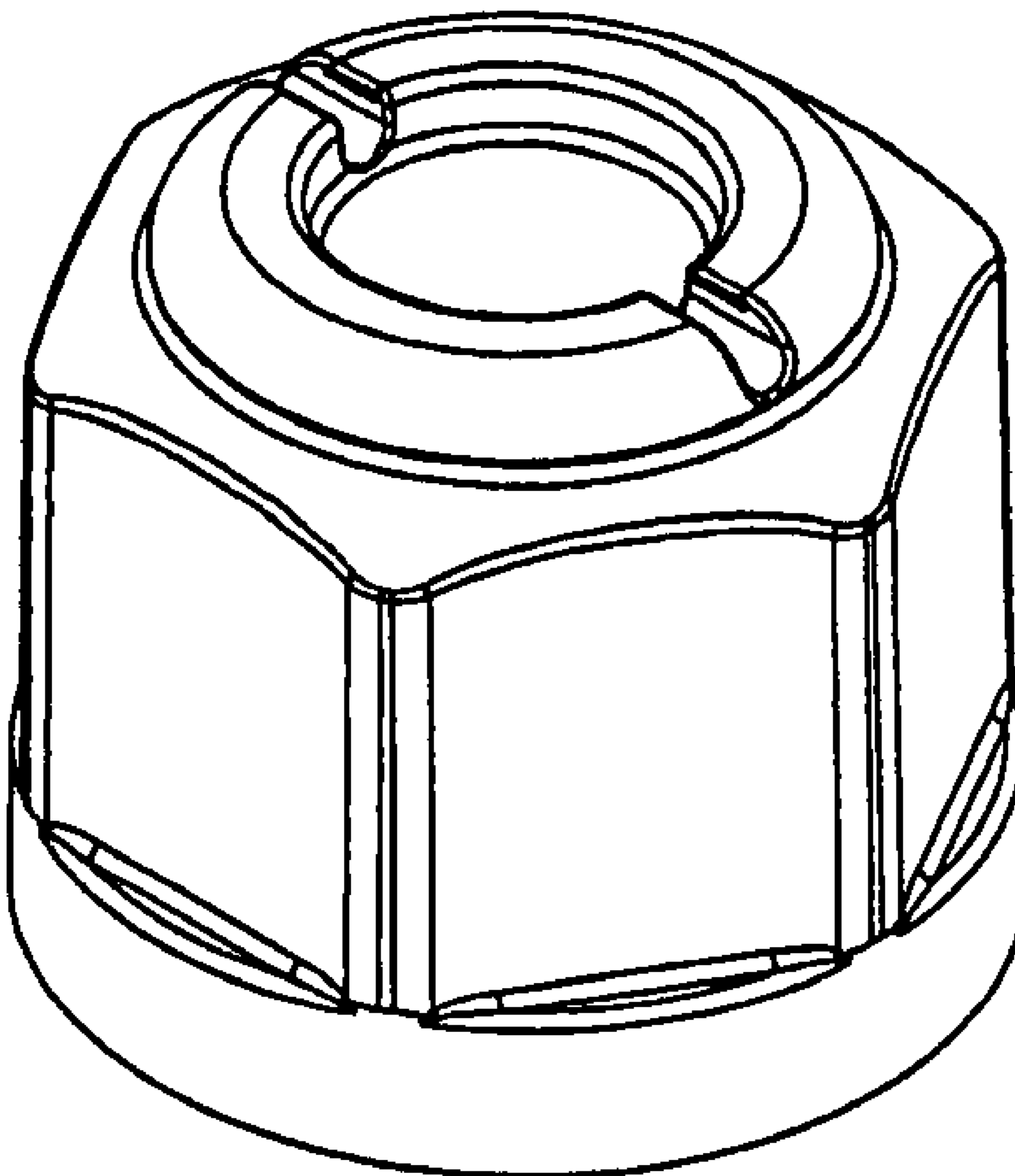
The back elevation view is the same as the front elevation view, and the left side elevation view is the same as the right side elevation view.

(56) **References Cited**

U.S. PATENT DOCUMENTS

D295,370 S * 4/1988 Carlo et al. D8/397
D452,140 S * 12/2001 Shinjo et al. D8/397

1 Claim, 1 Drawing Sheet



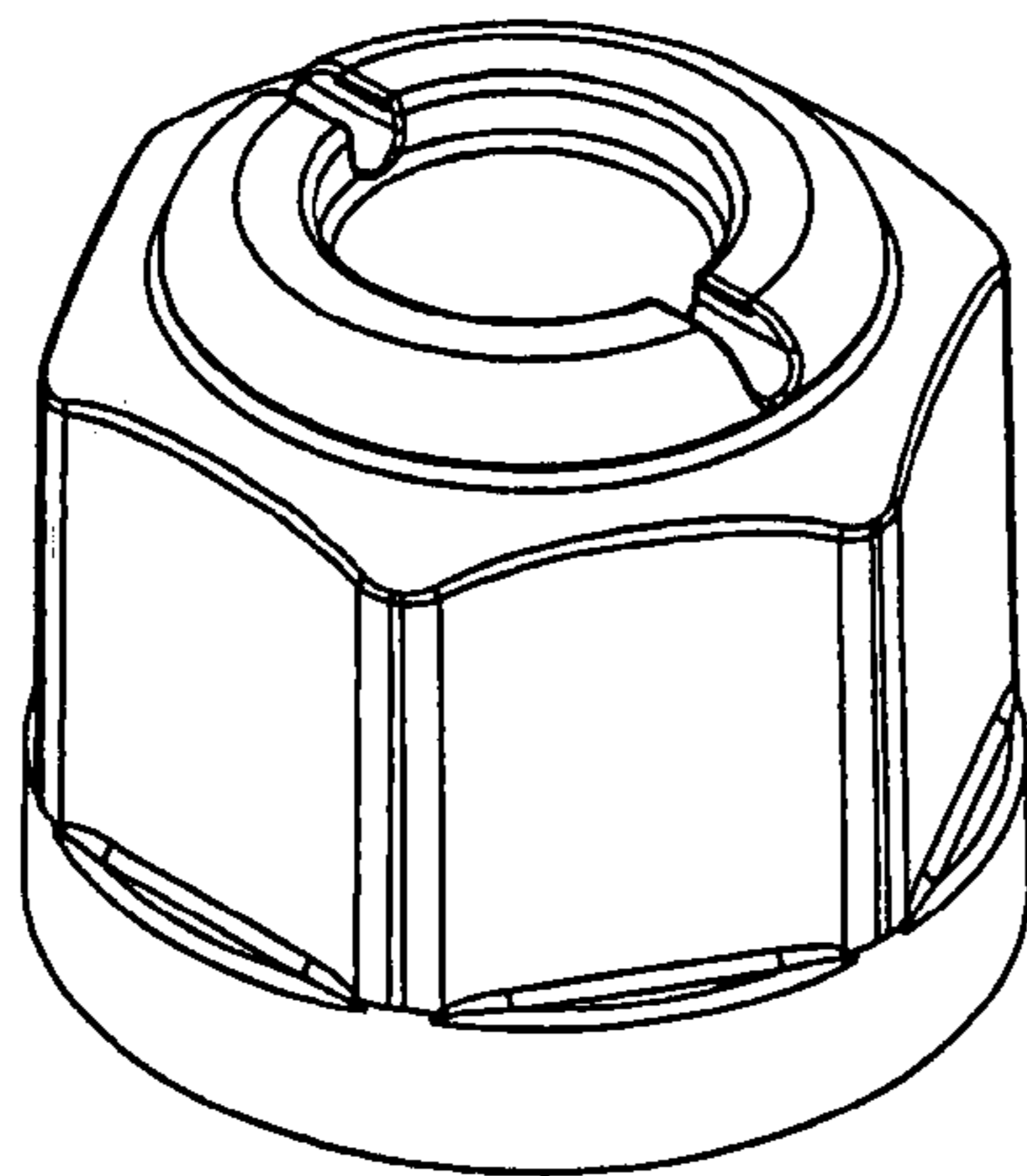


FIG 1

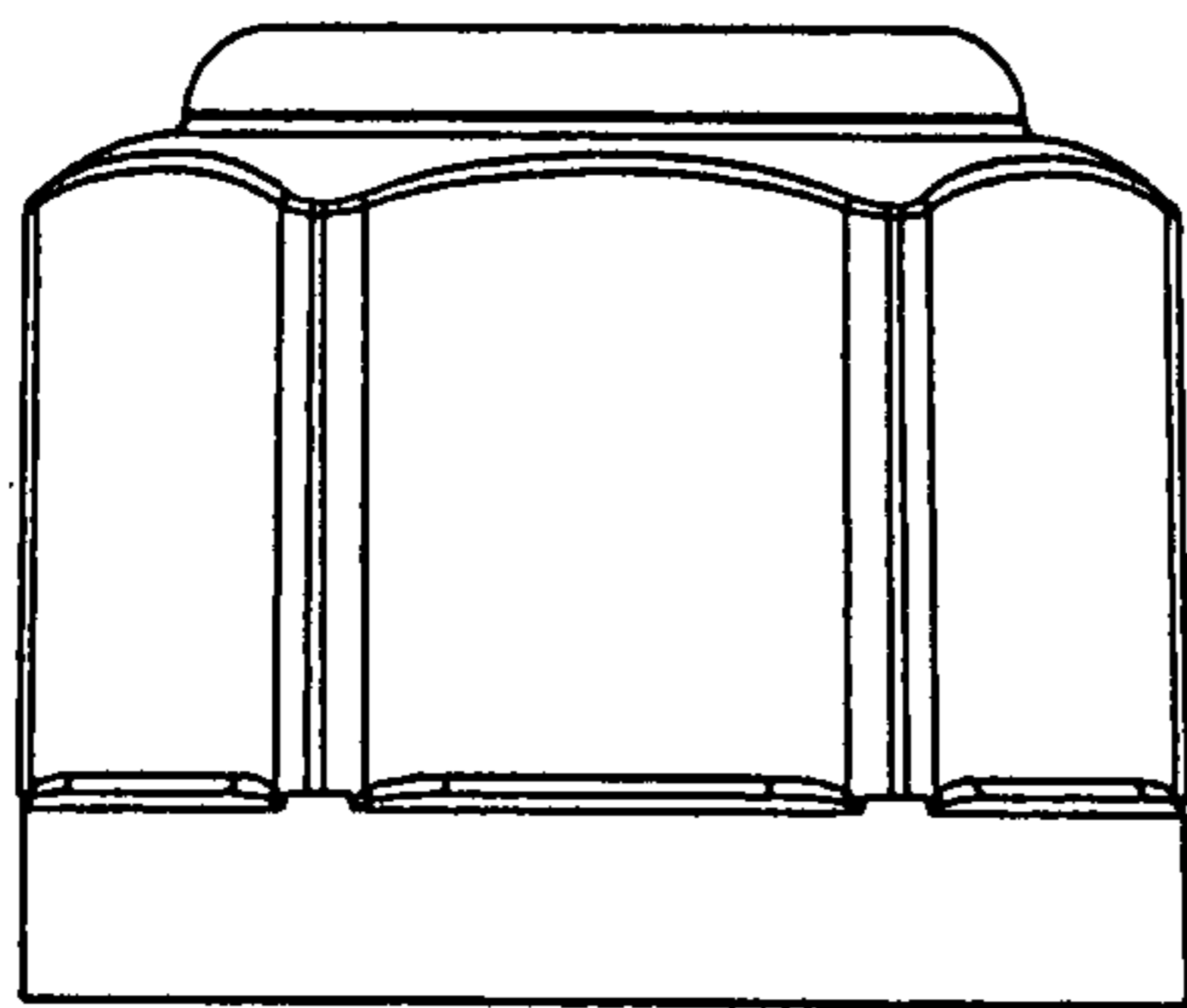


FIG 2

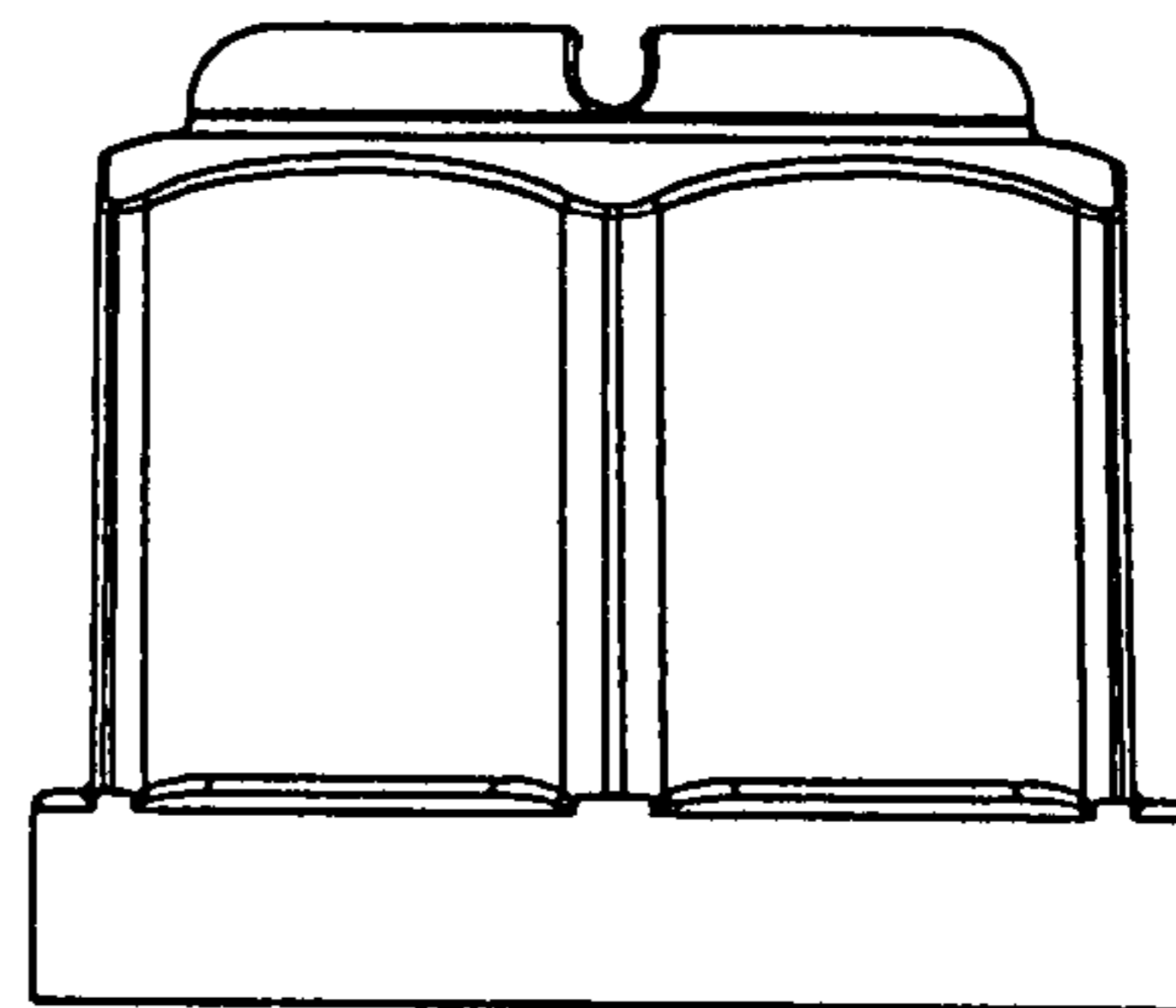


FIG 3

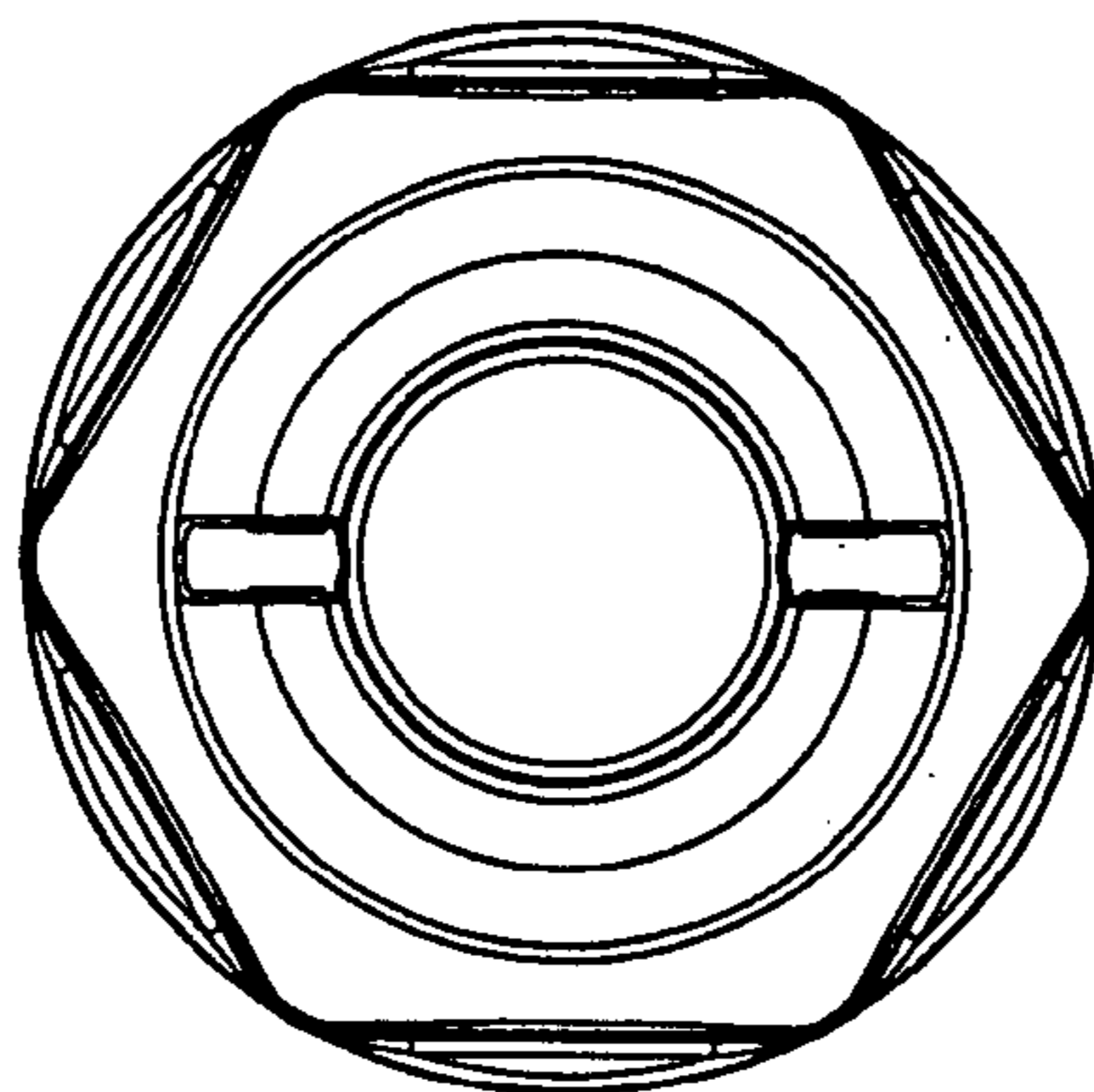


FIG 4