



US00D551971S

(12) **United States Design Patent**
Hardwick

(10) **Patent No.:** **US D551,971 S**

(45) **Date of Patent:** **** *Oct. 2, 2007**

(54) **DISPENSER COVER**

(75) Inventor: **Leonard P. Hardwick**, Naples, FL
(US)

(73) Assignee: **King Technology**, Hopkins, MN (US)

(*) Notice: This patent is subject to a terminal disclaimer.

(**) Term: **14 Years**

(21) Appl. No.: **29/236,578**

(22) Filed: **Aug. 18, 2005**

(51) **LOC (8) Cl.** **09-07**

(52) **U.S. Cl.** **D9/443; D9/452**

(58) **Field of Classification Search** D9/454,
D9/452, 451, 447, 440, 435; D8/310, 305;
D23/250, 245, 242, 238; D11/227, 225, 222;
222/562, 499; 215/361, 355, 300, 299, 294,
215/247, 235, 220, 218, 217, 216

See application file for complete search history.

(56) **References Cited**

U.S. PATENT DOCUMENTS

D157,262 S * 2/1950 Jung D9/451

D274,085 S * 5/1984 Yanagi D23/253
D371,485 S * 7/1996 Hickey D7/392.1
D408,504 S * 4/1999 Bowen D23/249
D425,737 S * 5/2000 Carlson et al. D6/515

* cited by examiner

Primary Examiner—Robert M. Spear

Assistant Examiner—Susan Bennett Hattan

(74) *Attorney, Agent, or Firm*—Jacobson & Johnson

(57) **CLAIM**

The ornamental design for a dispenser cover, as shown and described.

DESCRIPTION

FIG. 1 is a perspective view of a dispenser cover, showing my design;

FIG. 2 is a front elevational view of the dispenser cover, the right elevational view, left elevational view, and rear elevational view being identical.

FIG. 3 is a top view of the dispenser cover; and,

FIG. 4 is a bottom view of the dispenser cover.

The broken lines in FIGS. 1, 2 and 3 represent the bounds of the claimed design; the broken lines in FIG. 4 are for illustrative purposes only. None of the broken lines form part of the claimed design.

1 Claim, 3 Drawing Sheets

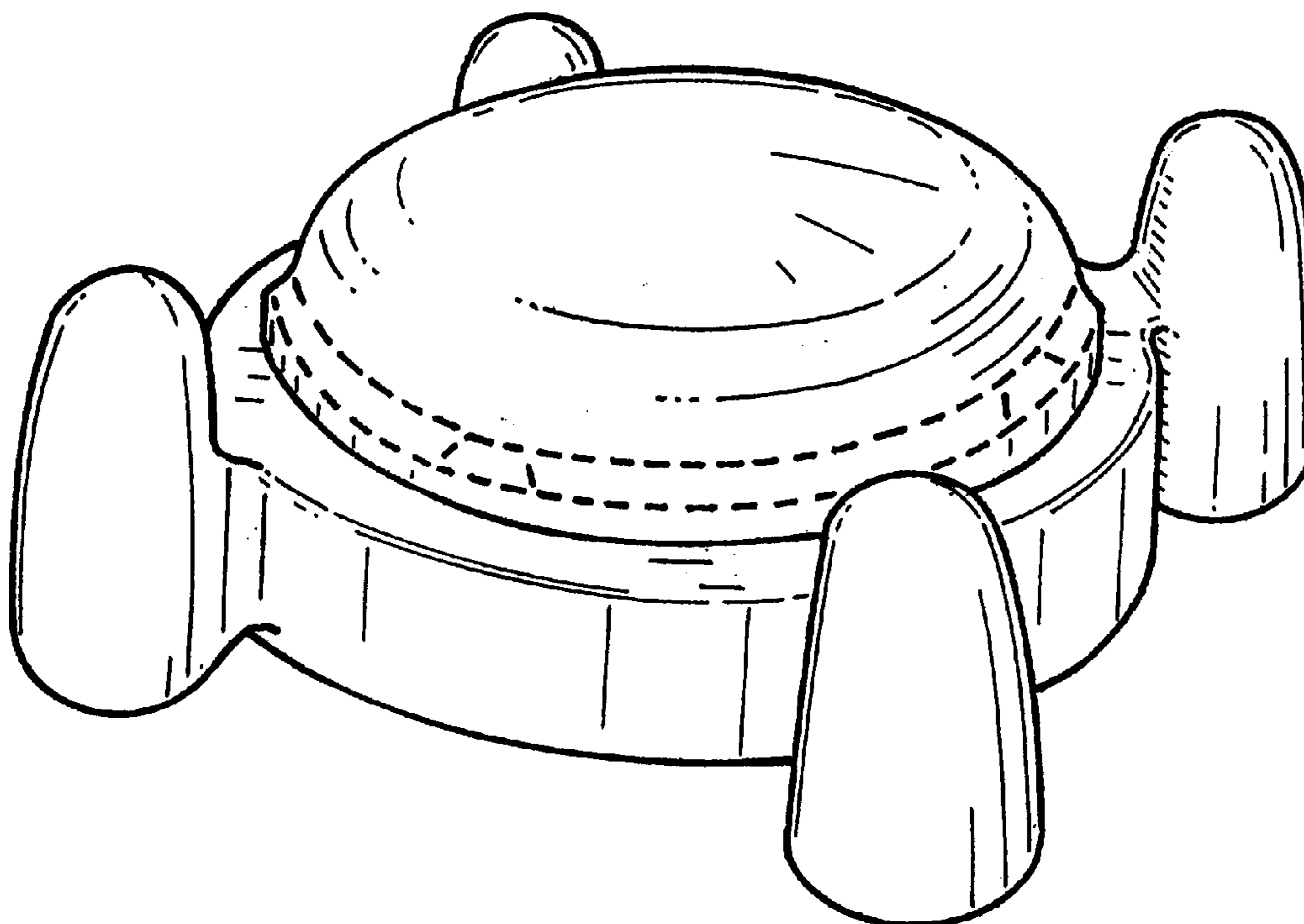


FIG. 1

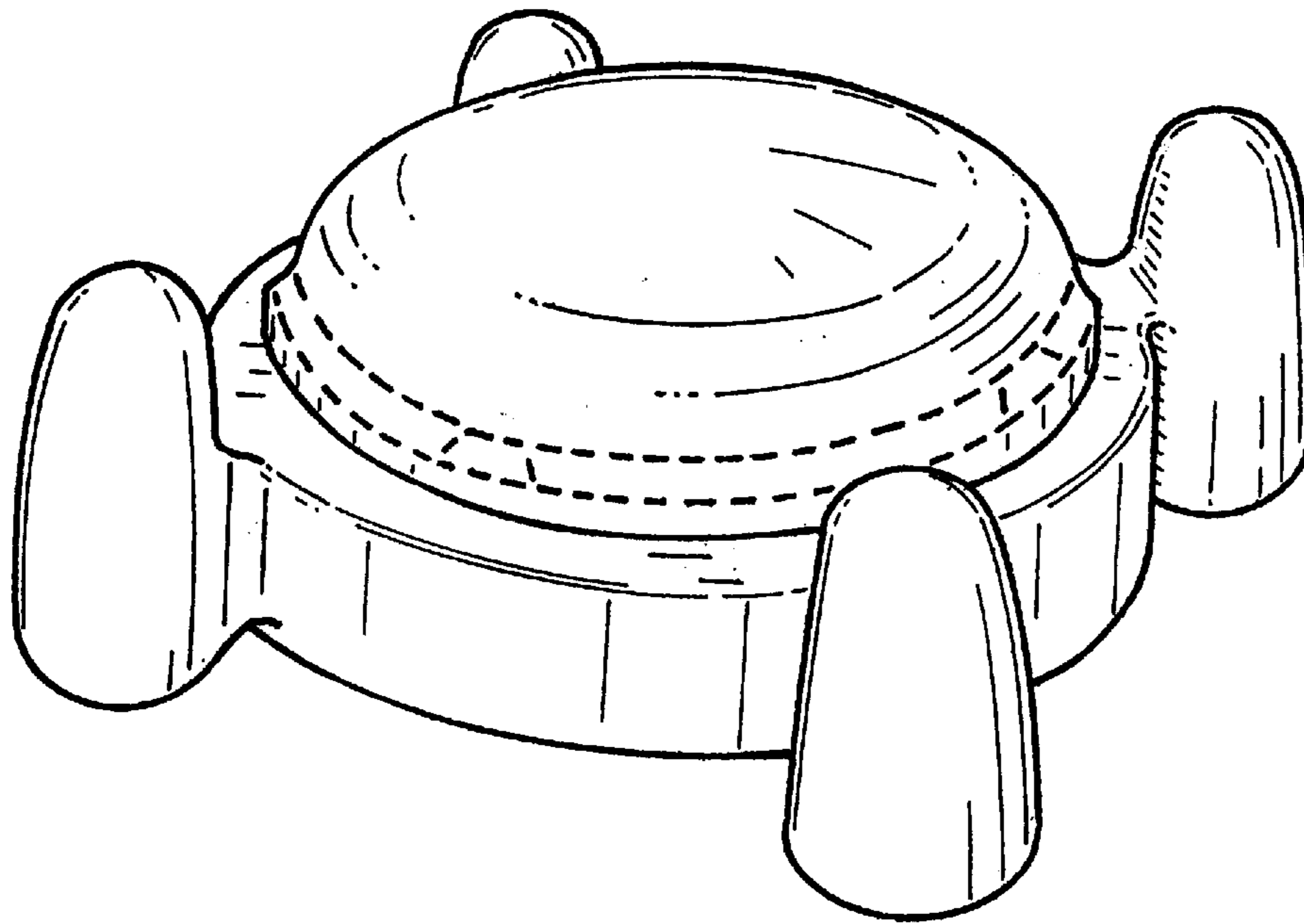


FIG. 2

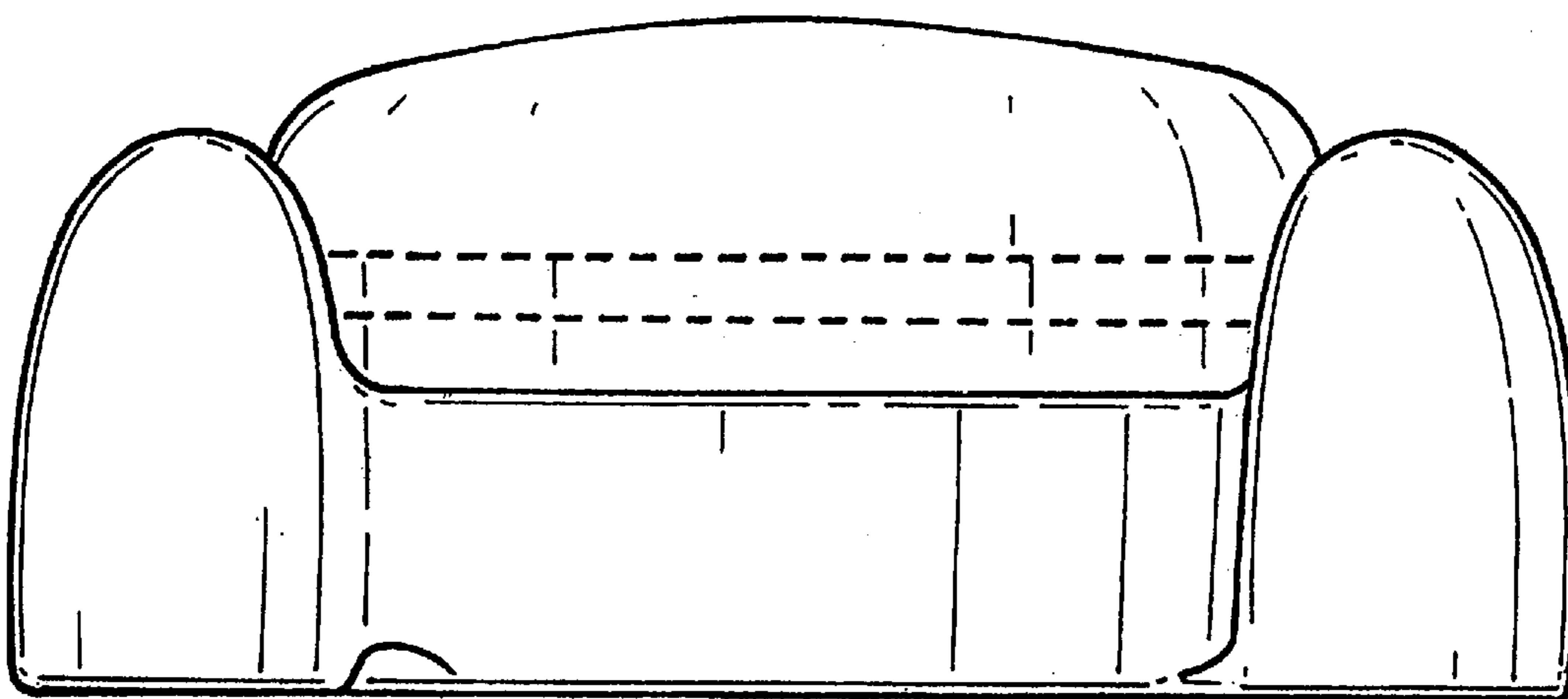


FIG 3

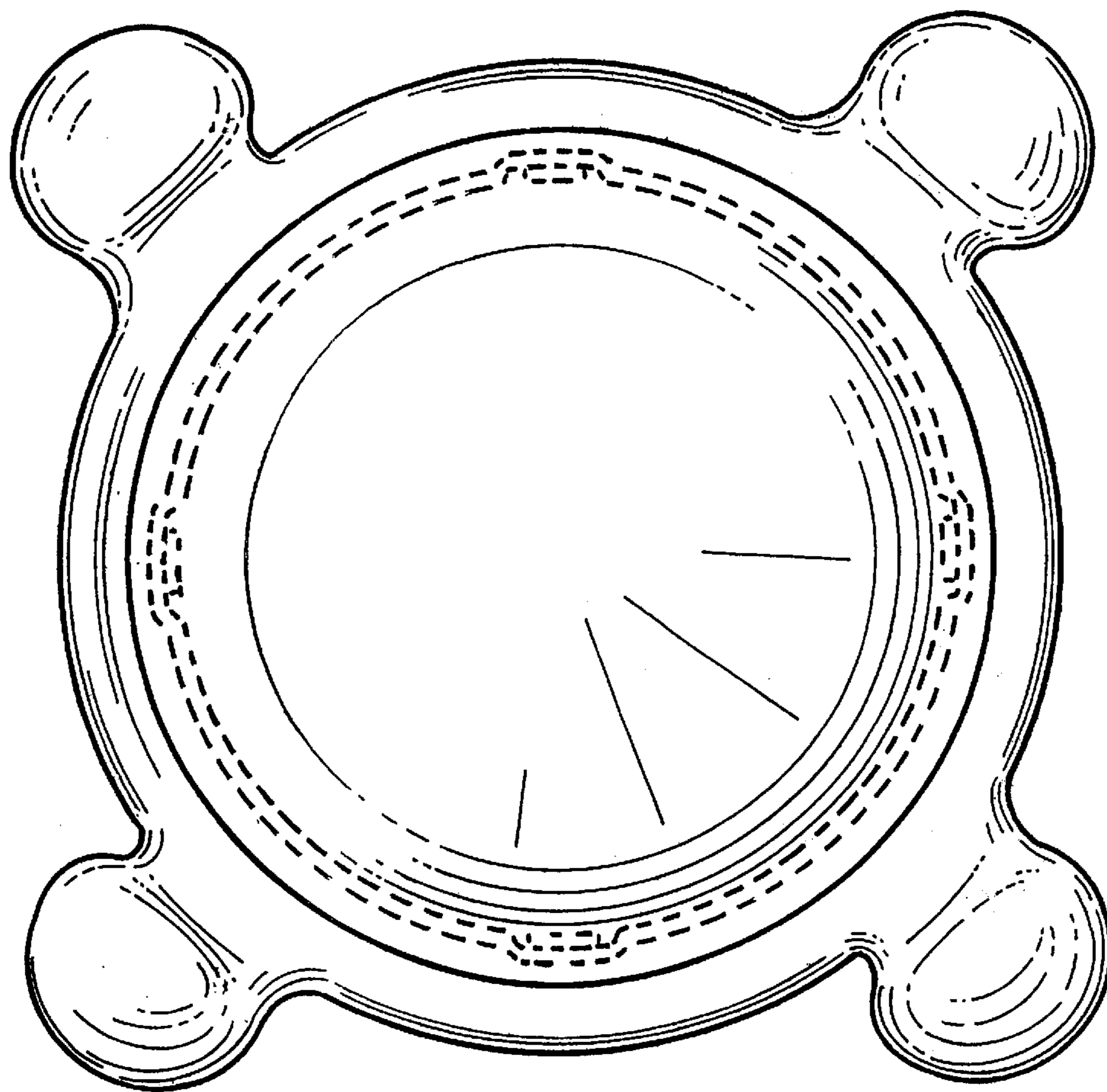


FIG. 4

