



US00D551968S

(12) **United States Design Patent** (10) **Patent No.:** **US D551,968 S**
Kleinsmith (45) **Date of Patent:** **** Oct. 2, 2007**

(54) **CARTON**
(75) Inventor: **Randy James Kleinsmith**, Fairfield Township, OH (US)
(73) Assignee: **The Procter & Gamble Company**, Cincinnati, OH (US)

4,659,608 A 4/1987 Schulz
4,663,214 A 5/1987 Coburn, Jr.
4,695,336 A 9/1987 Coburn, Jr.
4,700,831 A * 10/1987 Kassai 206/232

(Continued)

FOREIGN PATENT DOCUMENTS

EP 1 164 083 B1 9/2004

(Continued)

Primary Examiner—Robert A. Delehanty
(74) *Attorney, Agent, or Firm*—Peter D. Meyer; Betty J. Zea

(**) Term: **14 Years**
(21) Appl. No.: **29/233,141**
(22) Filed: **Jun. 28, 2005**

(51) **LOC (8) Cl.** **09-03**
(52) **U.S. Cl.** **D9/432; D9/418**
(58) **Field of Classification Search** D9/430-433, D9/414-418, 761; 229/105-106, 108, 108.1, 229/100, 112-113, 115-116, 162.1, 922, 229/938; 206/551, 746, 457, 784, 822
See application file for complete search history.

(57) **CLAIM**

The ornamental design for a carton, as shown and described.

DESCRIPTION

FIG. 1 is a perspective view of the carton embodying our new design;

FIG. 2 is a front elevational view thereof;

FIG. 3 is a right elevational view thereof, the left elevational view being a mirror image thereof;

FIG. 4 is a bottom planar view thereof, the top planar view being a mirror image thereof; and,

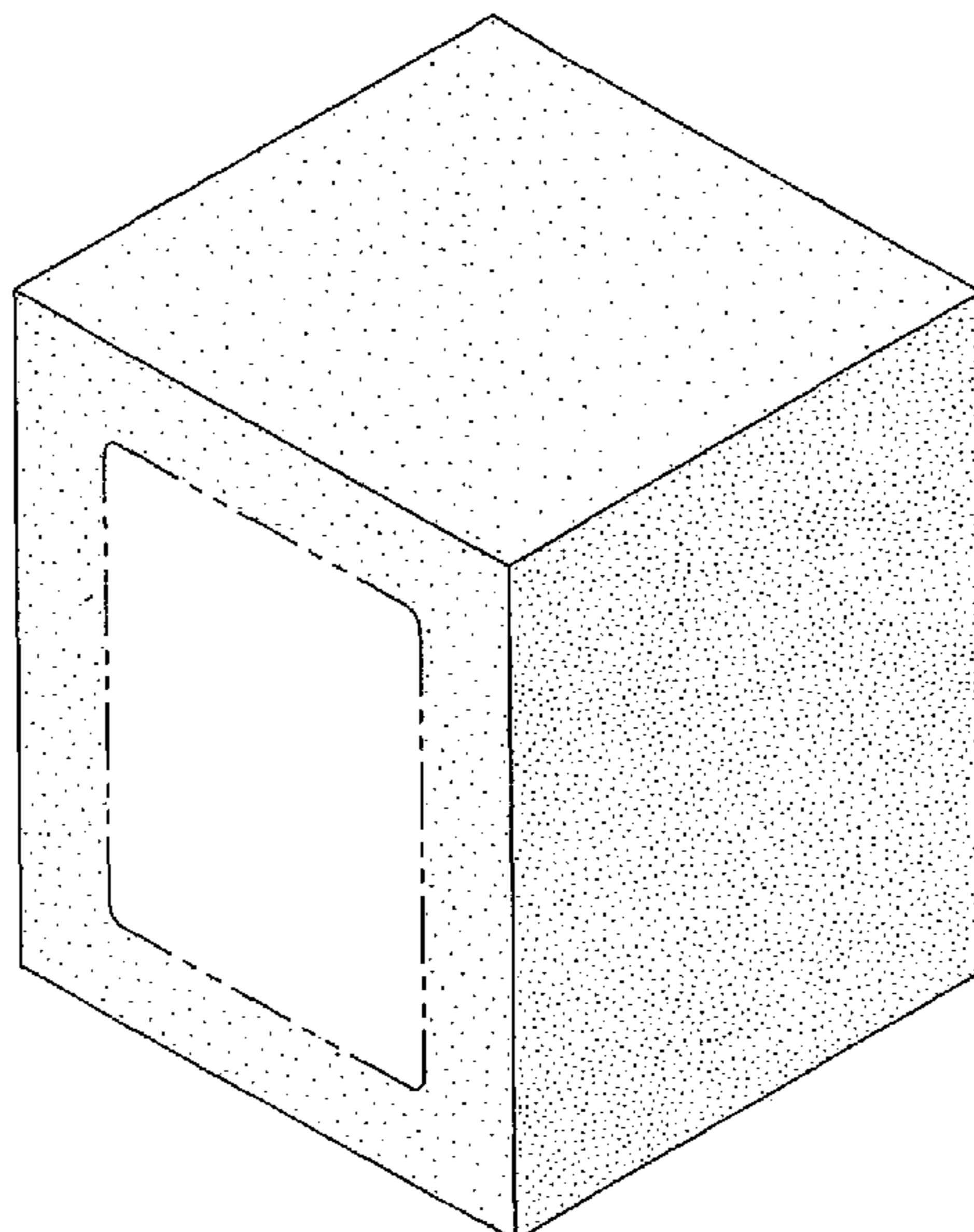
FIG. 5 is a rear elevational view thereof.

The broken lines in the drawing figures have been shown for illustrative purposes only and form no part of the claimed design. A preferred embodiment of the claimed carton provides for an image such as a picture, photograph, lenticular lens, painting, drawing, or other work of art, combinations thereof, and the like, to be positioned within the carton and the image remain viewable through the enclosed region of the carton depicted by the broken lines as shown in FIGS. 1, 2.

(56) **References Cited**
U.S. PATENT DOCUMENTS

1,580,474 A 4/1926 Eckenbrecht
D76,325 S 9/1928 Schleicher
2,817,569 A 12/1957 Jamison et al.
3,865,299 A 2/1975 Crabtree
3,874,547 A 4/1975 Howard
3,944,072 A 3/1976 Budington et al.
4,013,168 A 3/1977 Bamberg et al.
4,063,679 A 12/1977 Henry
4,101,032 A 7/1978 Obidniak
4,109,985 A * 8/1978 Lieb, Jr. 312/262
4,230,729 A 10/1980 Hoelzel et al.
4,316,552 A 2/1982 Hurley, III
4,388,993 A 6/1983 Lavery
4,513,862 A 4/1985 Mallow
4,549,690 A 10/1985 Rosenberg
4,648,548 A 3/1987 Shin
4,656,072 A 4/1987 Coburn, Jr. et al.

1 Claim, 2 Drawing Sheets



US D551,968 S

Page 2

U.S. PATENT DOCUMENTS

4,717,022 A 1/1988 Combs
D294,128 S 2/1988 Patricko
4,773,539 A 9/1988 Nock
4,856,857 A 8/1989 Takeuchi et al.
4,934,039 A 6/1990 Coburn, Jr. et al.
4,976,355 A 12/1990 Crutchfield
4,984,734 A 1/1991 Zion et al.
5,020,664 A 6/1991 Hughes et al.
5,071,062 A 12/1991 Bradley et al.
5,155,604 A 10/1992 Miekka et al.
D330,658 S 11/1992 Manning
5,200,253 A 4/1993 Yamaguchi et al.
5,238,180 A 8/1993 Shimizu
5,238,516 A 8/1993 van Suylekom et al.
5,259,550 A 11/1993 Kuchenbecker
5,276,537 A 1/1994 Savant et al.
5,294,040 A 3/1994 Cohen et al.
5,300,347 A 4/1994 Underhill et al.
5,439,104 A 8/1995 Wolska-Klis
5,462,171 A 10/1995 Moog et al.
5,464,148 A 11/1995 Schoch et al.
5,480,091 A 1/1996 Stout
5,656,380 A 8/1997 Raber et al.

5,725,099 A 3/1998 Ericson
5,781,316 A 7/1998 Strahl et al.
5,871,144 A 2/1999 Anchor et al.
5,901,904 A 5/1999 Avot
5,988,389 A 11/1999 Buscema
6,019,276 A 2/2000 Auclair
6,120,710 A 9/2000 Makansi
D432,013 S 10/2000 Glees
6,141,123 A 10/2000 Nakashima et al.
6,182,888 B1 2/2001 Ljungstrom
6,202,920 B1 3/2001 Auclair
6,270,451 B1 8/2001 Palm et al.
6,427,371 B2 * 8/2002 Olson et al. 40/789
6,443,357 B1 9/2002 Marbe et al.
D477,780 S 7/2003 Springer et al.
D529,795 S * 10/2006 Kragtwijk D9/418
2004/0112768 A1 6/2004 Pluck et al.
2004/0251292 A1 12/2004 Grebonval et al.

FOREIGN PATENT DOCUMENTS

WO WO 01/17863 A2 3/2001
WO WO 02/12104 A1 2/2002

* cited by examiner

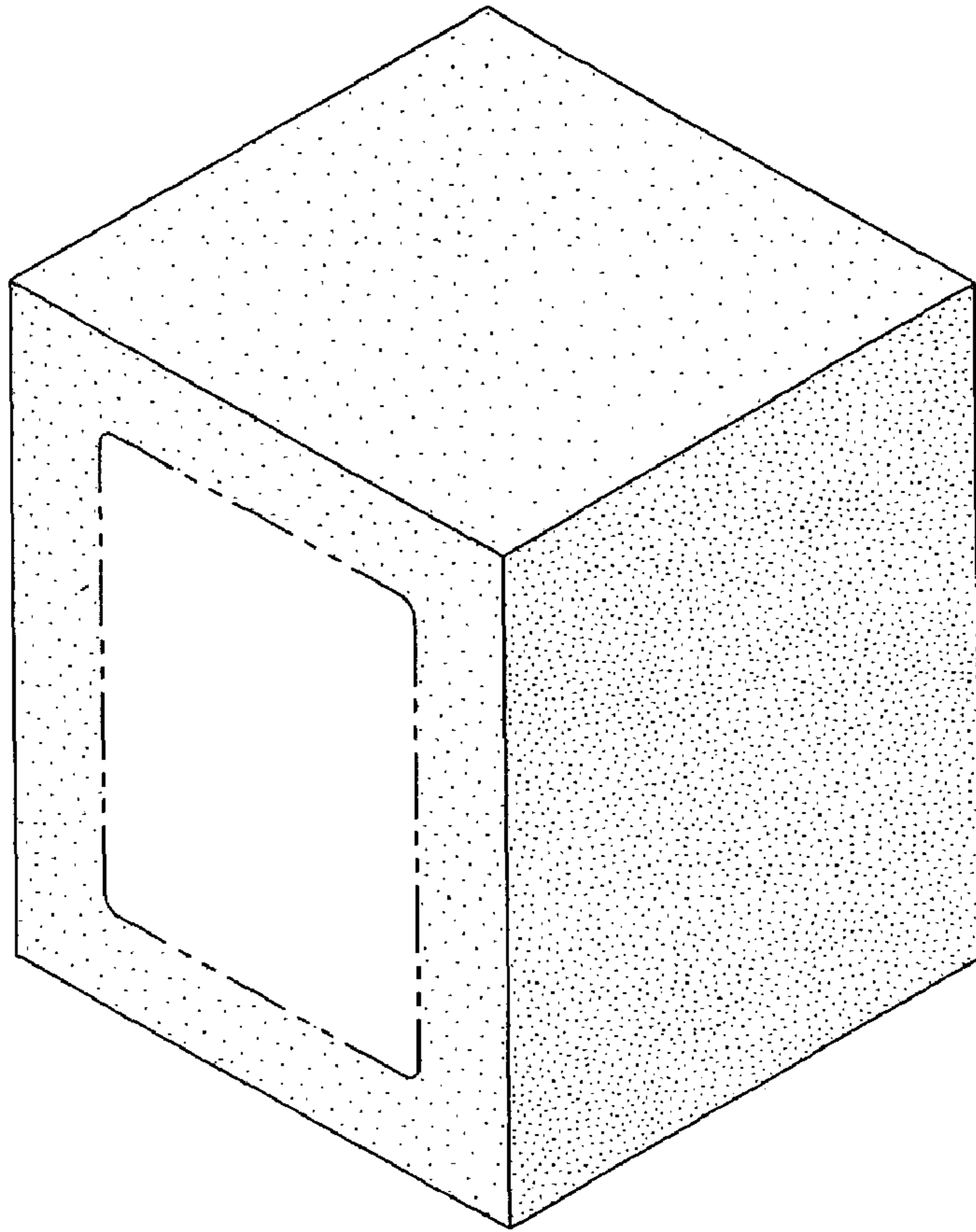


Fig. 1

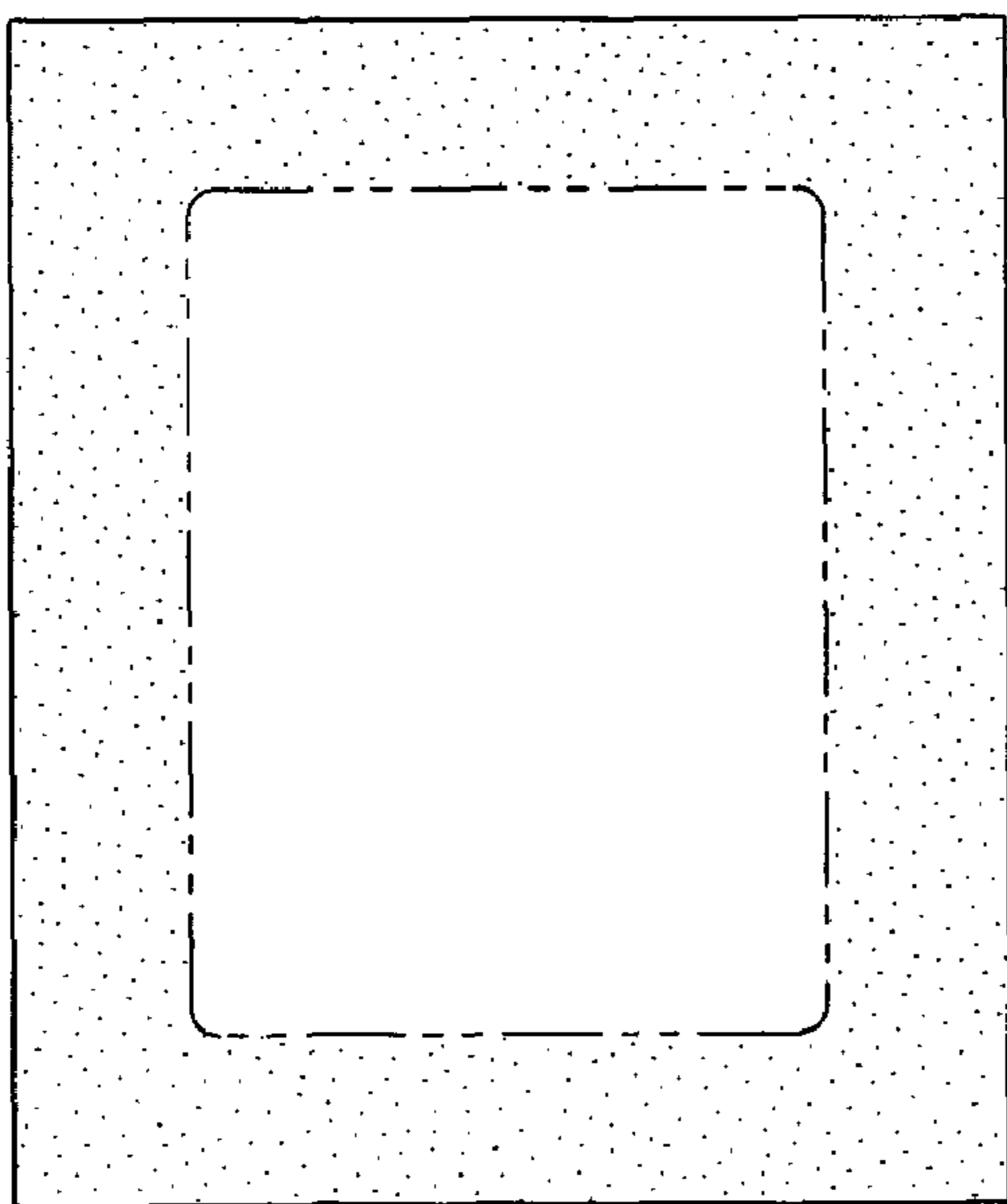


Fig. 2

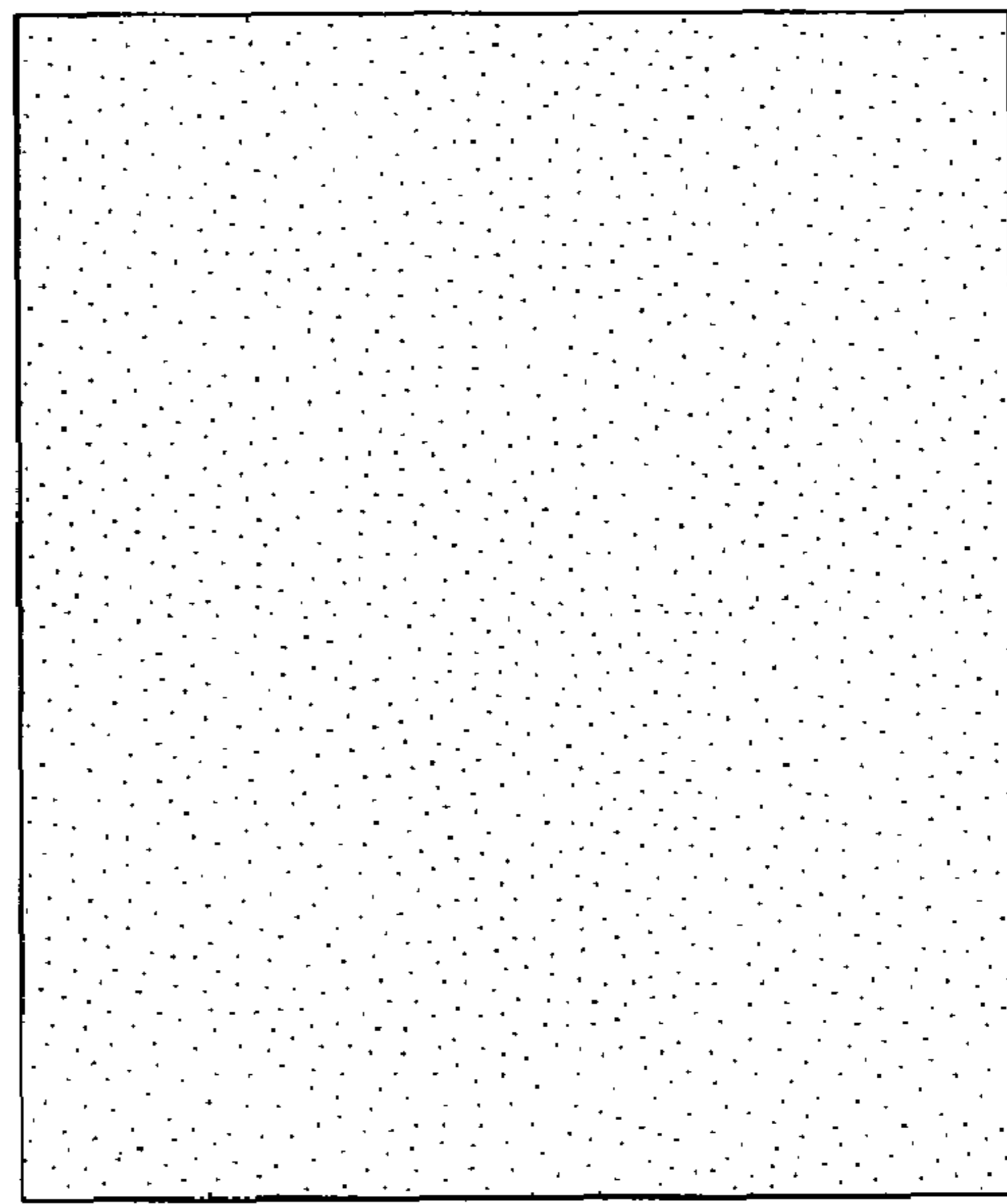


Fig. 3

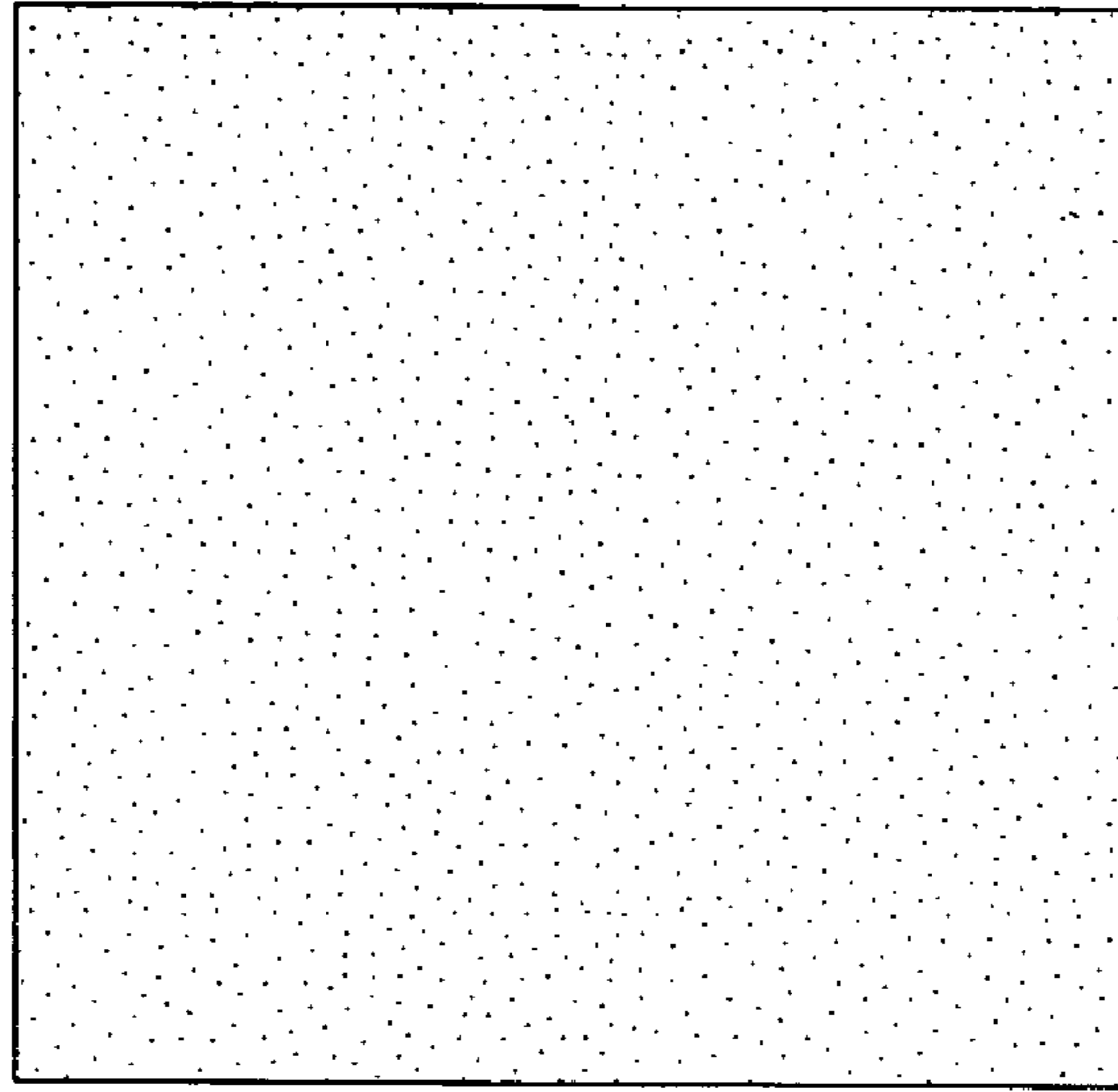


Fig. 4

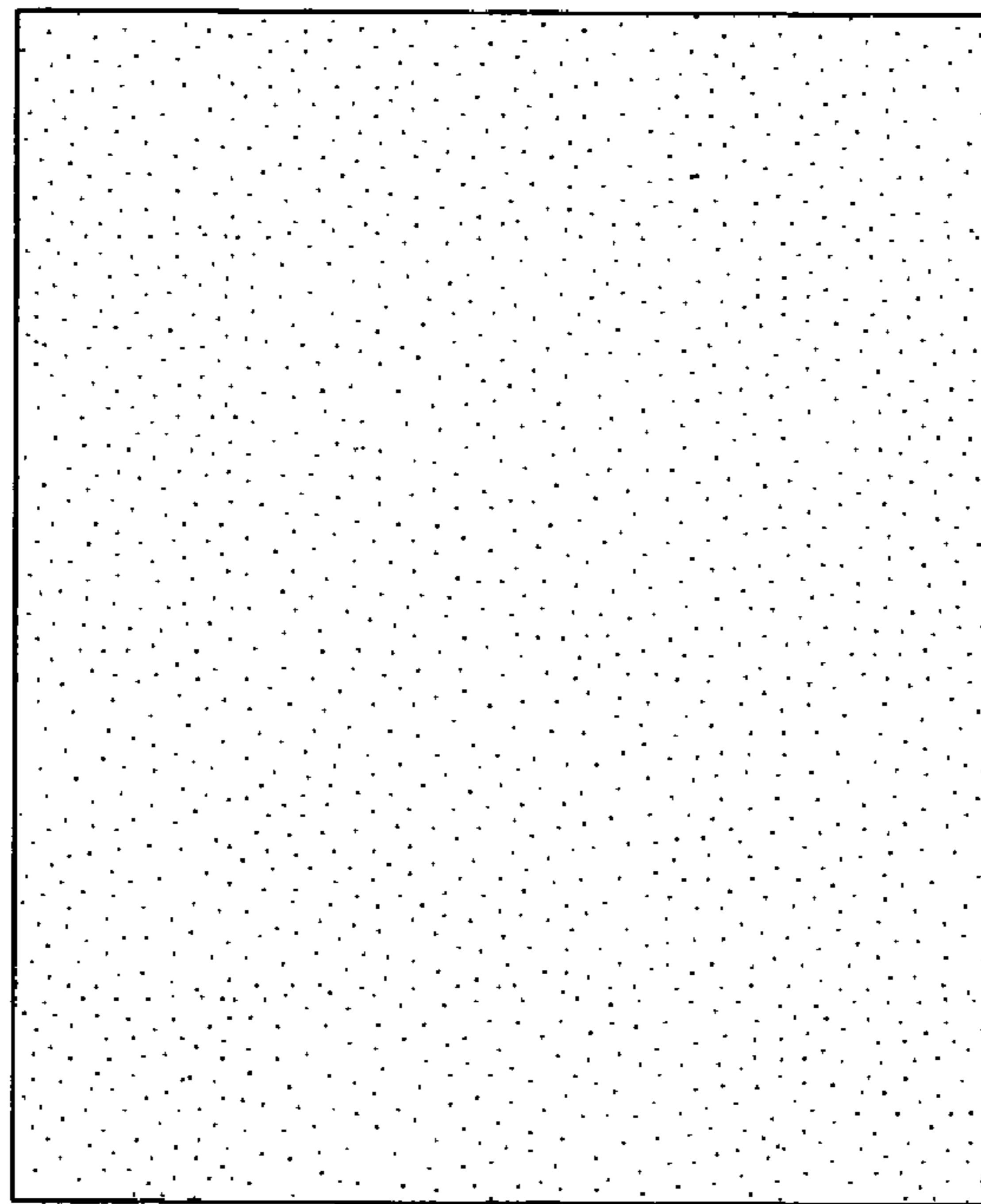


Fig. 5