



US00D551967S

(12) **United States Design Patent**
Hengami

(10) **Patent No.:** **US D551,967 S**

(45) **Date of Patent:** **** Oct. 2, 2007**

(54) **DISTINCTIVE BOX**

(75) Inventor: **David T. Hengami**, Torrance, CA (US)

(73) Assignee: **David Todjar Hengami**, Torrance, CA (US)

(**) Term: **14 Years**

(21) Appl. No.: **29/260,207**

(22) Filed: **May 23, 2006**

(51) **LOC (8) Cl.** **09-03**

(52) **U.S. Cl.** **D9/431**

(58) **Field of Classification Search** D9/430-433,
D9/414-418; 229/105-106, 108, 108.1,
229/100, 112-113, 115-116, 110, 162.1,
229/922, 938; 206/551, 746, 457, 784, 822
See application file for complete search history.

(56) **References Cited**

U.S. PATENT DOCUMENTS

3,079,062	A *	2/1963	Craddock et al.	229/116
4,063,679	A *	12/1977	Henry	229/108.1
5,040,721	A *	8/1991	Essack	229/112
D319,976	S *	9/1991	Wortley et al.	D9/417
D320,935	S *	10/1991	Nylander	D9/417
D361,262	S *	8/1995	Lusker	D9/430
D390,330	S *	2/1998	Skaya	D99/34
5,927,498	A *	7/1999	Saam	206/499
D425,413	S *	5/2000	Heeley et al.	D9/415

D455,455	S *	4/2002	Katsuyama	D18/43
D508,850	S *	8/2005	Ghini et al.	D9/431
2005/0061864	A1 *	3/2005	Lee	229/216
2005/0211754	A1 *	9/2005	Fulcher	229/117.3

* cited by examiner

Primary Examiner—Robert A. Delehanty

(74) *Attorney, Agent, or Firm*—Lauson & Schewe LLP;
Robert J. Lauson; Edward C. Schewe

(57) **CLAIM**

The ornamental design for a distinctive box, as shown and described.

DESCRIPTION

FIG. 1 is a front perspective view of the preferred embodiment showing my new design;

FIG. 2 is a rear prospective;

FIG. 3 is a top view thereof;

FIG. 4 is a front view thereof;

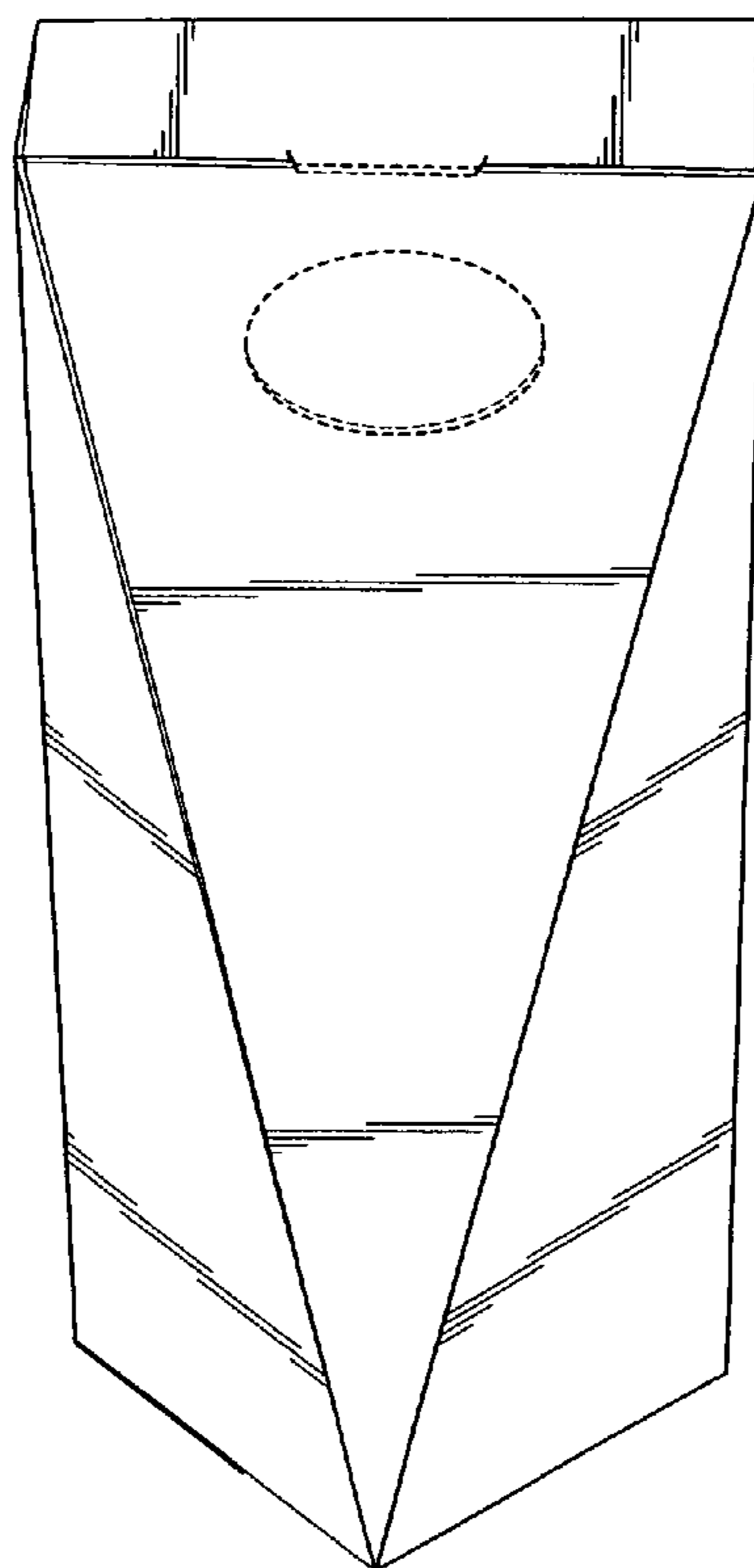
FIG. 5 is side elevation view, the left and right sides being symmetrical;

FIG. 6 is a rear view thereof; and,

FIG. 7 is a bottom view thereof.

The broken lines shown in FIGS. 1-4 and 7 are for illustrative purposes only and form no part of the claimed design.

1 Claim, 3 Drawing Sheets



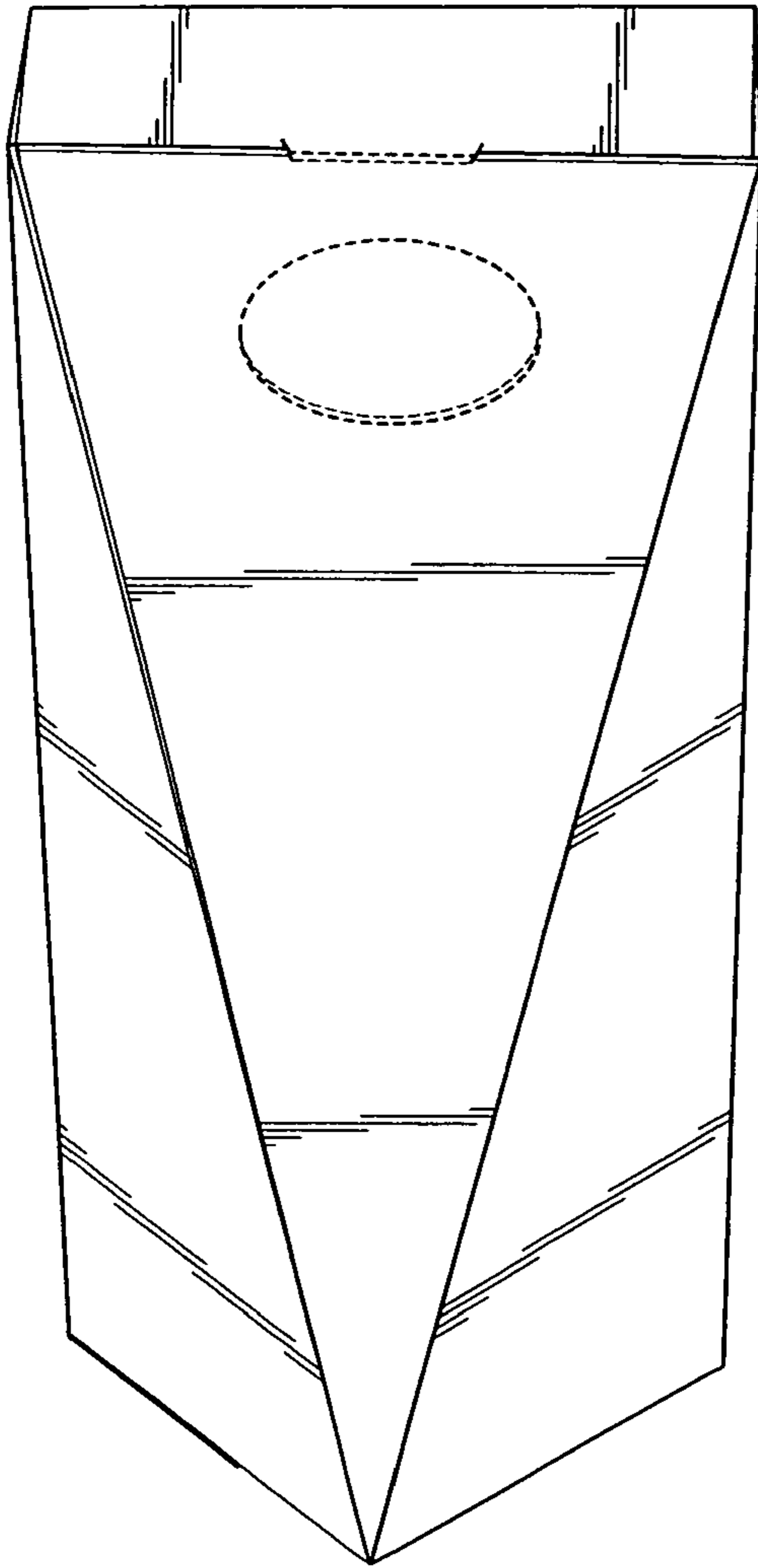


FIG. 1

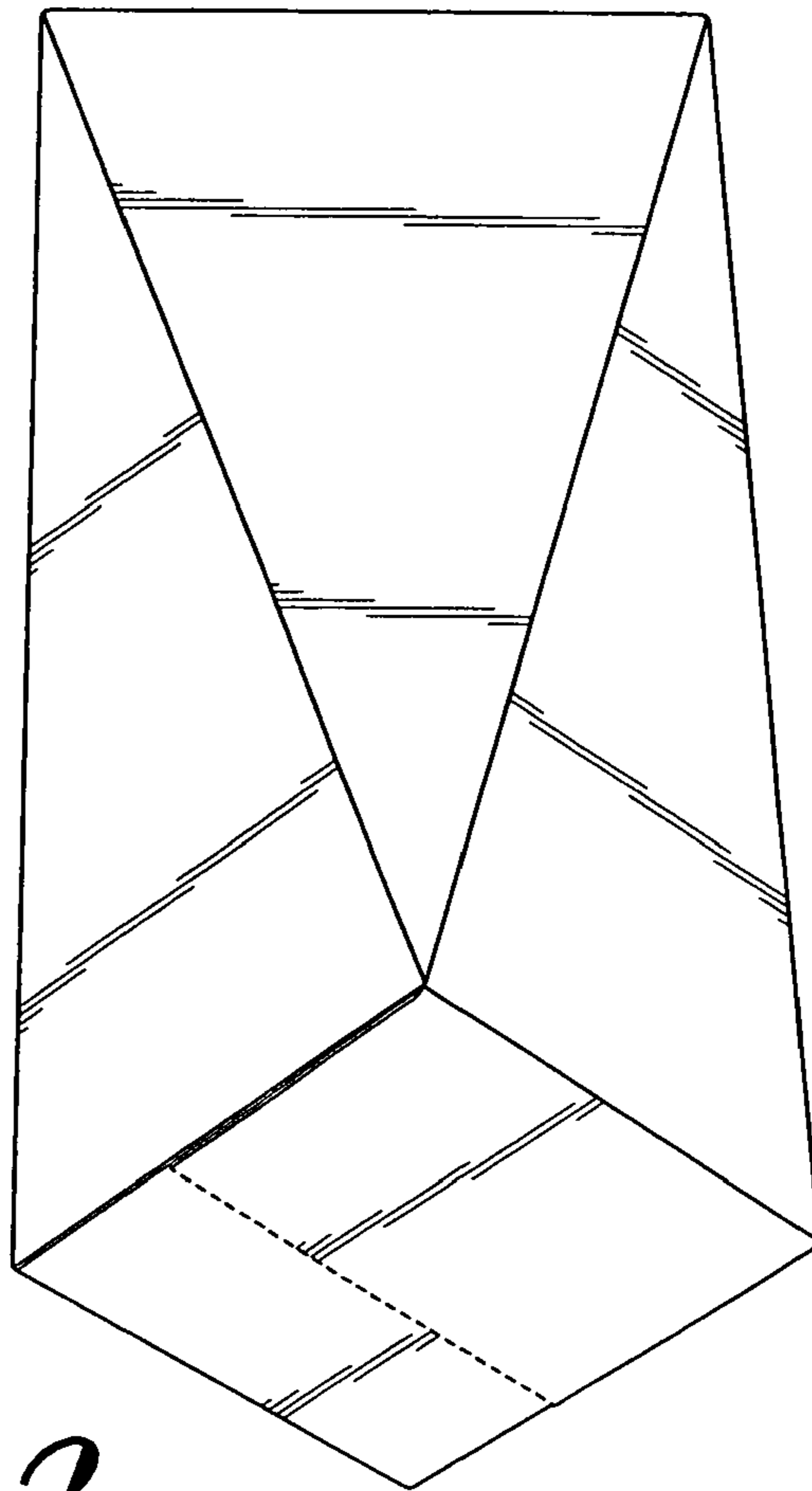


FIG. 2

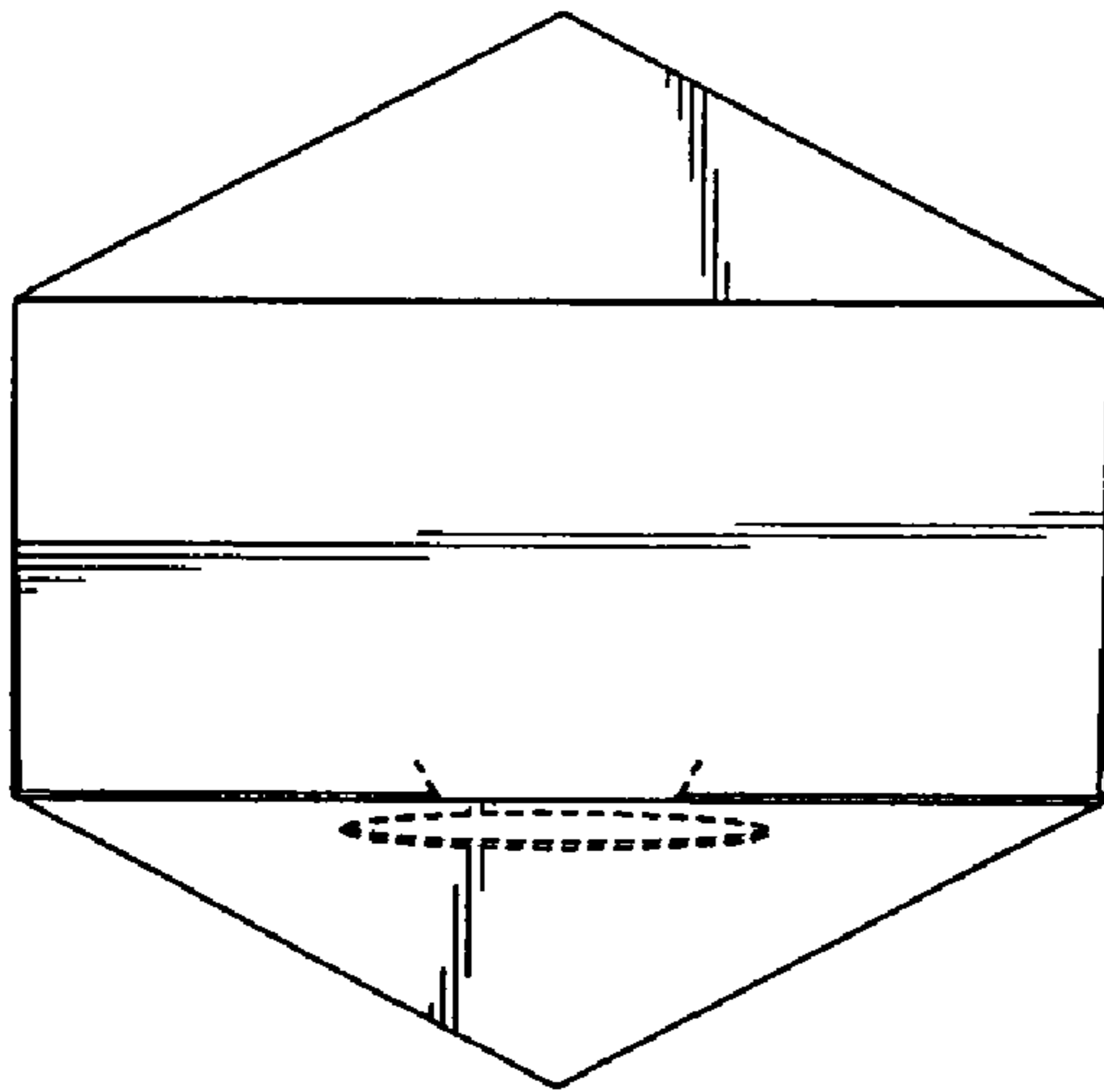


FIG. 3

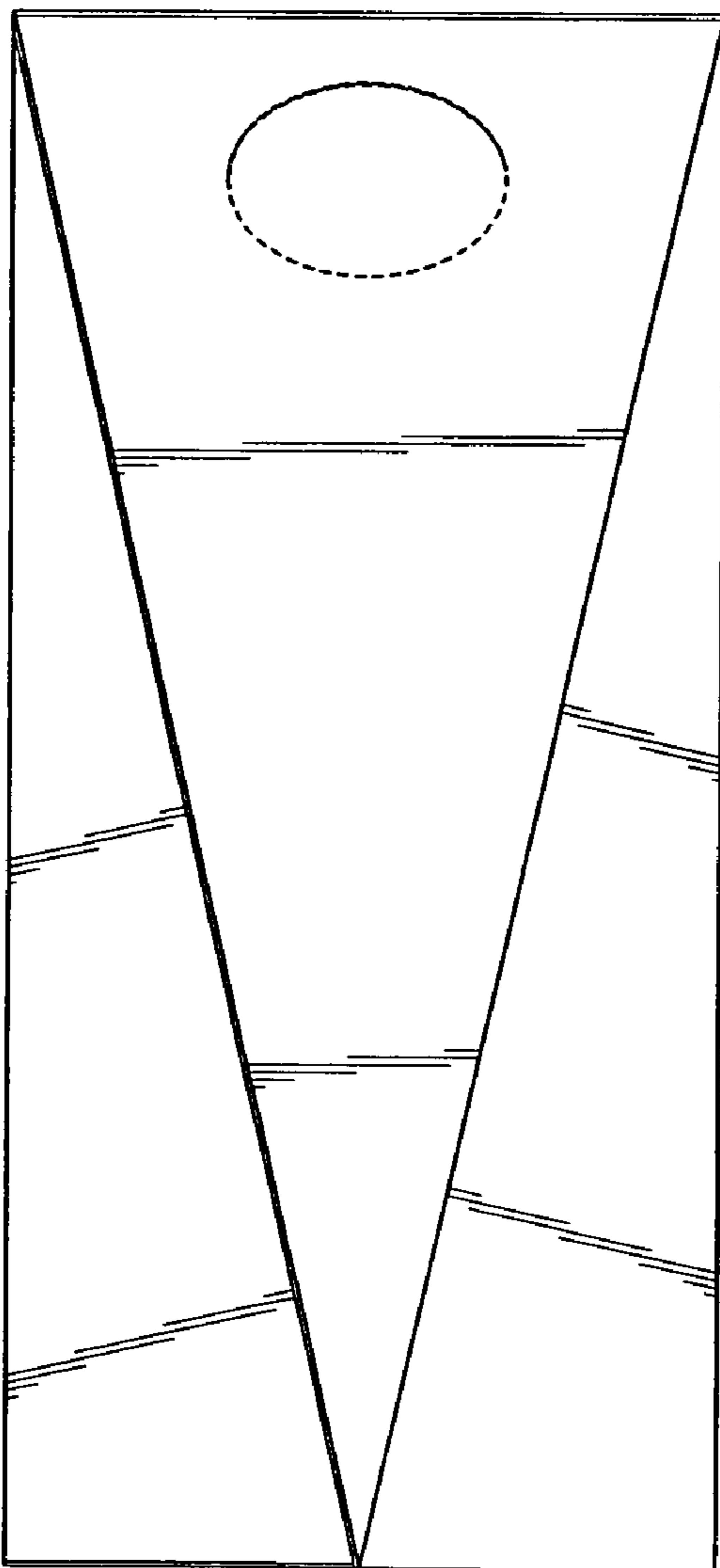


FIG. 4

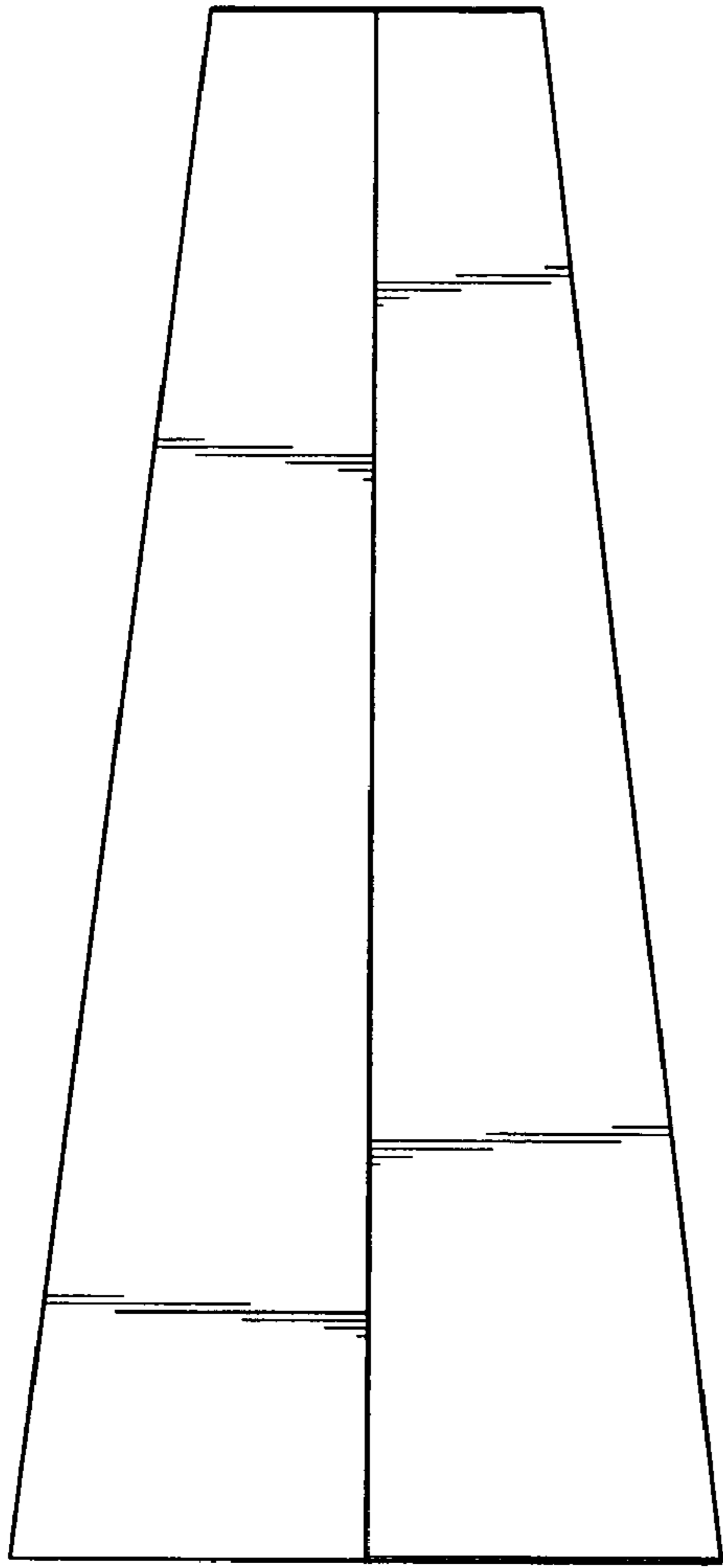


FIG. 5

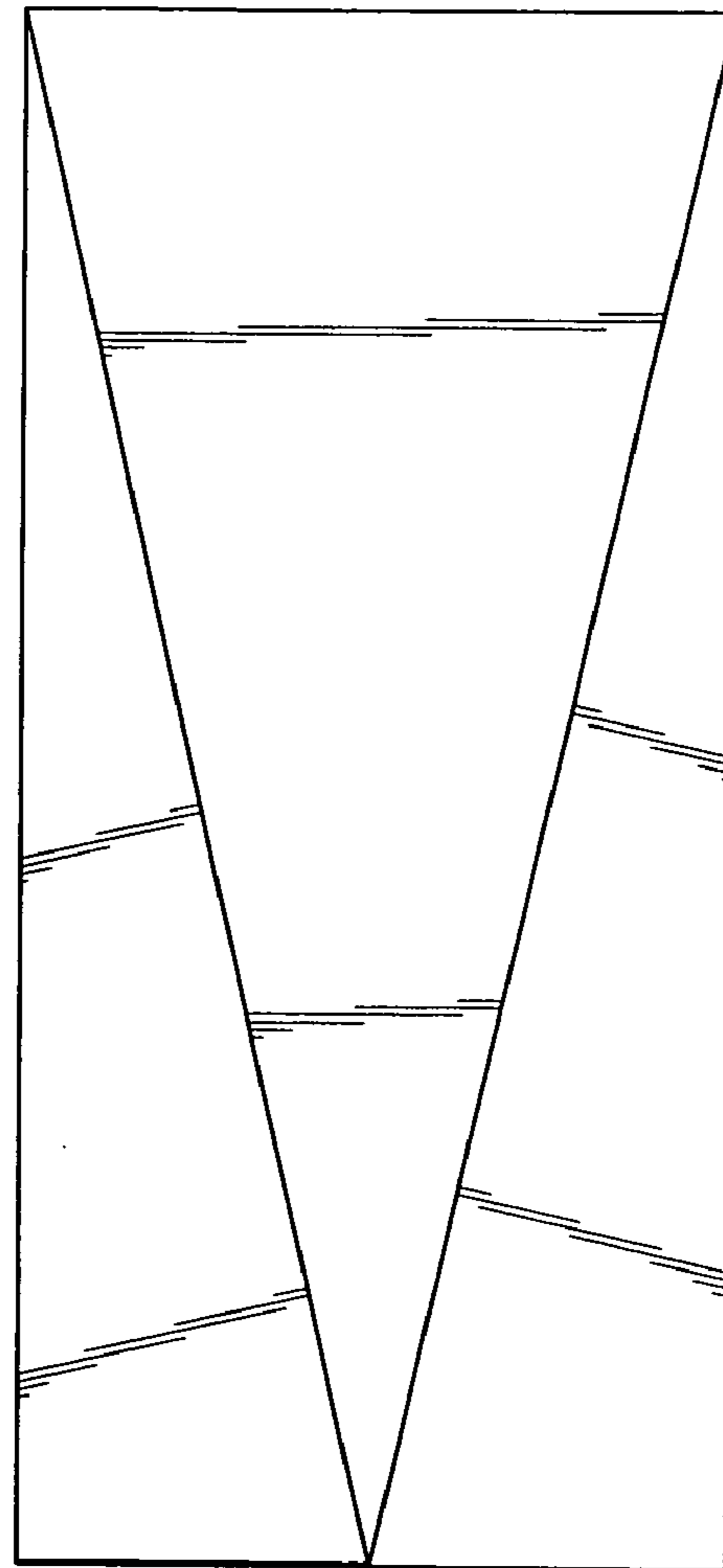


FIG. 6

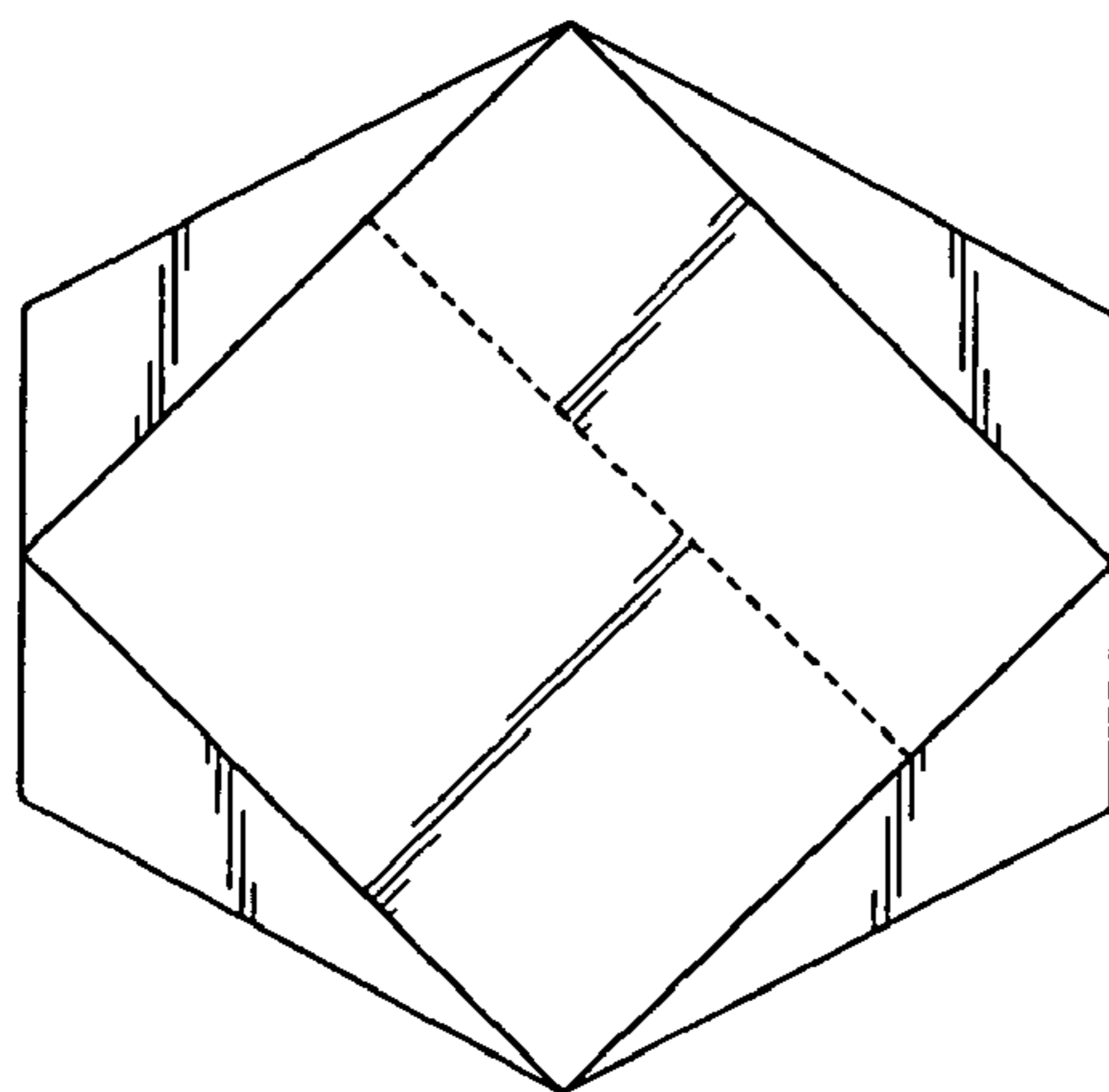


FIG. 7