



US00D551966S

(12) **United States Design Patent** (10) **Patent No.:** **US D551,966 S**  
**Blasko et al.** (45) **Date of Patent:** **\*\* Oct. 2, 2007**

(54) **PRODUCT PACKAGE**

D531,497 S 11/2006 Blasko

(75) Inventors: **Tanya Nicole Blasko**, Cincinnati, OH (US); **Stacy Alycia Thomas**, Chicago, IL (US); **Erica Heidi Hollmann**, Kenosha, WI (US)

(73) Assignee: **The Procter & Gamble Company**, Cincinnati, OH (US)

(\*\*) Term: **14 Years**

(21) Appl. No.: **29/269,518**

(22) Filed: **Dec. 1, 2006**

**Related U.S. Application Data**

(62) Division of application No. 29/238,857, filed on Sep. 22, 2005, now Pat. No. Des. 539,135.

(51) **LOC (8) Cl.** ..... **09-03**

(52) **U.S. Cl.** ..... **D9/428; D9/424**

(58) **Field of Classification Search** ..... D9/414, D9/421, 424, 425, 426, 428, 429, 431; 206/216, 206/218; 215/382; 220/670, 675, 680  
See application file for complete search history.

(56) **References Cited**

**U.S. PATENT DOCUMENTS**

- 1,237,016 A \* 8/1917 Brown ..... 220/825
- 2,638,820 A \* 5/1953 Barnes ..... 493/56
- D271,090 S \* 10/1983 Edgar et al. .... D11/131
- D292,883 S \* 11/1987 Griffin et al. .... D9/500
- D463,658 S \* 10/2002 Lemoine ..... D3/205
- D463,907 S \* 10/2002 Lemoine ..... D3/205
- D466,809 S \* 12/2002 Sagel ..... D9/428
- D495,186 S \* 8/2004 Poupel et al. .... D7/300.1

**OTHER PUBLICATIONS**

- U.S. Appl. No. 29/238,857, filed Sep. 22, 2005, Blasko.
- U.S. Appl. No. 29/269,519, filed Dec. 1, 2006, Blasko.
- U.S. Appl. No. 29/238,855, filed Sep. 22, 2005, Blasko.
- U.S. Appl. No. 29/269,517, filed Dec. 1, 2006, Blasko.
- U.S. Appl. No. 29/269,512, filed Dec. 1, 2006, Blasko.
- U.S. Appl. No. 29/238,916, filed Sep. 22, 2005, Blasko.
- U.S. Appl. No. 29/269,526, filed Dec. 1, 2006, Blasko.
- U.S. Appl. No. 29/269,511, filed Dec. 1, 2006, Blasko.
- U.S. Appl. No. 29/238,856, filed Sep. 22, 2005, Blasko.
- U.S. Appl. No. 29/269,510, filed Dec. 1, 2006, Blasko.
- U.S. Appl. No. 29/269,527, filed Dec. 1, 2006, Blasko.
- U.S. Appl. No. 29/263,229, filed Jul. 19, 2006, Blasko.
- U.S. Appl. No. 29/263,235, filed Jul. 19, 2006, Blasko.

\* cited by examiner

*Primary Examiner*—Prabhakar Deshmukh

*Assistant Examiner*—Derrick Holland

(74) *Attorney, Agent, or Firm*—John M. Howell

(57) **CLAIM**

The ornamental design for product package, as shown and described.

**DESCRIPTION**

FIG. 1 is a perspective rear view of a product package showing our new design, with a view of the interior;

FIG. 2 is a top plan view thereof;

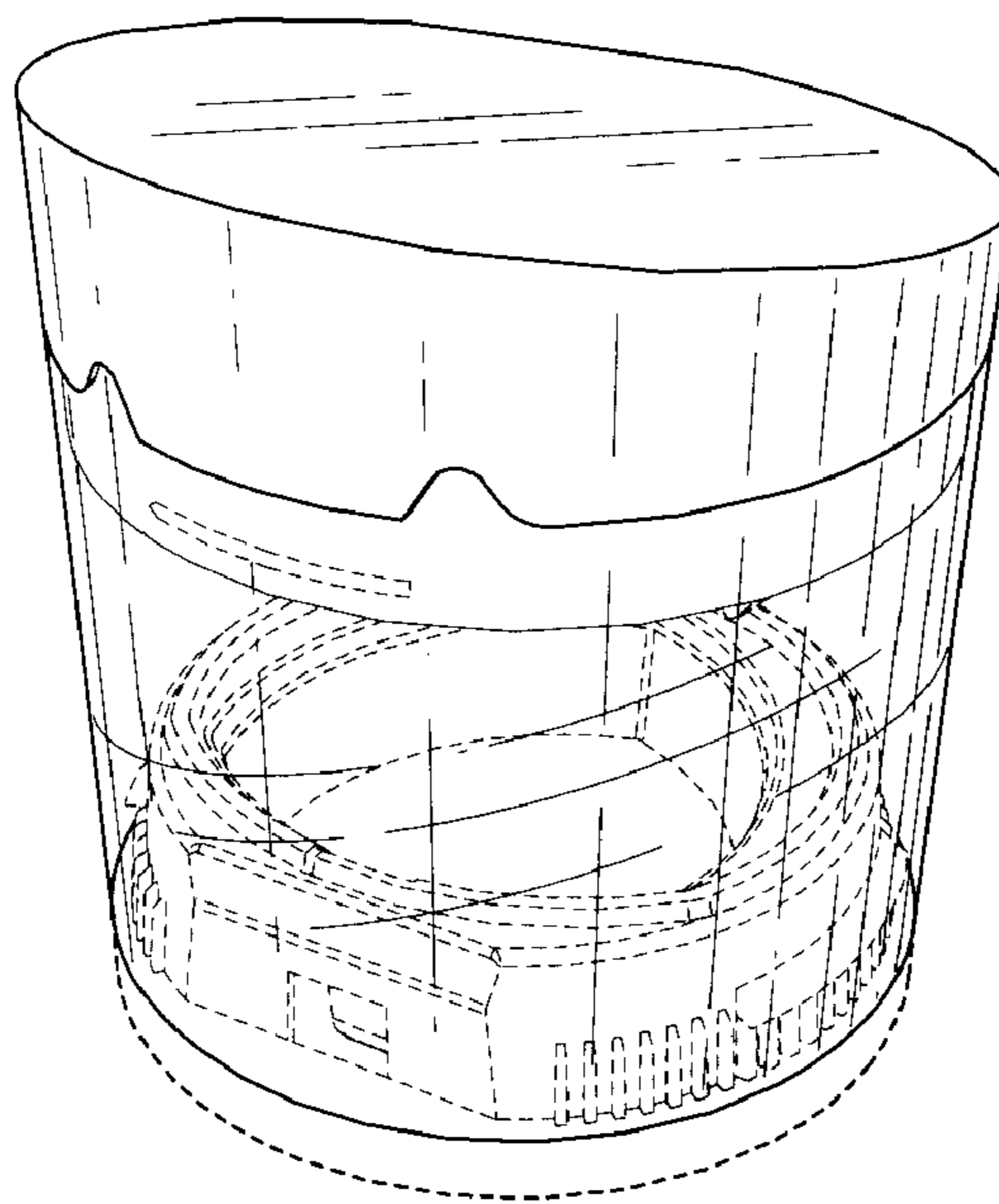
FIG. 3 is a rear view thereof;

FIG. 4 is a front view thereof; and,

FIG. 5 is a left side view thereof.

The broken line showing of product package is for illustrative purposes only and forms no part of the claimed design.

**1 Claim, 2 Drawing Sheets**



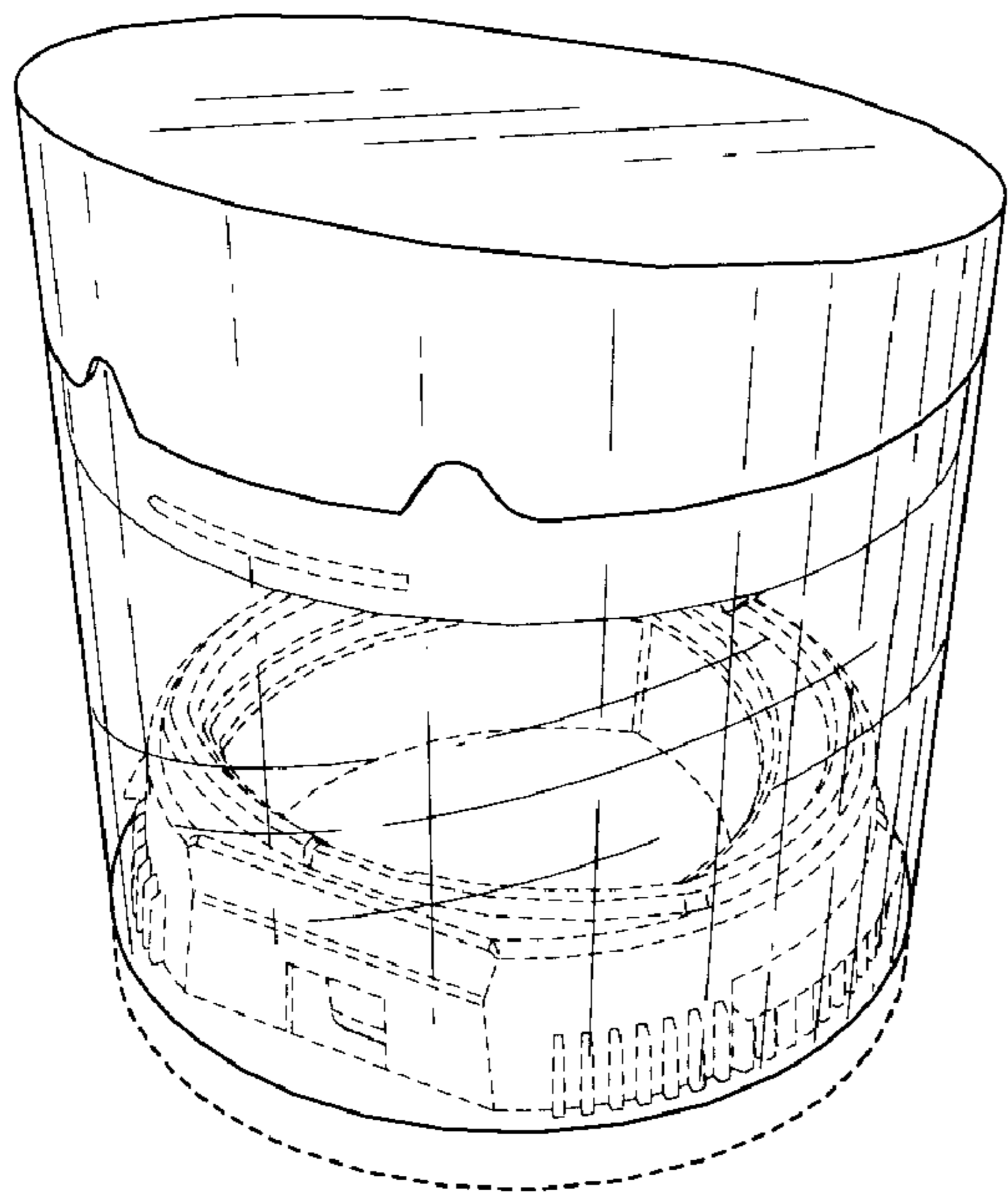


Fig. 1

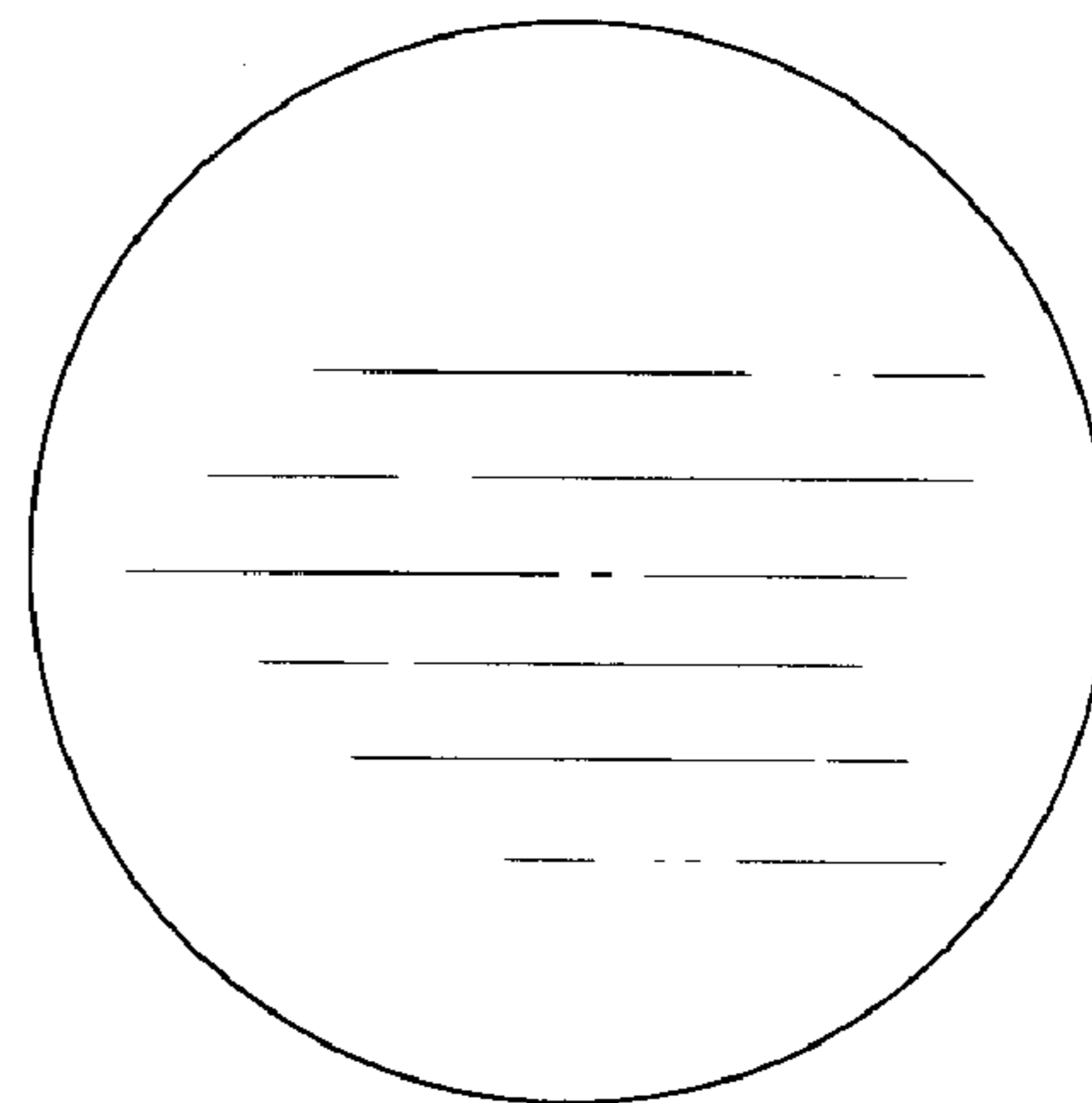


Fig. 2

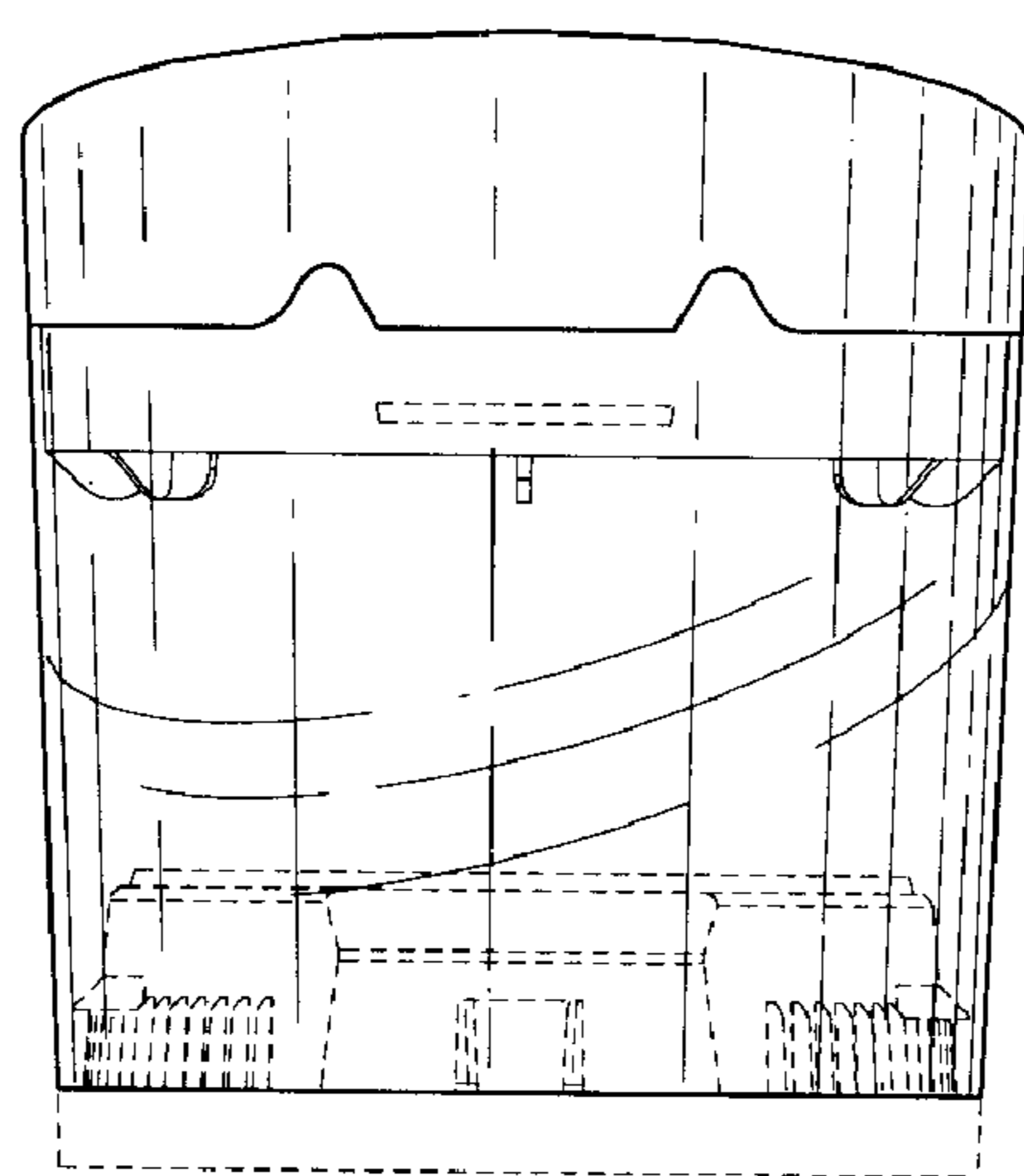


Fig. 3

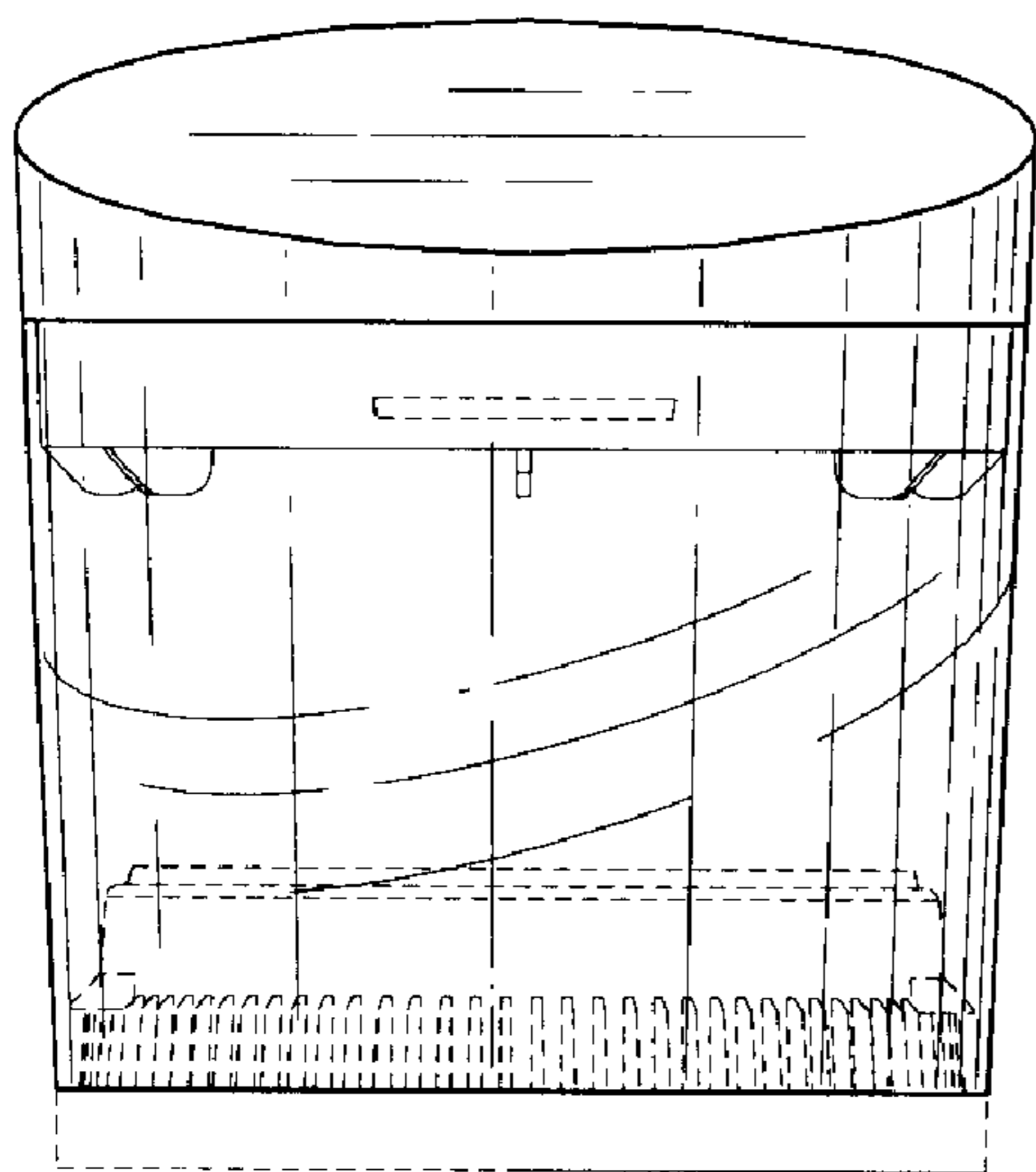


Fig. 4

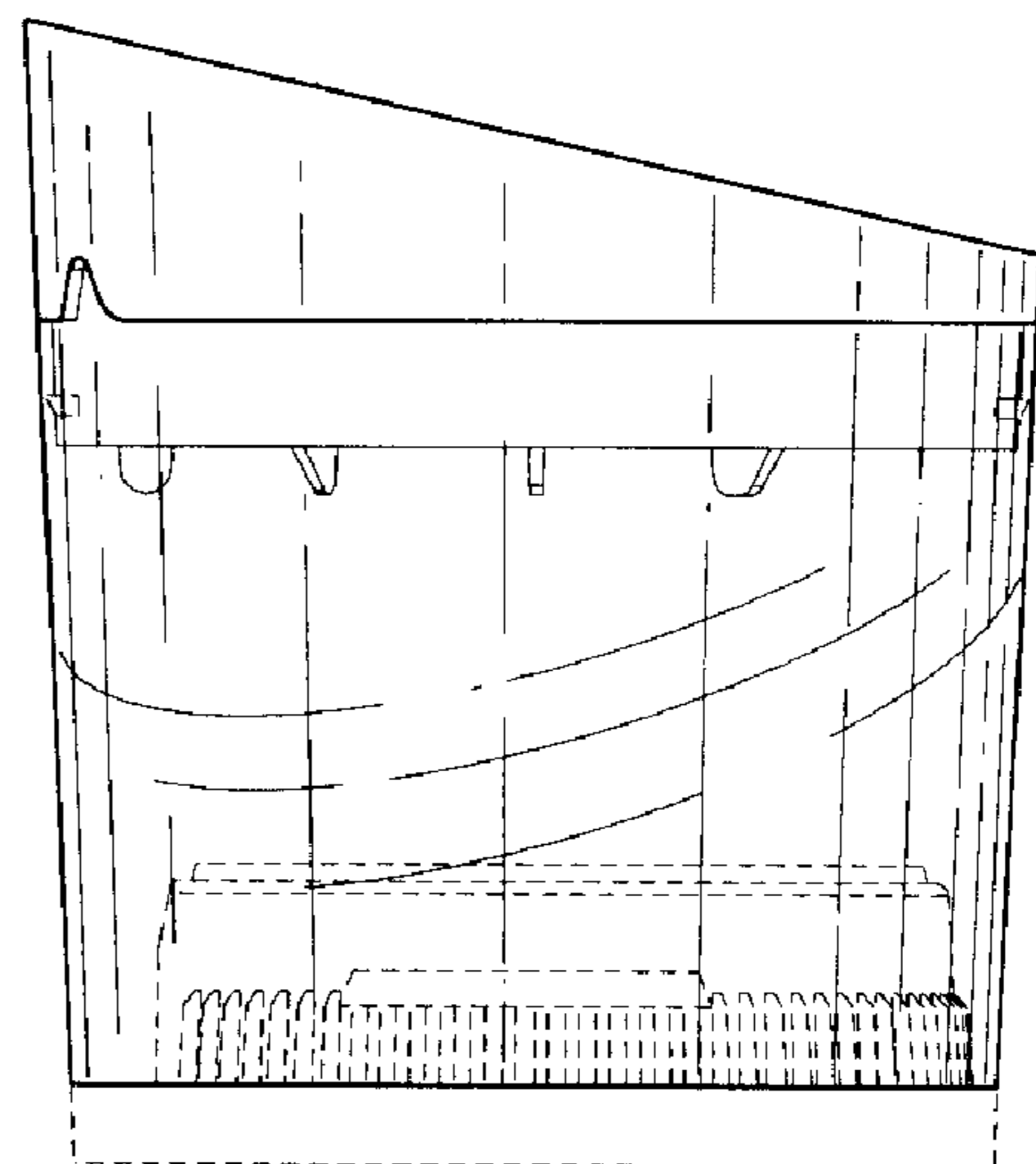


Fig. 5