



US00D551957S

(12) **United States Design Patent**
Chen et al.

(10) **Patent No.:** **US D551,957 S**

(45) **Date of Patent:** **** Oct. 2, 2007**

(54) **FLEX BOLT**

(75) Inventors: **Qiong-Ying Chen**, Shenzhen (CN);
Ding-Rong Liu, Shenzhen (CN)

(73) Assignee: **Hon Hai Precision Industry Co., Ltd.**,
Tu-Cheng, Taipei Hsien (TW)

(**) Term: **14 Years**

(21) Appl. No.: **29/255,553**

(22) Filed: **Mar. 8, 2006**

(30) **Foreign Application Priority Data**

Oct. 14, 2005 (CN) 2005 3 0072872

(51) **LOC (8) Cl.** **08-08**

(52) **U.S. Cl.** **D8/387**

(58) **Field of Classification Search** D8/387;
411/352, 353

See application file for complete search history.

(56) **References Cited**

U.S. PATENT DOCUMENTS

D140,862 S *	4/1945	Conlan	D13/161
D140,863 S *	4/1945	Conlan	D13/178
3,195,600 A *	7/1965	Middleton, Jr.	411/352
3,209,807 A *	10/1965	Ryner	411/361
3,244,212 A *	4/1966	Barry	411/361
D400,430 S *	11/1998	McDonough et al.	D8/387
D402,522 S *	12/1998	Gillman	D8/82
D417,827 S *	12/1999	Gillman	D8/14
6,079,923 A *	6/2000	Ross et al.	411/353
6,280,131 B1 *	8/2001	Ellis et al.	411/353
D469,005 S *	1/2003	Ellis et al.	D8/387
D472,797 S *	4/2003	Ellis et al.	D8/387

D480,950 S *	10/2003	Ellis et al.	D8/382
D484,031 S *	12/2003	Ellis et al.	D8/387
D489,602 S *	5/2004	Menta	D8/387
D490,297 S *	5/2004	Menta	D8/387
D492,895 S *	7/2004	Ellis et al.	D8/387
D493,362 S *	7/2004	Aukzemas et al.	D8/387
D494,458 S *	8/2004	Aukzemas et al.	D8/387
D501,396 S *	2/2005	Frattarola	D8/387
D502,644 S *	3/2005	Ellis et al.	D8/387
2001/0024607 A1 *	9/2001	Frattarola	411/107
2001/0041110 A1 *	11/2001	Ellis et al.	411/84
2002/0172574 A1 *	11/2002	McCormack et al.	411/352
2005/0129483 A1 *	6/2005	McAfee	411/353

* cited by examiner

Primary Examiner—Holly H. Baynham

Assistant Examiner—Sheryl Friedman

(74) *Attorney, Agent, or Firm*—Wei Te Chung

(57) **CLAIM**

The ornamental design for a flex bolt, as shown and described.

DESCRIPTION

FIG. 1 is a perspective view of a flex bolt showing our new design;

FIG. 2 is a front elevational view thereof;

FIG. 3 is a rear elevational view thereof;

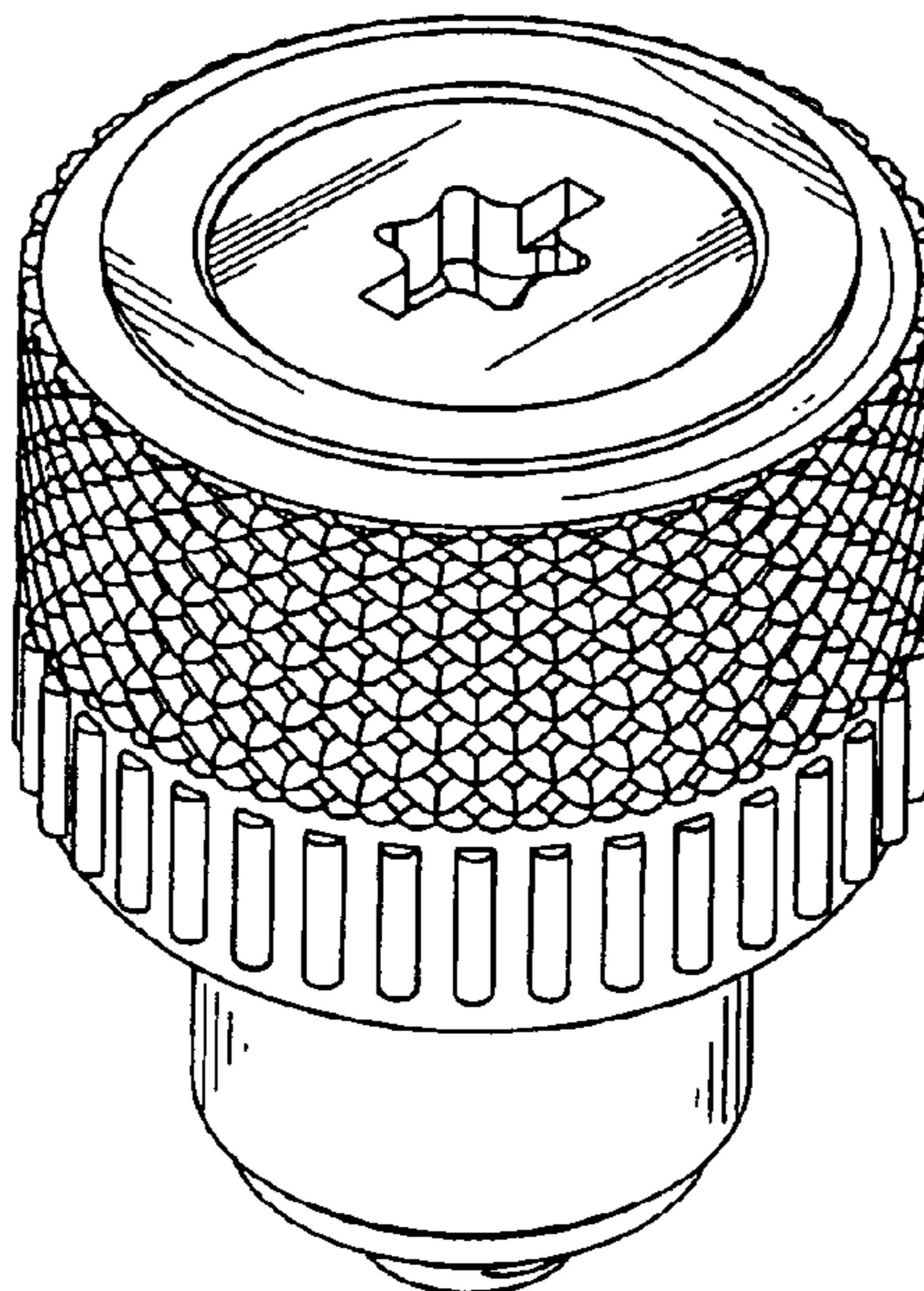
FIG. 4 is a left side elevational view thereof;

FIG. 5 is a right side elevational view thereof;

FIG. 6 is a top plan view thereof; and,

FIG. 7 is a bottom plan view thereof.

1 Claim, 4 Drawing Sheets



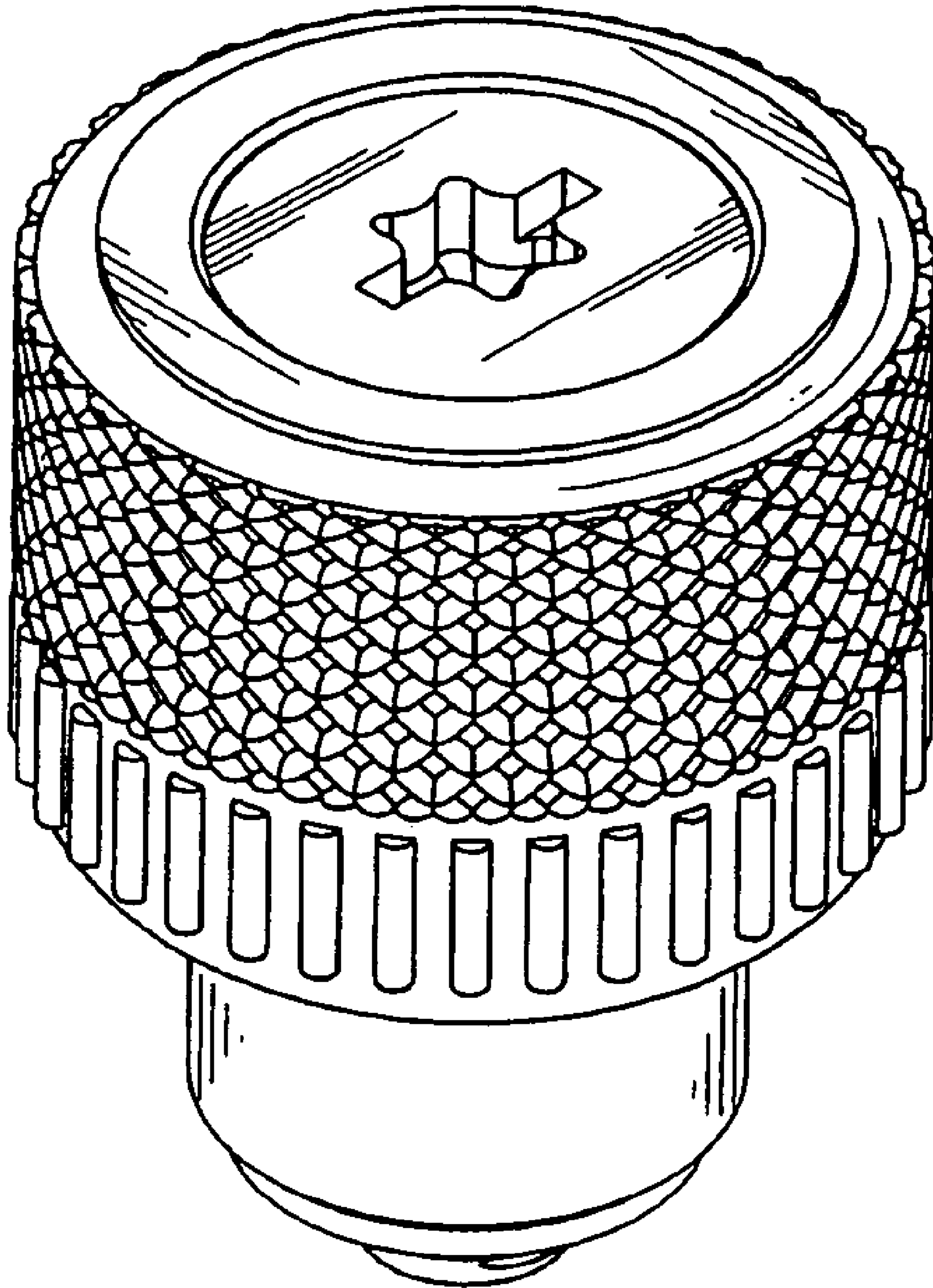


FIG. 1

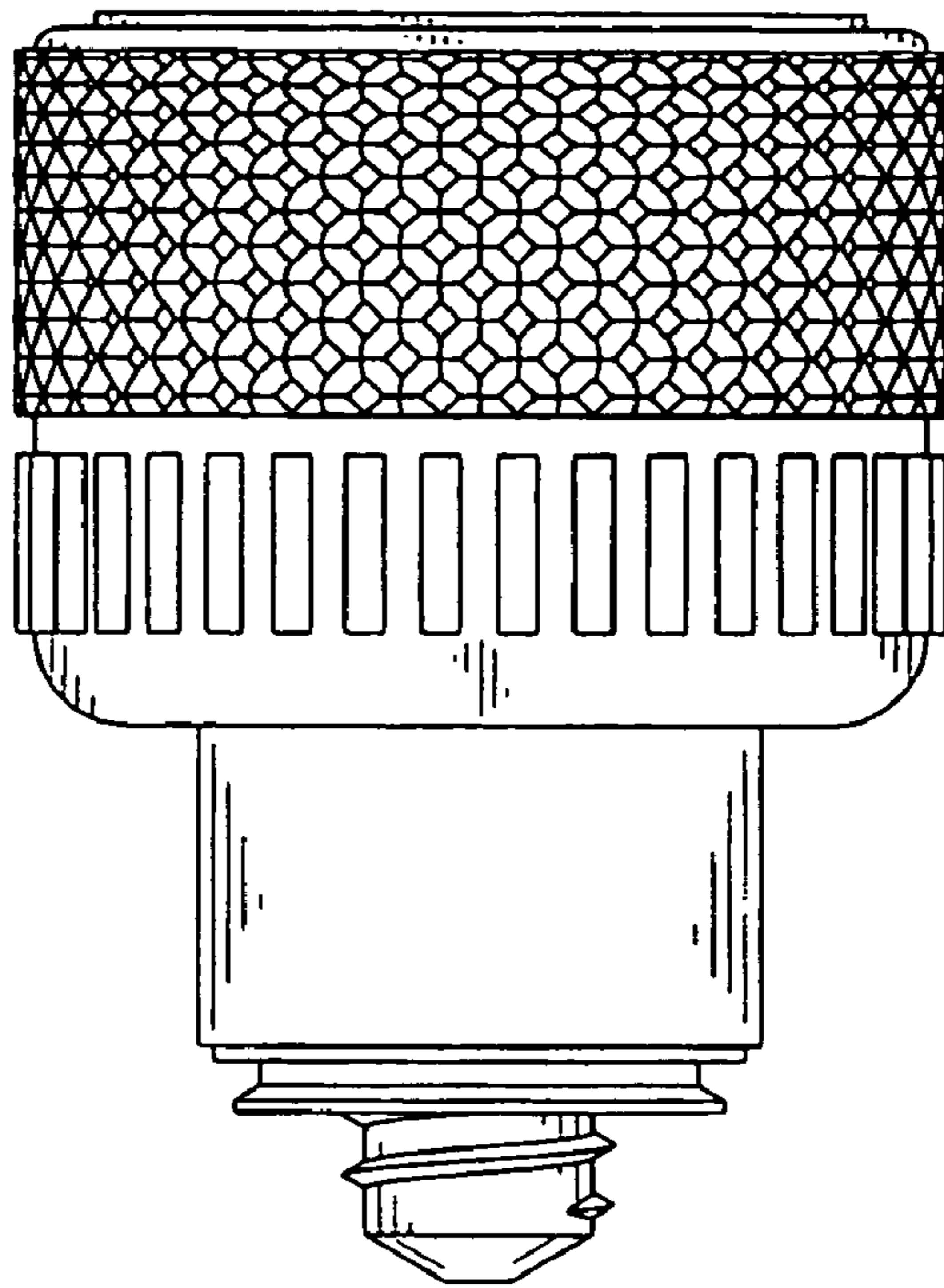


FIG. 2

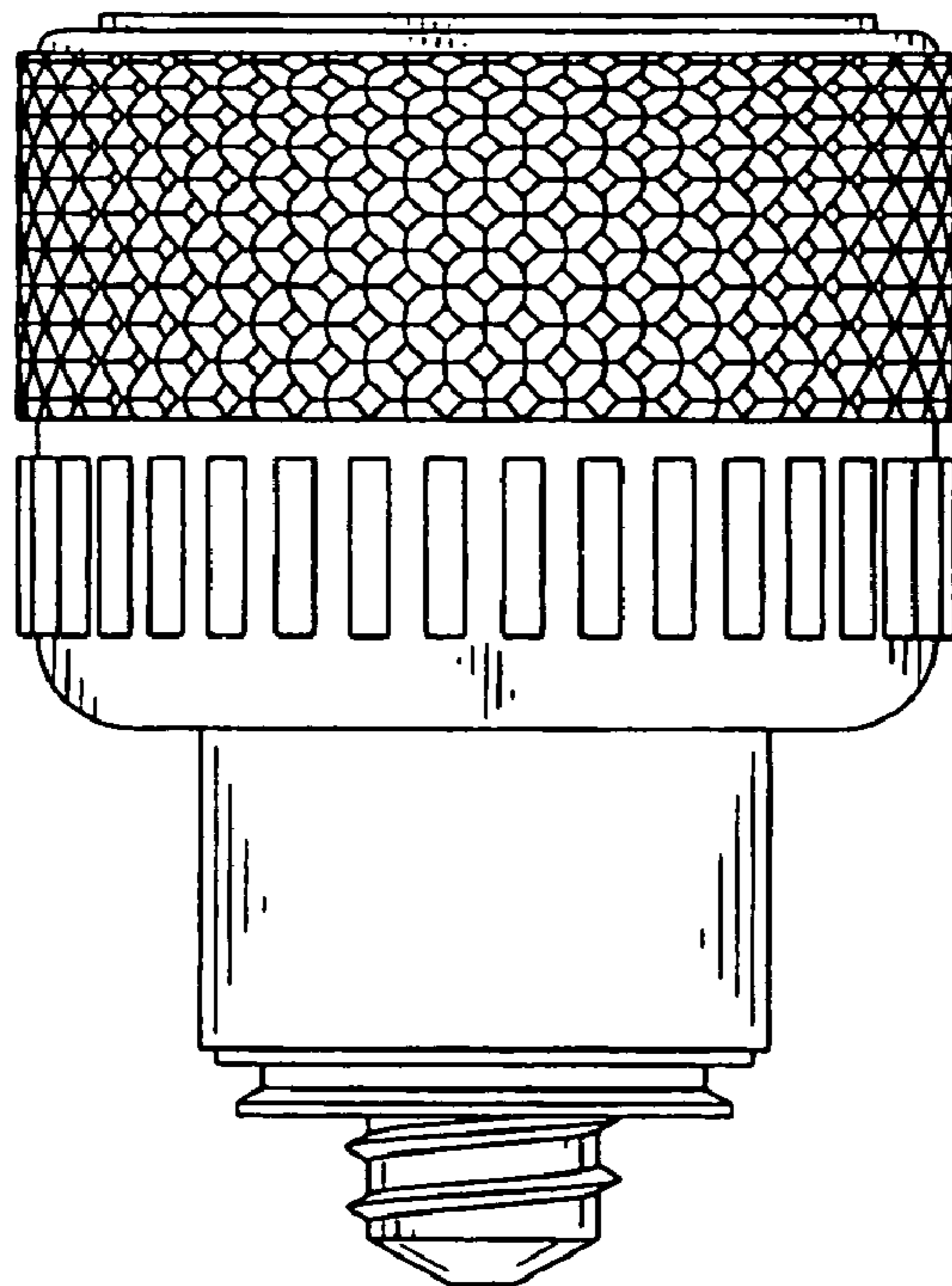


FIG. 3

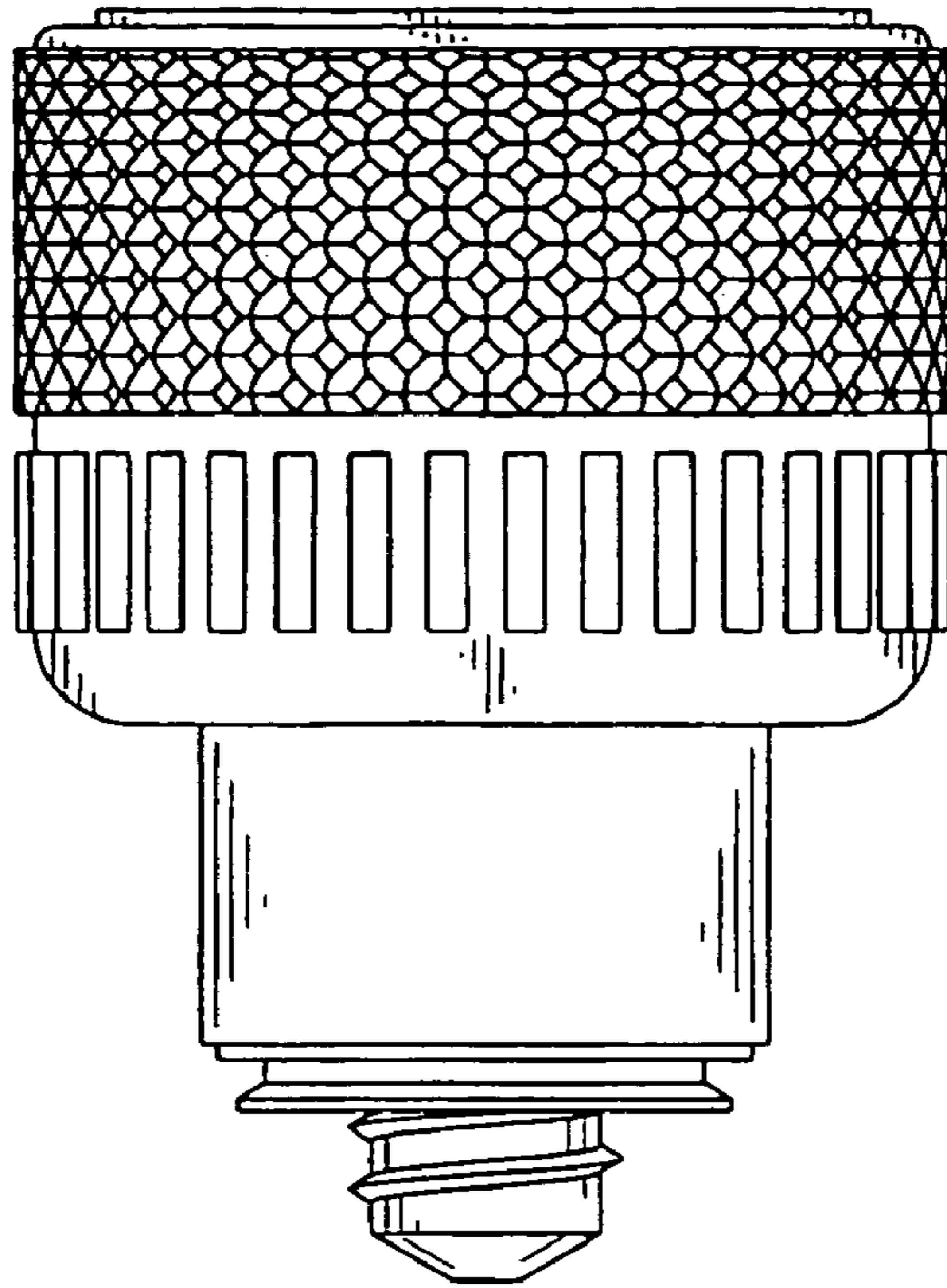


FIG. 4

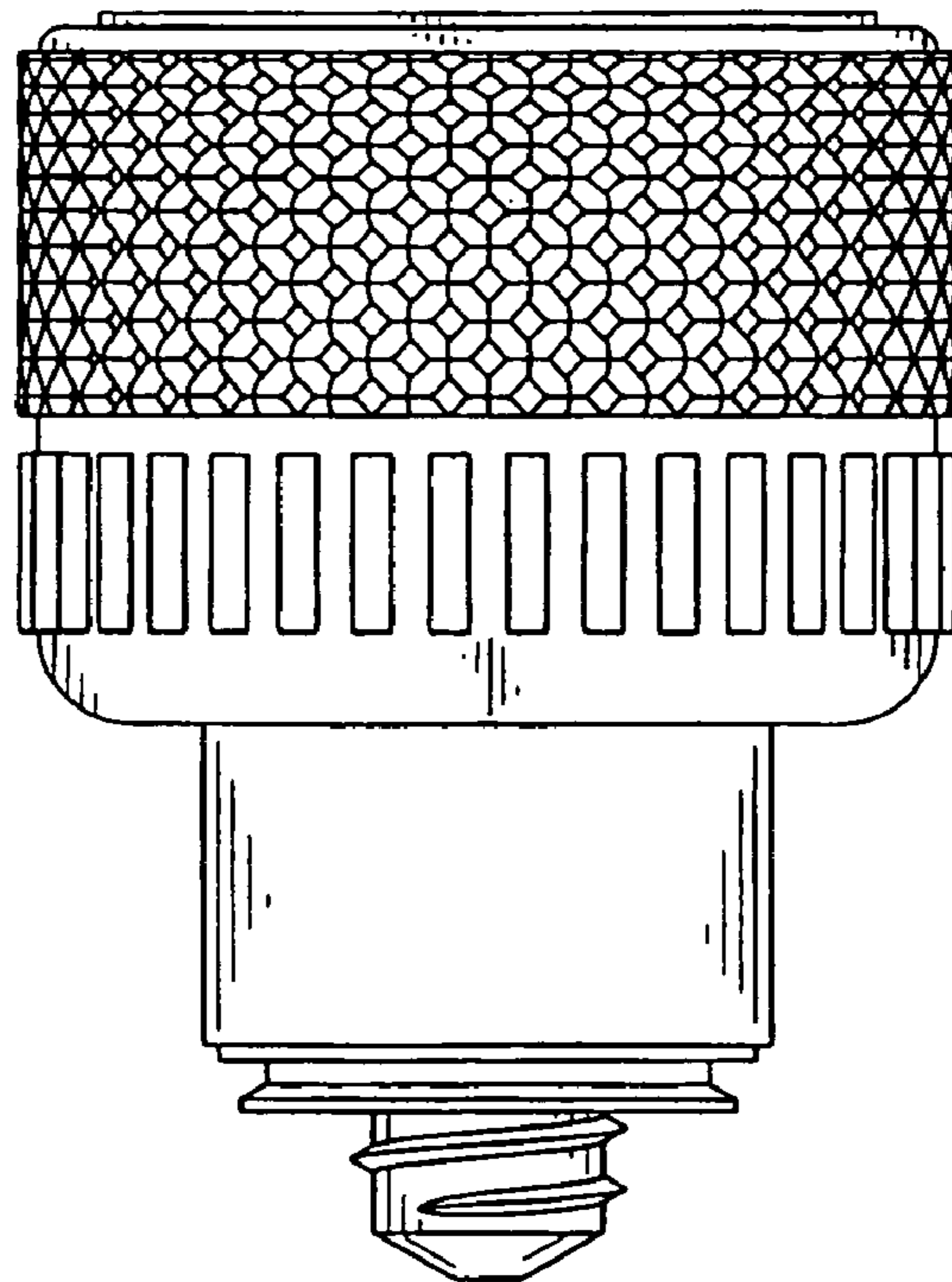


FIG. 5

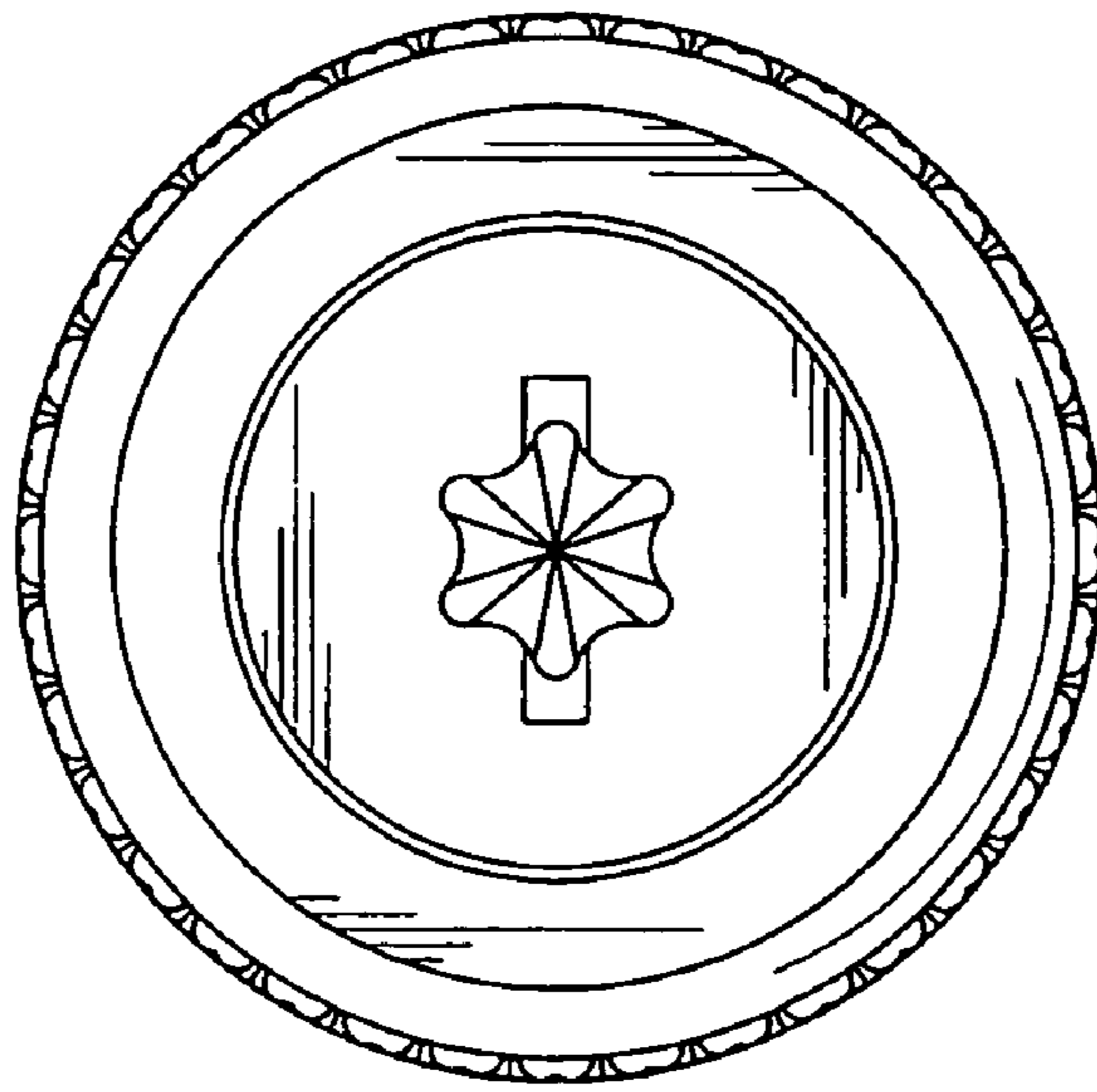


FIG. 6

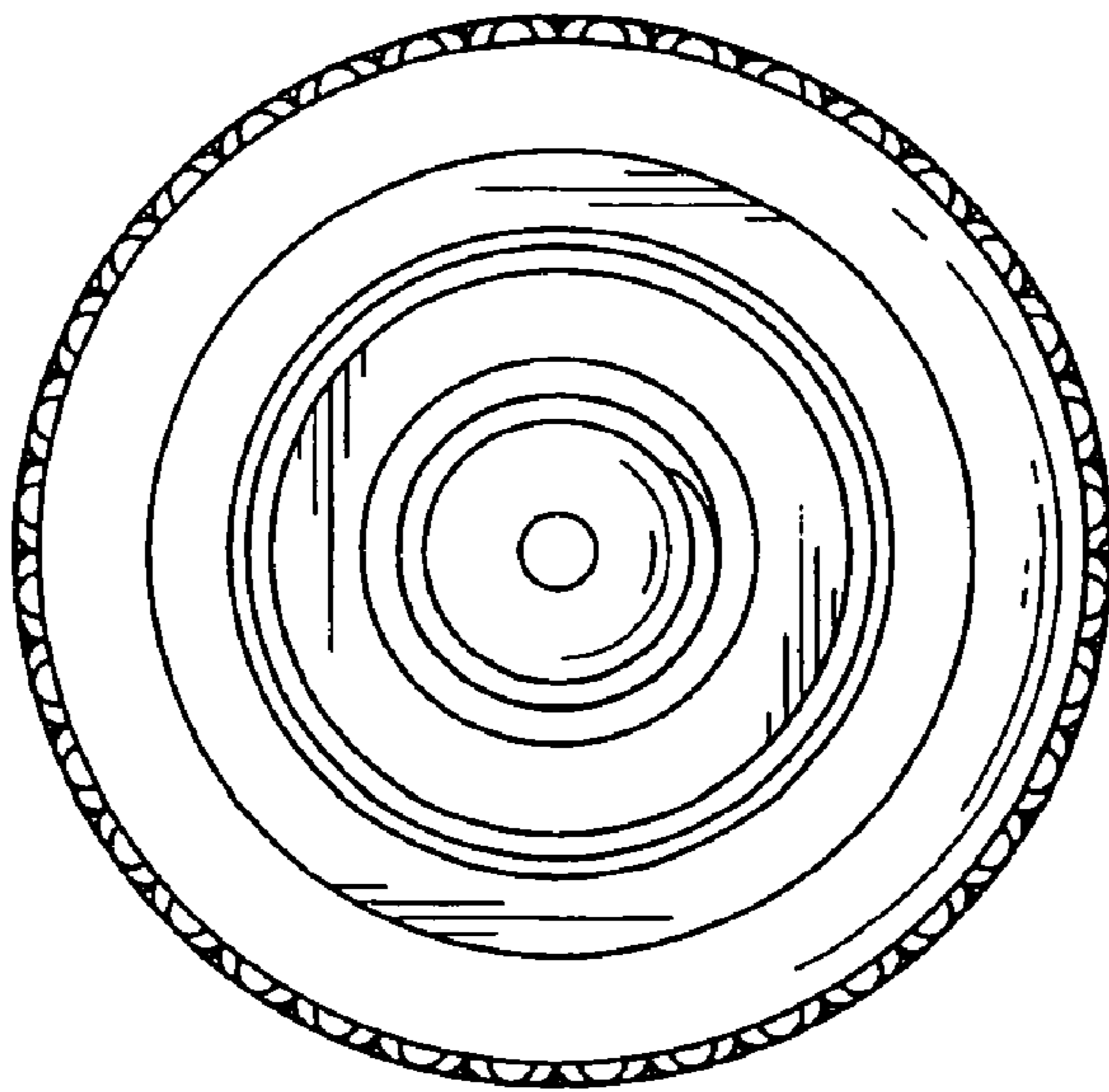


FIG. 7