



US00D551954S

(12) **United States Design Patent**
Tan

(10) **Patent No.:** **US D551,954 S**

(45) **Date of Patent:** **** Oct. 2, 2007**

(54) **CAPTIVE SCREW**

D494,458 S * 8/2004 Aukzemas et al. D8/387
D501,396 S * 2/2005 Frattarola D8/387
D502,644 S * 3/2005 Ellis et al. D8/387

(75) Inventor: **Thomas Tan**, Singapore (SG)

(73) Assignee: **T R Formac Pte Ltd.**, Singapore (SG)

* cited by examiner

(**) Term: **14 Years**

Primary Examiner—Holly H. Baynham

Assistant Examiner—Sheryl Friedman

(21) Appl. No.: **29/245,971**

(74) *Attorney, Agent, or Firm*—Abelman, Frayne & Schwab

(22) Filed: **Dec. 29, 2005**

(57) **CLAIM**

(30) **Foreign Application Priority Data**

The ornamental design for a captive screw, as shown and described.

Jul. 11, 2005 (EM) 000373576

(51) **LOC (8) Cl.** **08-08**

(52) **U.S. Cl.** **D8/387**

(58) **Field of Classification Search** D8/387-388;

411/378, 403, 366.1, 387.1, 393, 402

See application file for complete search history.

DESCRIPTION

FIG. 1 is a side view of a captive screw showing our new design;

FIG. 2 is a top plan view thereof;

FIG. 3 is a bottom plan view thereof;

FIG. 4 is a perspective view thereof;

FIG. 5 is a sectional view following the line 5—5 of FIG. 3; and,

FIG. 6 is a side view thereof in an alternative position.

The broken line showing portions of the captive screw in FIGS. 2 and 4 are for illustrative purposes only and do not form part of the claimed design.

(56) **References Cited**

U.S. PATENT DOCUMENTS

D400,430 S * 11/1998 McDonough et al. D8/387
D469,005 S * 1/2003 Ellis et al. D8/387
D472,797 S * 4/2003 Ellis et al. D8/387
D480,950 S * 10/2003 Ellis et al. D8/382
D484,031 S * 12/2003 Ellis et al. D8/387
D490,297 S * 5/2004 Menta D8/387
D492,895 S * 7/2004 Ellis et al. D8/387
D493,362 S * 7/2004 Aukzemas et al. D8/387

1 Claim, 2 Drawing Sheets

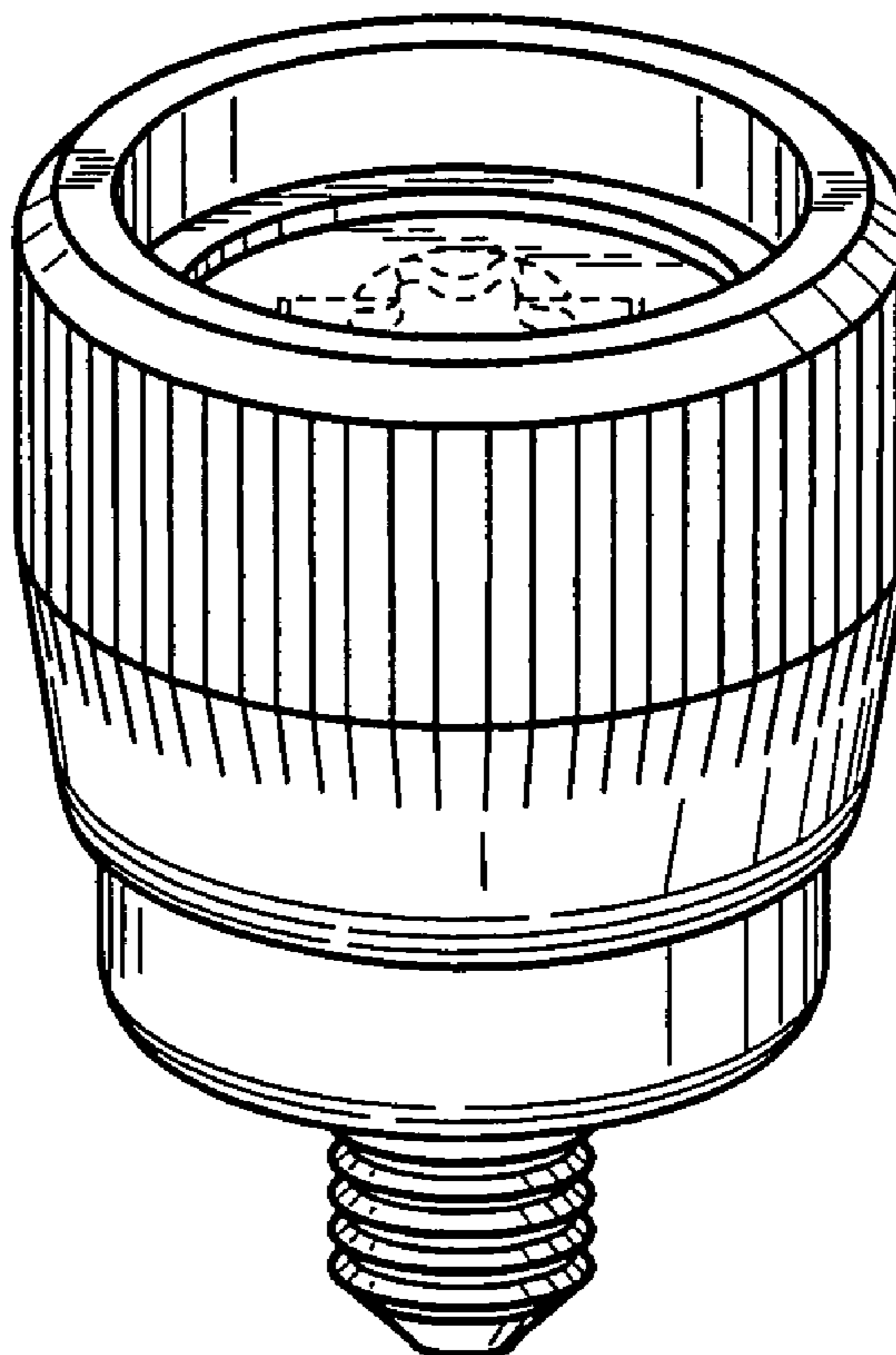


FIG. 1

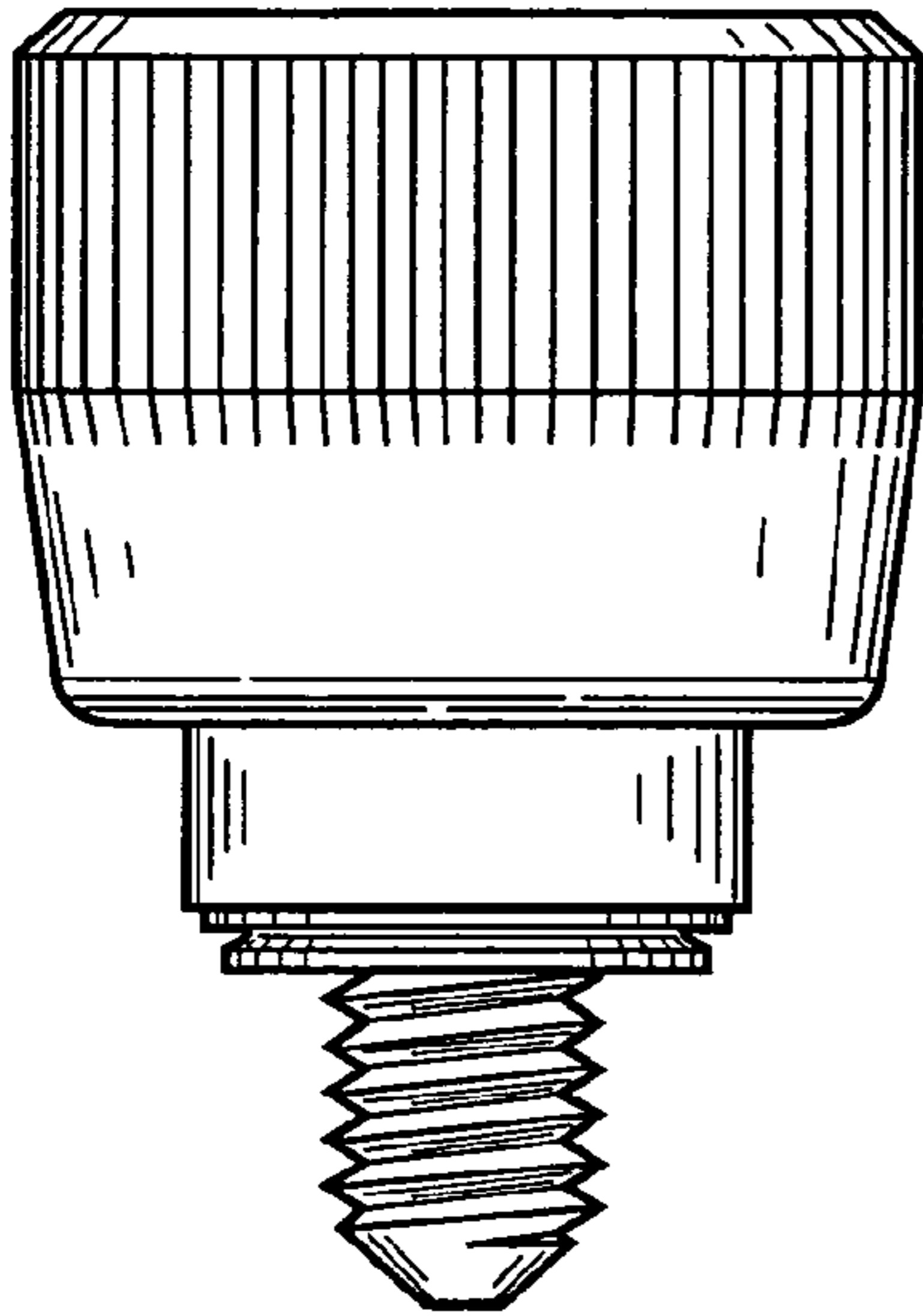


FIG. 2

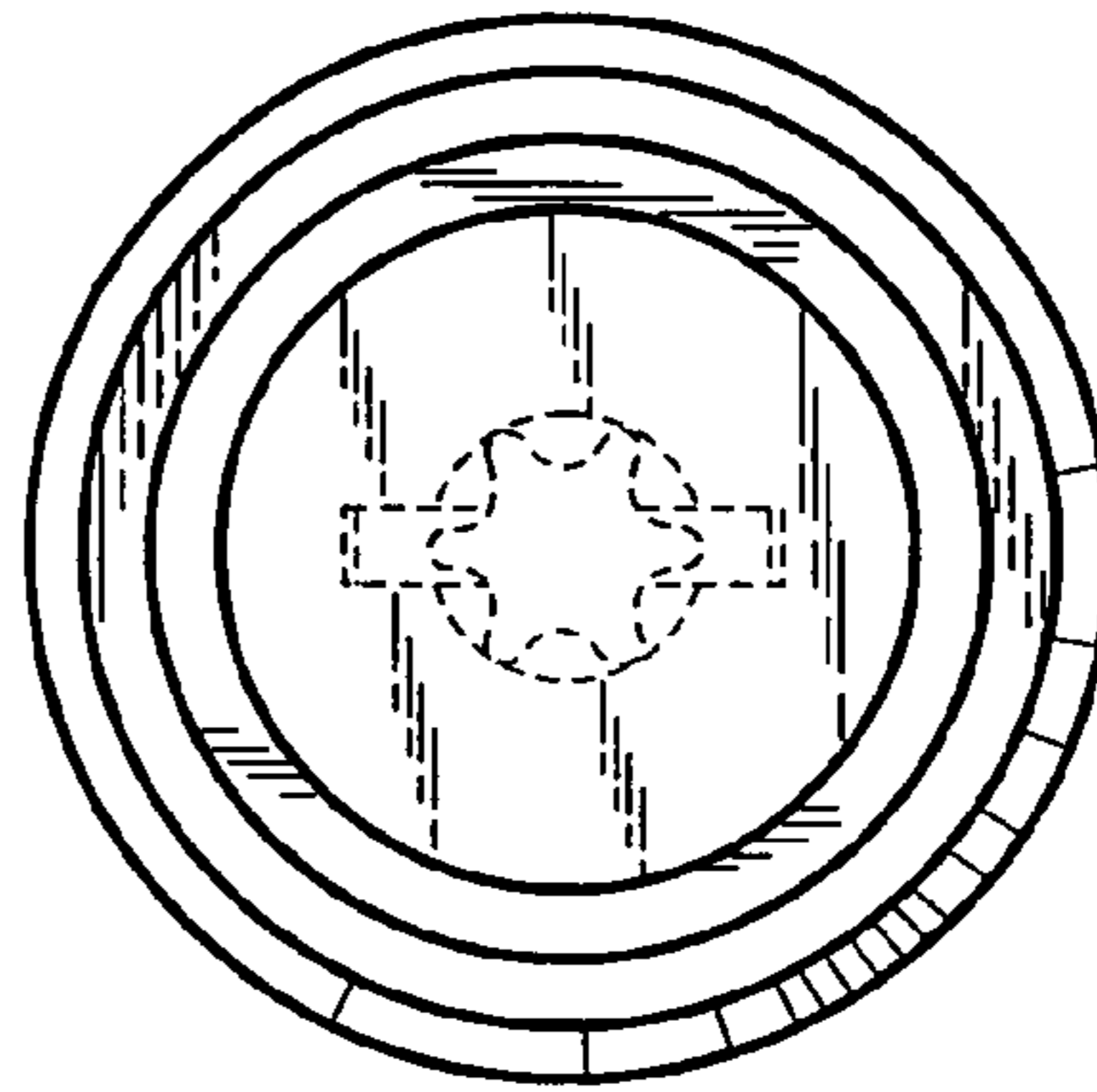


FIG. 3

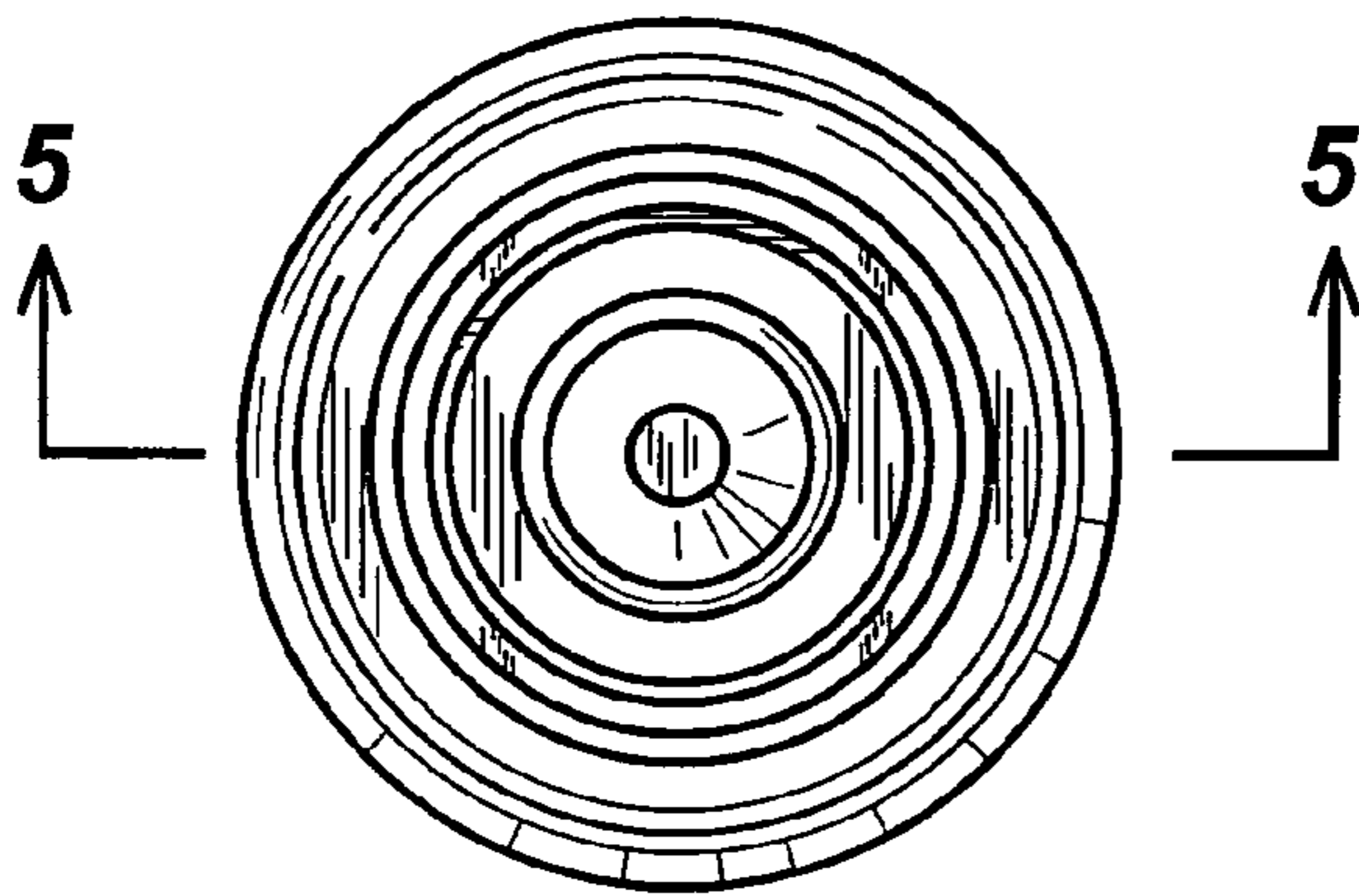


FIG. 4

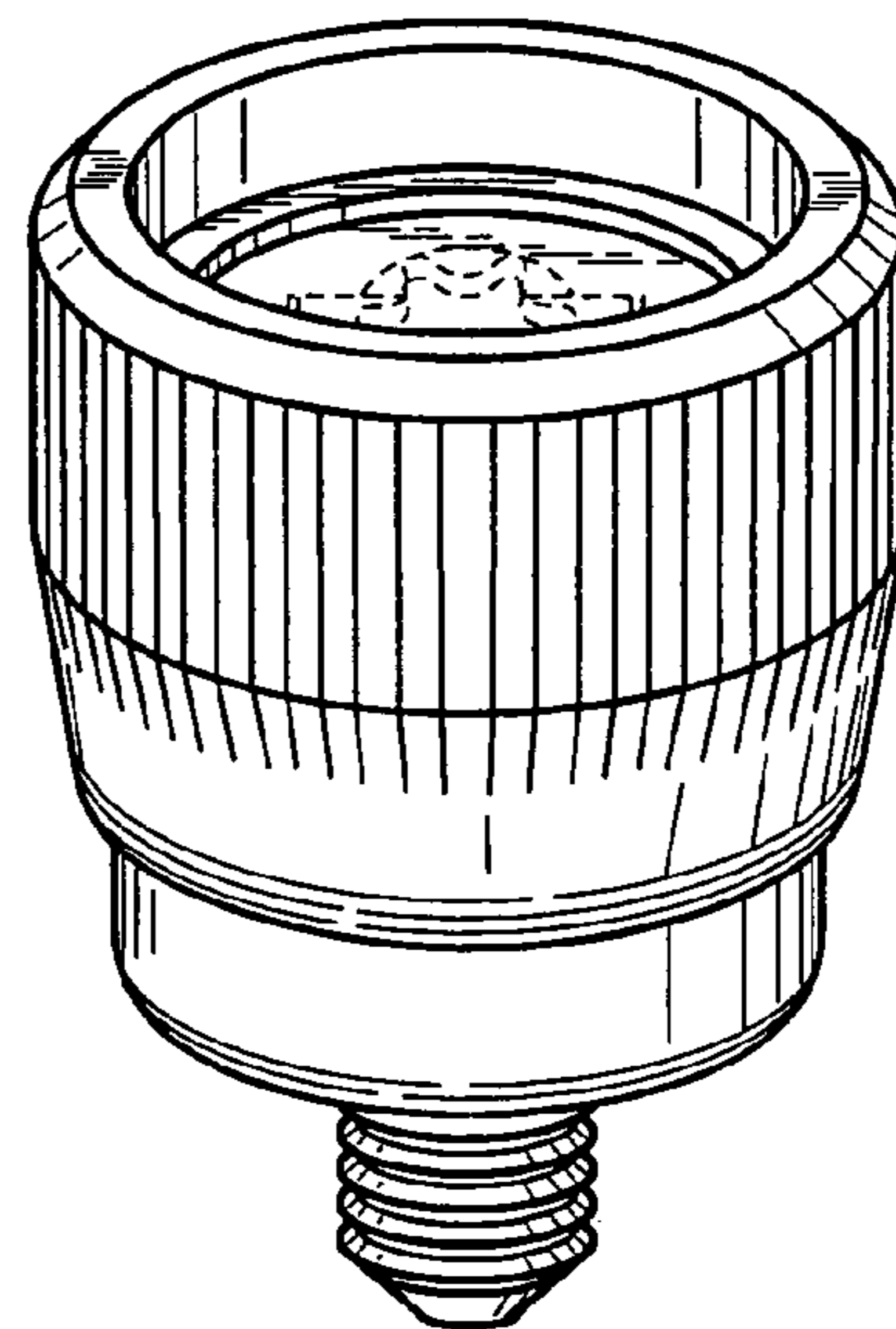


FIG. 5

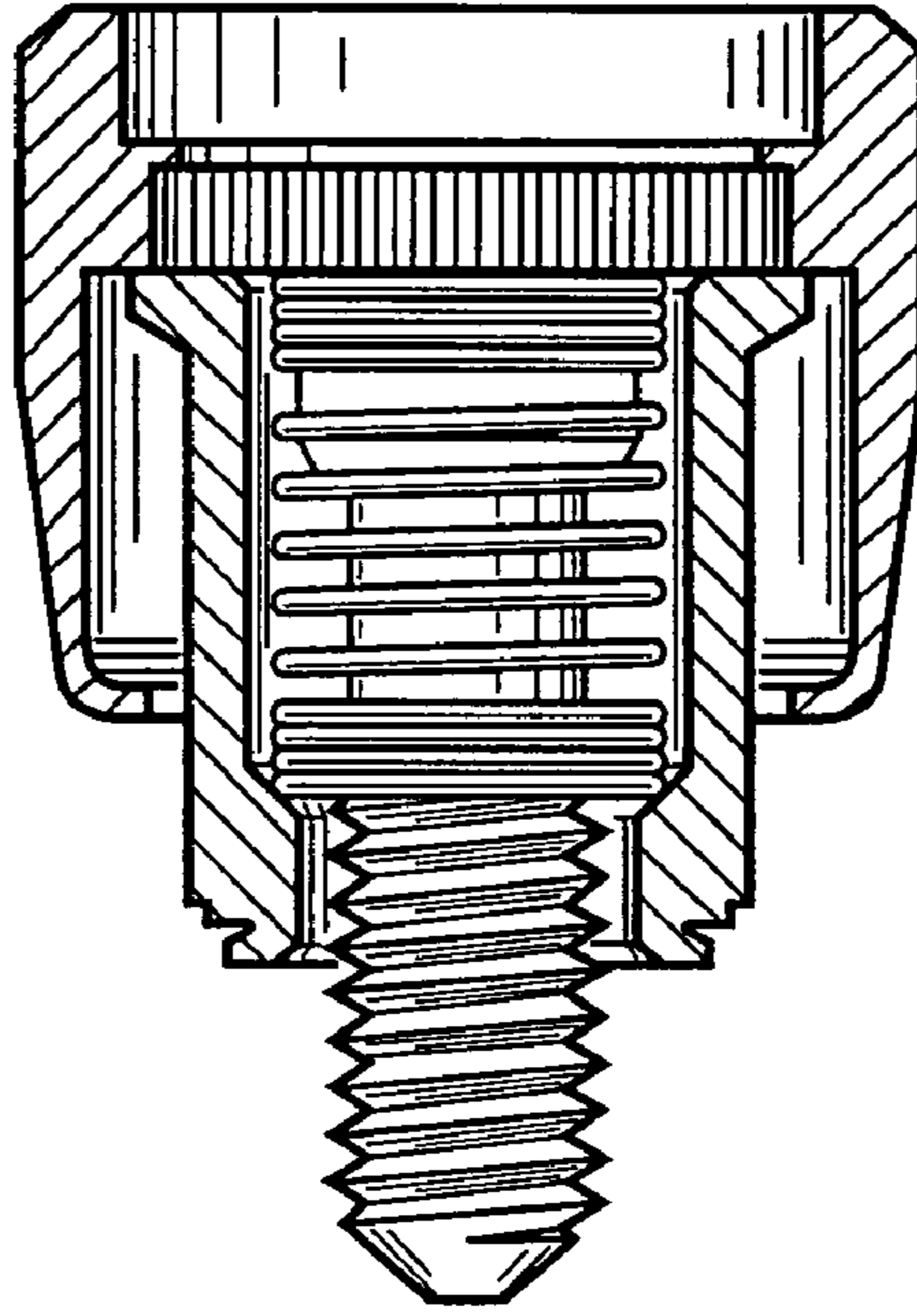


FIG. 6

