



US00D551953S

(12) **United States Design Patent**
Smalley

(10) **Patent No.:** **US D551,953 S**

(45) **Date of Patent:** **** Oct. 2, 2007**

(54) **SHELF EXTENDER**

(76) Inventor: **Daniel J. Smalley**, 1 Hatch St.,
Cumberland, RI (US) 02864

(**) Term: **14 Years**

(21) Appl. No.: **29/243,103**

(22) Filed: **Nov. 21, 2005**

(51) **LOC (8) Cl.** **08-05**

(52) **U.S. Cl.** **D8/381**

(58) **Field of Classification Search** D8/381,
D8/380, 373, 349; D6/574, 572, 556, 449,
D6/511; 248/300, 298.1, 250, 247, 243,
248/236, 235, 222.21-61, 214, 208, 301,
248/297.21; 108/152, 108; 312/408, 404;
40/642.02, 661.03; 229/120.07-34

See application file for complete search history.

(56) **References Cited**

U.S. PATENT DOCUMENTS

5,944,293 A * 8/1999 Loy 248/222.51

5,992,072 A * 11/1999 Garfinkle 40/642.02
2002/0145095 A1 * 10/2002 Winkler 248/300

* cited by examiner

Primary Examiner—Robert M. Spear

Assistant Examiner—Susan Bennett Hattan

(74) *Attorney, Agent, or Firm*—Robert J Doherty

(57) **CLAIM**

The ornamental design for a shelf extender, as shown.

DESCRIPTION

FIG. 1 is a side perspective view of a shelf extender showing my new design;

FIG. 2 is a right side elevational view thereof, the left side elevational view being the mirror image thereof;

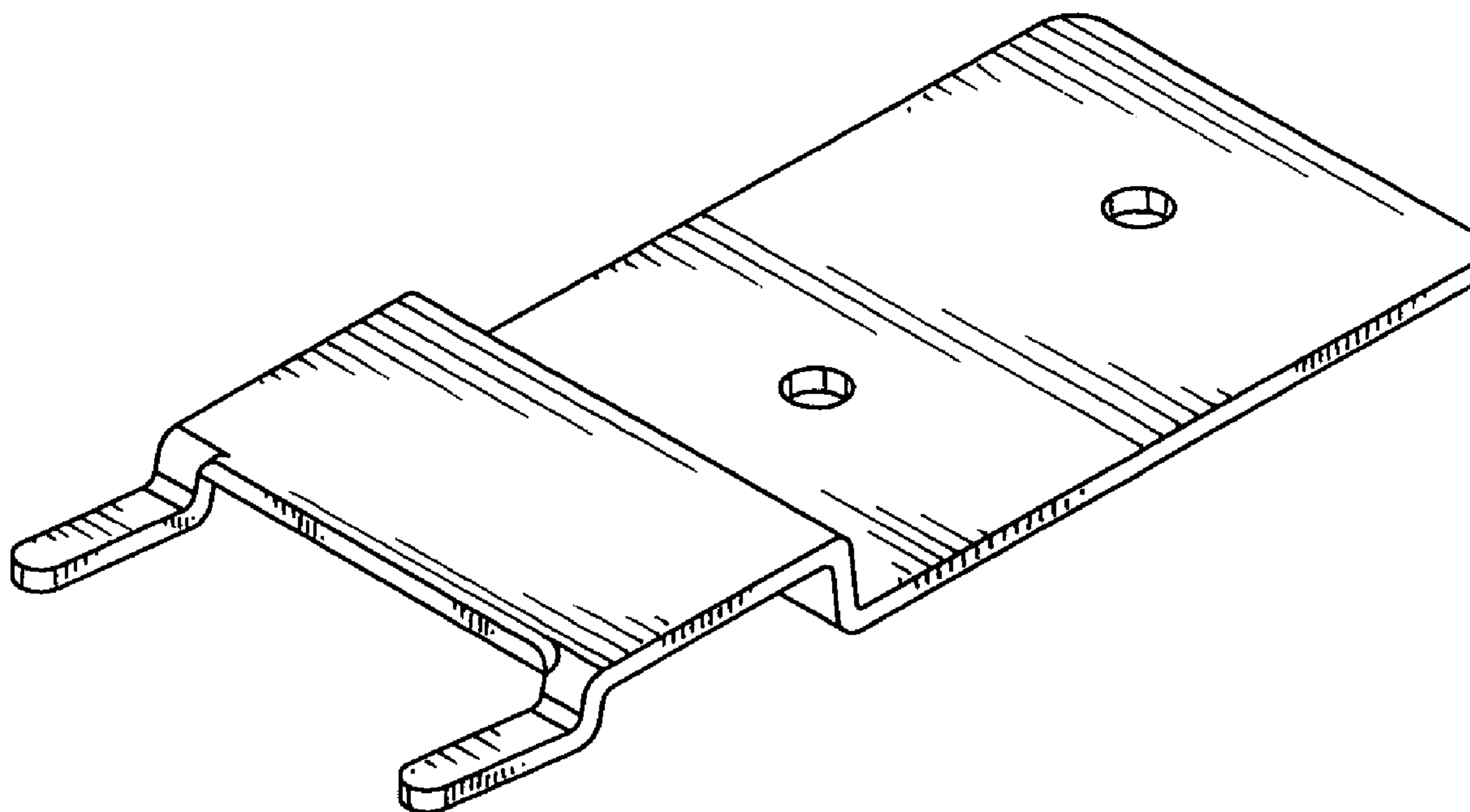
FIG. 3 is a bottom plan view thereof;

FIG. 4 is a top plan view thereof;

FIG. 5 is a rear elevational view thereof; and,

FIG. 6 is a front elevational view thereof.

1 Claim, 2 Drawing Sheets



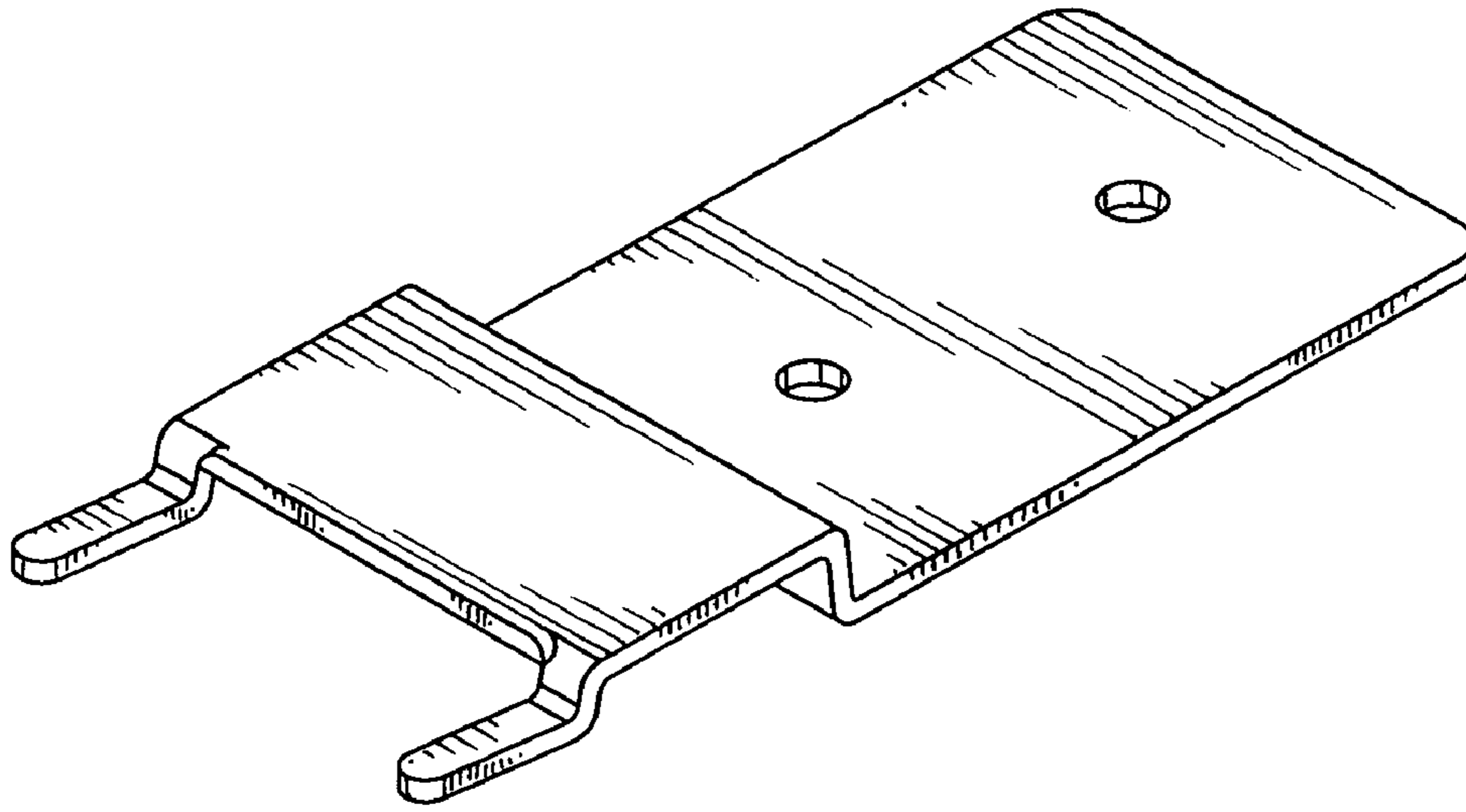


FIG. 1



FIG. 2

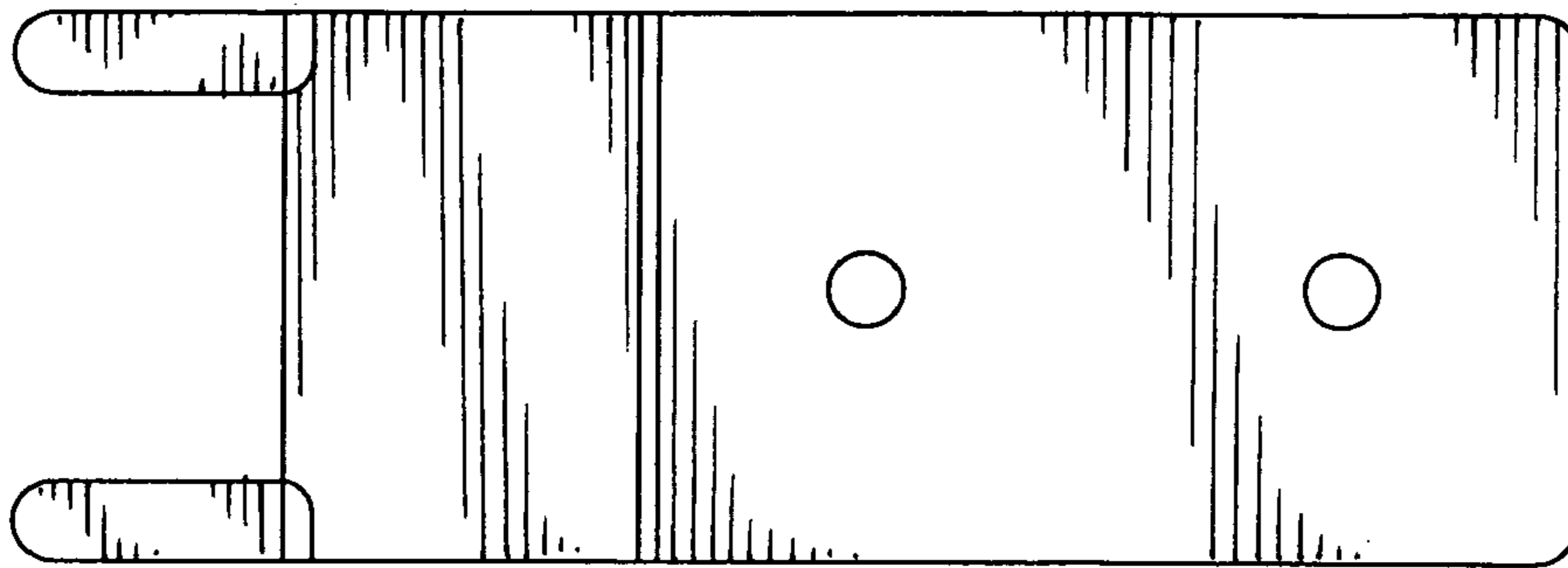


FIG. 3

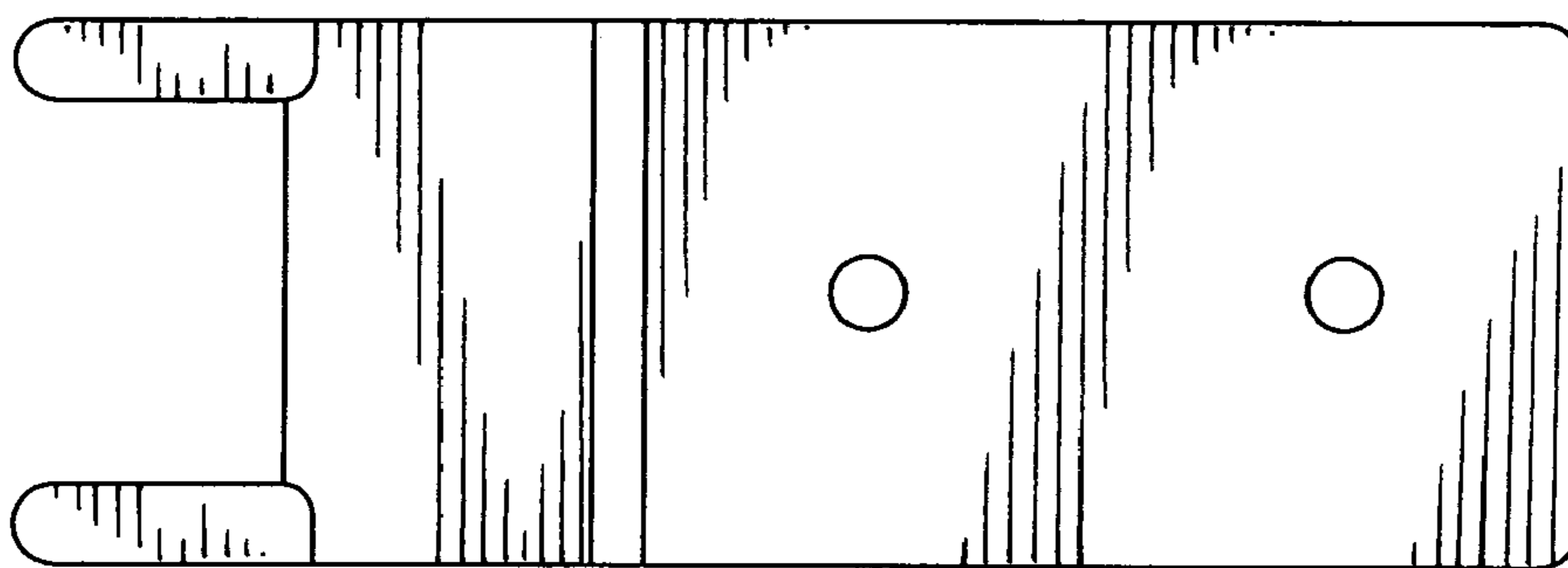


FIG. 4

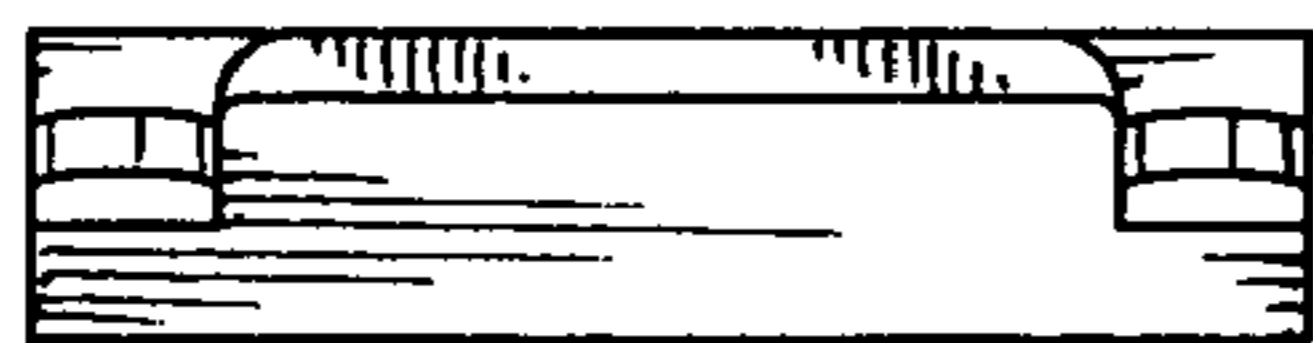


FIG. 5

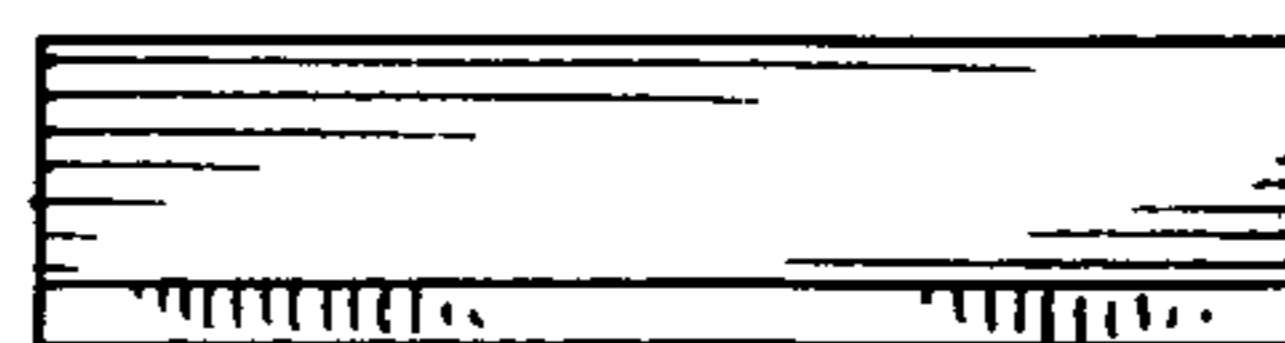


FIG. 6