



US00D551952S

(12) **United States Design Patent** (10) **Patent No.:** **US D551,952 S**
Palmer (45) **Date of Patent:** **** Oct. 2, 2007**

(54) **BRACKET HANGER**

Primary Examiner—Holly H. Baynham
(74) *Attorney, Agent, or Firm*—Lawrence R. Burns

(76) **Inventor:** **Ronald Wayne Palmer**, 624 Pacek Rd.,
Greensburg, PA (US) 15601

(57) **CLAIM**

(**) **Term:** **14 Years**

I claim the ornamental design for bracket hanger, as shown.

(21) **Appl. No.:** **29/241,003**

(22) **Filed:** **Nov. 22, 2005**

DESCRIPTION

(51) **LOC (8) Cl.** **08-05**

FIG. 1 is a perspective view of the bracket hanger according to the present invention.

(52) **U.S. Cl.** **D8/373; D8/354**

FIG. 2 is a front view of the bracket hanger according to the present invention.

(58) **Field of Classification Search** D8/354,
D8/373; 248/200, 300

FIG. 3 is a rear view of the bracket hanger according to the present invention.

See application file for complete search history.

FIG. 4 is a top plan view of the bracket hanger according to present invention.

(56) **References Cited**

U.S. PATENT DOCUMENTS

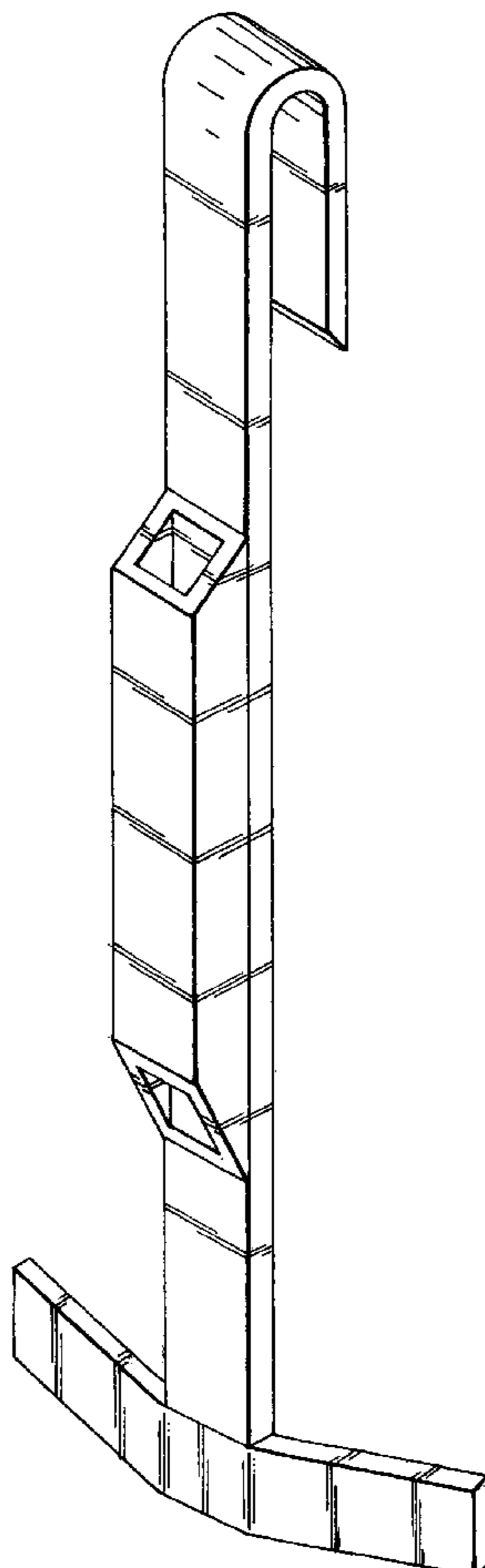
D274,037 S *	5/1984	Crim et al.	D8/373
D334,533 S *	4/1993	Brunner	D8/373
D422,885 S *	4/2000	Marino et al.	D8/354
D430,789 S *	9/2000	Opperman	D8/363
D468,998 S *	1/2003	Zadak	D8/373
D469,342 S *	1/2003	Metzentine	D8/373

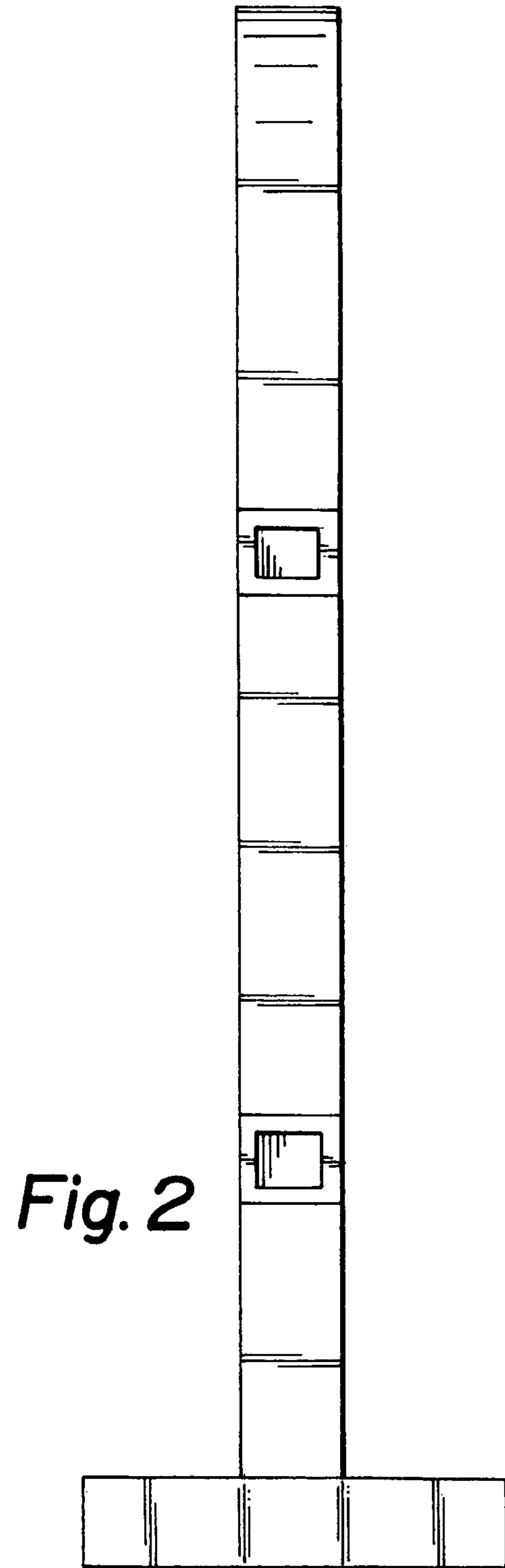
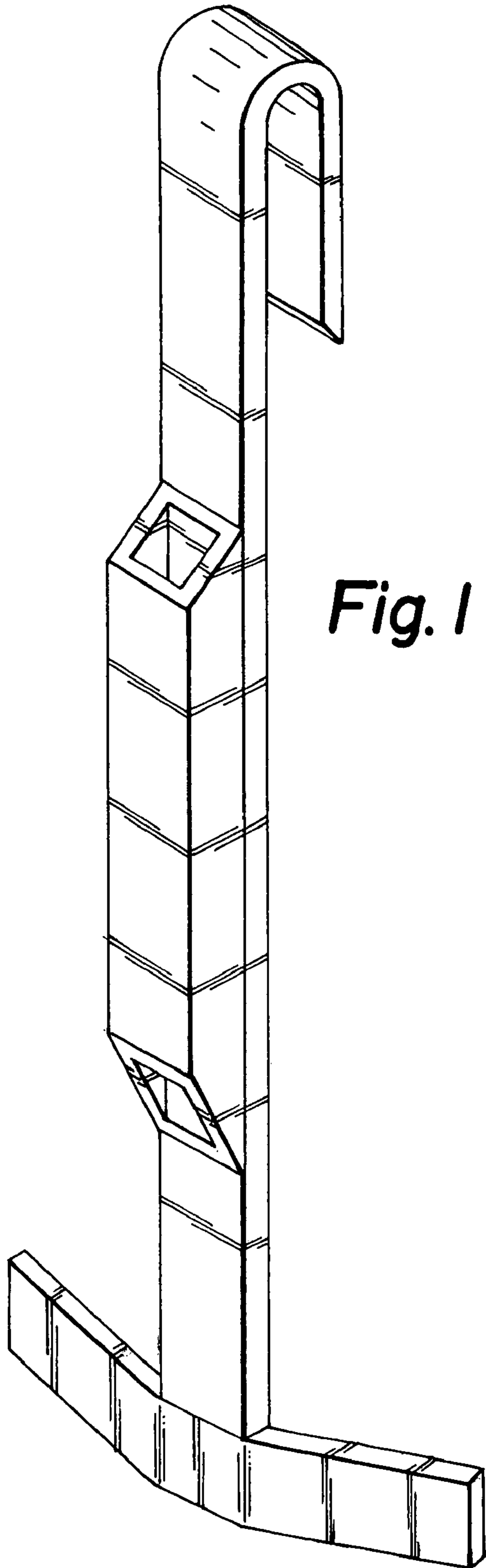
FIG. 5 is a bottom plan view of the bracket hanger according to the present invention; and,

FIG. 6 is a side view of the bracket hanger according to the present invention.

* cited by examiner

1 Claim, 2 Drawing Sheets





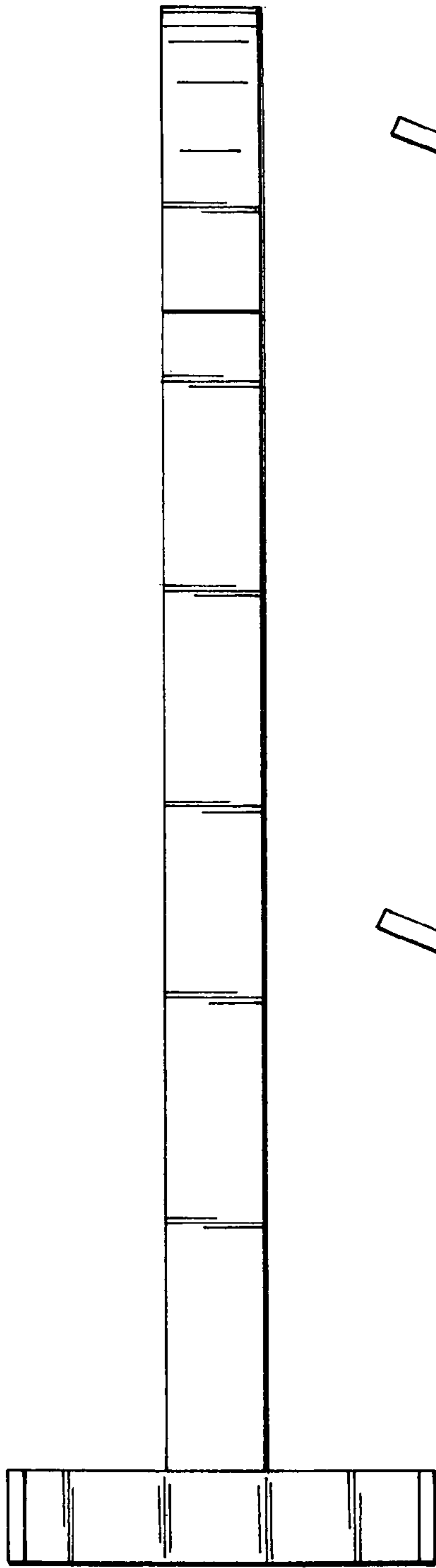


Fig. 3

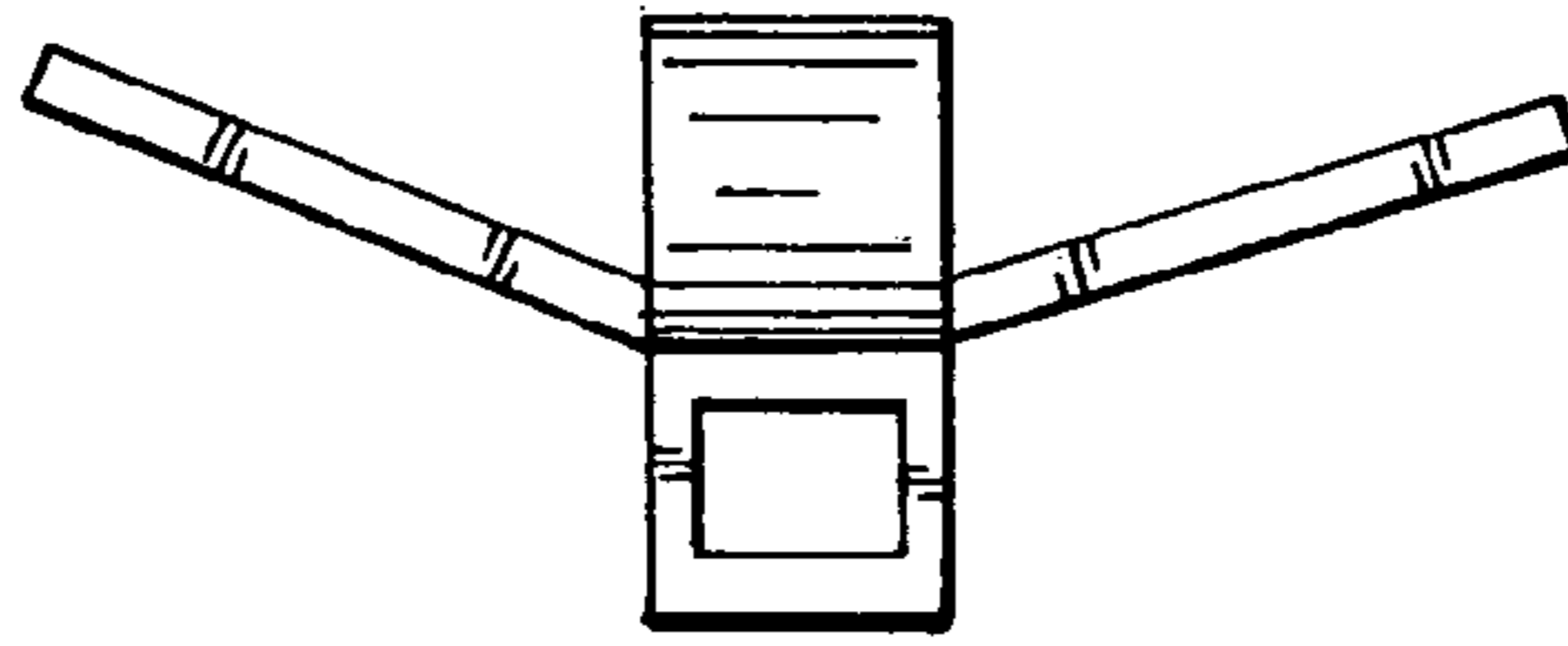


Fig. 4

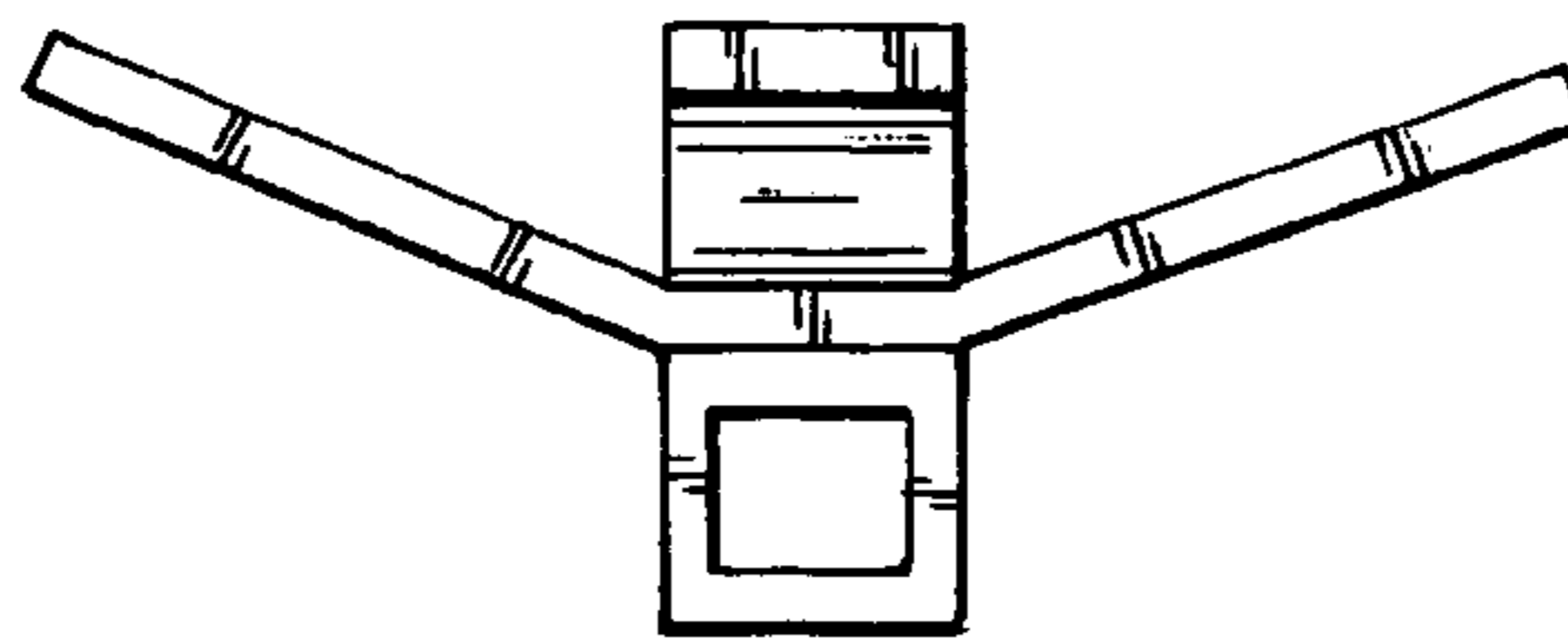


Fig. 5

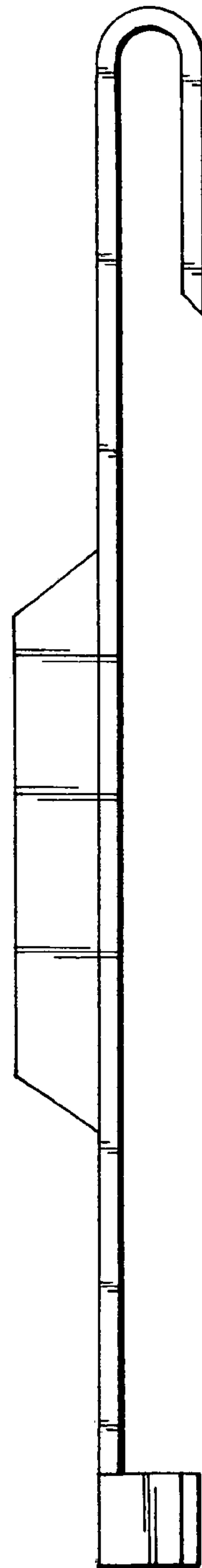


Fig. 6