



US00D551951S

(12) **United States Design Patent**
Palmer

(10) **Patent No.:** **US D551,951 S**

(45) **Date of Patent:** **** Oct. 2, 2007**

(54) **DECORATIVE HANGER**

(76) **Inventor:** **Ronald Wayne Palmer**, 624 Pacek Rd.,
Greensburg, PA (US) 15601

(**) **Term:** **14 Years**

(21) **Appl. No.:** **29/240,425**

(22) **Filed:** **Nov. 22, 2005**

(51) **LOC (8) Cl.** **08-05**

(52) **U.S. Cl.** **D8/373; D8/367; D8/370**

(58) **Field of Classification Search** **D8/367,**
D8/373, 370; D6/323; 211/113; 248/302-303
See application file for complete search history.

(56) **References Cited**

U.S. PATENT DOCUMENTS

D244,512 S *	5/1977	Edwards	D12/115
D247,146 S *	2/1978	Watt, Jr.	D6/323
4,098,483 A *	7/1978	Pesola et al.	248/311.2
D267,137 S *	12/1982	Mayer	D8/367
D305,587 S *	1/1990	Possemato	D6/513
D354,675 S *	1/1995	Bannister	D8/367
D401,840 S *	12/1998	Goodman et al.	D8/367
D425,317 S *	5/2000	Snell	D6/323
D472,059 S *	3/2003	Hoernig	D6/323
D473,453 S *	4/2003	Goodman et al.	D8/367
D493,093 S *	7/2004	Goodman et al.	D8/367

* cited by examiner

Primary Examiner—Holly H. Baynham

(74) *Attorney, Agent, or Firm*—Lawrence R. Burns

(57) **CLAIM**

I claim the ornamental design for a decorative hanger, as shown and described.

DESCRIPTION

FIG. 1 is a perspective view of the decorative hanger according to the present invention.

FIG. 2 is a top plan view of the decorative hanger according to the present invention.

FIG. 3 is the rightside plan view of the decorative hanger according to the present invention.

FIG. 4 is a front view of the decorative hanger according to the present invention.

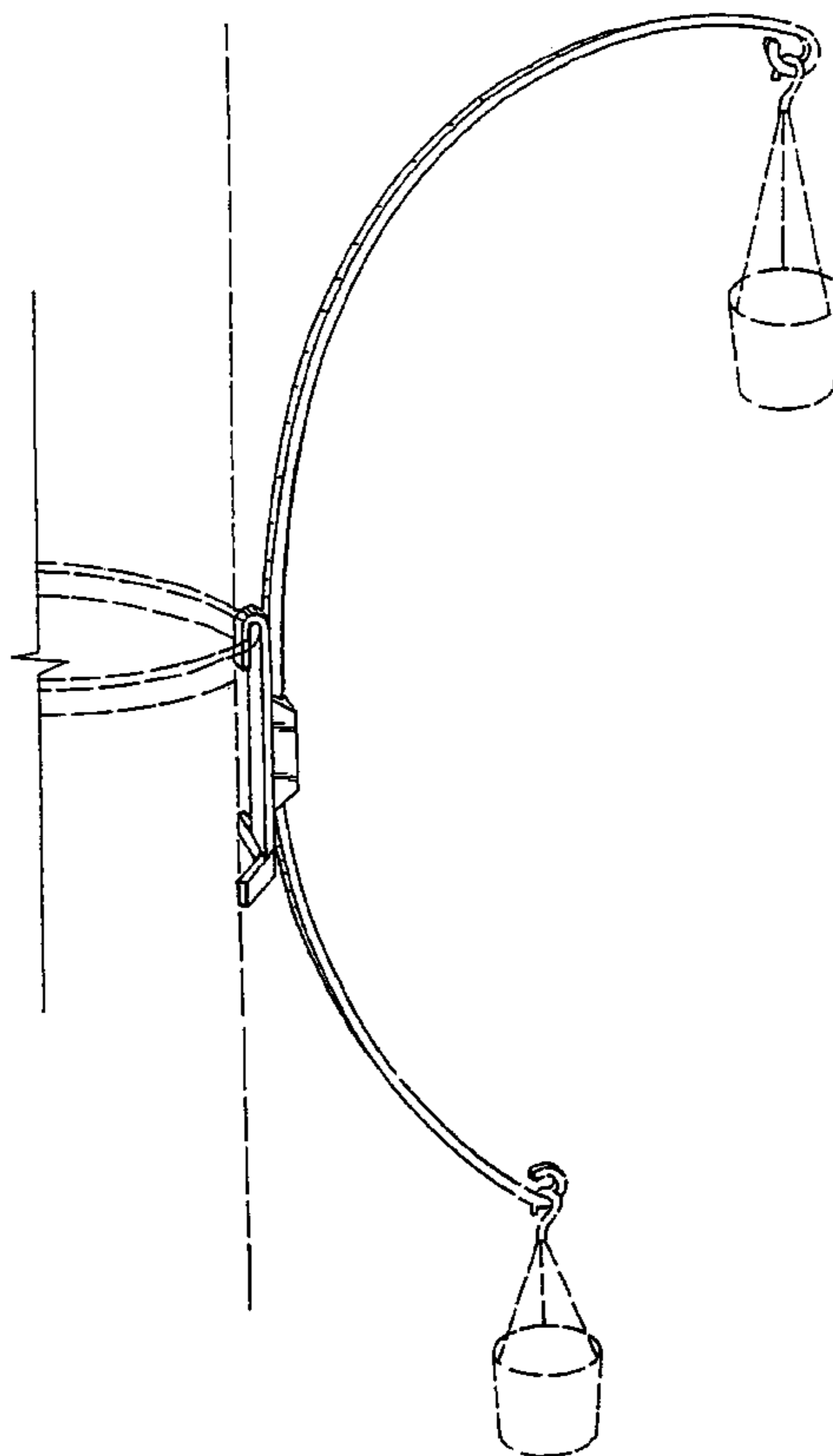
FIG. 5 is a bottom plan view of the decorative hanger according to the present invention.

FIG. 6 is a rear view of the decorative hanger according to the present invention; and,

FIG. 7 is a leftside view of the decorative hanger according to the present invention.

The broken line showing of partial hook elements and structure is included for the purpose of illustrating environment and forms no part of the claimed design.

1 Claim, 3 Drawing Sheets



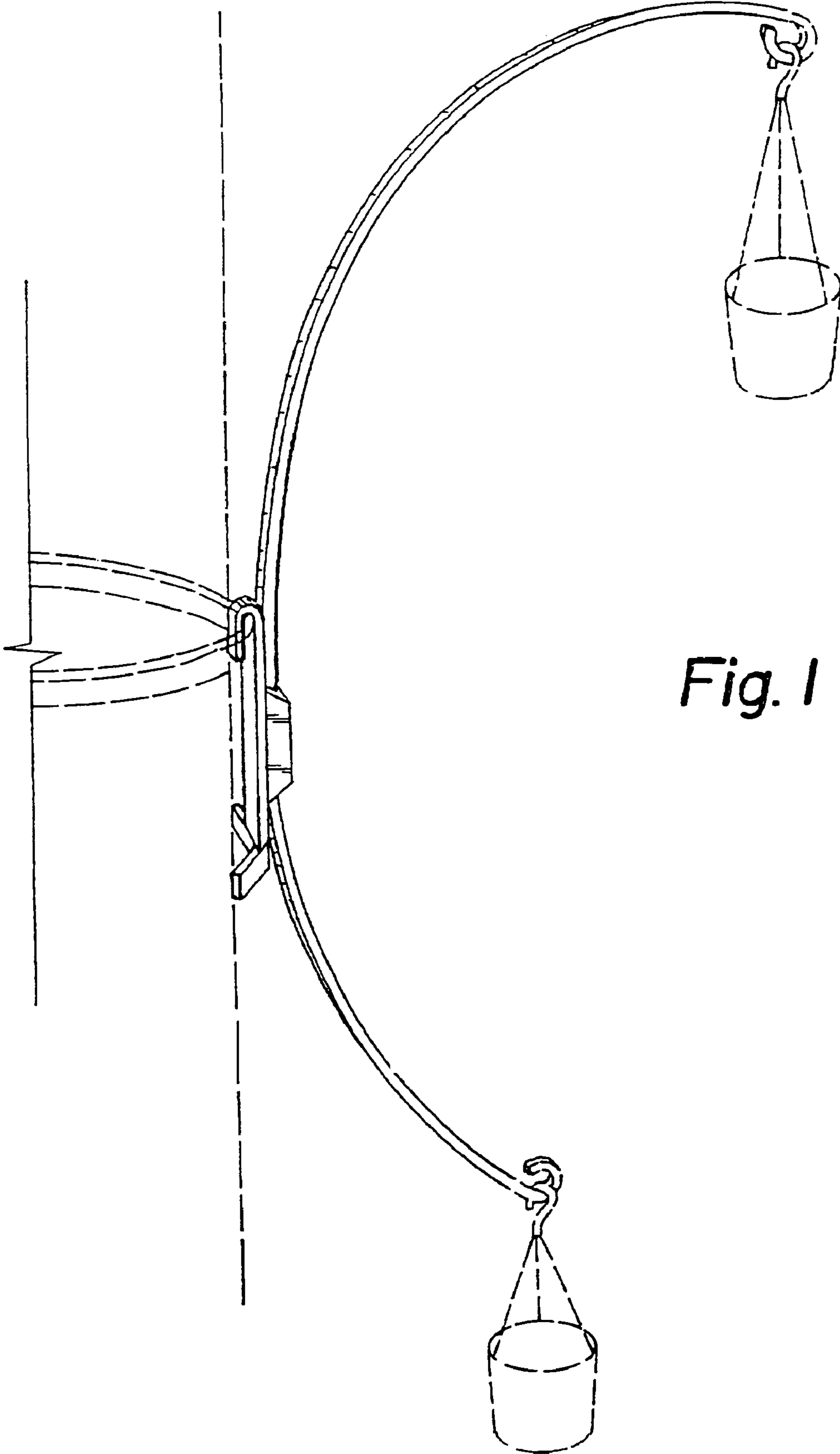
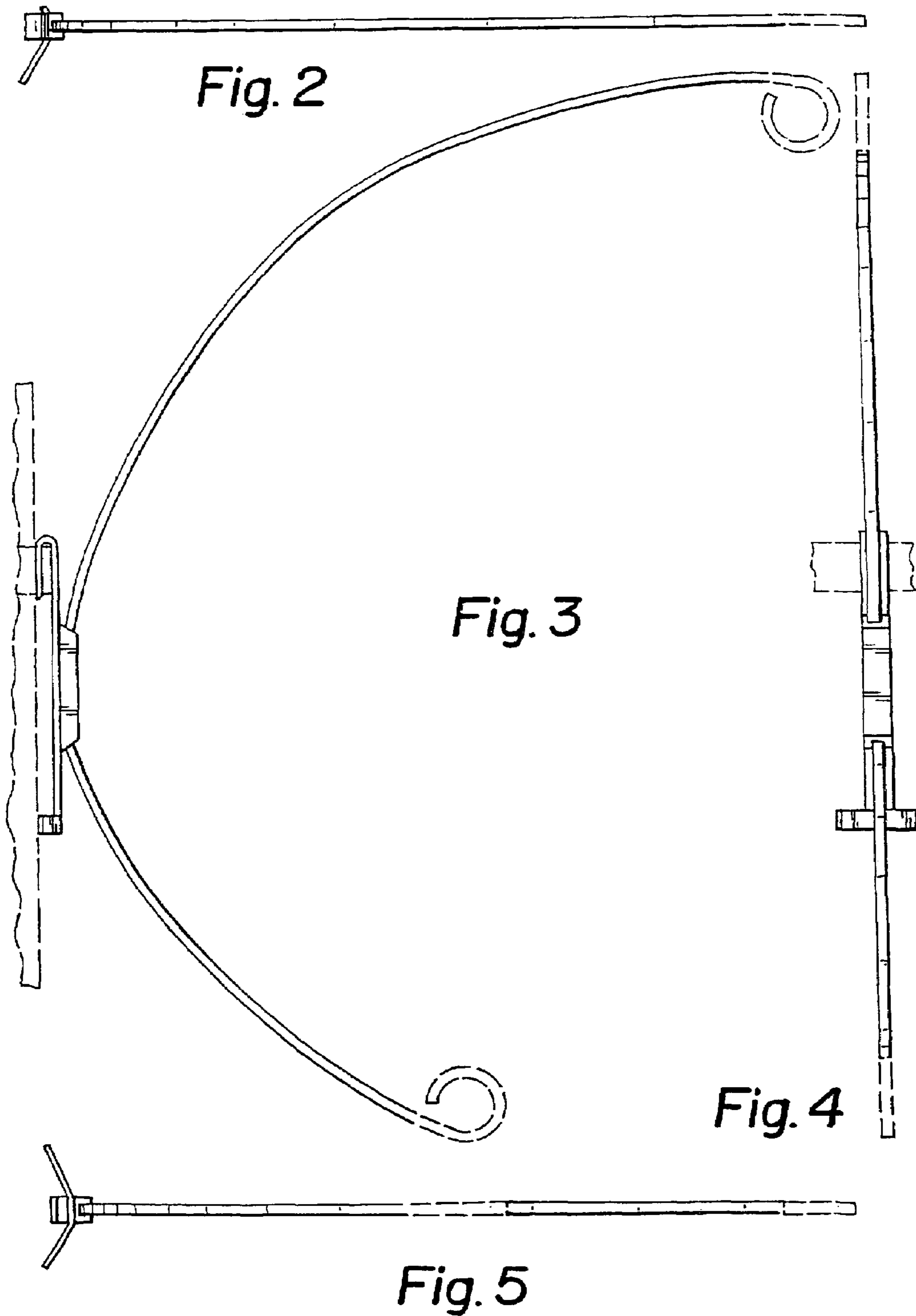


Fig. 1



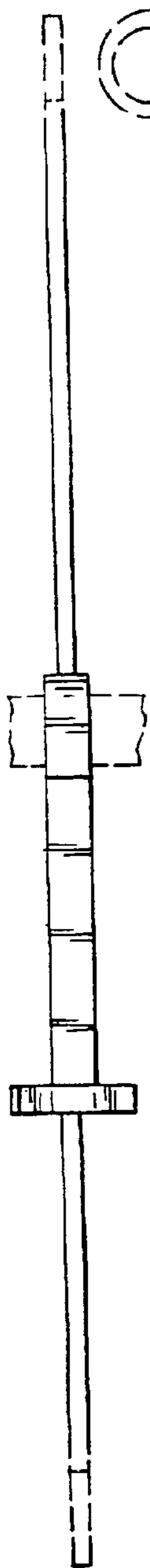


Fig. 6

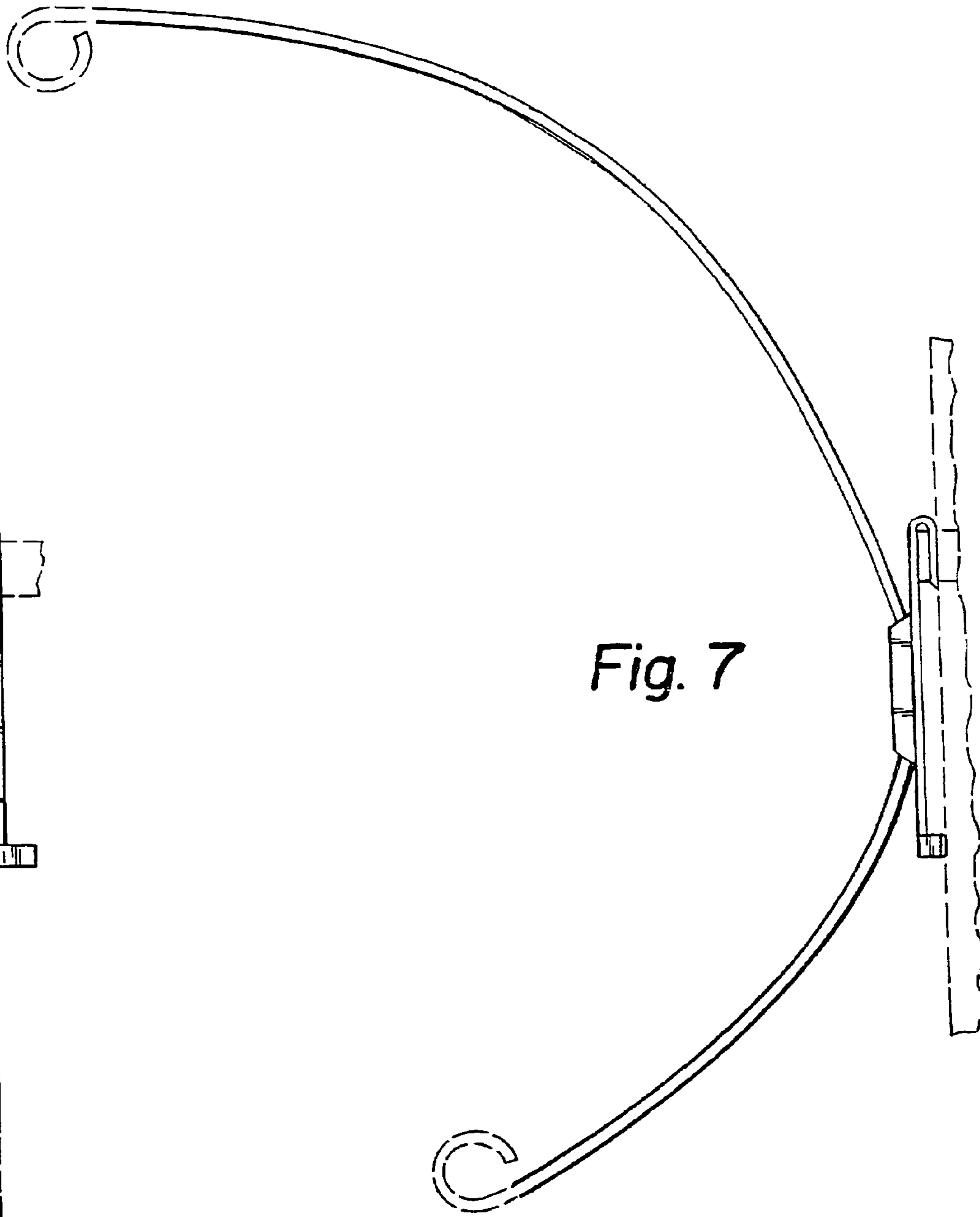


Fig. 7