



US00D551950S

(12) **United States Design Patent**  
**Davenport**

(10) **Patent No.:** **US D551,950 S**

(45) **Date of Patent:** **\*\* Oct. 2, 2007**

(54) **SHOWER CURTAIN RING**

(76) Inventor: **Rick Davenport**, 2220 Corporate  
Square Blvd., Jacksonville, FL (US)  
32216

(\*\*) Term: **14 Years**

(21) Appl. No.: **29/242,727**

(22) Filed: **Nov. 14, 2005**

(51) **LOC (8) Cl.** ..... **08-05**

(52) **U.S. Cl.** ..... **D8/367**

(58) **Field of Classification Search** ..... D8/367;  
16/87.2; 160/330; 24/716  
See application file for complete search history.

(56) **References Cited**

**U.S. PATENT DOCUMENTS**

571,670	A	11/1896	Kollock	
1,687,859	A	10/1928	Fontaine	
1,758,685	A *	5/1930	Boye	16/87.2
2,093,269	A	9/1937	Geller	
2,551,384	A *	5/1951	Middleton et al.	16/87.2
2,585,500	A *	2/1952	Roy	16/87.2
2,831,538	A	4/1958	Lishman	
3,155,150	A	11/1964	Silvestre	
3,388,734	A	6/1968	Silvestre	
4,031,943	A	6/1977	Silvestre	
D296,299	S *	6/1988	Bussell	D8/373
5,111,868	A *	5/1992	Sawaya	160/330
5,186,232	A	2/1993	Zahner	

5,355,551	A *	10/1994	Schechter et al.	16/87.2
5,367,742	A *	11/1994	Bindman	16/87.2
D366,206	S *	1/1996	Hogan et al.	D8/367
6,189,597	B1	2/2001	Cheng	
6,494,248	B1	12/2002	Zahner	
6,935,402	B2	8/2005	Zahner	
2004/0031576	A1	2/2004	Zahner	

\* cited by examiner

*Primary Examiner*—Holly H. Baynham

(74) *Attorney, Agent, or Firm*—Thomas C. Saitta

(57) **CLAIM**

The ornamental design for a shower curtain ring, as shown and described.

**DESCRIPTION**

FIG. 1 is a rear view of the invention.

FIG. 2 is a front view.

FIG. 3 is a right side view.

FIG. 4 is a left side view.

FIG. 5 is a bottom view.

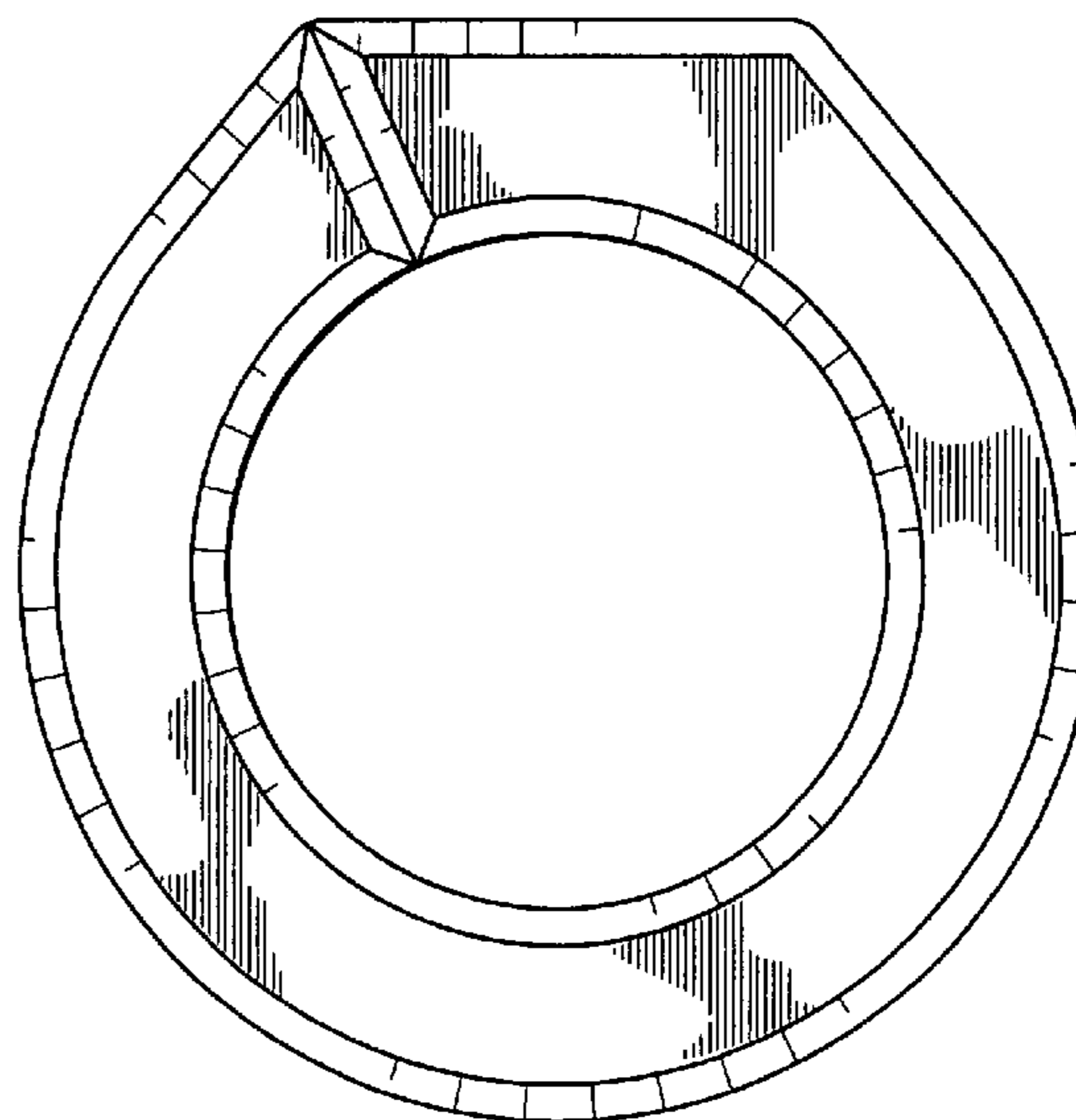
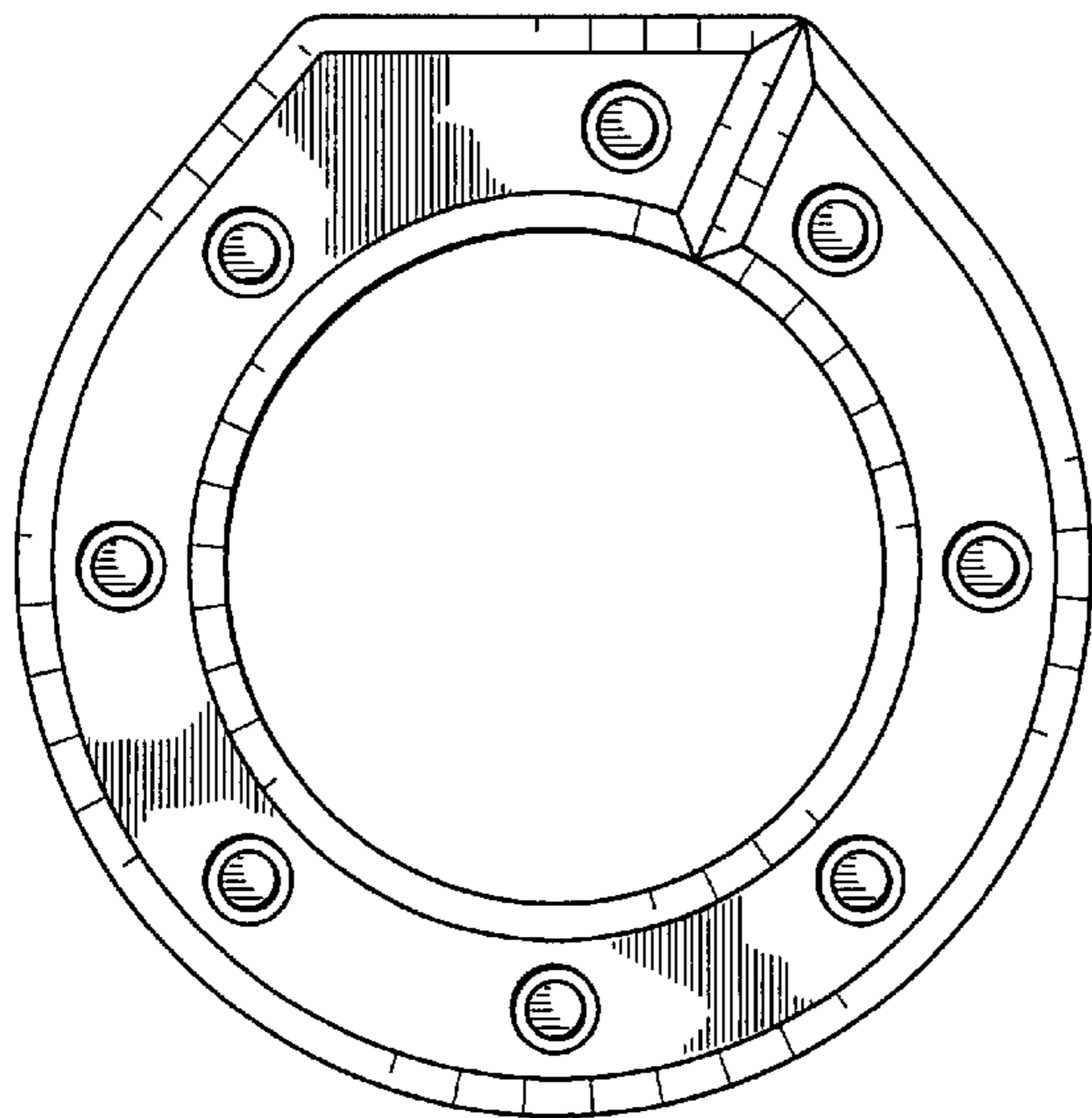
FIG. 6 is a top view.

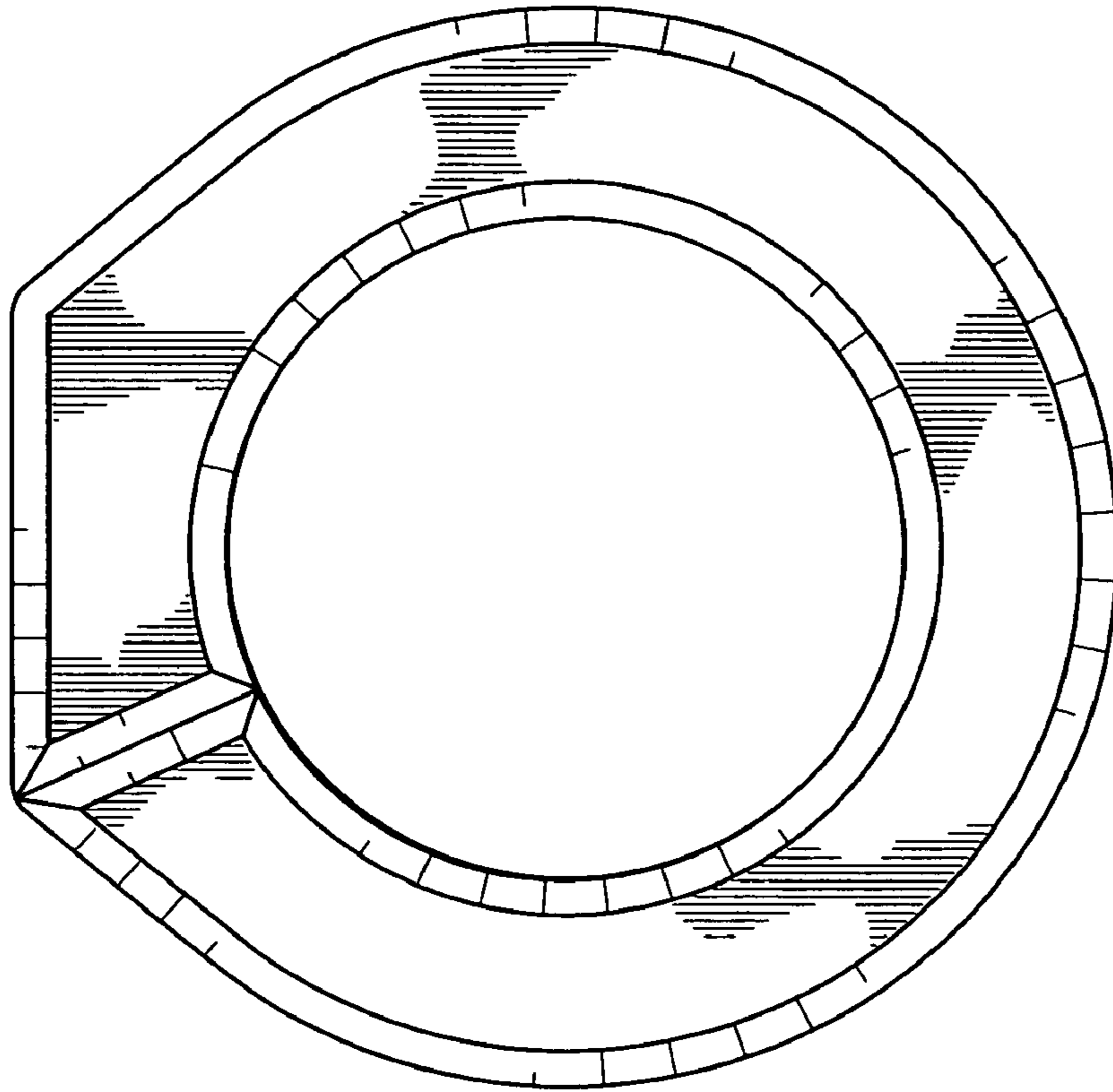
FIG. 7 is a bottom view of the members shown separated.

FIG. 8 is a back view of the front member; and,

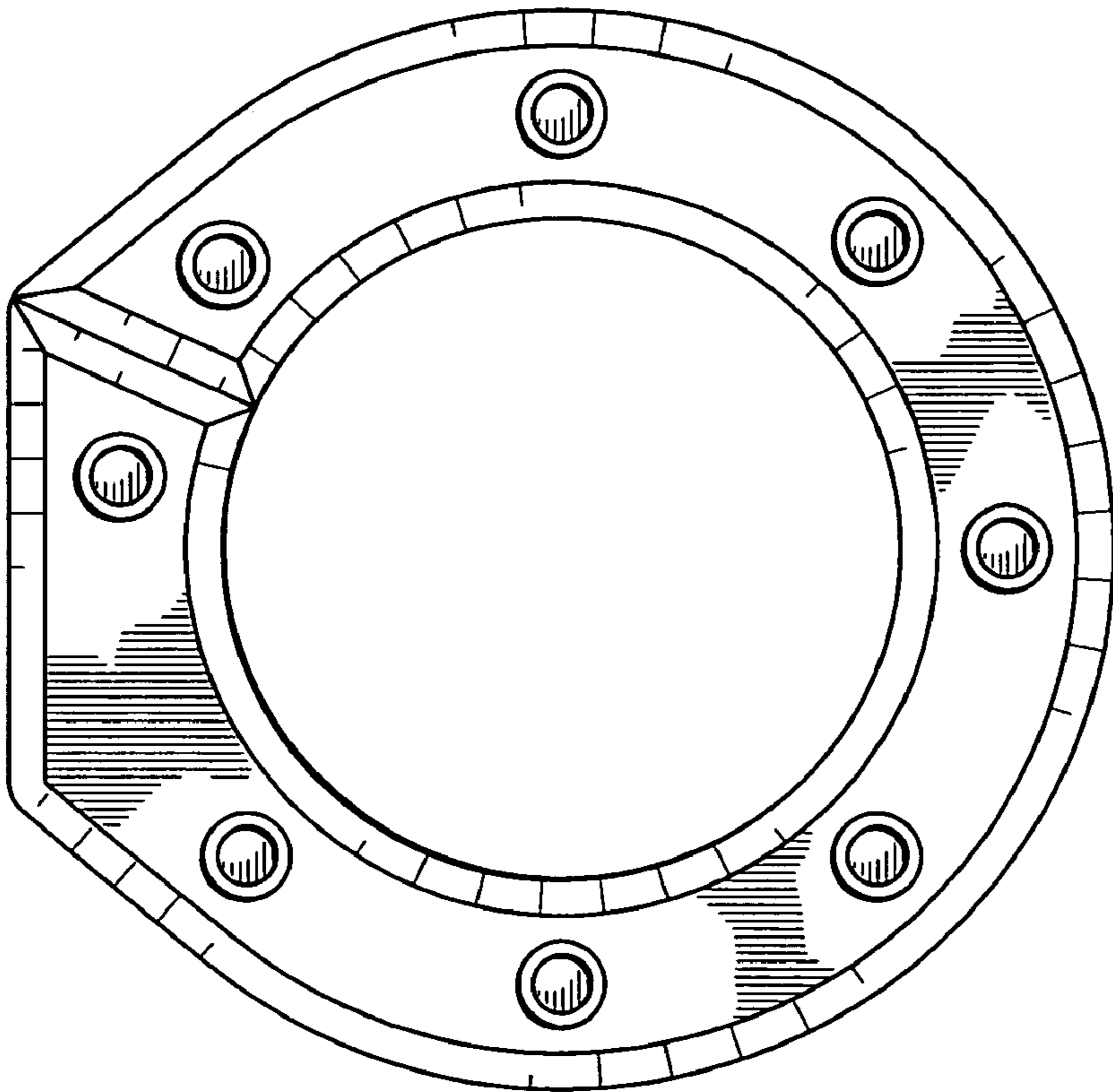
FIG. 9 is a front view of the back member.

**1 Claim, 3 Drawing Sheets**

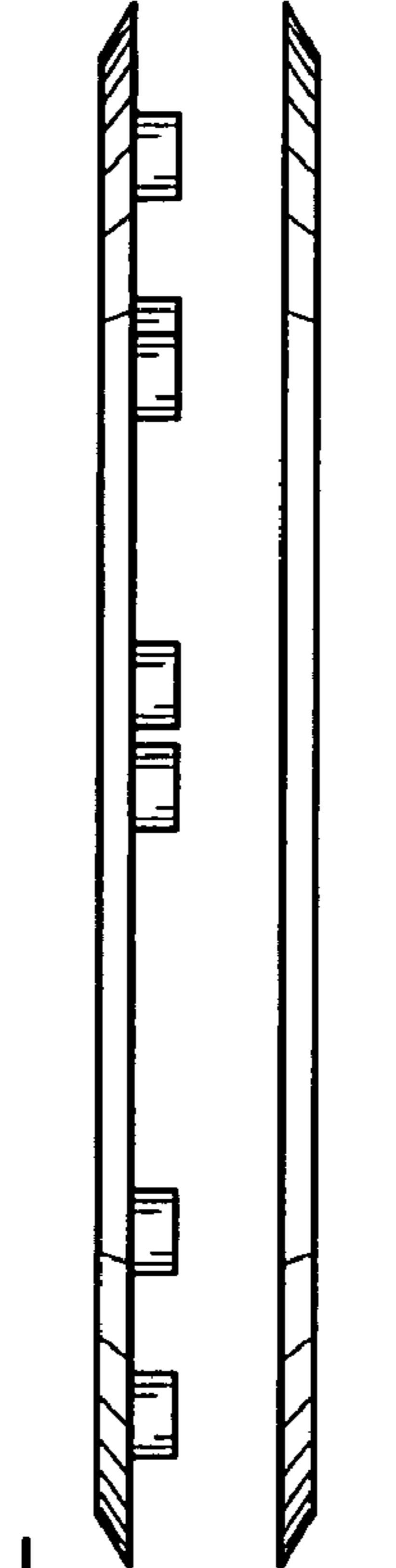
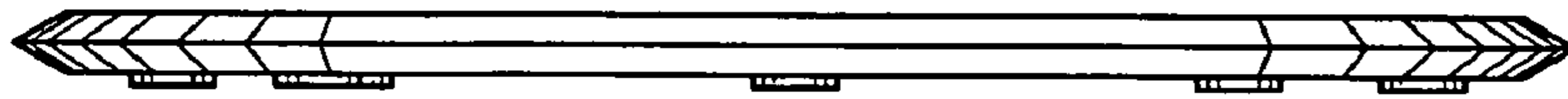
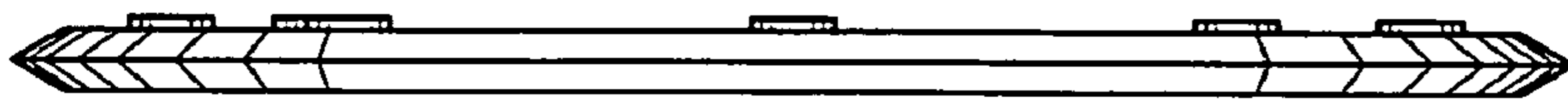




*Fig. 2*



*Fig. 1*

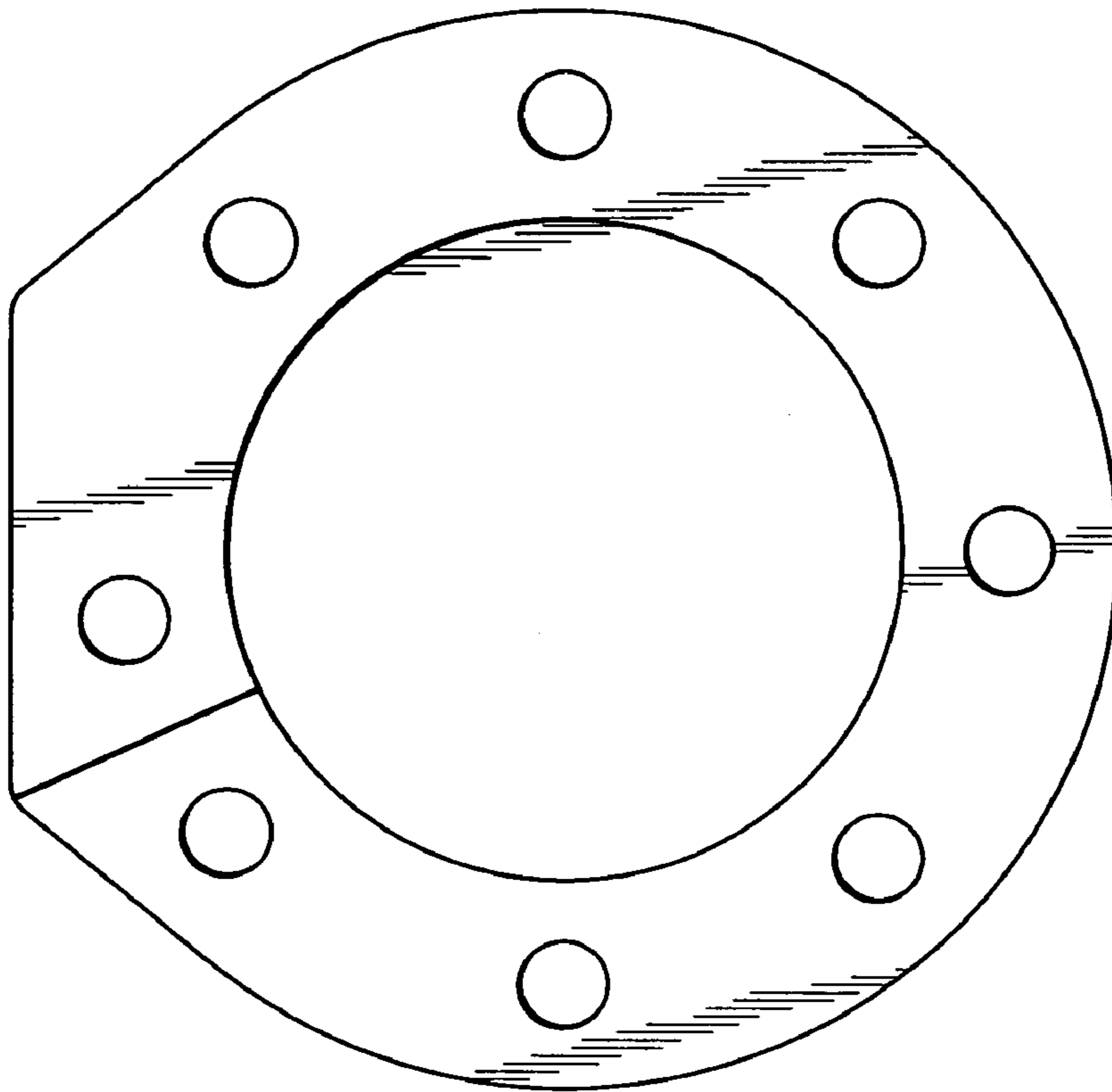


*Fig. 5*

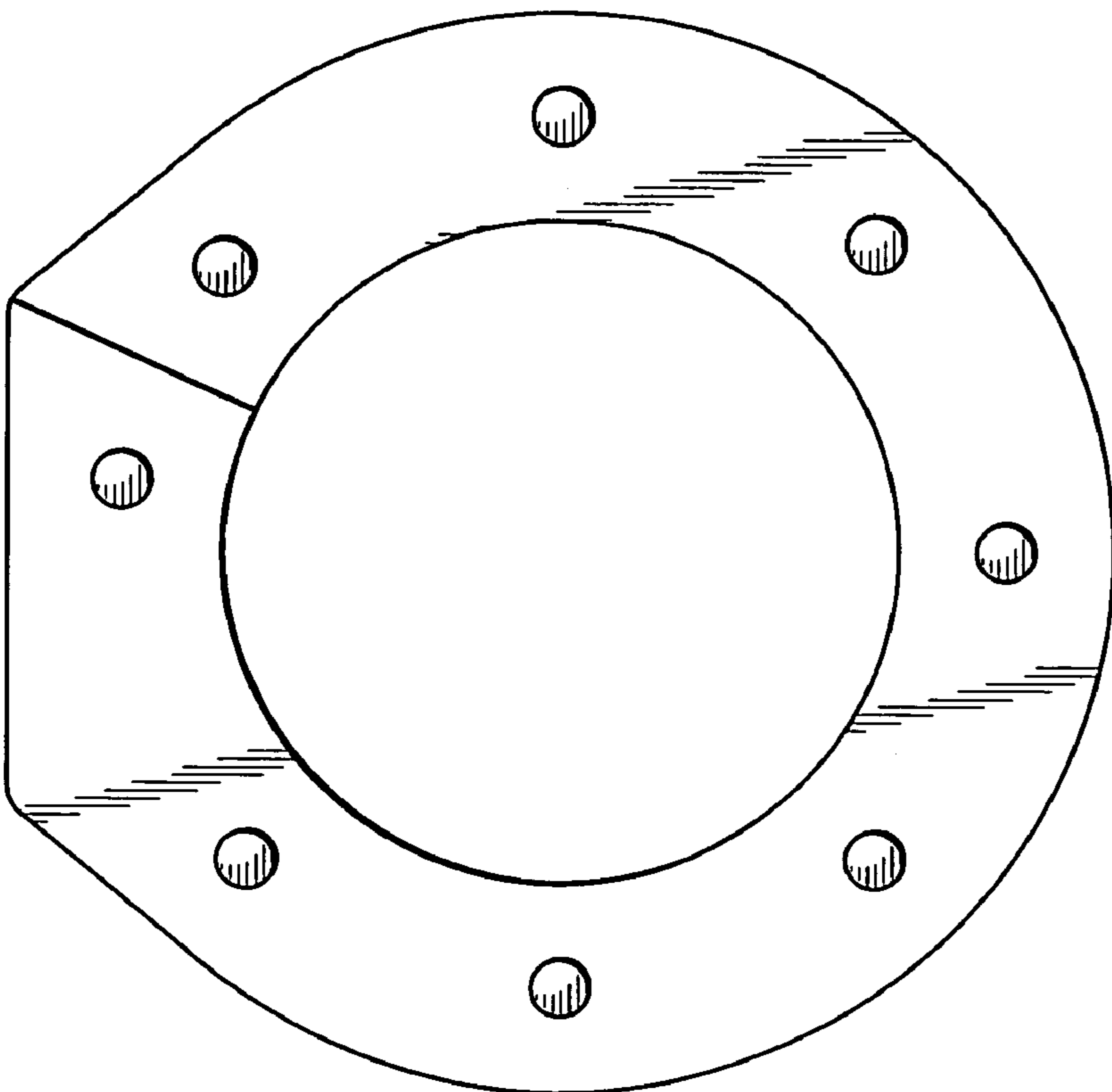
*Fig. 6*

*Fig. 7*

*Fig. 3* *Fig. 4*



*Fig. 9*



*Fig. 8*