



US00D551949S

(12) **United States Design Patent**
Mussallem et al.

(10) **Patent No.:** **US D551,949 S**

(45) **Date of Patent:** **** Oct. 2, 2007**

(54) **DEVICE FOR SUPPORTING AN ART OBJECT IN SPACED RELATION TO A WALL SURFACE**

D392,692 S * 3/1998 Windom D21/389
6,032,956 A * 3/2000 Bogucz 273/236

* cited by examiner

(75) Inventors: **Poppy Mussallem**, 825 Riverside Ave., #12, Paso Robles, CA (US) 93446;
Robert Williams, San Carlos, CA (US)

Primary Examiner—Holly H. Baynham
(74) *Attorney, Agent, or Firm*—Harris Zimmerman

(73) Assignee: **Poppy Mussallem**, Oakridge, OR (US)

(57) **CLAIM**

(**) Term: **14 Years**

The ornamental design for a device for supporting an art object in spaced relation to a wall surface, as shown and described.

(21) Appl. No.: **29/233,384**

(22) Filed: **Jun. 30, 2005**

DESCRIPTION

(51) **LOC (8) Cl.** **08-05**

FIG. 1 is a perspective view of our device for supporting an art object in spaced relation to a wall surface;

(52) **U.S. Cl.** **D8/363**

FIG. 2 is a left side view thereof; the opposite side being a mirror image thereof;

(58) **Field of Classification Search** D8/363;

FIG. 3 is a rear view;

D21/389; 273/236-237

FIG. 4 is front view; and,

See application file for complete search history.

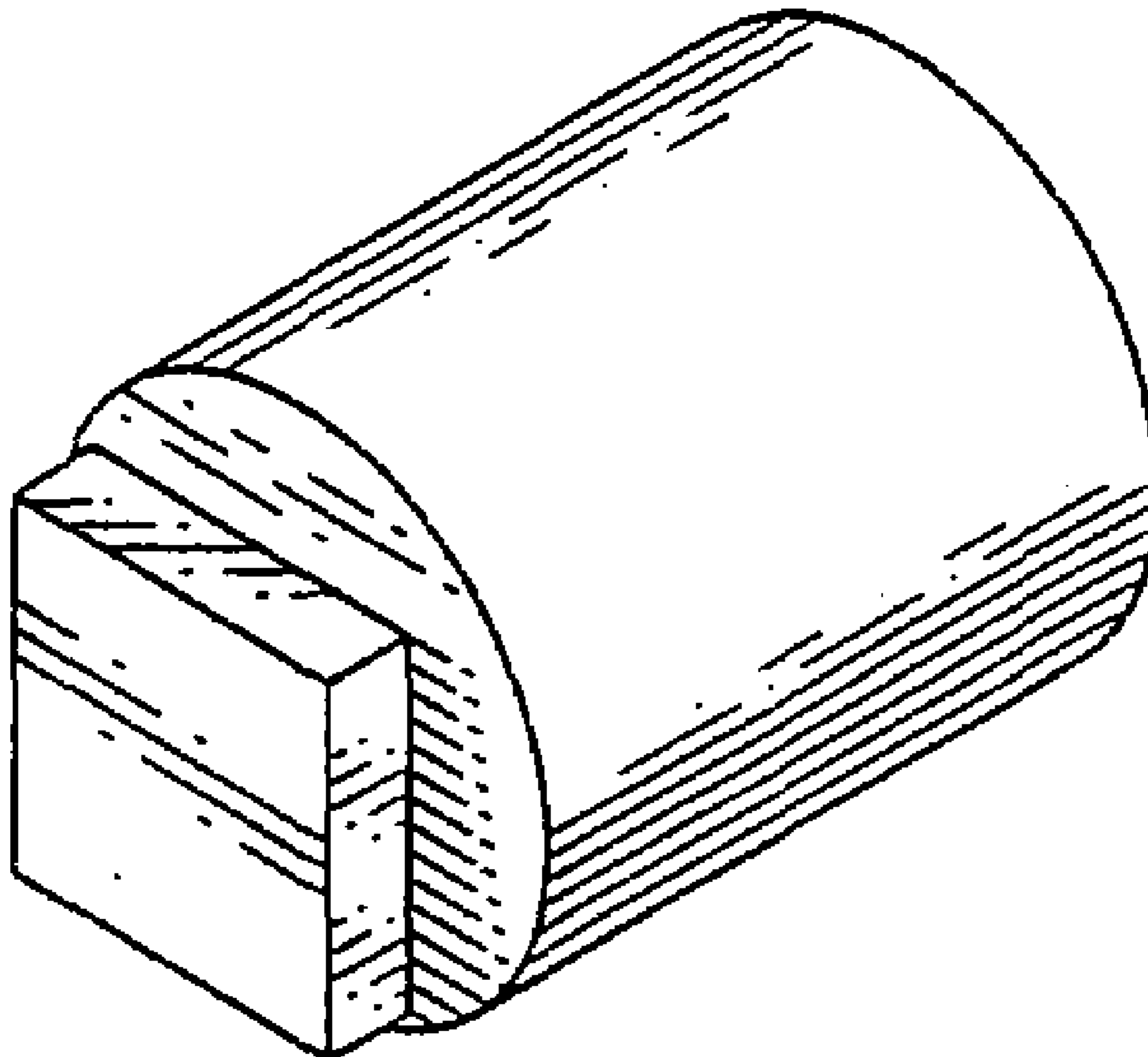
FIG. 5 is a top view; the bottom view being a mirror image thereof.

(56) **References Cited**

U.S. PATENT DOCUMENTS

3,881,731 A * 5/1975 Droney 273/291

1 Claim, 1 Drawing Sheet



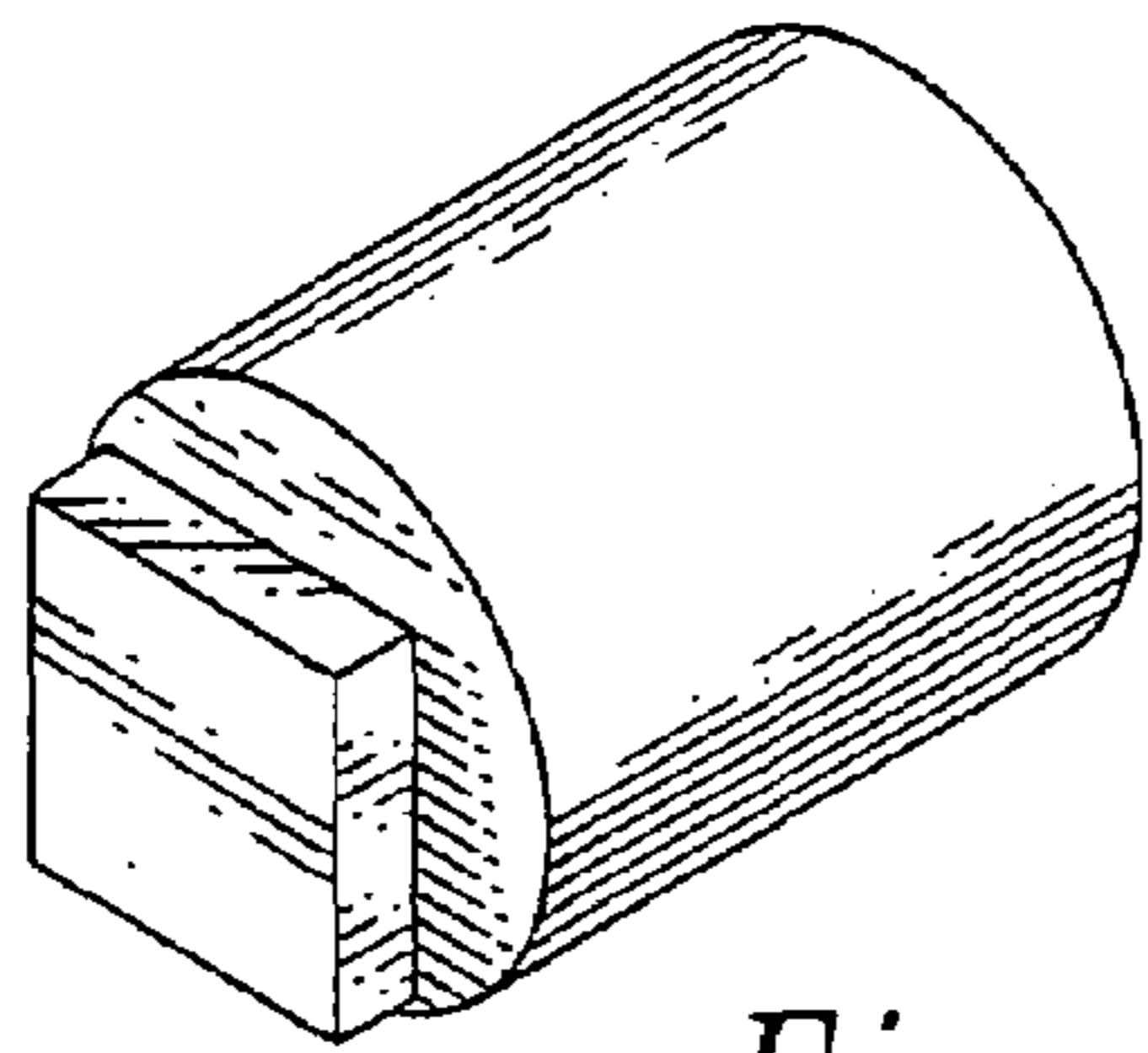


Fig. 1

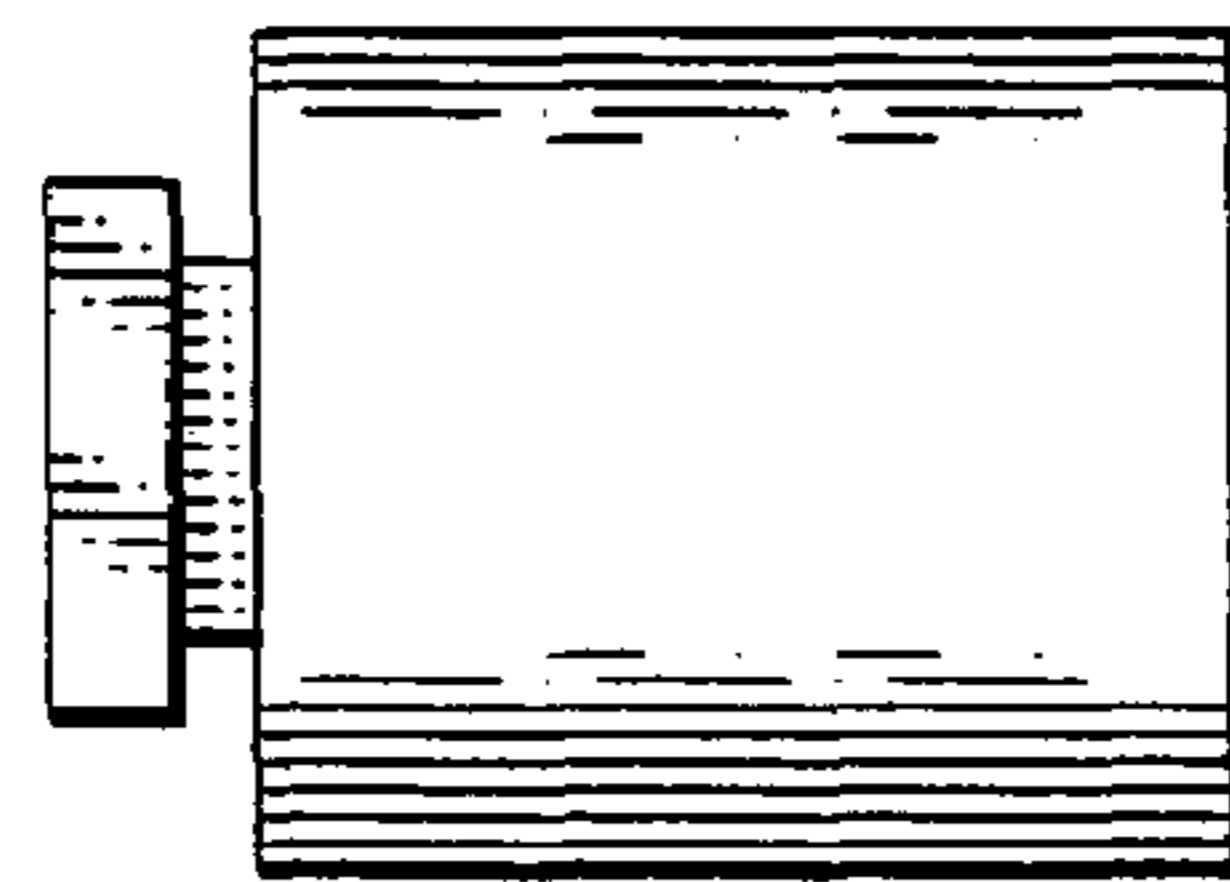


Fig. 2

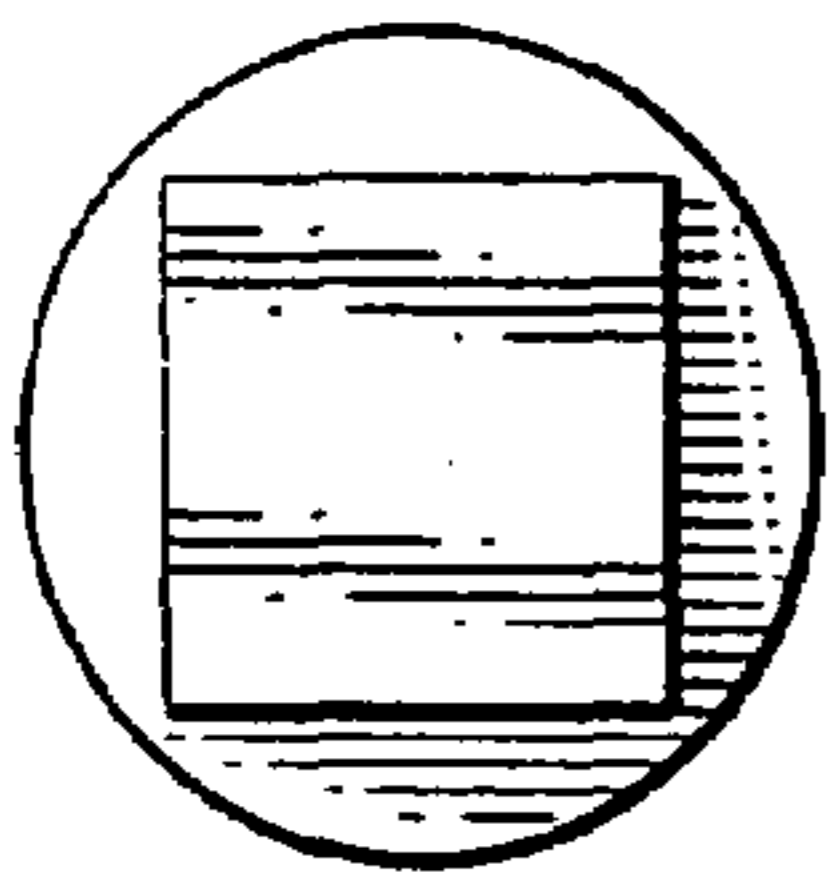


Fig. 3

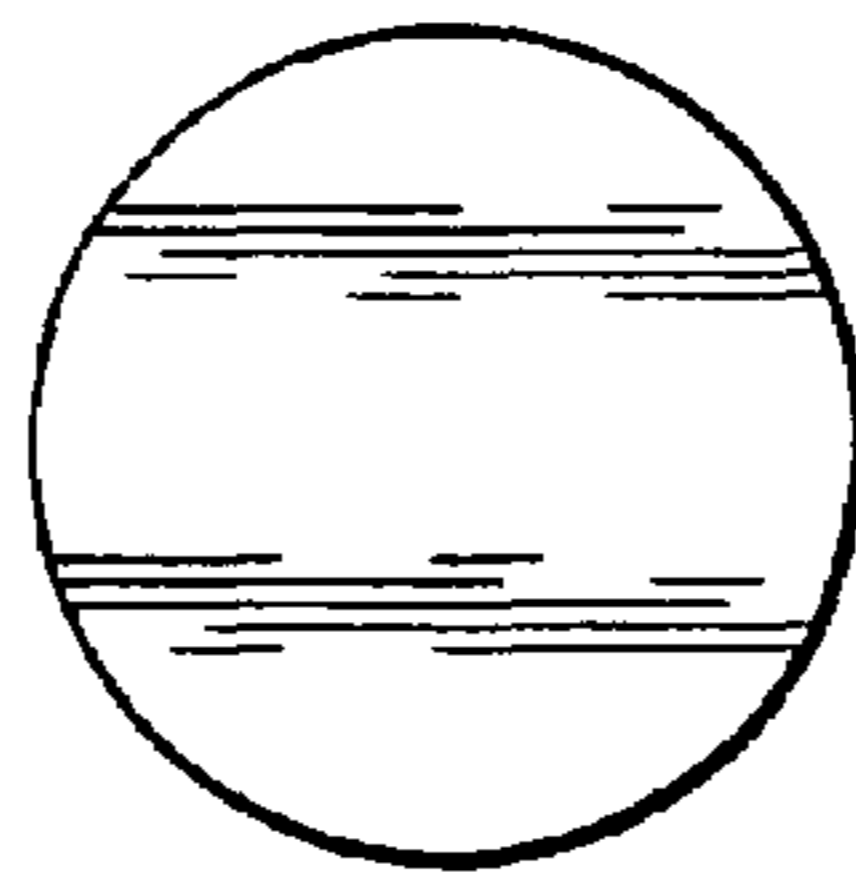


Fig. 4

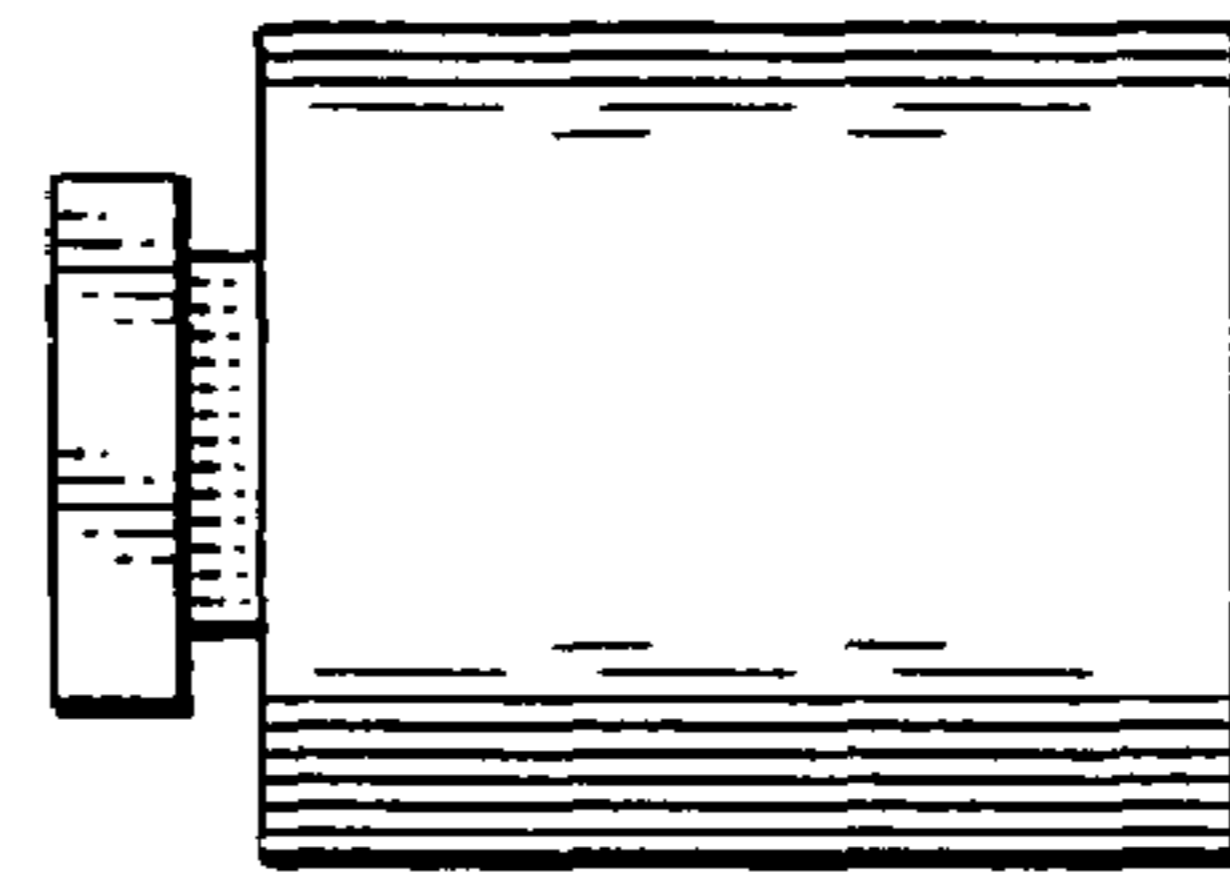


Fig. 5