



US00D551948S

(12) **United States Design Patent**
Metzger

(10) **Patent No.:** **US D551,948 S**

(45) **Date of Patent:** **** Oct. 2, 2007**

(54) **REEL**
(75) **Inventor:** **Daniel M Metzger**, Fort Wayne, IN
(US)
(73) **Assignee:** **Reelcraft Industries, Inc.**, Columbia
City, IN (US)

(**) **Term:** **14 Years**

(21) **Appl. No.:** **29/235,931**

(22) **Filed:** **Aug. 9, 2005**

(51) **LOC (8) Cl.** **08-05**

(52) **U.S. Cl.** **D8/358**

(58) **Field of Classification Search** D8/358;
242/405, 395, 405.1, 405.3
See application file for complete search history.

(56) **References Cited**

U.S. PATENT DOCUMENTS

745,670 A	12/1903	Riley	
2,907,534 A	10/1959	Bernstein	242/86
3,176,931 A	4/1965	Hannay	242/107.7
3,625,450 A	12/1971	Lloyd, Jr.	242/86
3,694,588 A	9/1972	Appleton	191/12.2
3,838,830 A *	10/1974	Pettit	242/395
4,154,324 A	5/1979	Upton et al.	191/12.2 R
4,224,960 A	9/1980	Nederman	137/355.23

4,543,982 A	10/1985	Wolfe	137/355.2
4,813,627 A	3/1989	Nelson	242/107.7
5,101,082 A	3/1992	Simmons et al.	191/12.2 R
5,495,995 A	3/1996	Dominique et al.	242/390.1
5,787,923 A	8/1998	Shea et al.	137/355.26
D412,023 S *	7/1999	Shields	D22/137
D419,426 S *	1/2000	Kovacik et al.	D8/358
D476,879 S	7/2003	Chu	D8/358
D492,578 S *	7/2004	Evans et al.	D8/358
D505,612 S *	5/2005	Evans et al.	D8/358
2004/0238675 A1	12/2004	Banaszkiewicz et al.	242/377

OTHER PUBLICATIONS

Reelcraft product information on ReelTek Series RT reel, 2002.
Reelcraft product information on ReelTek reel, Aug. 2002.

* cited by examiner

Primary Examiner—Holly H. Baynham
(74) *Attorney, Agent, or Firm*—Baker & Daniels LLP

(57) **CLAIM**

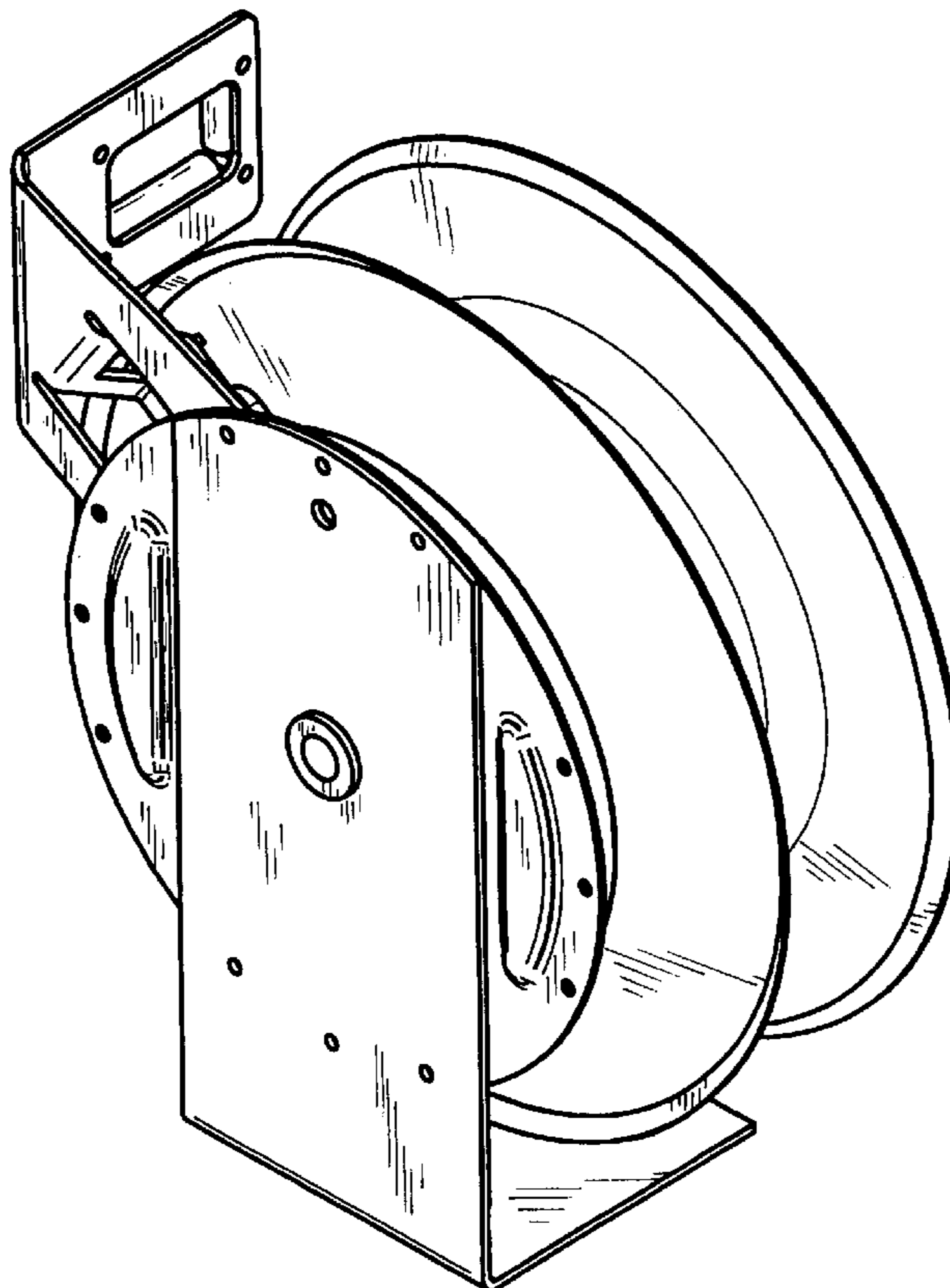
The ornamental design for a reel, as shown and described.

DESCRIPTION

FIG. 1 is a front perspective view of a reel according to my new design; and,

FIG. 2 is a side view thereof.

1 Claim, 2 Drawing Sheets



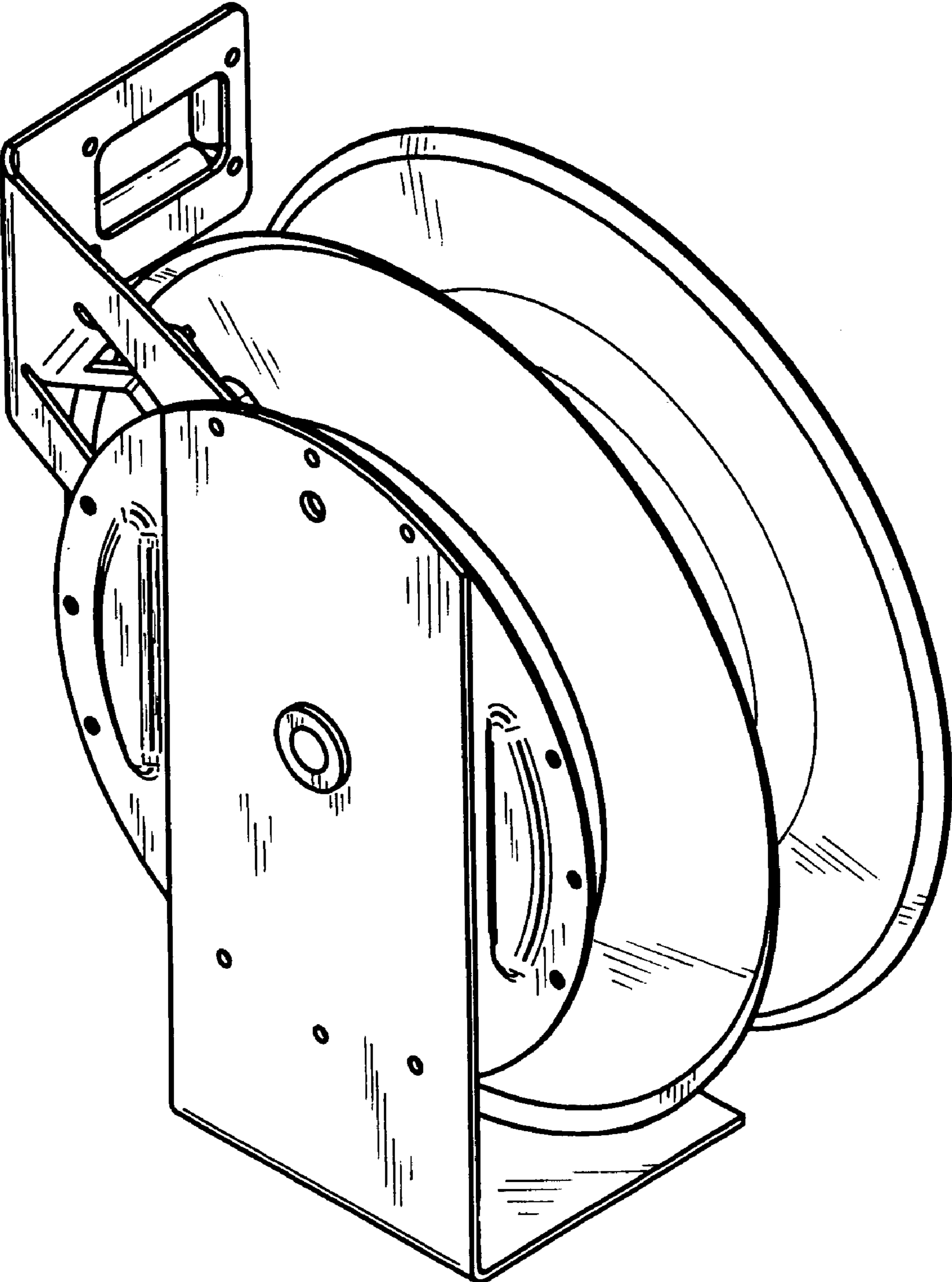


FIG. 1

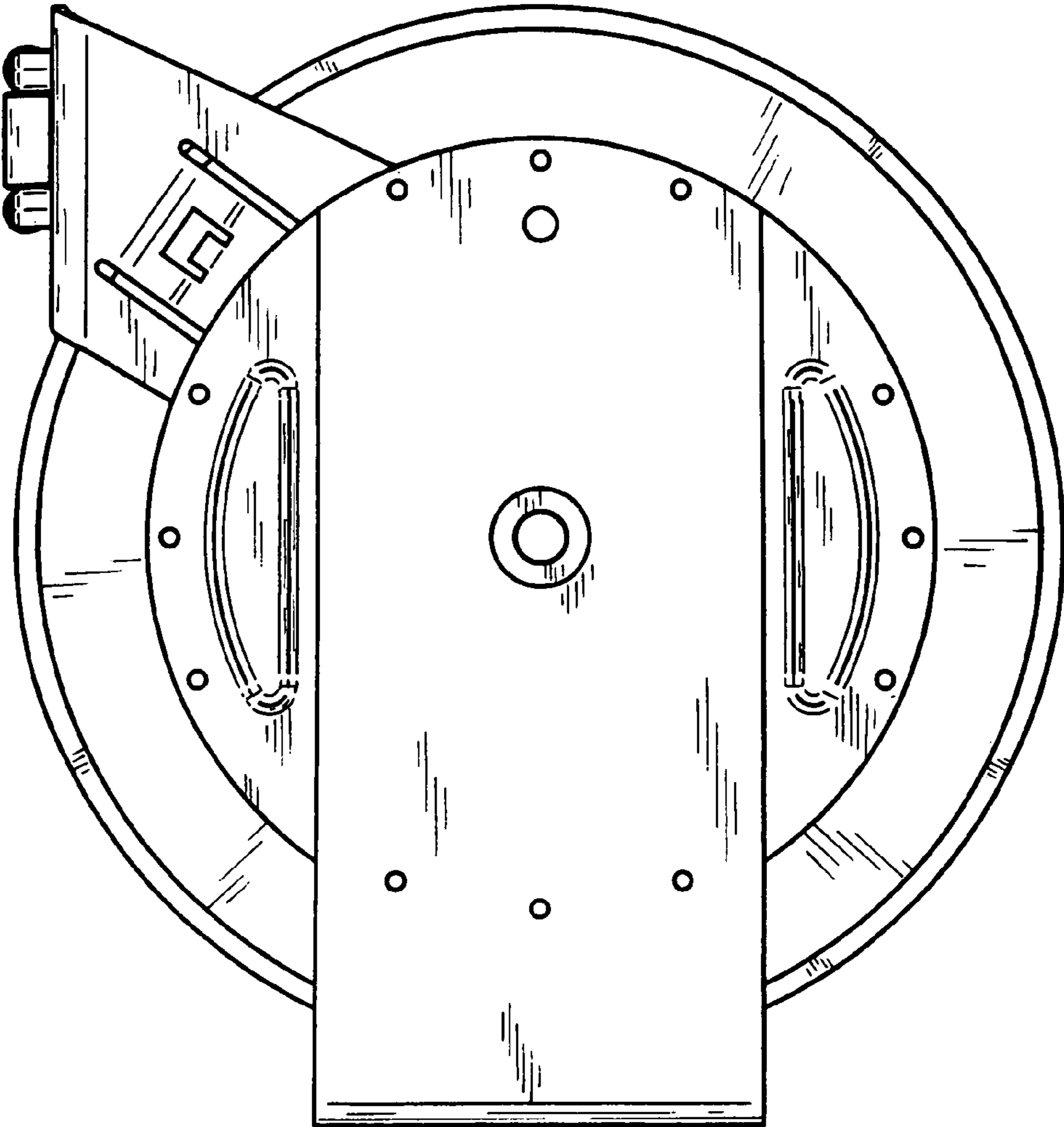


FIG. 2