



US00D551944S

(12) **United States Design Patent**
Sherrard

(10) **Patent No.:** **US D551,944 S**

(45) **Date of Patent:** **** Oct. 2, 2007**

(54) **BRACKET FOR FEEDER**

Primary Examiner—Holly H. Baynham

(76) Inventor: **James M. Sherrard**, 1115 Lisa La.,
Ruston, LA (US) 71270

(57) **CLAIM**

The ornamental design for a “bracket for feeder”, as shown and described.

(**) Term: **14 Years**

(21) Appl. No.: **29/242,106**

DESCRIPTION

(22) Filed: **Nov. 7, 2005**

FIG. 1 is a front perspective view of the bracket for feeder, showing my new design with environmental structure illustrated in broken lines and forming no part of the claimed design;

(51) **LOC (8) Cl.** **08-05**

(52) **U.S. Cl.** **D8/354**

(58) **Field of Classification Search** D8/354,
D8/349; D30/124; 248/200, 300, 314, 309.1
See application file for complete search history.

FIG. 2 is a rear perspective view of the bracket for feeder;

FIG. 3 is a front view thereof;

FIG. 4 is a rear view thereof;

(56) **References Cited**

U.S. PATENT DOCUMENTS

D353,535 S *	12/1994	Gritman et al.	D8/373
5,613,660 A *	3/1997	Wyatt	248/300
6,193,200 B1 *	2/2001	Kao	248/309.1
6,684,812 B1 *	2/2004	Tucker	119/57.91
6,793,187 B2 *	9/2004	McGee	248/289.11

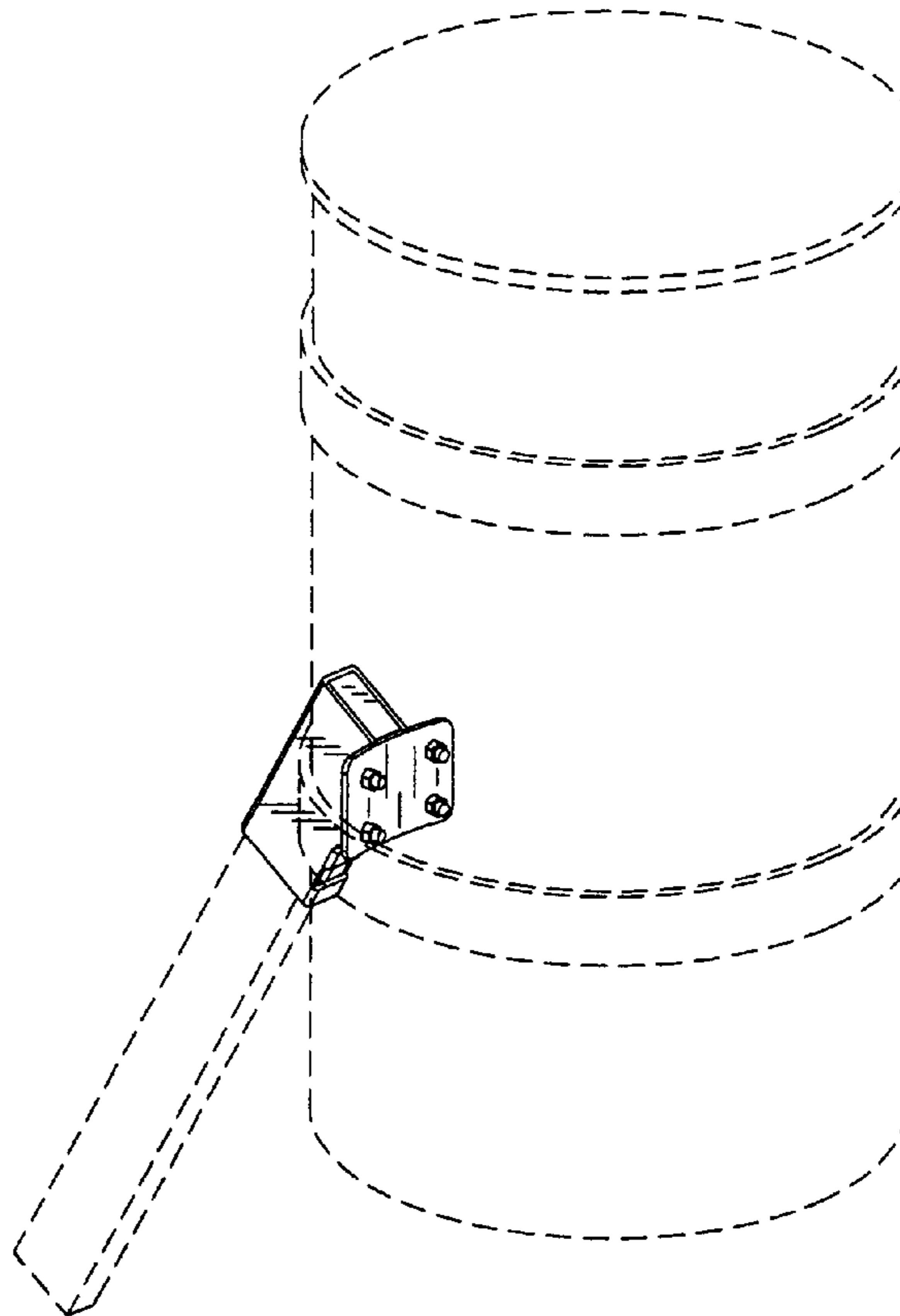
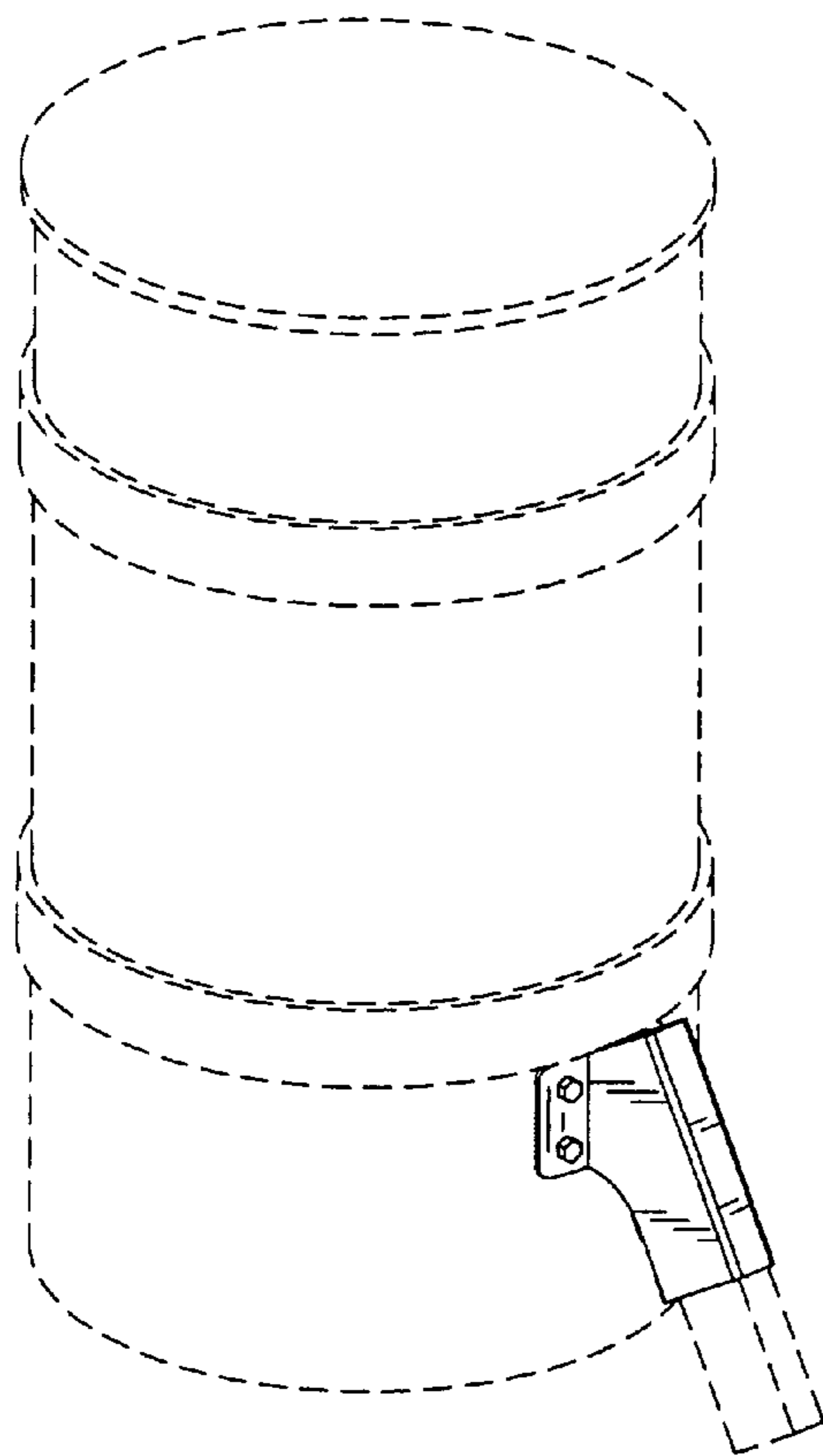
FIG. 5 is a rear elevational view thereof, this view being a mirror image of the opposing left side elevational view of the bracket for feeder;

FIG. 6 is a top plan view of the bracket for feeder; and,

FIG. 7 is a bottom plan view of the bracket for feeder illustrated in FIGS. 1–6.

* cited by examiner

1 Claim, 3 Drawing Sheets



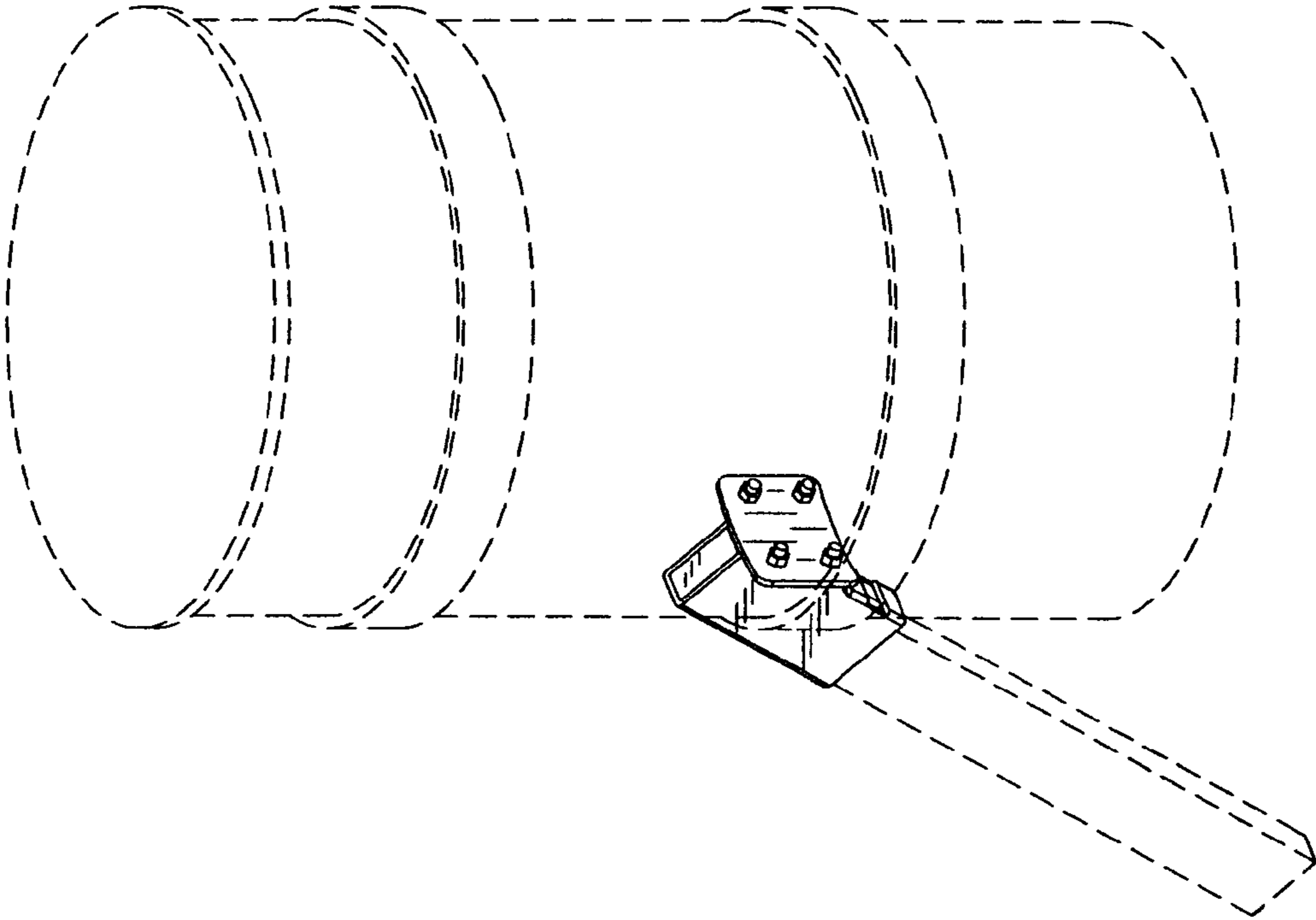


FIG. 2

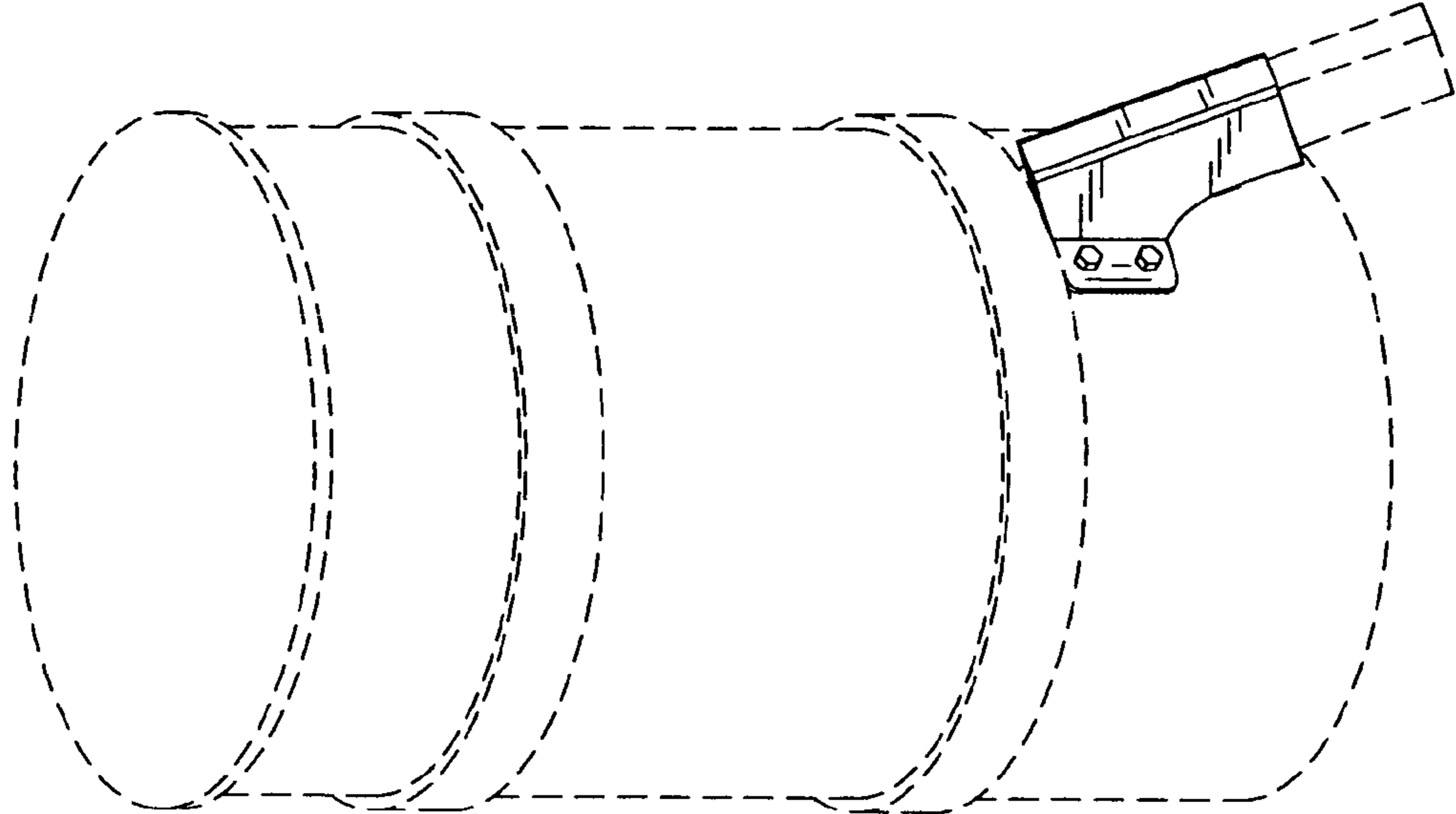


FIG. 1

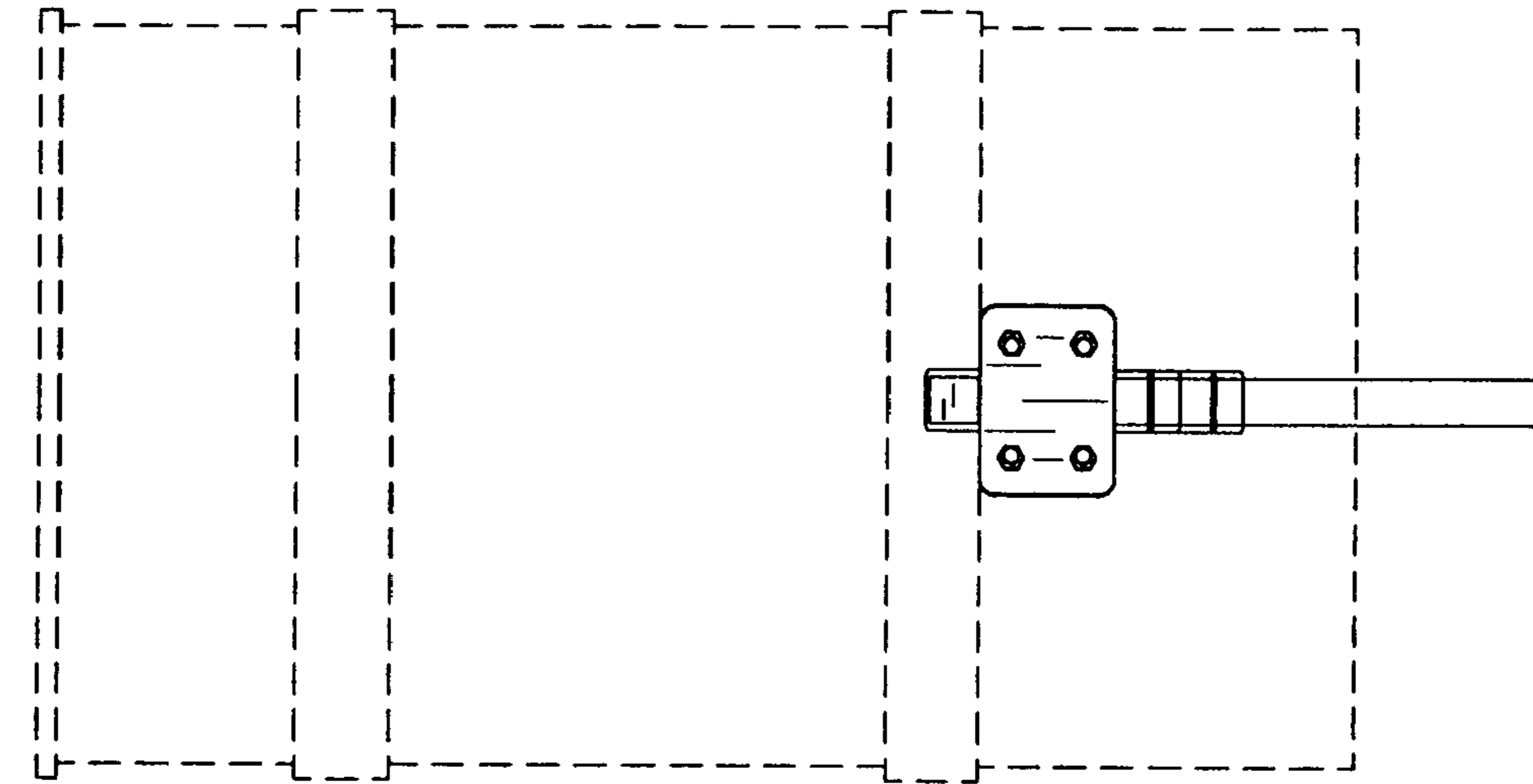


FIG. 4

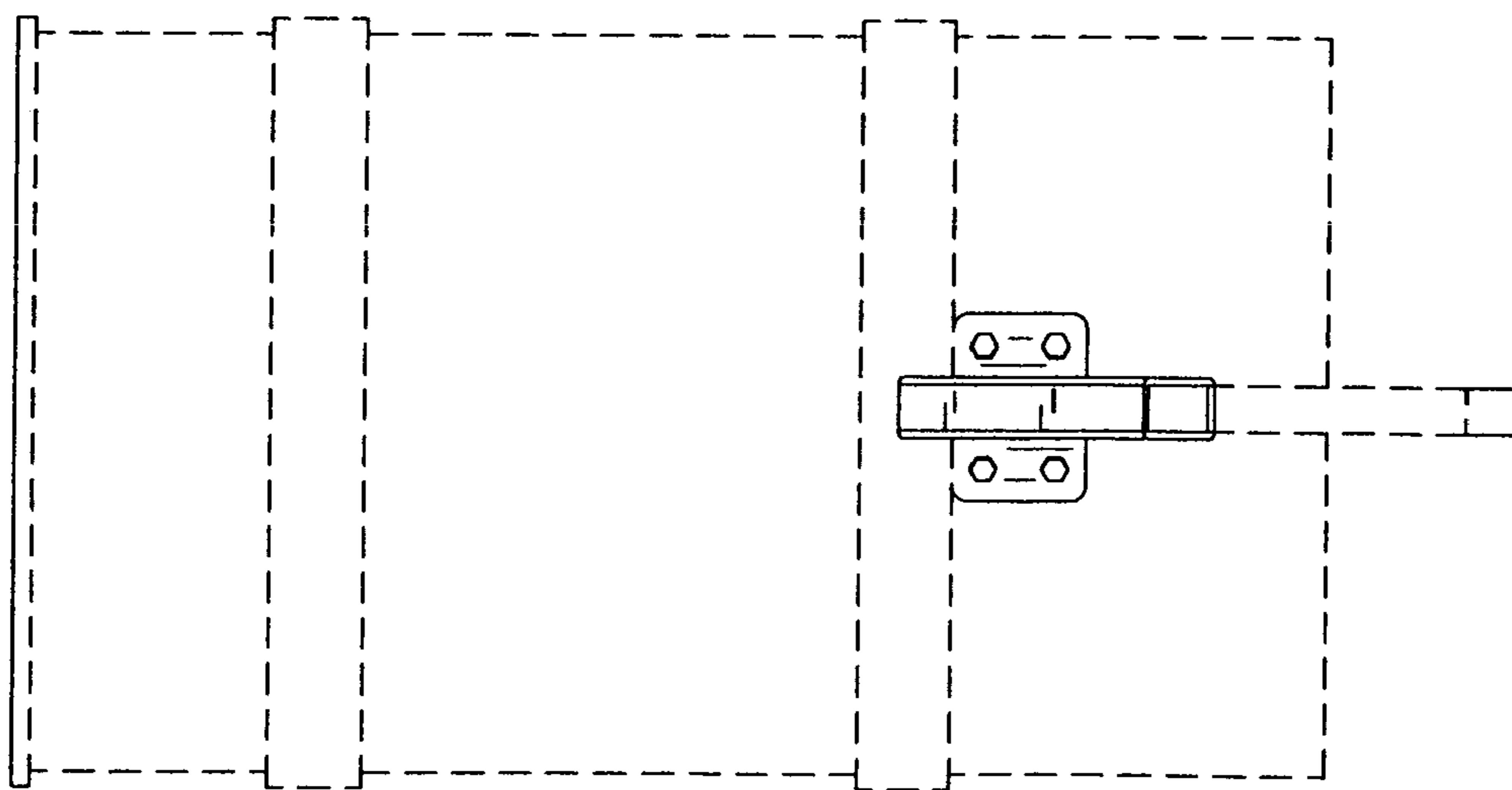


FIG. 3

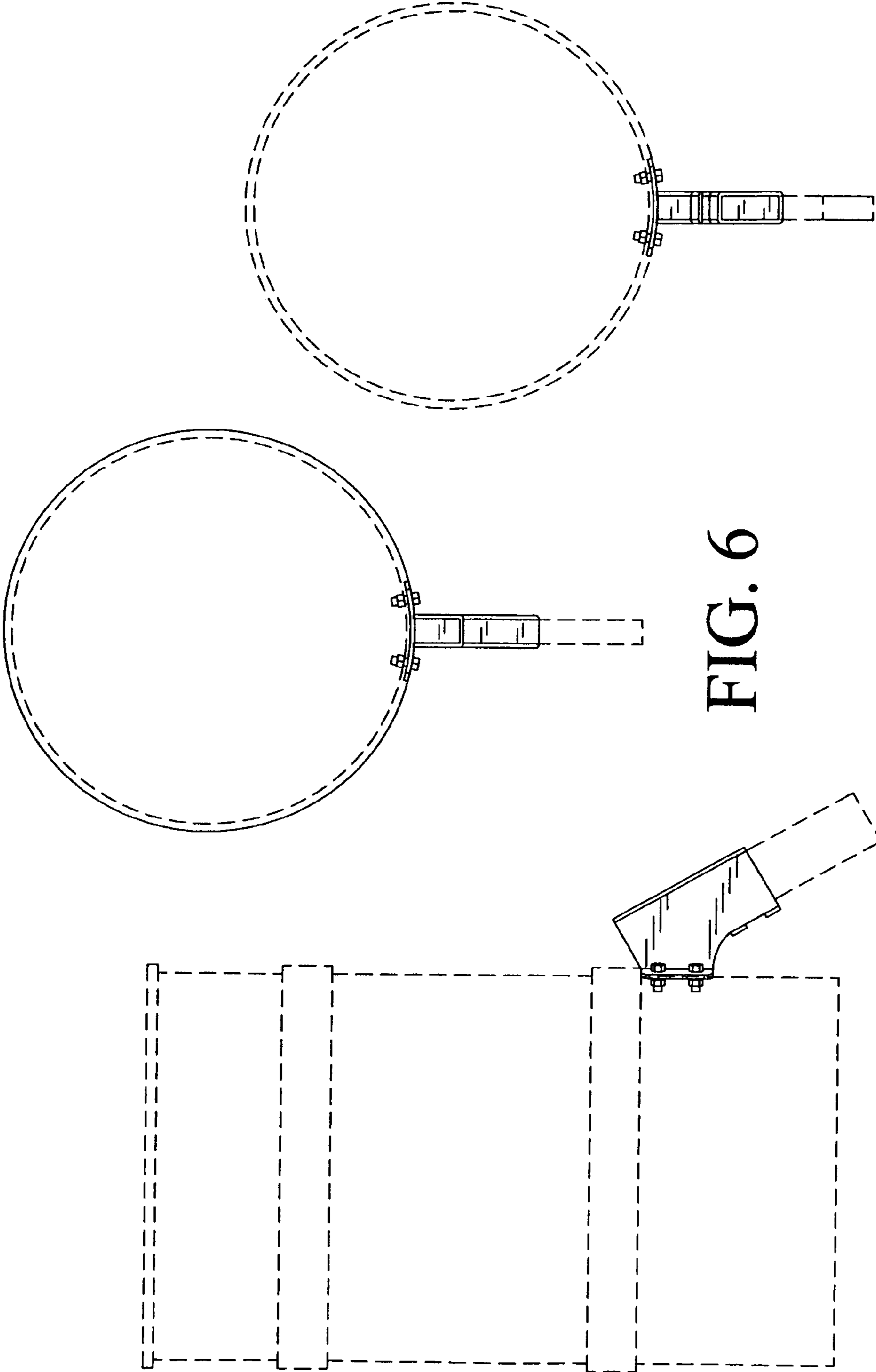


FIG. 6

FIG. 5

FIG. 7