



US00D551943S

(12) **United States Design Patent**  
**Hodjat et al.**

(10) **Patent No.:** **US D551,943 S**  
(45) **Date of Patent:** **\*\* Oct. 2, 2007**

(54) **DUAL-MASS DAMPER**

(75) Inventors: **Yahya Hodjat**, Oxford, MI (US); **Marc R. Cadarette**, London (CA); **Lin Zhu**, Rochester Hills, MI (US); **Shoukath M. Ali**, London (CA)

(73) Assignee: **The Gates Corporation**, Denver, CO (US)

(\*\*) Term: **14 Years**

(21) Appl. No.: **29/254,826**

(22) Filed: **Feb. 28, 2006**

(51) **LOC (8) Cl.** ..... **08-05**

(52) **U.S. Cl.** ..... **D8/349**

(58) **Field of Classification Search** ..... D8/360;  
D15/148, 149; D23/386; 29/892.1, 892.11,  
29/892.2, 892.3; 72/82; 474/94, 166, 168,  
474/169, 170, 174, 175, 177-184, 190, 902,  
474/903

See application file for complete search history.

(56) **References Cited**

**U.S. PATENT DOCUMENTS**

D308,013 S *	5/1990	Kanemitsu	.....	D8/360
D313,932 S *	1/1991	Kanemitsu	.....	D8/360
D378,744 S *	4/1997	Abrahamson et al.	.....	D10/96
D459,197 S *	6/2002	Hodjat	.....	D8/360

D459,198 S *	6/2002	Hodjat	.....	D8/360
D481,615 S *	11/2003	Hodjat et al.	.....	D8/360
D489,962 S *	5/2004	Hodjat et al.	.....	D8/360
D506,669 S *	6/2005	Hodjat et al.	.....	D8/360
D533,052 S *	12/2006	Hodjat et al.	.....	D8/360

\* cited by examiner

*Primary Examiner*—Antoine D. Davis

*Assistant Examiner*—Patricia Palasik

(74) *Attorney, Agent, or Firm*—J. A. Thurnau, Esq.; C. H. Castleman, Esq.; J. L. Mahurin, Esq.

(57) **CLAIM**

The ornamental design for a dual-mass damper, as shown and described.

**DESCRIPTION**

FIG. 1 is a front elevation view.

FIG. 2 is a cross-sectional view taken along line 2—2 of FIG. 1.

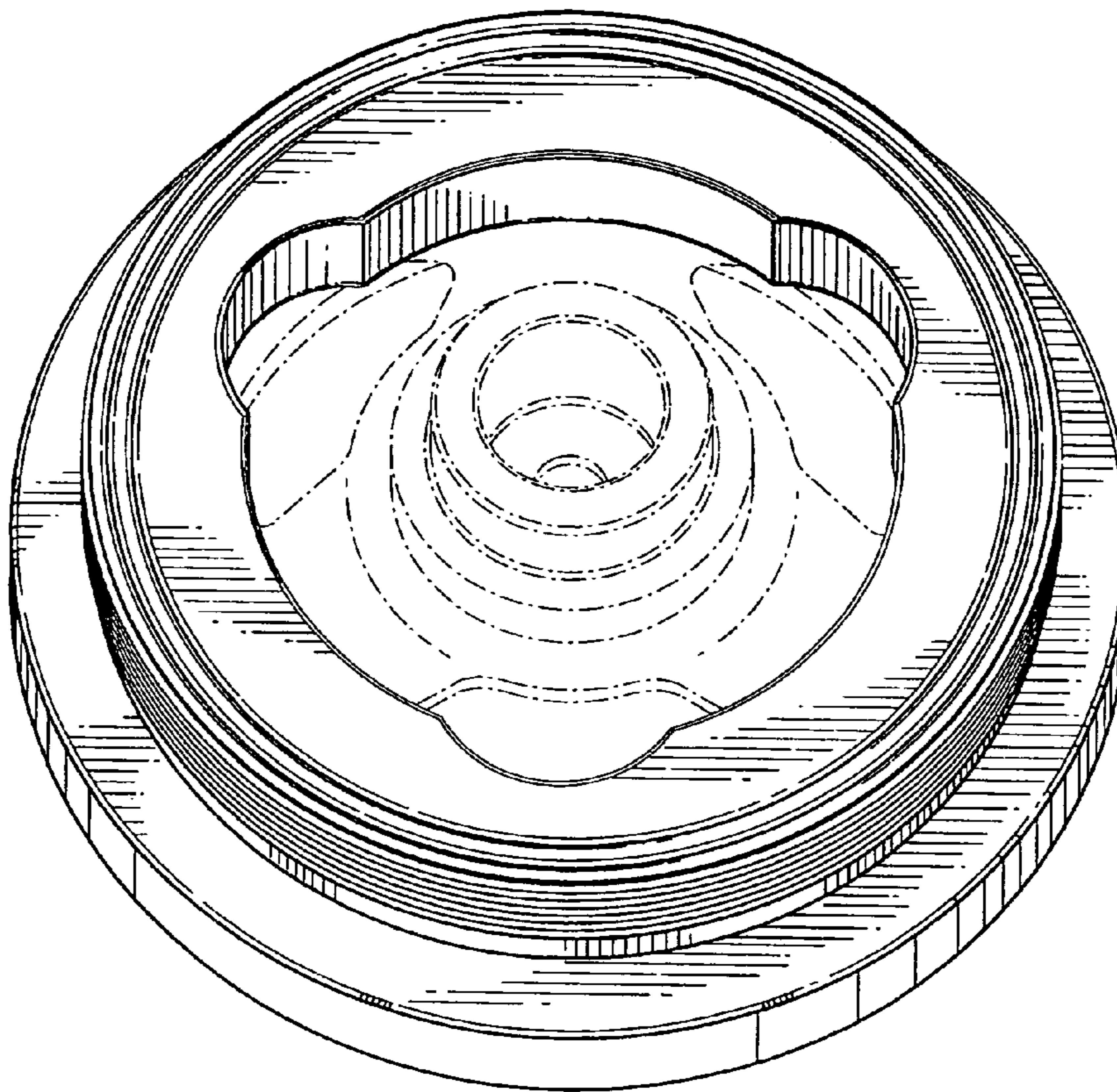
FIG. 3 is a rear elevation view.

FIG. 4 is a side view; and,

FIG. 5 is a front perspective view.

The broken line showing of the dual-mass damper is included for the purpose of illustrating portions of the dual-mass damper and forms no part of the claimed design.

**1 Claim, 3 Drawing Sheets**



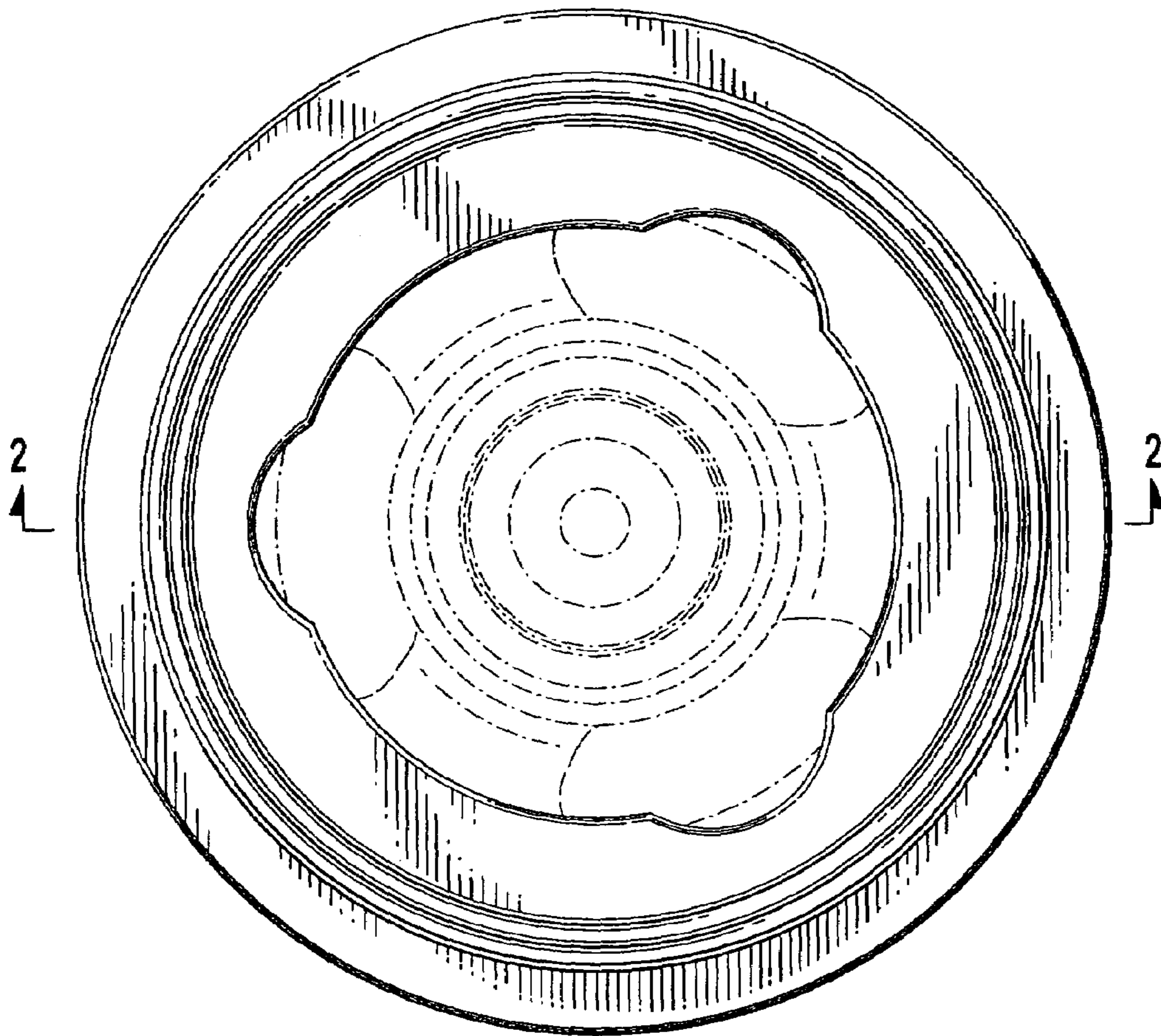


FIG.1

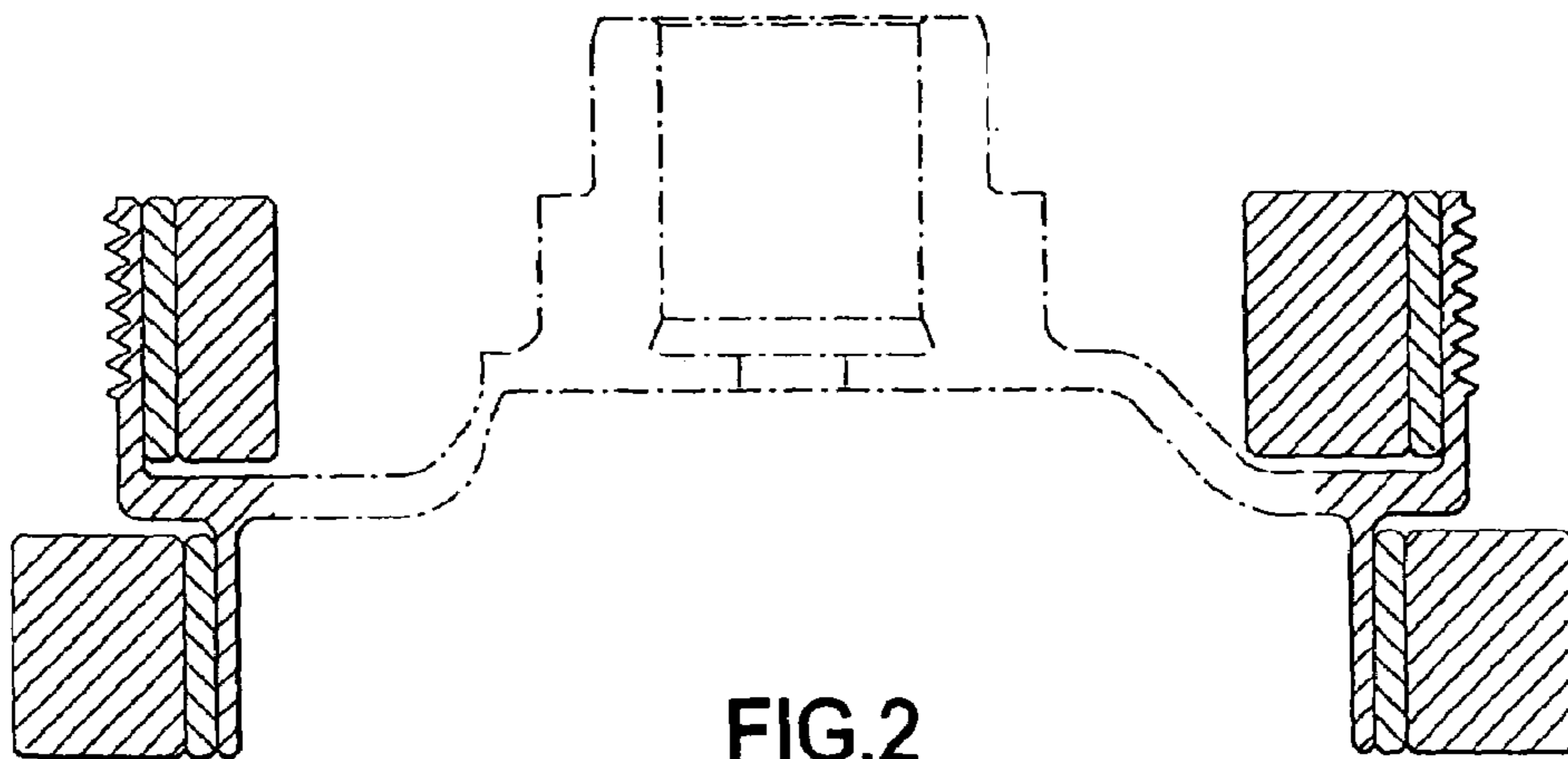


FIG.2

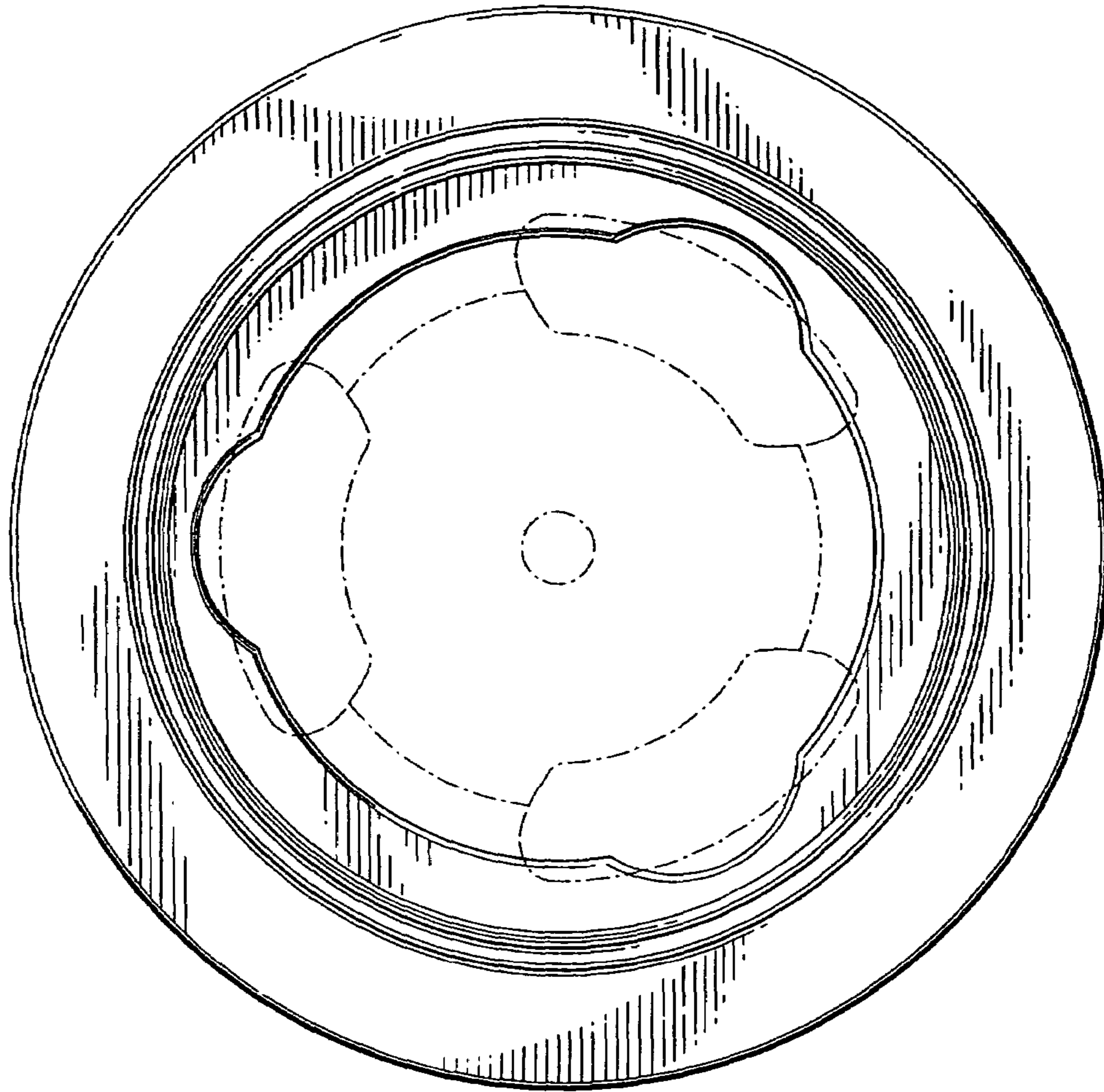


FIG. 3

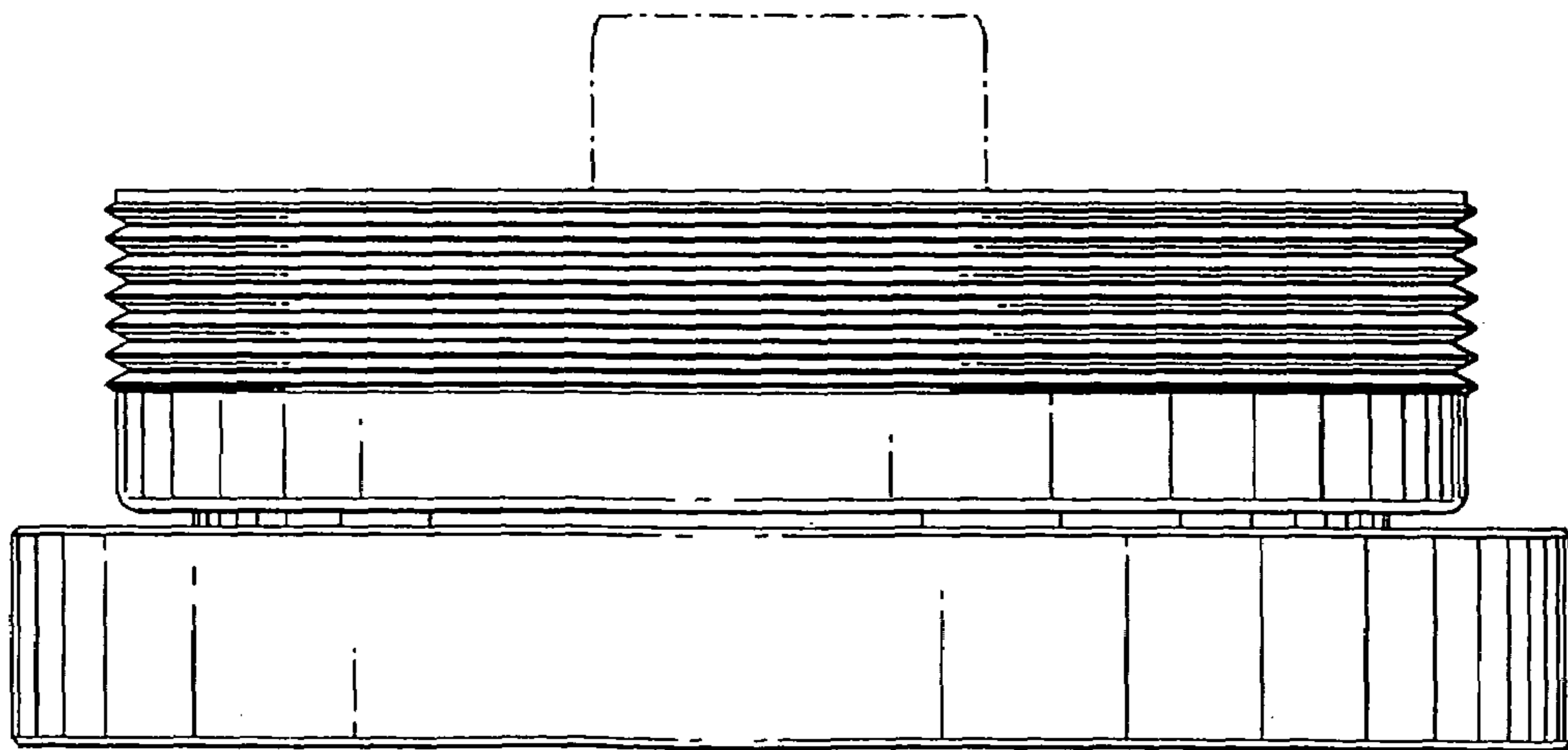


FIG. 4

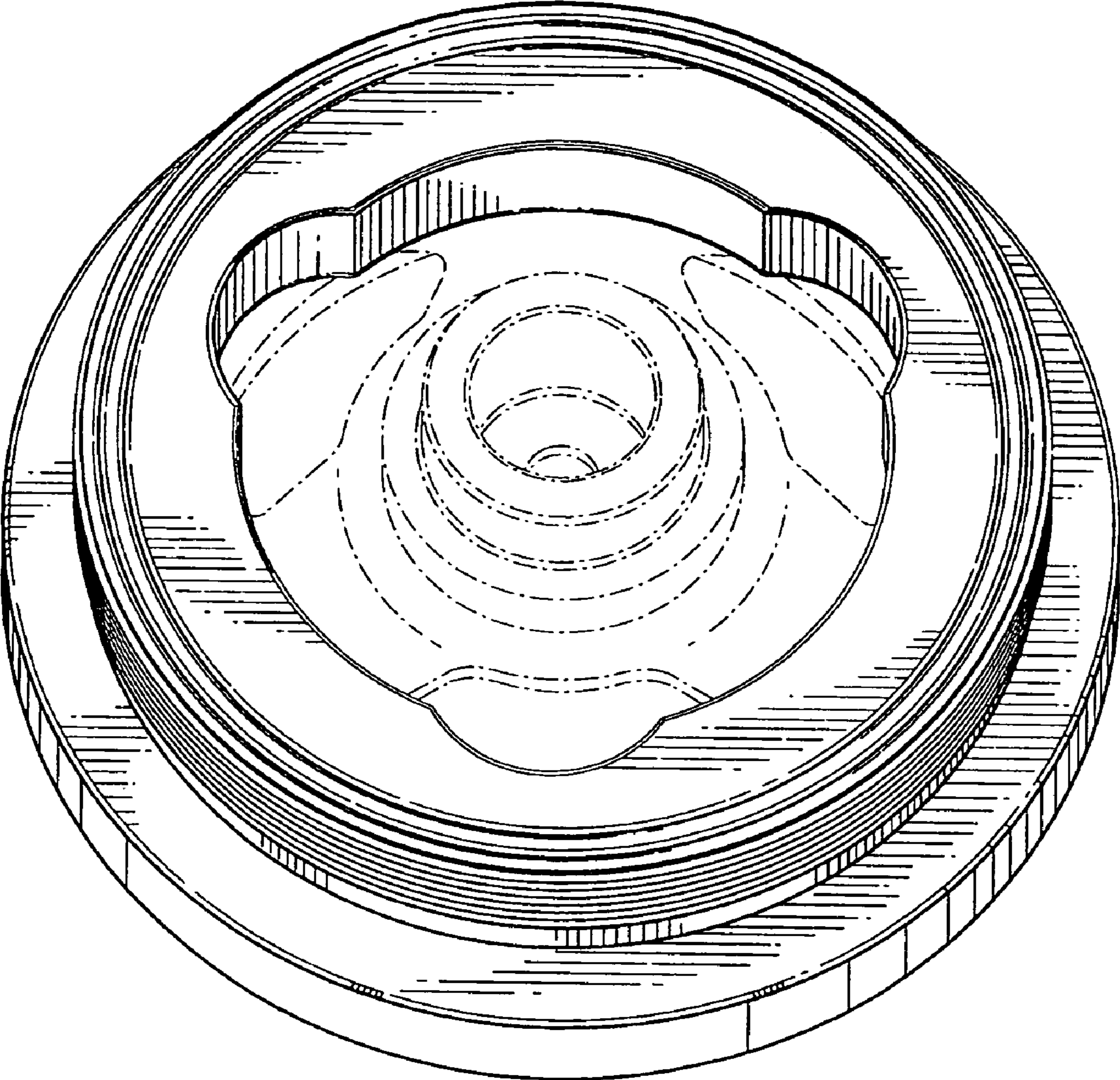


FIG.5