



US00D551942S

(12) **United States Design Patent**
Vetter et al.

(10) **Patent No.:** **US D551,942 S**

(45) **Date of Patent:** **** Oct. 2, 2007**

(54) **FOLDING HANDLE WITH NESTING COVER**

(75) Inventors: **Gregory J. Vetter**, Owatonna, MN
(US); **Alan L. Frank**, Owatonna, MN
(US); **Brian Dallmann**, Owatonna, MN
(US)

(73) Assignee: **Truth Hardware Corporation**,
Owatonna, MN (US)

(**) Term: **14 Years**

(21) Appl. No.: **29/253,161**

(22) Filed: **Feb. 1, 2006**

(51) **LOC (8) Cl.** **08-07**

(52) **U.S. Cl.** **D8/337**

(58) **Field of Classification Search** D8/330-348,
D8/306, 309, 400; 74/543, 547; 252/3,
252/336, 347, 356, 357, 710, DIG. 31, DIG. 33,
252/DIG. 20

See application file for complete search history.

(56) **References Cited**

U.S. PATENT DOCUMENTS

1,274,471 A	8/1918	Todd
2,355,932 A	8/1944	Walton
3,007,348 A	11/1961	Barnes
3,044,478 A	7/1962	Russell
D217,718 S	6/1970	Magers et al.
4,392,330 A	7/1983	Buhr
5,006,766 A	4/1991	Yuhas et al.
D331,531 S	12/1992	Guhl et al.
D347,569 S	6/1994	Vetter et al.
D350,666 S	9/1994	Wobschall et al.
5,400,473 A	3/1995	Delman
D360,357 S	7/1995	Peterson et al.
D361,490 S	8/1995	Vetter

5,467,503 A	11/1995	Nolte et al.
D365,513 S	12/1995	Vetter et al.
D369,741 S	5/1996	Harrison et al.
5,531,138 A	7/1996	Vetter
5,551,316 A	9/1996	Blank
D375,042 S	10/1996	Anderson et al.

(Continued)

Primary Examiner—Mitchell Siegel

(74) *Attorney, Agent, or Firm*—Patterson, Thunte, Skaar & Christensen, P.A.

(57) **CLAIM**

We claim the ornamental design for folding handle with nesting cover, as shown.

DESCRIPTION

FIG. 1 is a perspective view of a folding handle with nesting cover according to an embodiment of the invention with the folding handle positioned in a first position;

FIG. 2 is a perspective view of a folding handle with nesting cover according to an embodiment of the invention with the folding handle positioned in another position;

FIG. 3 is a top plan view of a folding handle with nesting cover according to an embodiment of the invention;

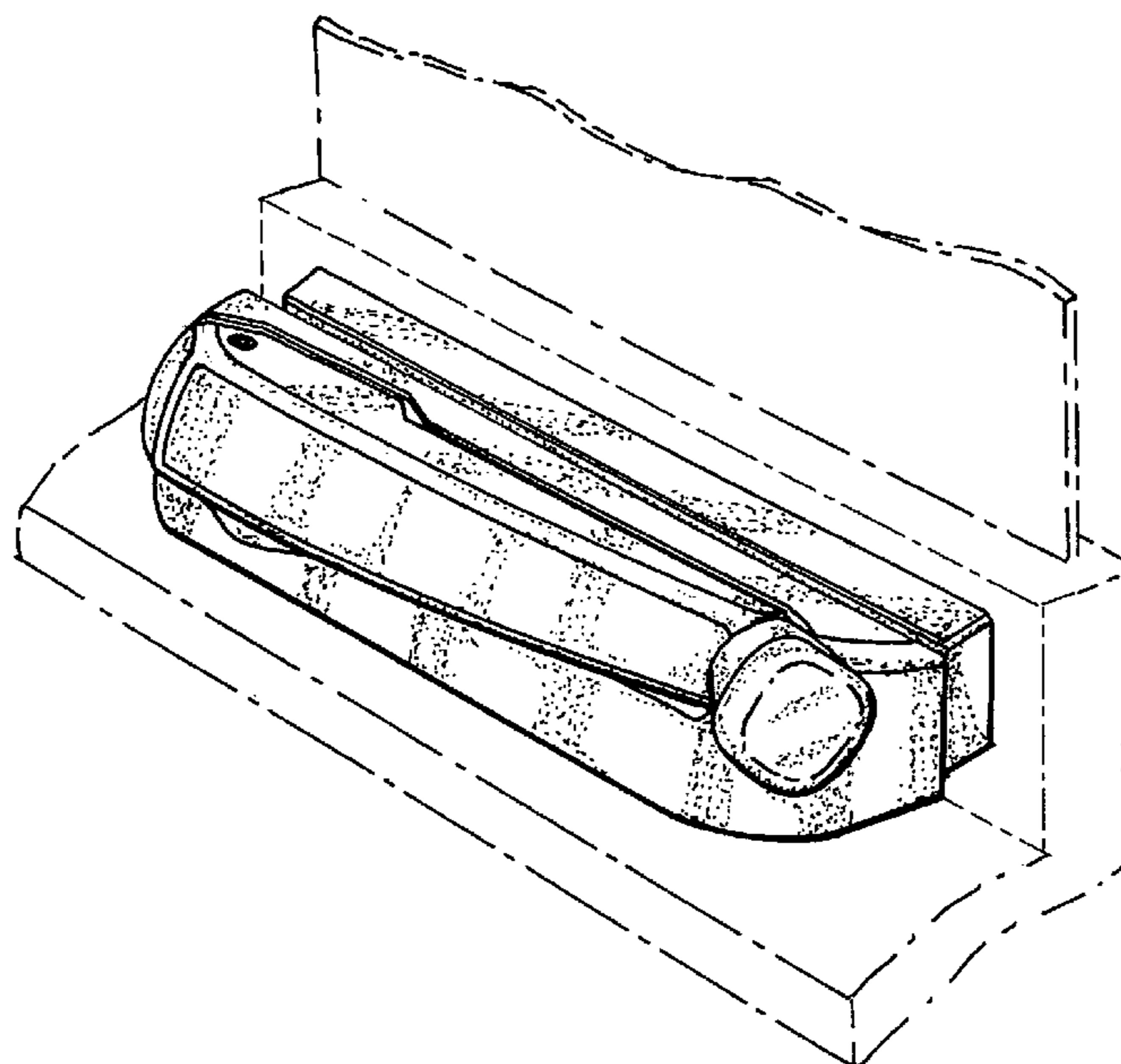
FIG. 4 is a front elevational view of a folding handle with nesting cover according to an embodiment of the invention;

FIG. 5 is a rear elevational view of a folding handle with nesting cover according to an embodiment of the invention;

FIG. 6 is a side elevational view of a folding handle with nesting cover according to an embodiment of the invention; and,

FIG. 7 is a side elevational view of a folding handle with nesting cover according to an embodiment of the invention.

1 Claim, 2 Drawing Sheets



US D551,942 S

Page 2

U.S. PATENT DOCUMENTS

5,560,082 A	10/1996	Vetter	6,164,156 A	12/2000	Purcell
D375,254 S	11/1996	Anderson et al.	6,174,005 B1	1/2001	Norton
D375,445 S	11/1996	Harrison et al.	6,227,581 B1	5/2001	Lambert
D375,674 S	11/1996	Anderson et al.	D450,237 S	11/2001	Vande Steeg et al.
D376,099 S	12/1996	Orf et al.	D451,781 S	12/2001	Vande Steeg et al.
5,620,213 A	4/1997	Ellis	D452,999 S	1/2002	Vande Steeg et al.
D379,917 S	6/1997	Vetter et al.	D459,193 S	6/2002	Vande Steeg et al.
D390,454 S	2/1998	Vetter et al.	D459,982 S	7/2002	Vande Steeg et al.
D390,777 S	2/1998	Peterson et al.	D476,882 S	7/2003	Gledhill et al.
5,740,632 A	4/1998	Peterson et al.	6,640,389 B2	11/2003	Van Klompenburg et al.
5,765,308 A	6/1998	Anderson et al.	D484,787 S *	1/2004	Huml D8/400
5,813,171 A	9/1998	Piltingsrud	D494,850 S	8/2004	Braun et al.
D408,274 S	4/1999	Vetter et al.	D506,127 S *	6/2005	Vetter et al. D8/400
D408,729 S	4/1999	Virkler et al.	D521,847 S *	5/2006	Vetter et al. D8/309
5,937,582 A	8/1999	Taylor	D522,837 S *	6/2006	Vetter et al. D8/306
D418,050 S	12/1999	Lisiecki et al.	D533,446 S *	12/2006	Vetter D8/400
D421,209 S	2/2000	Buckland	D537,335 S *	2/2007	Vetter et al. D8/400
6,039,363 A	3/2000	Sugimura et al.			

* cited by examiner

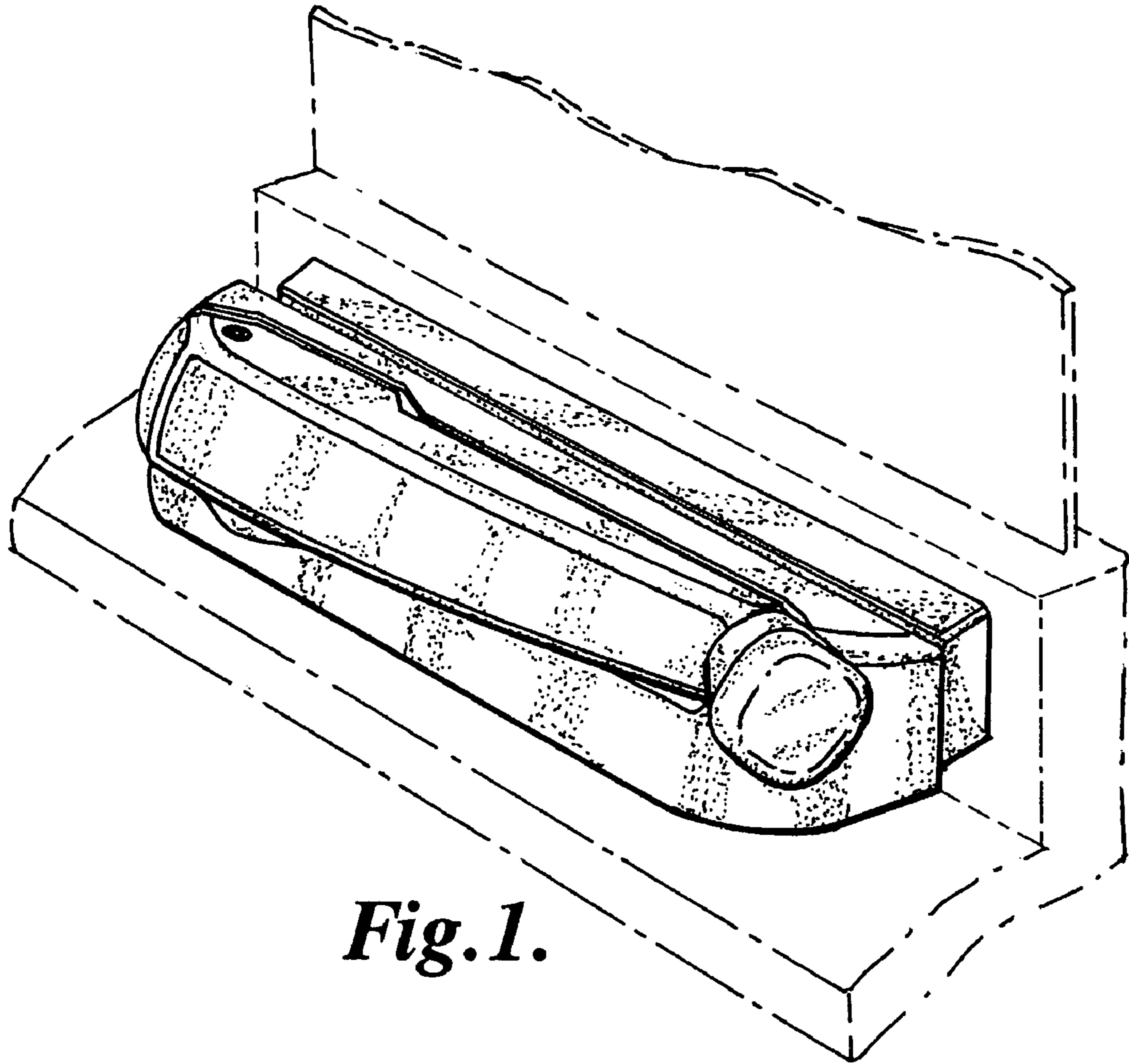


Fig. 1.

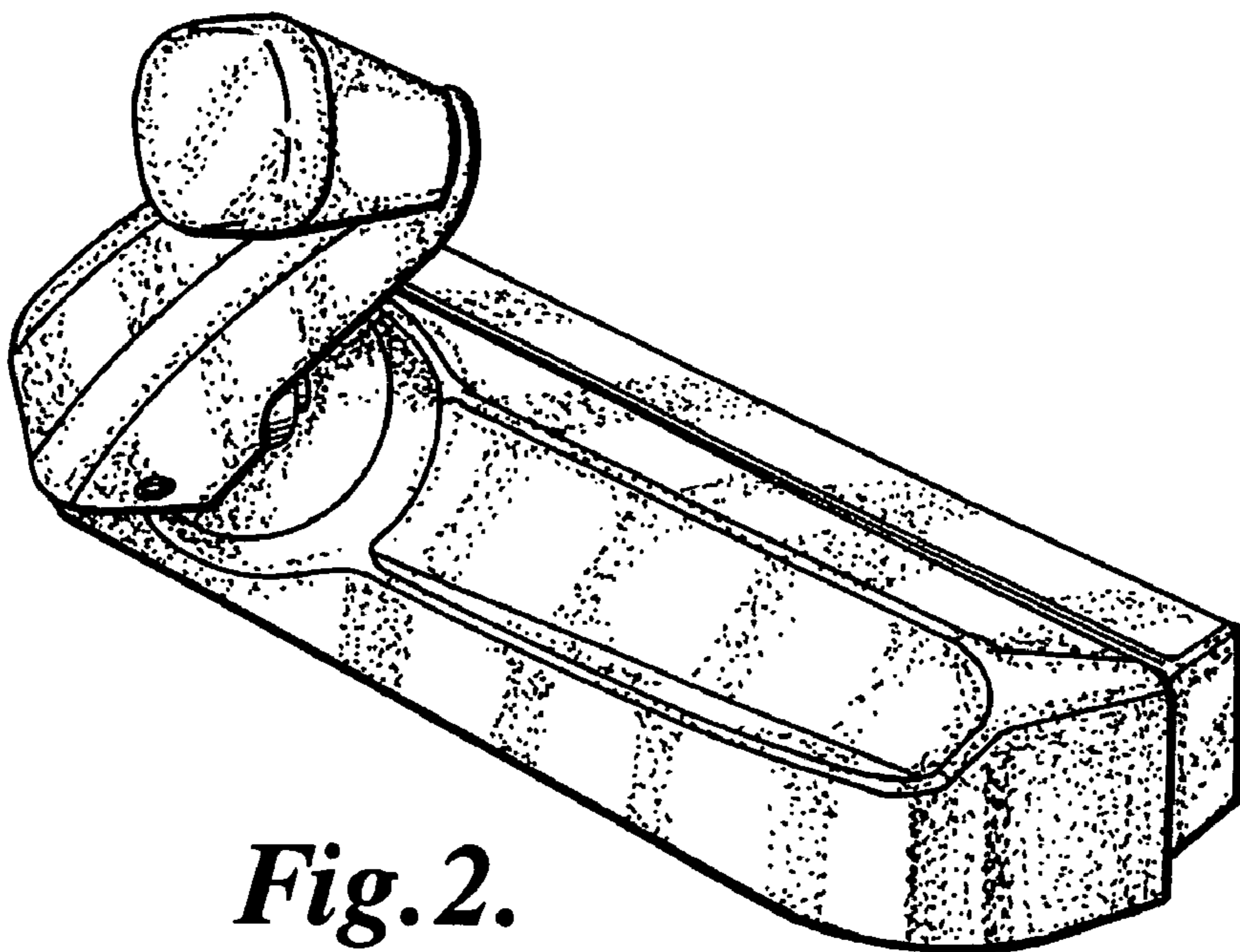


Fig. 2.

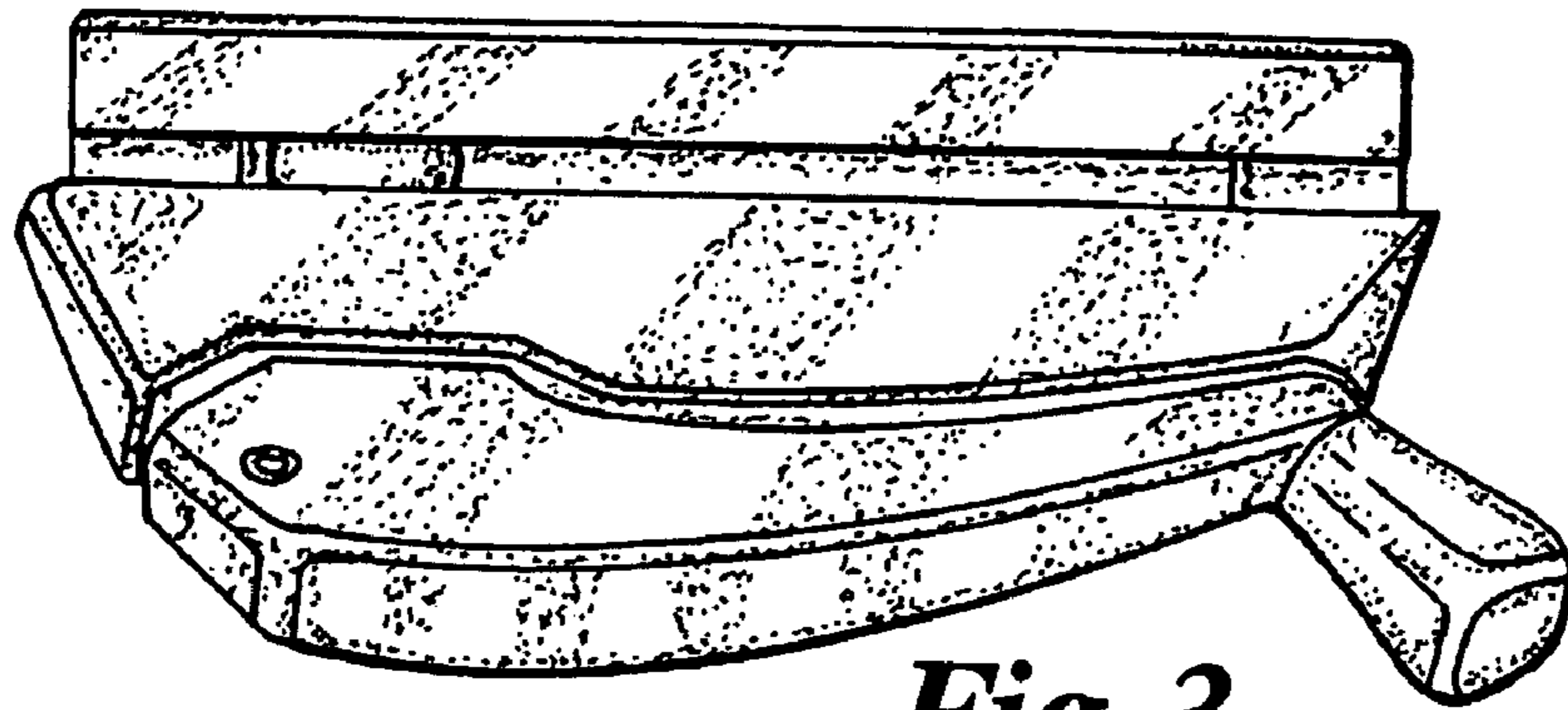


Fig. 3.

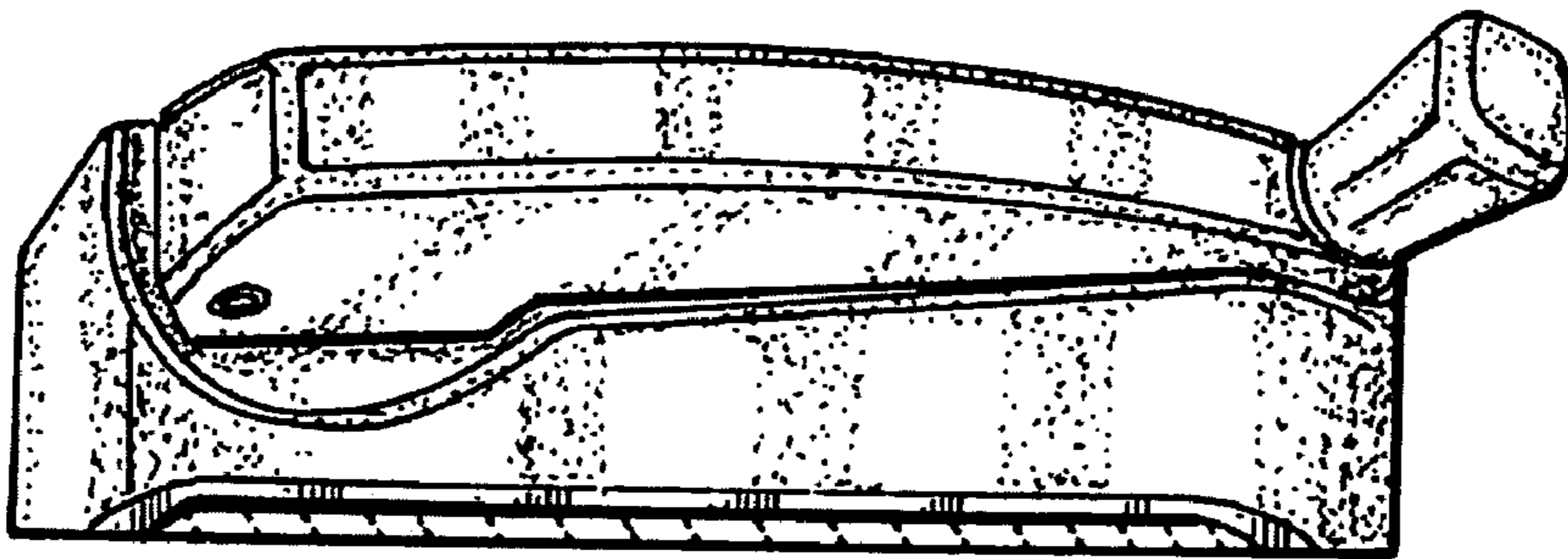


Fig. 4.

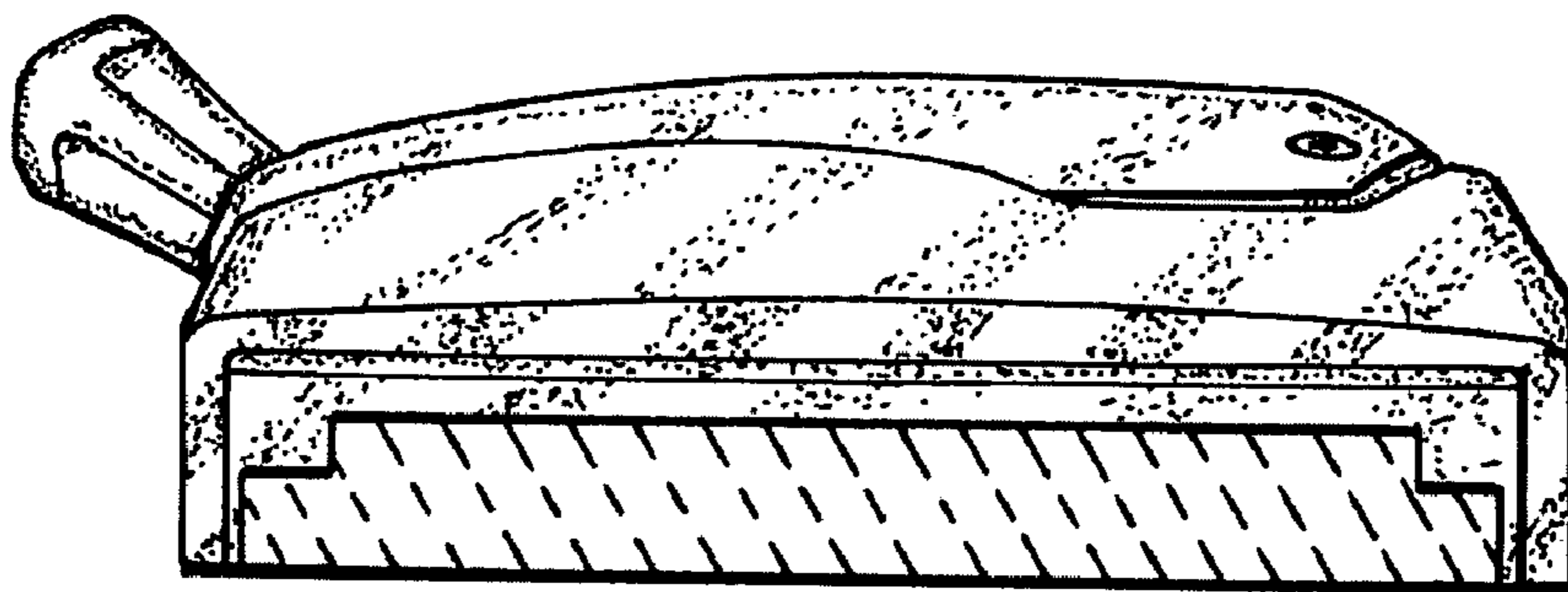


Fig. 5.

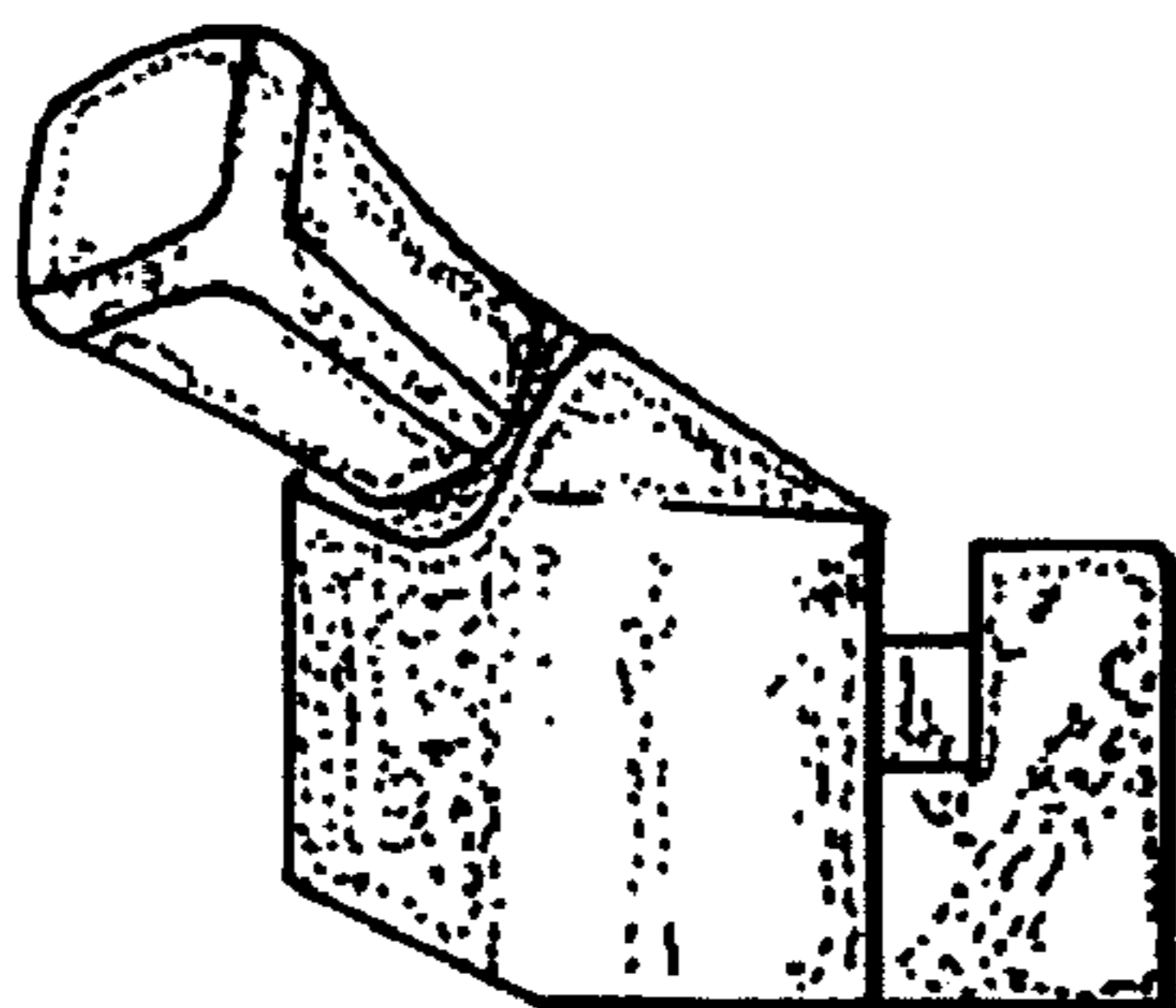


Fig. 6.

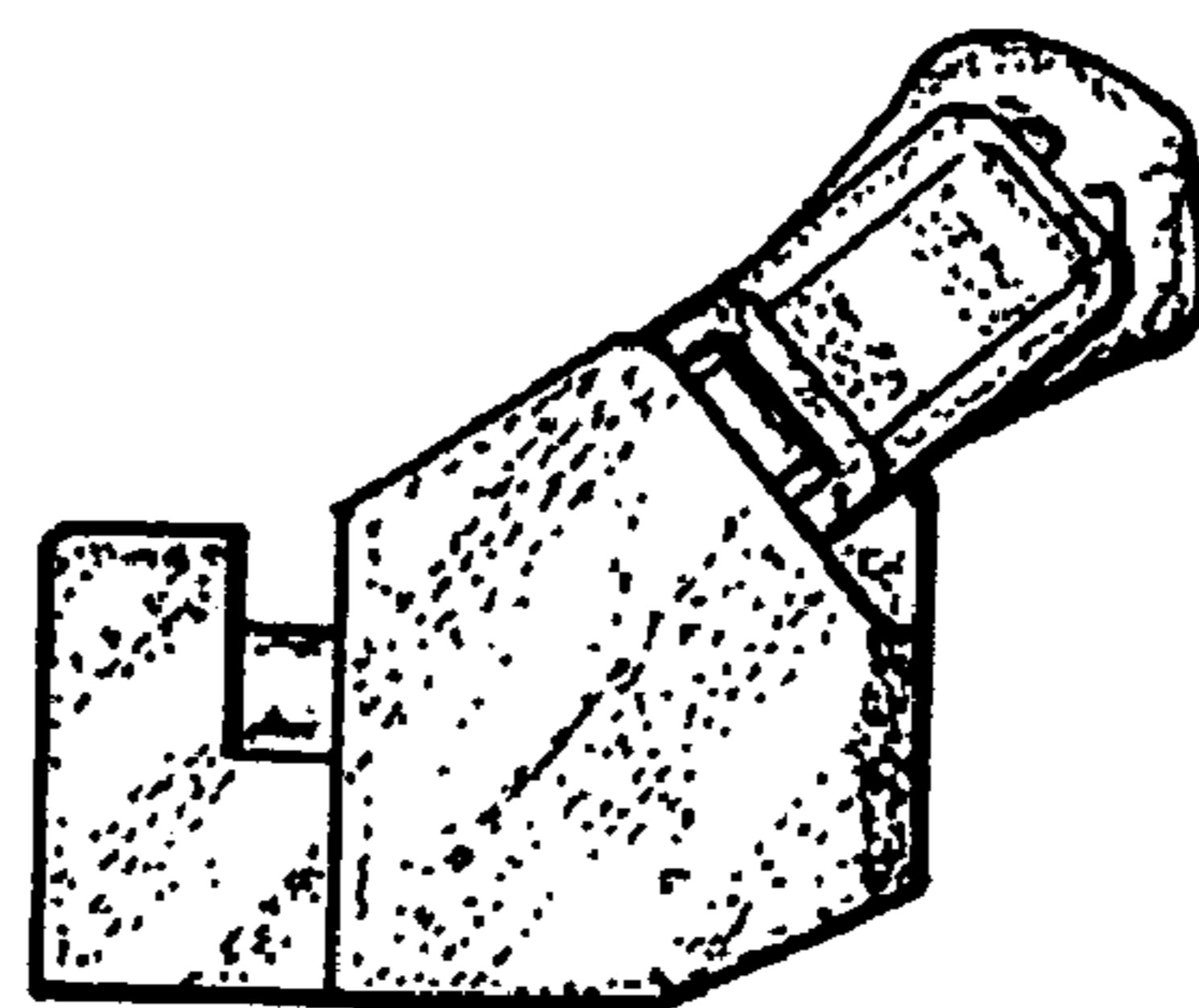


Fig. 7.